



US00D822847S

(12) **United States Design Patent** (10) **Patent No.:** **US D822,847 S**
Boo et al. (45) **Date of Patent:** **** Jul. 10, 2018**

(54) **THERMAL CYCLER HOUSING**

(71) Applicant: **LIFE TECHNOLOGIES CORPORATION**, Carlsbad, CA (US)

(72) Inventors: **Kuan Moon Boo**, Singapore (SG); **Way Xuang Lee**, Singapore (SG); **Wuh Ken Loh**, Singapore (SG); **Zeqi Tan**, Singapore (SG); **Sandro Klein**, Irvine, CA (US)

(73) Assignee: **LIFE TECHNOLOGIES CORPORATION**, Carlsbad, CA (US)

D653,764 S 2/2012 MacEmon et al.
D665,917 S 8/2012 Termaat et al.
D685,499 S * 7/2013 Kimura D24/232
D718,473 S 11/2014 Benarieh et al.
D733,917 S 7/2015 Klein et al.
D774,206 S 12/2016 Boo et al.
2003/0182199 A1 9/2003 Kwang-II
2010/0124766 A1* 5/2010 Ng C12Q 1/686
435/91.2
2013/0308990 A1 11/2013 Samei et al.
2015/0231636 A1 8/2015 Lim et al.
2016/0361719 A1* 12/2016 Courtney B01L 3/50851

(**) Term: **15 Years**

(21) Appl. No.: **29/585,174**

(22) Filed: **Nov. 21, 2016**

Related U.S. Application Data

(62) Division of application No. 29/552,491, filed on Jan. 22, 2016, now Pat. No. Des. 774,206.

(51) **LOC (11) Cl.** **24-01**

(52) **U.S. Cl.**
USPC **D24/232**

(58) **Field of Classification Search**
USPC D24/107, 169, 185, 186, 216-219,
D24/231-234; D10/81
CPC G01N 2030/027; G01N 21/6428; G01N
21/645; G01N 2201/068; C12Q 1/686;
B01L 7/52
See application file for complete search history.

(56) **References Cited**

U.S. PATENT DOCUMENTS

5,525,300 A * 6/1996 Danssaert B01L 7/52
422/552
D645,979 S * 9/2011 Oonuma D24/232

* cited by examiner
Primary Examiner — Anhdao Doan

(57) **CLAIM**

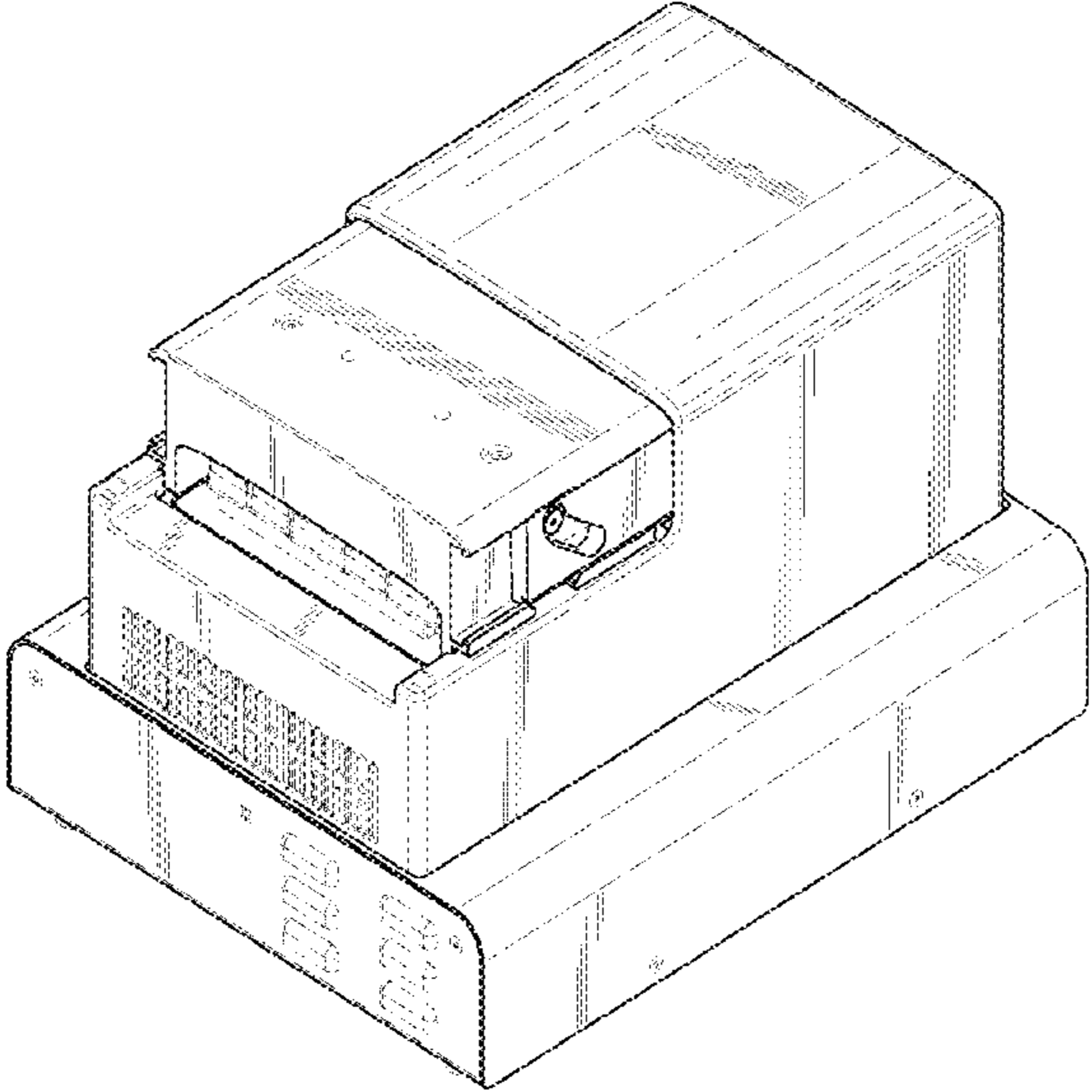
The ornamental design for a thermal cycler housing, as shown and described.

DESCRIPTION

FIG. 1 is a front perspective view of a thermal cycler housing of our new design;
FIG. 2 is a front view thereof;
FIG. 3 is a rear view thereof;
FIG. 4 is a right side view thereof;
FIG. 5 is a left side view thereof;
FIG. 6 is a top view thereof; and,
FIG. 7 is a bottom view thereof.

The broken lines immediately adjacent the shaded areas represent the bounds of the claim, while all other broken lines are directed to environment and are for illustrative purposes only; the broken lines form no part of the claimed design.

1 Claim, 7 Drawing Sheets



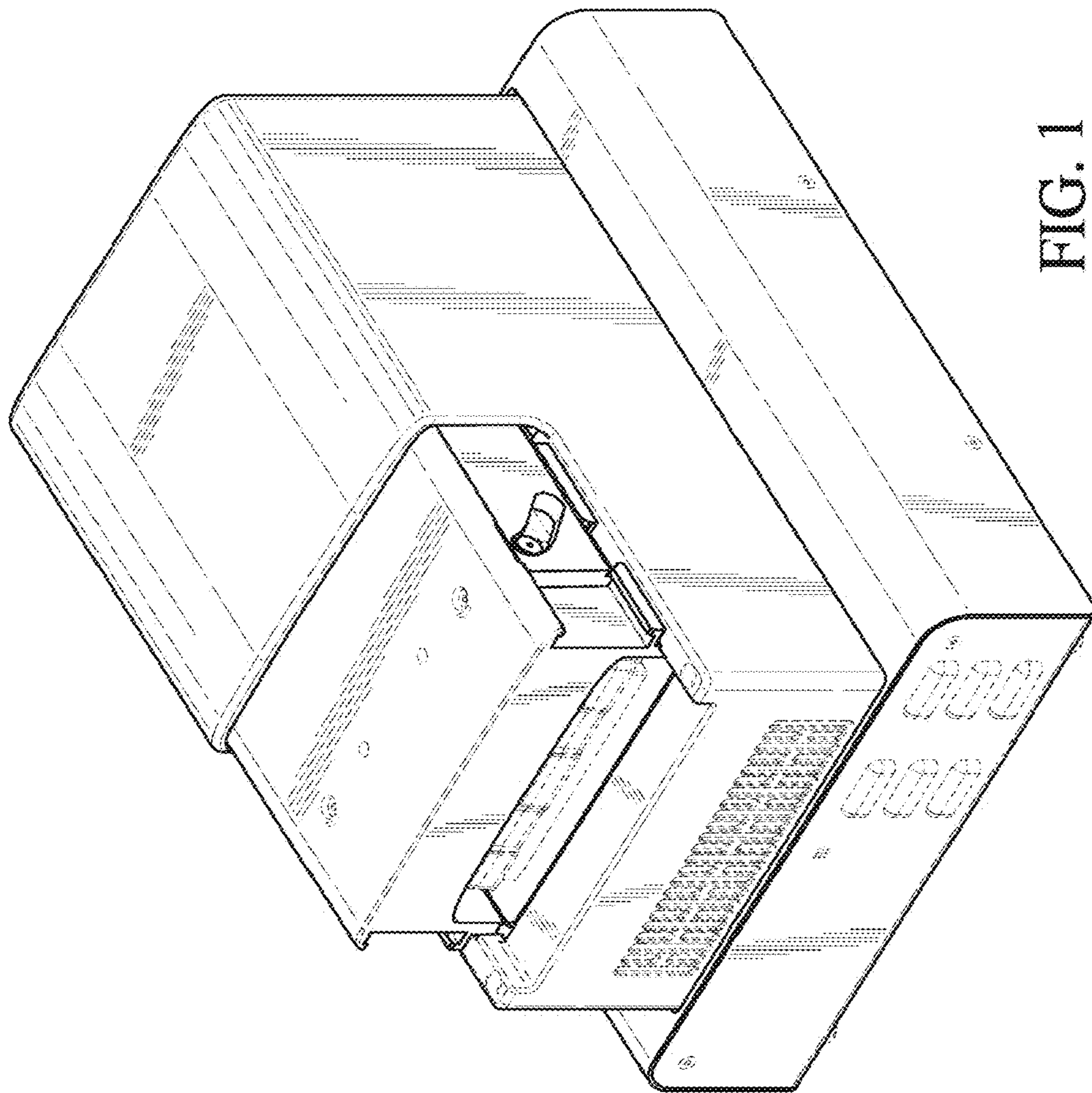


FIG. 1

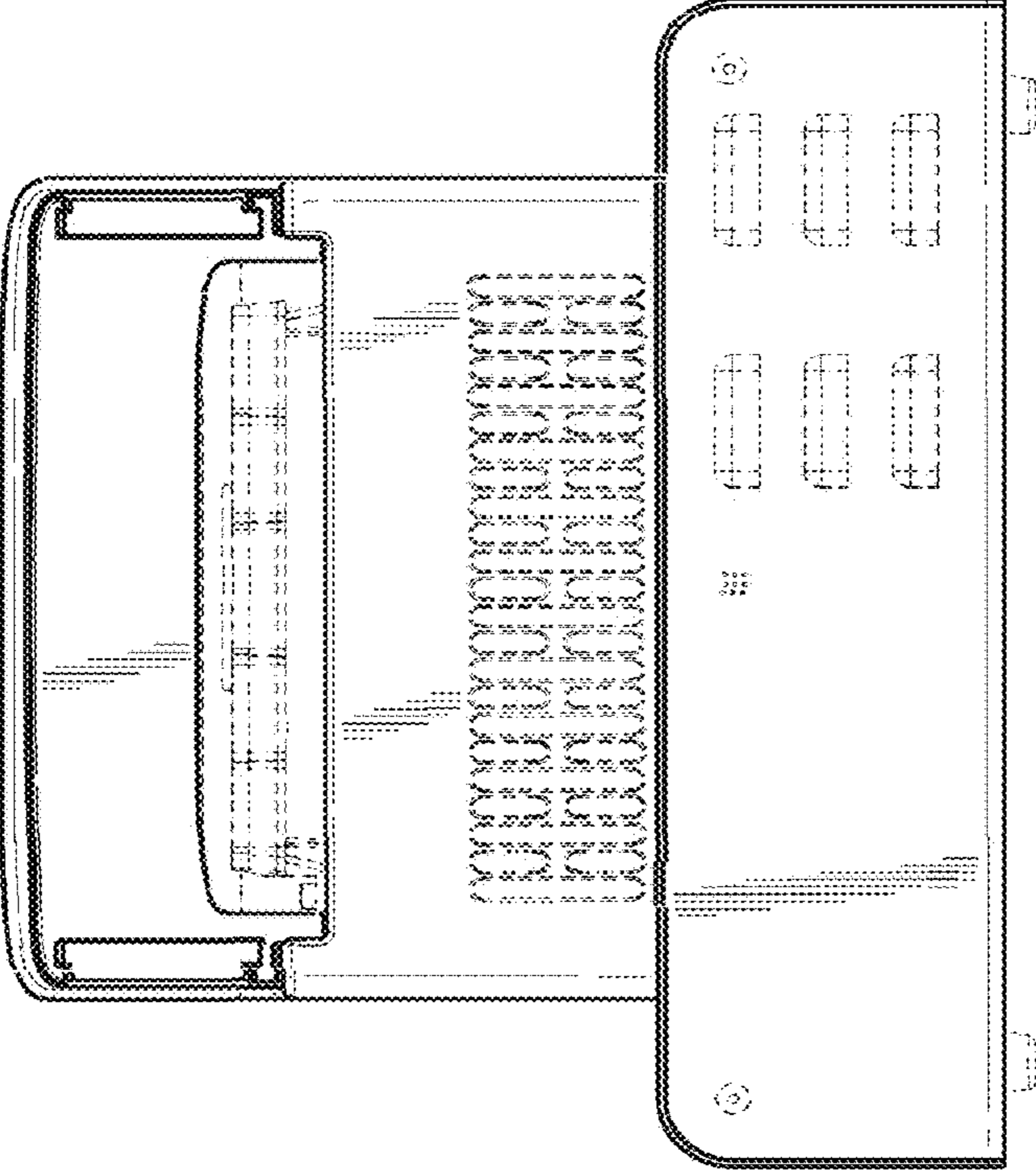


FIG. 2

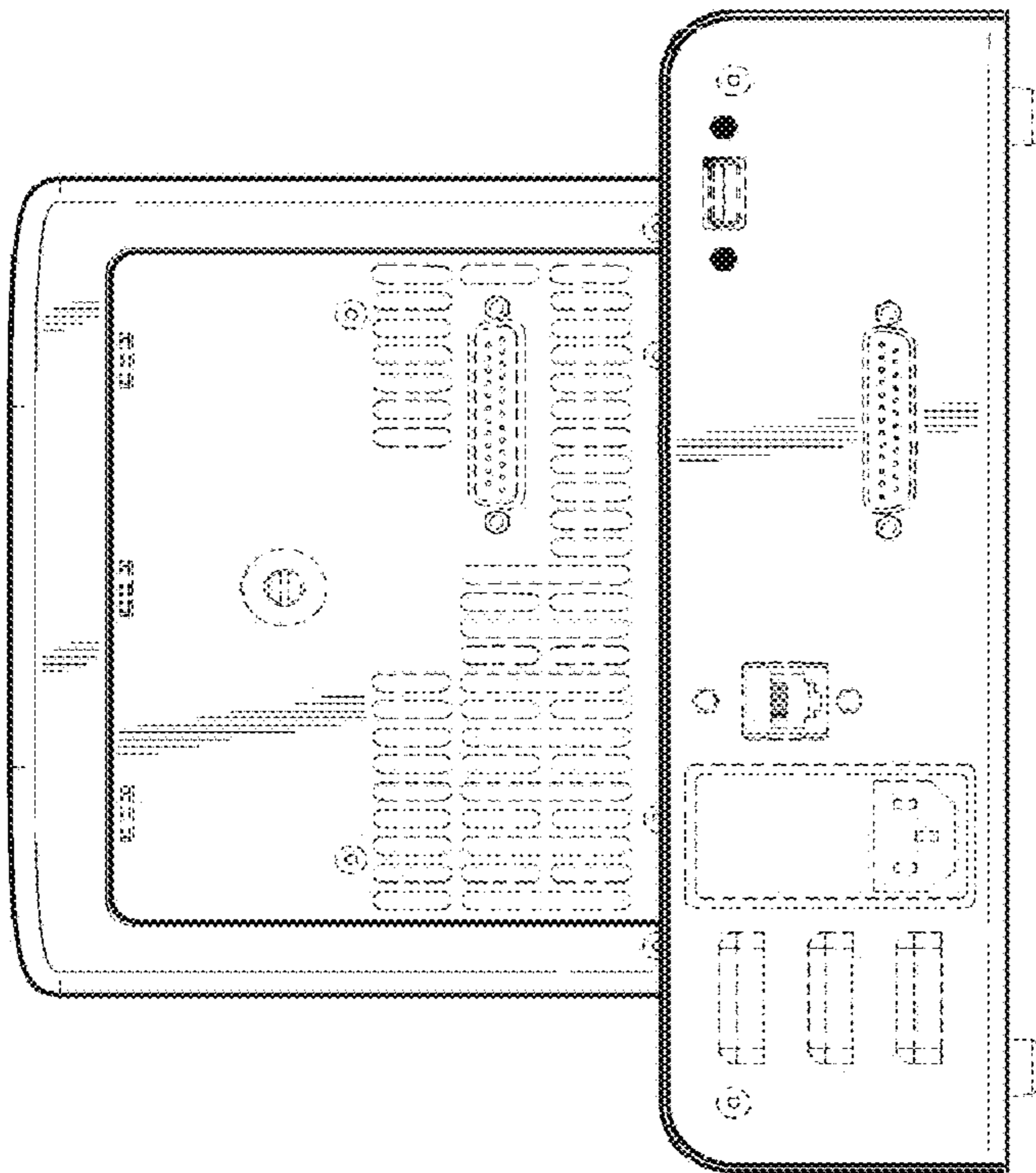


FIG. 3

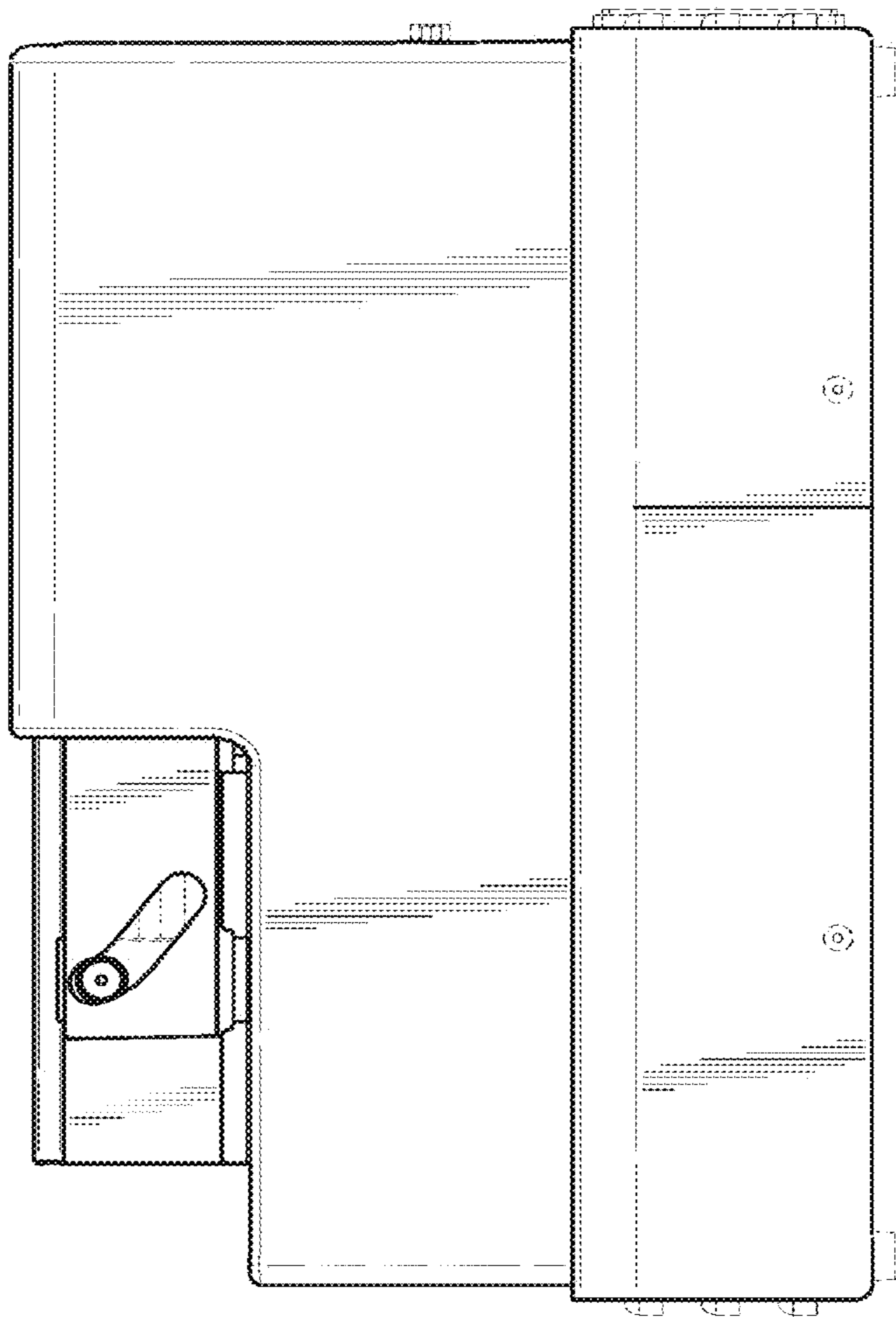


FIG. 4

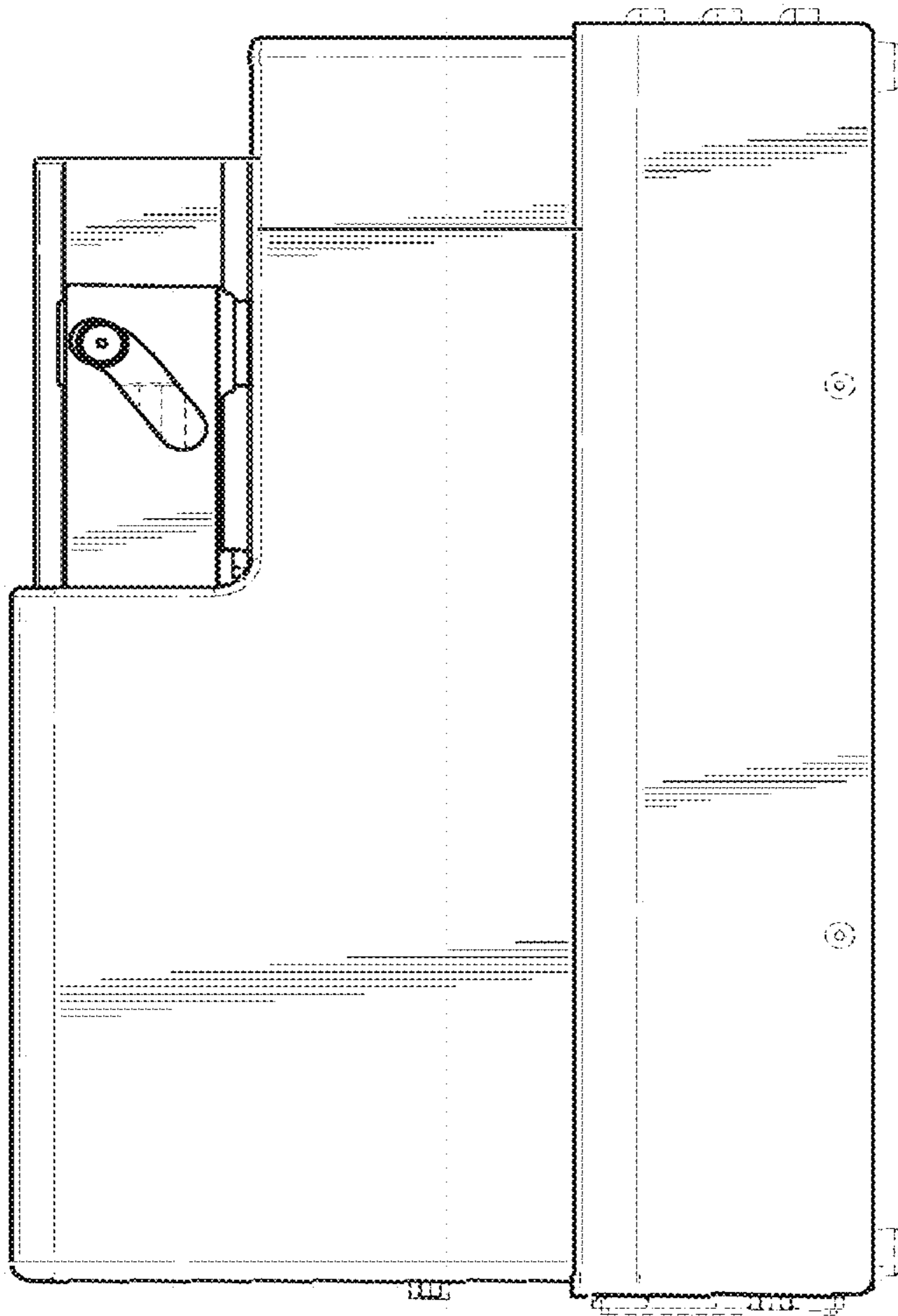


FIG. 5

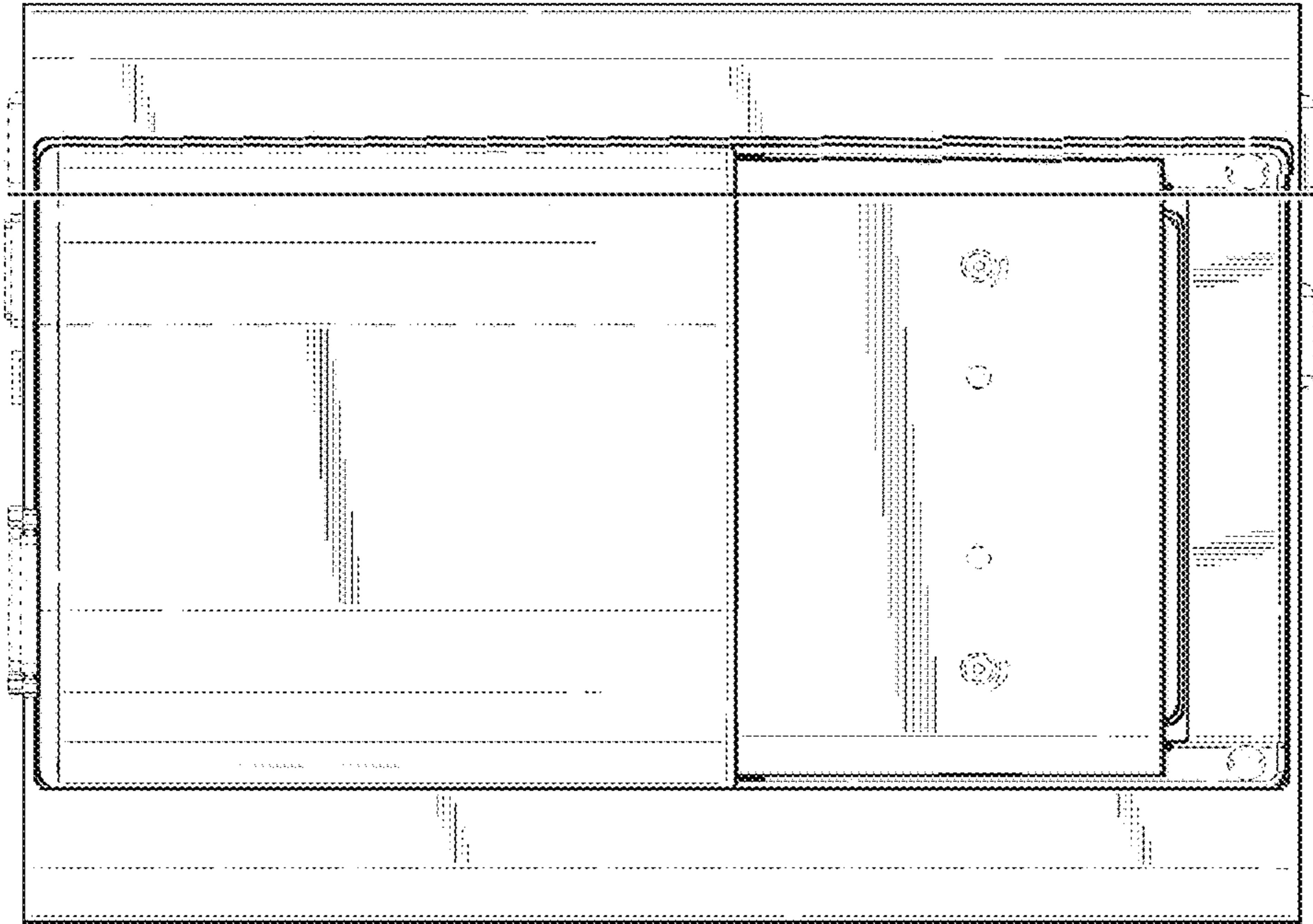


FIG. 6

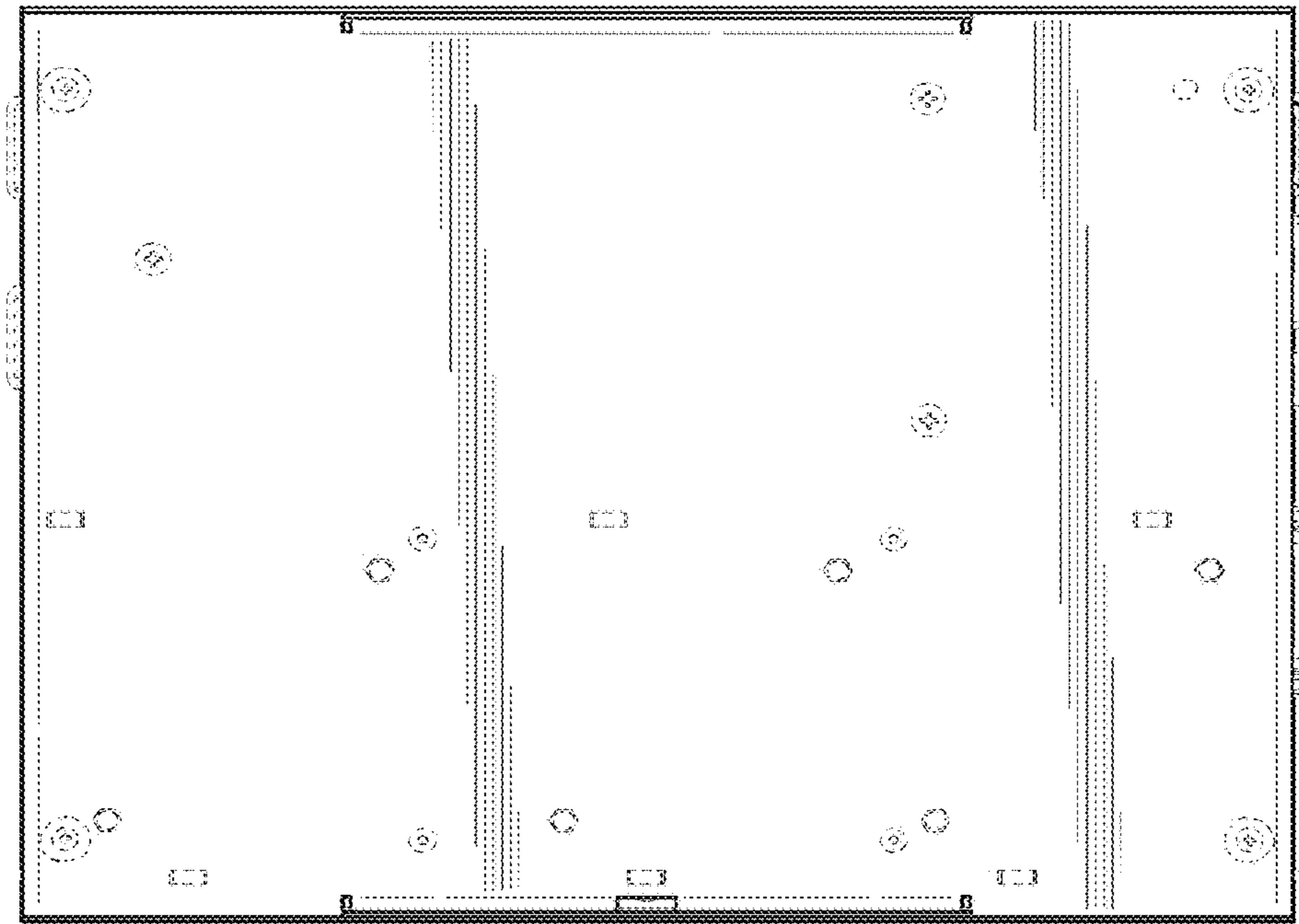


FIG. 7