



US00D822846S

(12) **United States Design Patent**
Shimobayashi et al.

(10) **Patent No.:** **US D822,846 S**
(45) **Date of Patent:** **** Jul. 10, 2018**

(54) **MEDICAL CLEANING AND DISINFECTION APPARATUS**

D433,147 S * 10/2000 Florkey D24/217
D711,605 S * 8/2014 Jo D32/25
2008/0115814 A1 * 5/2008 Hasegawa A61B 1/123
134/56 R

(71) Applicant: **OLYMPUS CORPORATION**, Tokyo (JP)

(Continued)

(72) Inventors: **Koji Shimobayashi**, Tokyo (JP);
Chikayoshi Meguro, Tokyo (JP);
Hiromasa Akahori, Tokyo (JP)

OTHER PUBLICATIONS

2014 Endoscope Product Spotlights, posted at hponline.com, Nov. 2014 issue, [online], [site visited Nov. 14, 2017]. Available from Internet: URL:https://www.hponline.com/inside/2014-11/411-EndoSpots.html.*

(Continued)

(73) Assignee: **OLYMPUS CORPORATION**, Tokyo (JP)

(**) Term: **15 Years**

Primary Examiner — Anhdao Doan
Assistant Examiner — Mary Malley

(21) Appl. No.: **29/579,015**

(74) *Attorney, Agent, or Firm* — Scully, Scott, Murphy & Presser, P.C.

(22) Filed: **Sep. 27, 2016**

(57) **CLAIM**

(30) **Foreign Application Priority Data**

The ornamental design for a medical cleaning and disinfection apparatus, as shown and described.

Mar. 28, 2016 (JP) 2016-006700

DESCRIPTION

(51) **LOC (11) Cl.** **24-01**

(52) **U.S. Cl.**
USPC **D24/217**

(58) **Field of Classification Search**
USPC D24/216–218, 227–232; D32/1, 25
CPC A61L 2/26; A61L 2/24; A61L 2/17; A61L 2/18; A61L 2/025; A61L 2202/122; A61L 2202/10; A61L 2202/11; A61L 2202/14; A61L 2202/23; A61L 2202/24; A61L 2202/182; A61B 1/123; A61B 2090/701
See application file for complete search history.

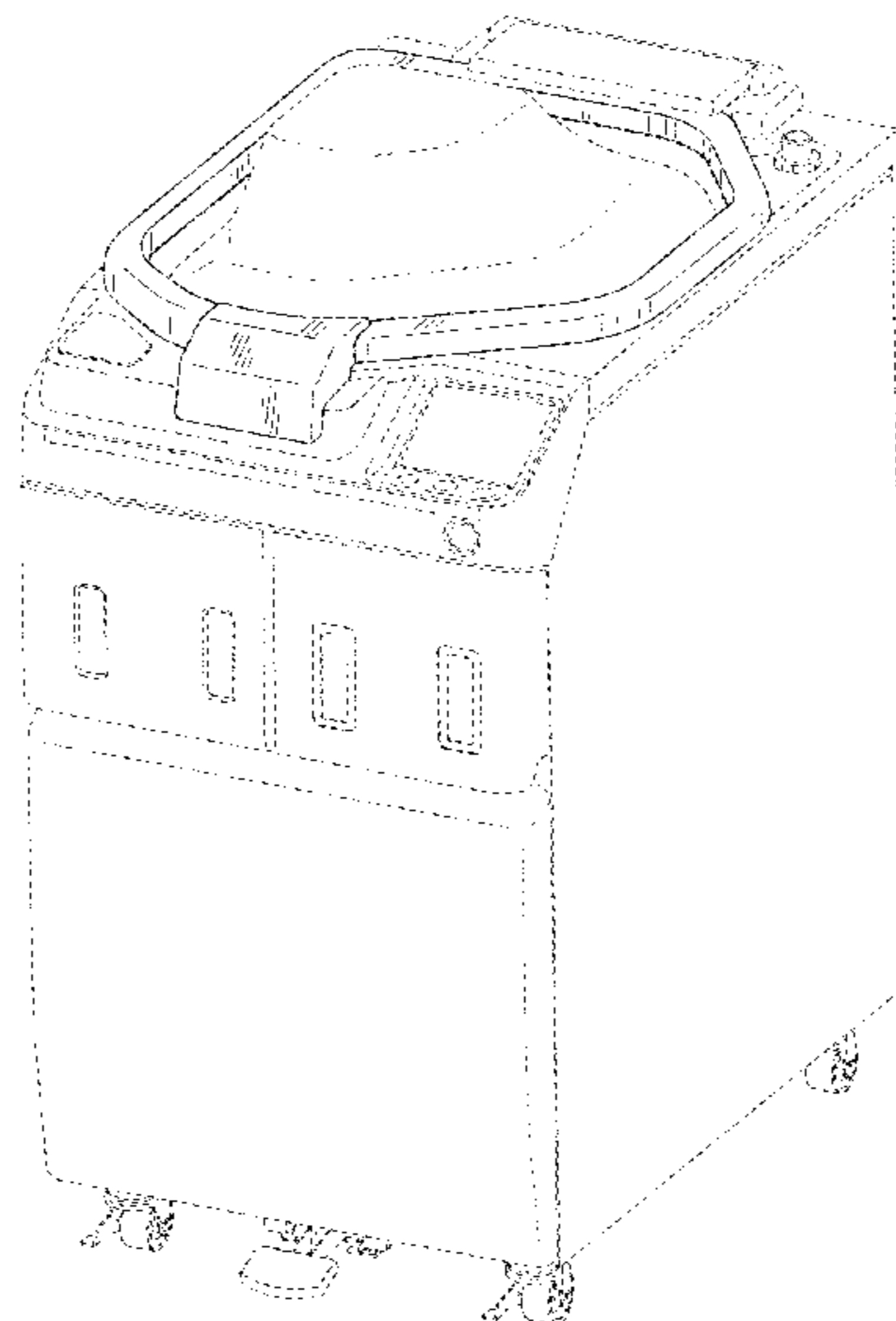
FIG. 1 is a perspective view of a medical cleaning and disinfection apparatus showing our new design;
FIG. 2 is a front view thereof;
FIG. 3 is a rear view thereof;
FIG. 4 is a top view thereof;
FIG. 5 is a bottom view thereof;
FIG. 6 is a left side view thereof;
FIG. 7 is a right side view thereof;
FIG. 8 is an enlarged sectional view, taken along line 8-8 in FIG. 2 of the portion thereof indicated by line a-a in FIG. 7; and,
FIG. 9 is an enlarged sectional view, taken along line 9-9 in FIG. 4 of the portion thereof indicated by line b-b in FIG. 2. The broken lines show portions of the medical cleaning and disinfection apparatus that form no part of the claimed design.

(56) **References Cited**

U.S. PATENT DOCUMENTS

4,489,741 A * 12/1984 Ogasawara A61B 1/123
134/179
D313,679 S * 1/1991 Sakamoto D32/6

1 Claim, 8 Drawing Sheets



(56)

References Cited

U.S. PATENT DOCUMENTS

2008/0271270 A1* 11/2008 Sawada A61B 90/70
15/1
2014/0256025 A1* 9/2014 Esquenet C11D 3/38645
435/264
2014/0326282 A1* 11/2014 Kawachi A61B 19/34
134/99.1
2016/0302654 A1* 10/2016 Ogawa B08B 3/102
2017/0036253 A1* 2/2017 Lukac A61L 2/0029

OTHER PUBLICATIONS

Olympus Endoscope Reprocessing With OER-Pro, posted at youtube.com, posted on Feb. 12, 2016, [online], [site visited Nov. 15, 2017]. Available from Internet: URL:<https://www.youtube.com/watch?v=WZqzinekS2M>.*

* cited by examiner

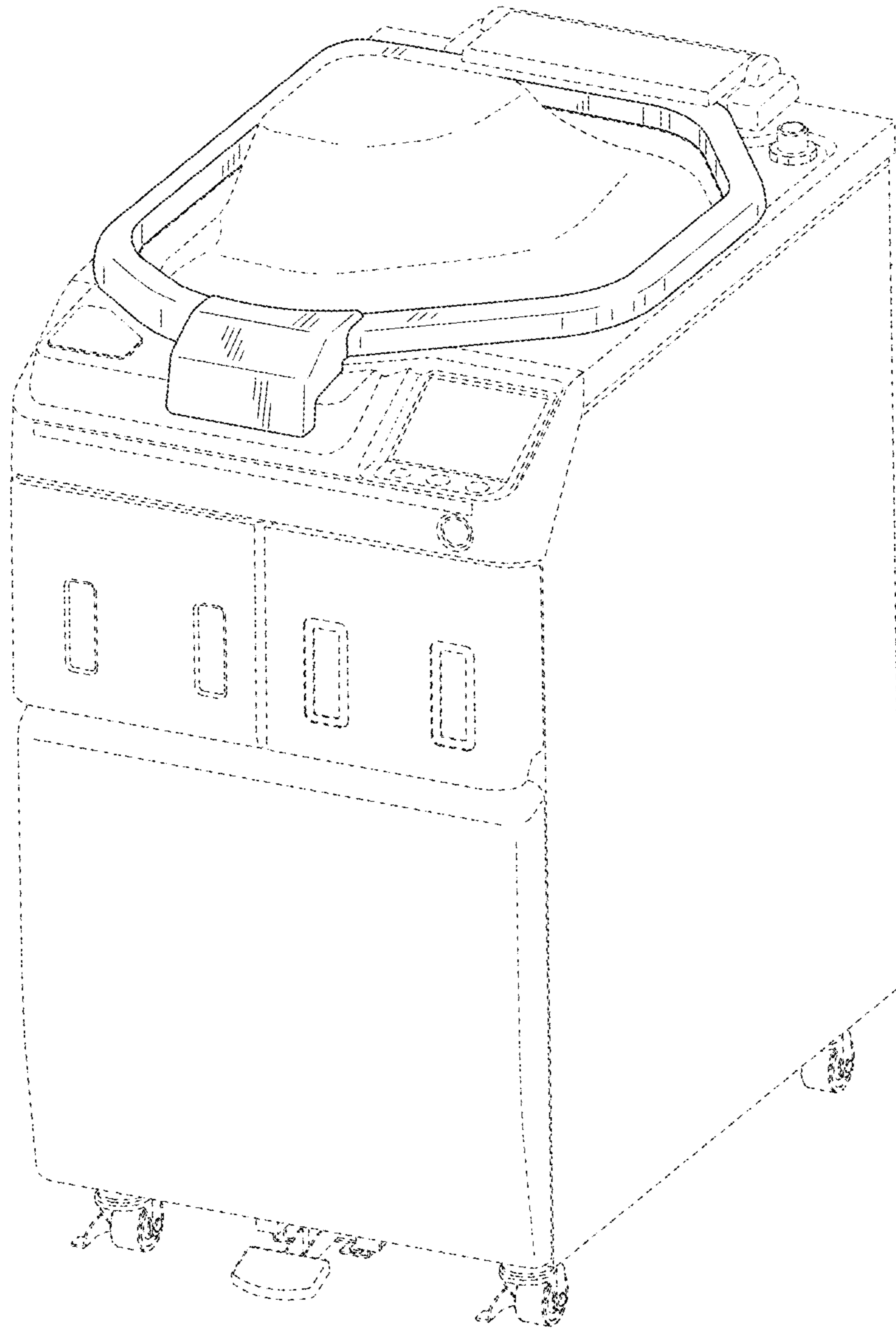


Fig. 1

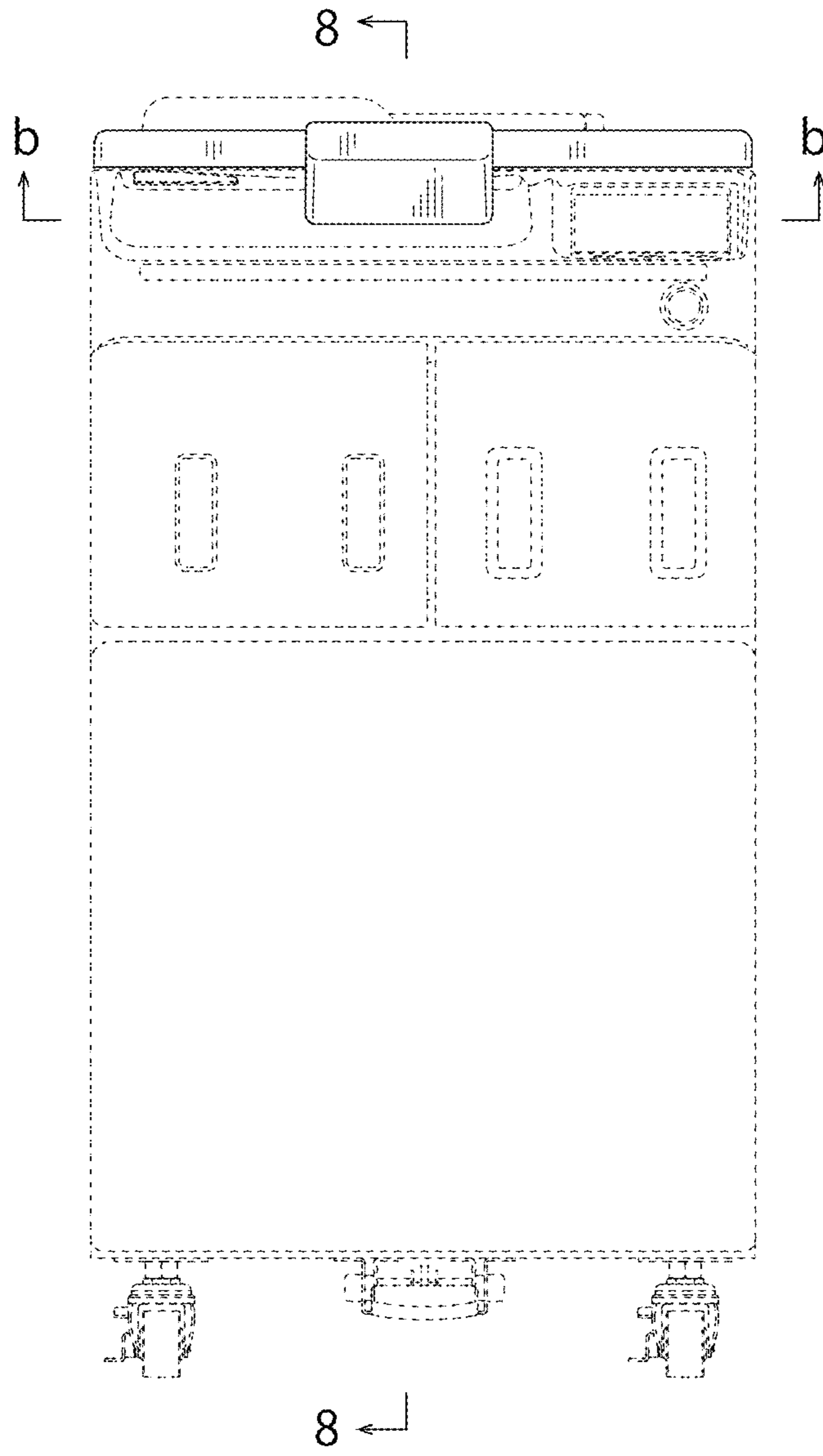


Fig.2

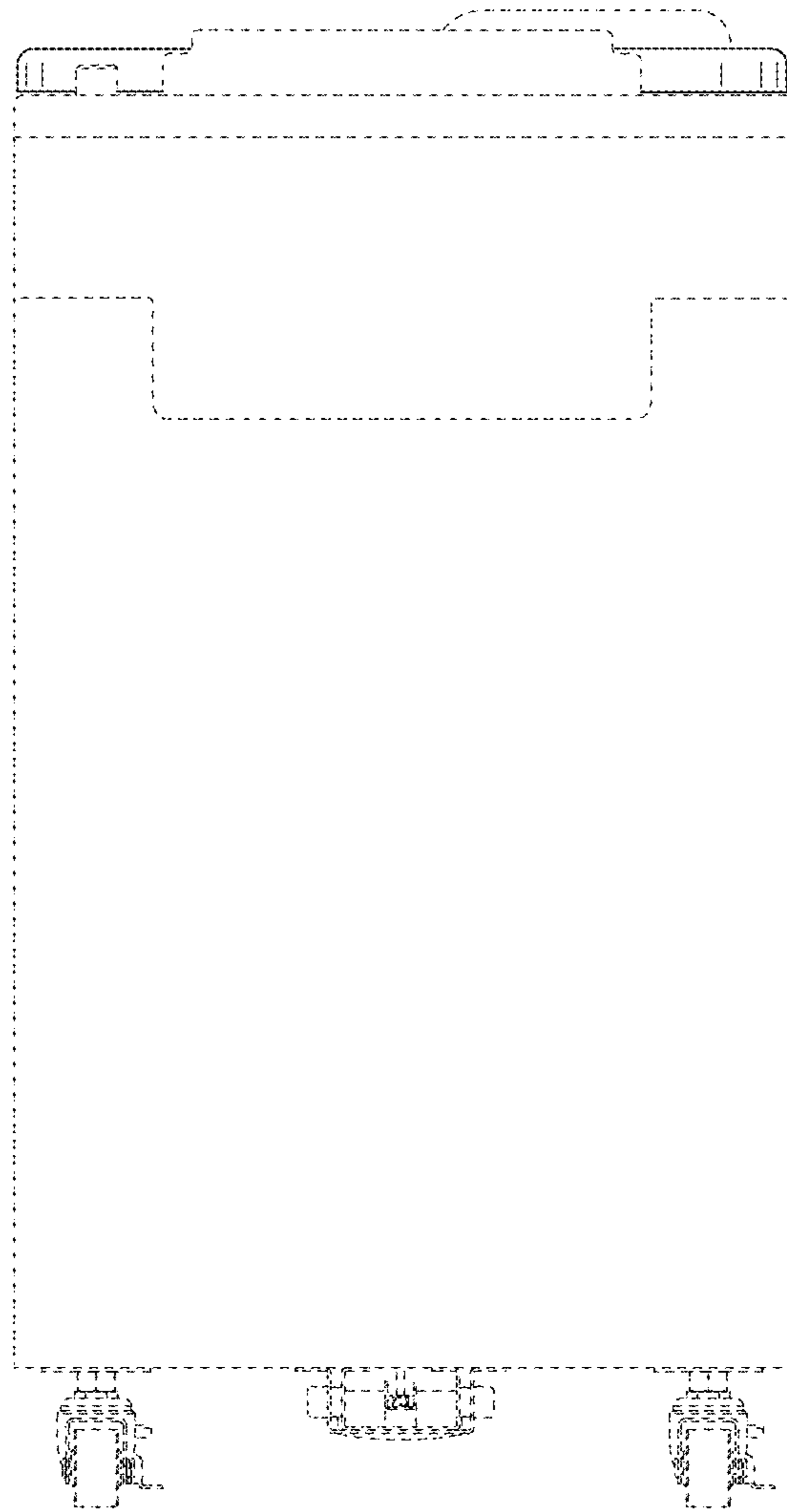


Fig. 3

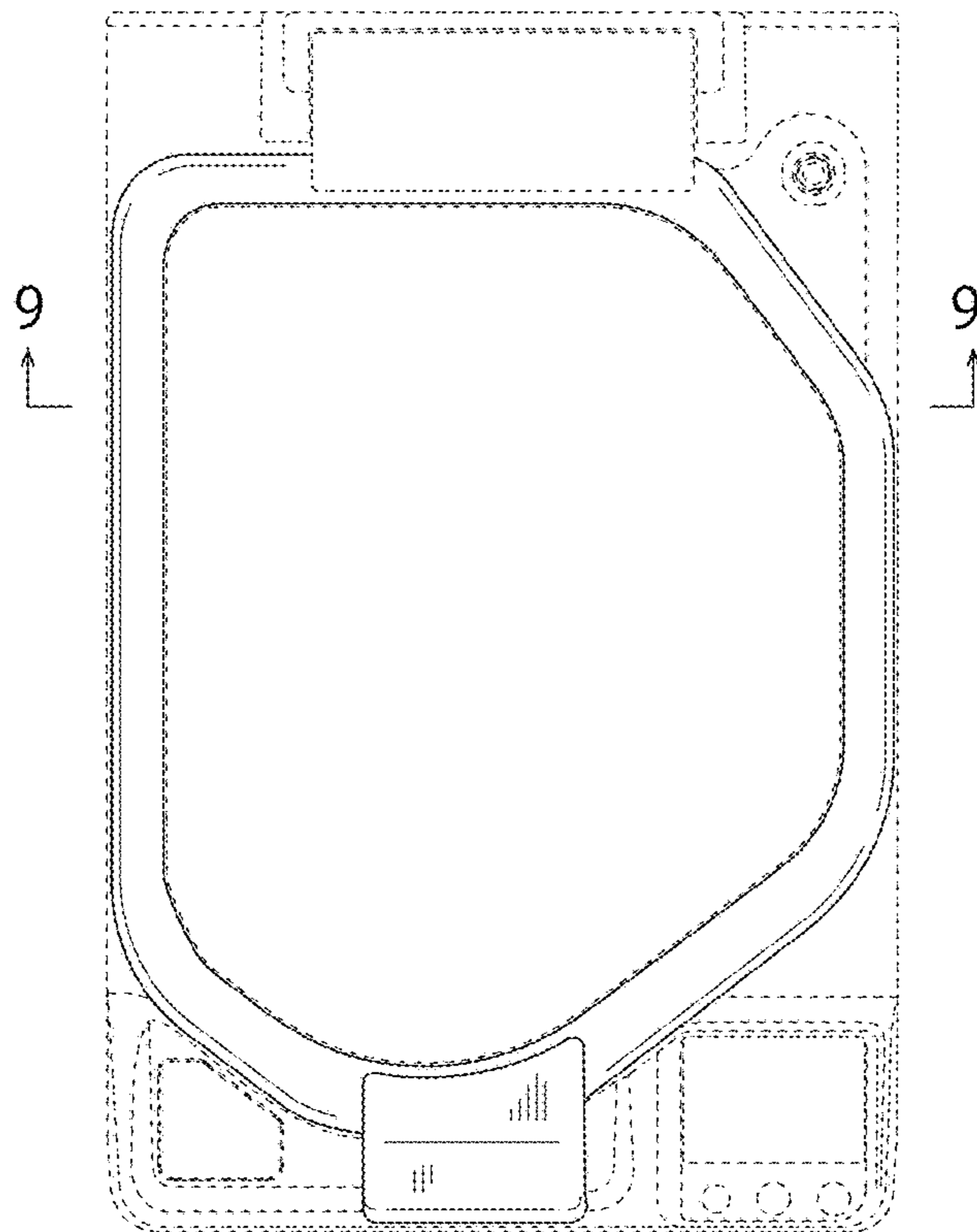


Fig. 4

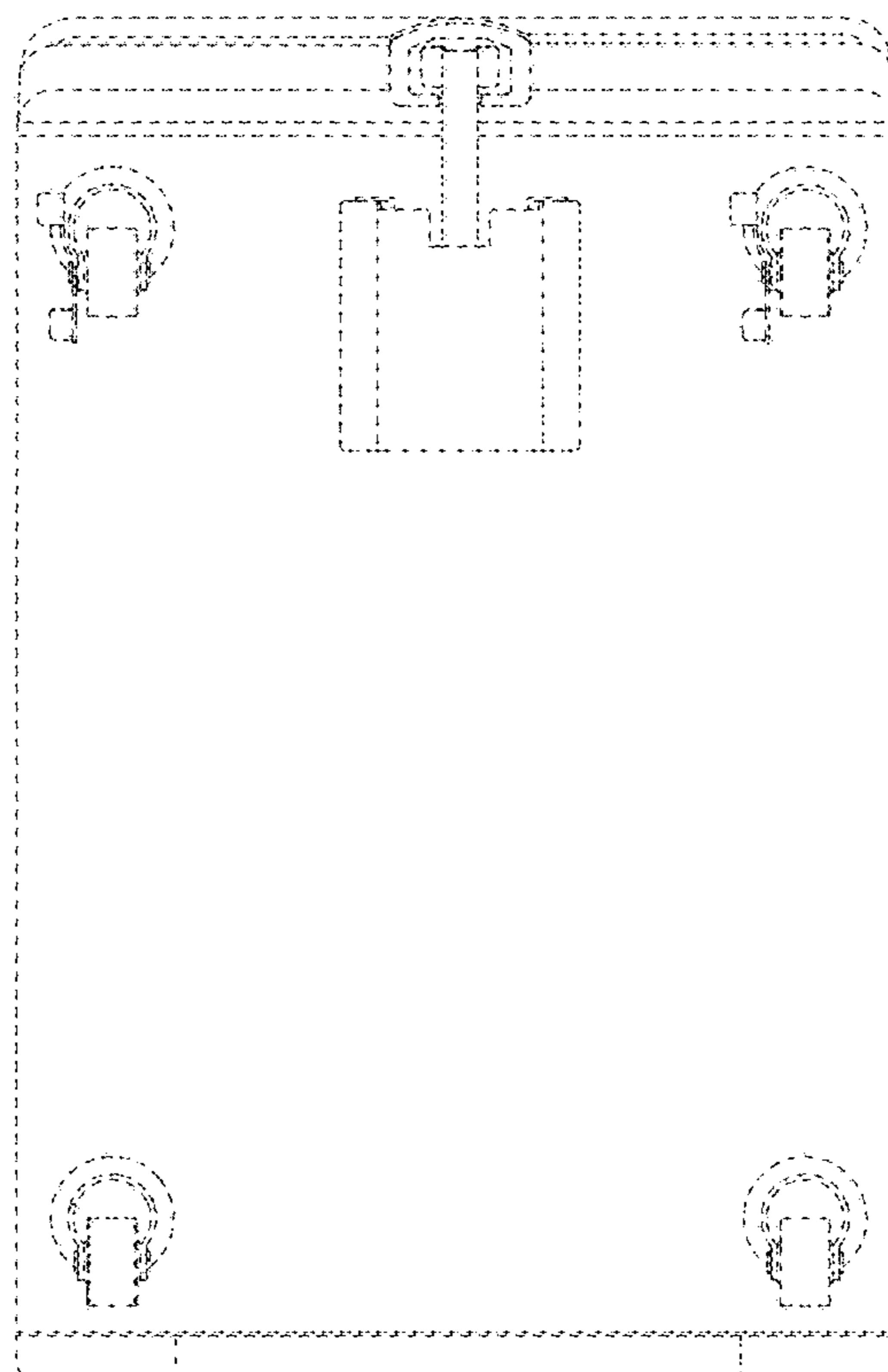


Fig. 5

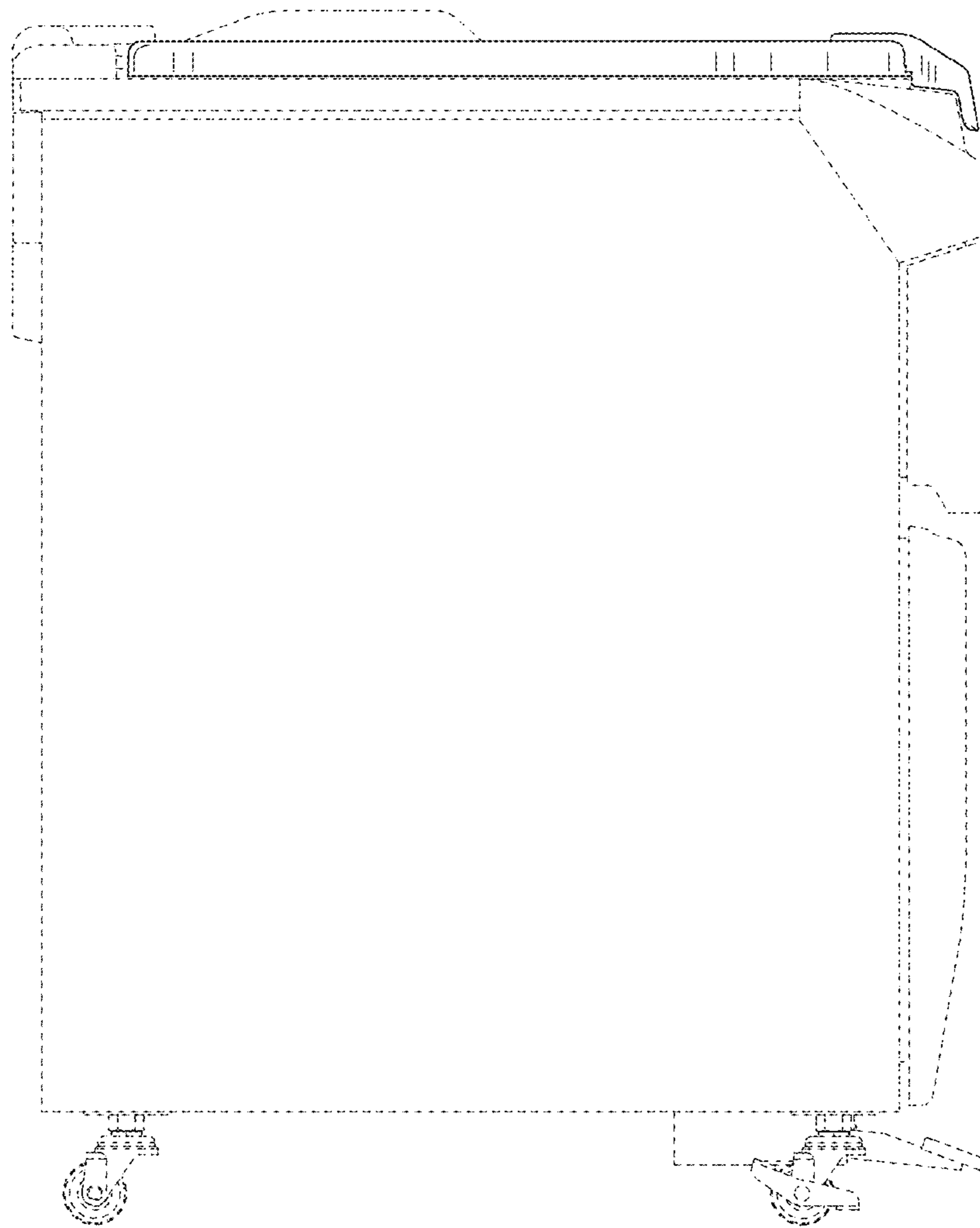


Fig. 6

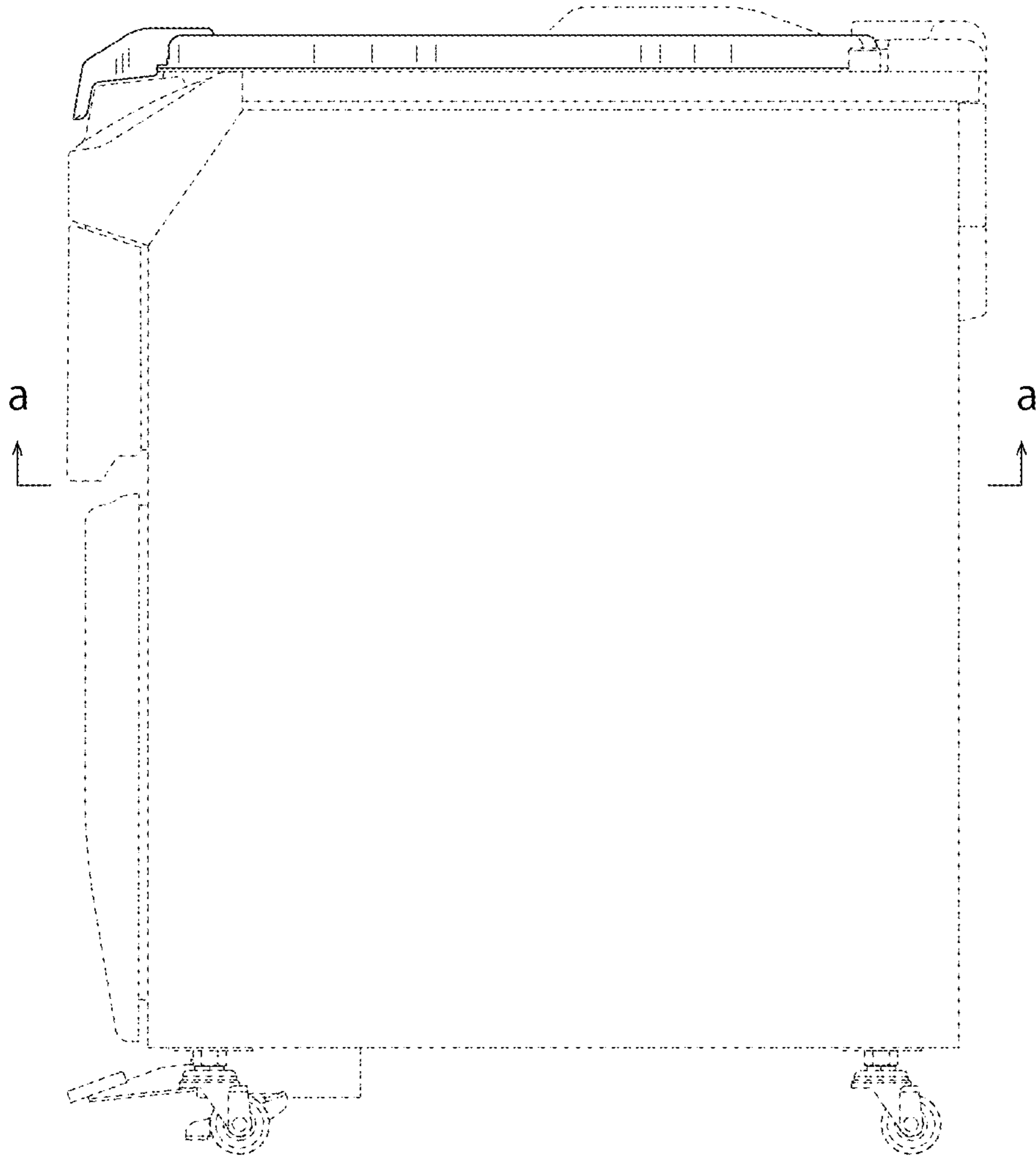


Fig. 7

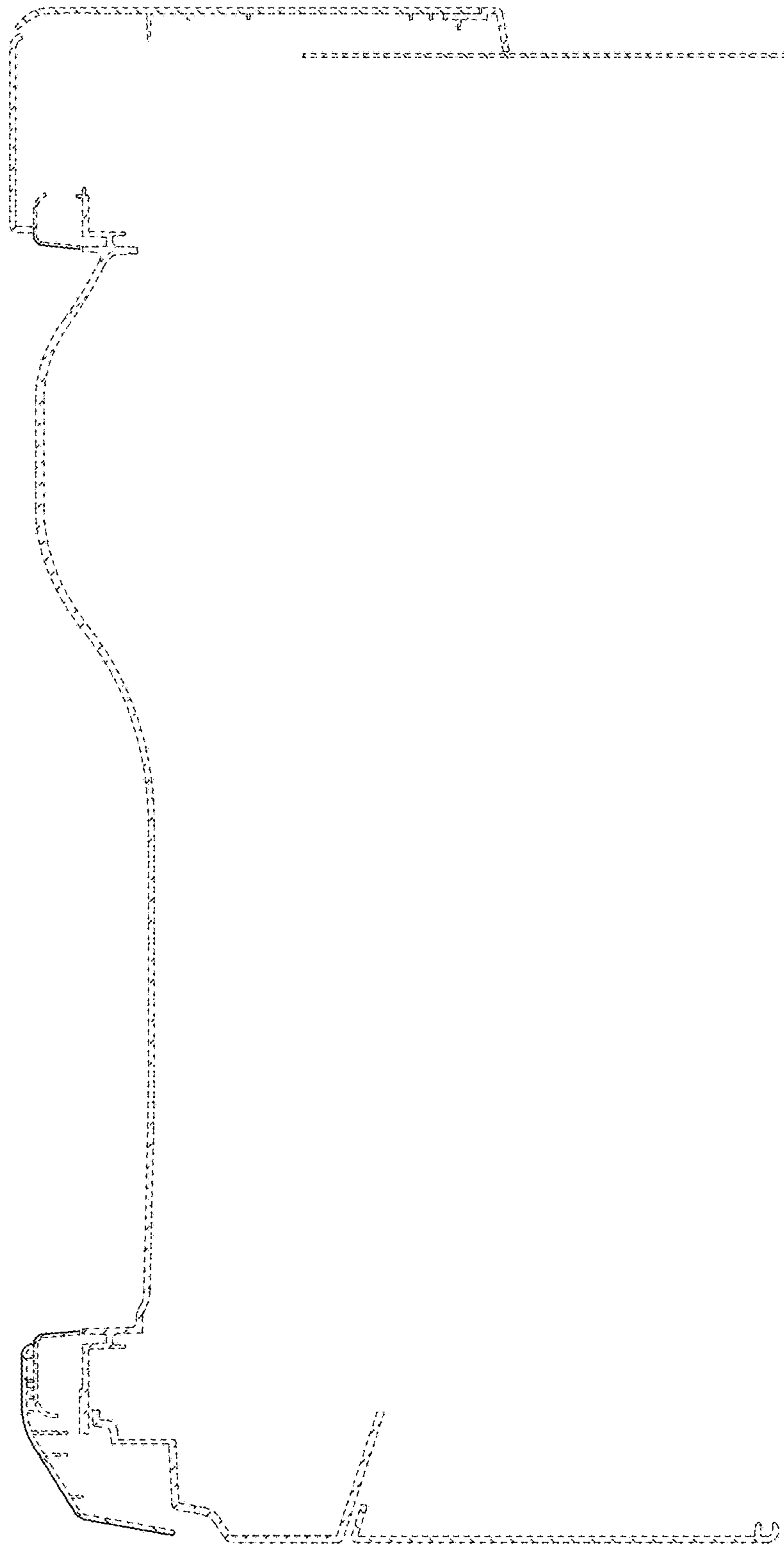


Fig. 8

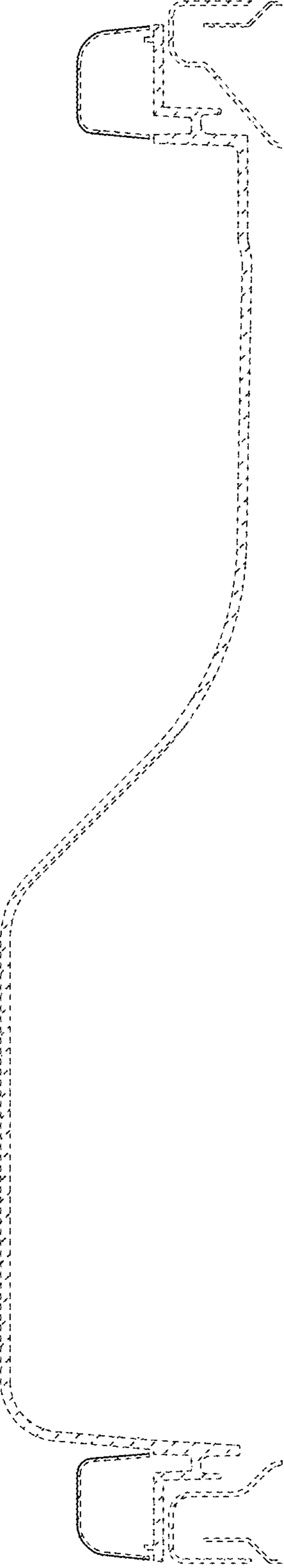


Fig. 9