



US00D822844S

(12) **United States Design Patent**
Smith et al.

(10) **Patent No.:** **US D822,844 S**
(45) **Date of Patent:** **** Jul. 10, 2018**

- (54) **SAMPLE PROCESSING DEVICE**
- (71) Applicant: **Theranos, Inc.**, Palo Alto, CA (US)
- (72) Inventors: **Timothy Smith**, Palo Alto, CA (US);
James R. Wasson, Palo Alto, CA (US)
- (73) Assignee: **Theranos IP Company, LLC**, Newark, CA (US)
- (**) Term: **15 Years**
- (21) Appl. No.: **29/543,207**
- (22) Filed: **Oct. 21, 2015**
- (51) **LOC (11) Cl.** **24-01**
- (52) **U.S. Cl.**
USPC **D24/216**
- (58) **Field of Classification Search**
USPC D24/216-219, 231, 232, 233, 107, 169,
D24/186; D10/81

(Continued)

(56) **References Cited**

U.S. PATENT DOCUMENTS

- D474,279 S * 5/2003 Mayer D24/232
- D537,951 S * 3/2007 Okamoto D24/233

(Continued)

OTHER PUBLICATIONS

Office Action dated Aug. 11, 2016 for U.S. Appl. No. 29/543,206.

Primary Examiner — Anhdao Doan

(57) **CLAIM**

The ornamental design for a sample processing device, as shown and described.

DESCRIPTION

FIG. 1 is a left-side perspective view of a first embodiment of a sample processing device;

FIG. 2 is a right-side perspective view of the first embodiment.

FIG. 3 is a left-side perspective view of a second embodiment of a sample processing device;

FIG. 4 is a right-side perspective view of the second embodiment.

FIG. 5 is a left-side perspective view of a third embodiment of a sample processing device;

FIG. 6 is a right-side perspective view of the third embodiment.

FIG. 7 is a left-side perspective view of a fourth embodiment of a sample processing device;

FIG. 8 is a right-side perspective view of the fourth embodiment.

FIG. 9 is a left-side perspective view of a fifth embodiment of a sample processing device;

FIG. 10 is a right-side perspective view of the fifth embodiment.

FIG. 11 is a left-side perspective view of a sixth embodiment of a sample processing device;

FIG. 12 is a right-side perspective view of the sixth embodiment.

FIG. 13 is a left-side perspective view of a seventh embodiment of a sample processing device;

FIG. 14 is a right-side perspective view of the seventh embodiment.

FIG. 15 is a left-side perspective view of an eighth embodiment of a sample processing device;

FIG. 16 is a right-side perspective view of the eighth embodiment.

FIG. 17 is a left-side perspective view of a ninth embodiment of a sample processing device;

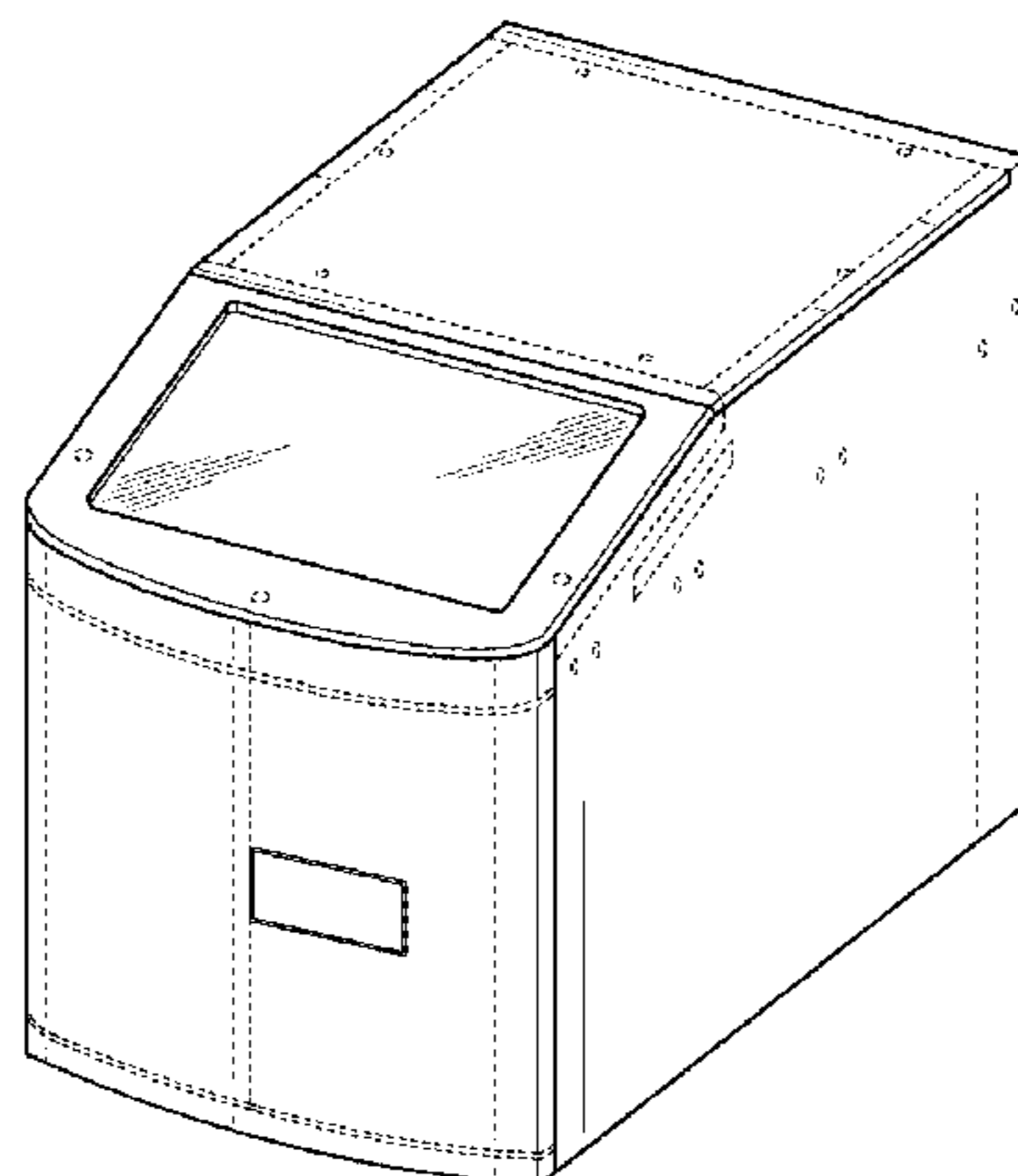
FIG. 18 is a right-side perspective view of the ninth embodiment.

FIG. 19 is a rear view for all embodiments of the sample processing device; and,

FIG. 20 is a bottom view for all embodiments of the sample processing device.

The broken lines immediately adjacent the shaded areas represent the bounds of the claim, while all other broken lines are directed to environment and are for illustrative purposes only; the broken lines form no part of the claimed design.

1 Claim, 11 Drawing Sheets



(58) **Field of Classification Search**

CPC G01N 2035/00306; G01N 2035/00326;
G01N 2035/00336; G01N 2030/027;
G01N 35/1085; G01N 2021/6432; C12Q
1/6869; C12Q 1/6806

See application file for complete search history.

(56) **References Cited**

U.S. PATENT DOCUMENTS

8,404,198	B2 *	3/2013	Amshey	B01L 3/502715 204/416
D730,535	S *	5/2015	Gutmann	D24/216
D737,702	S *	9/2015	Selberg	D24/232
2015/0362431	A1 *	12/2015	Jin Wong	G01N 21/6428 506/12

* cited by examiner

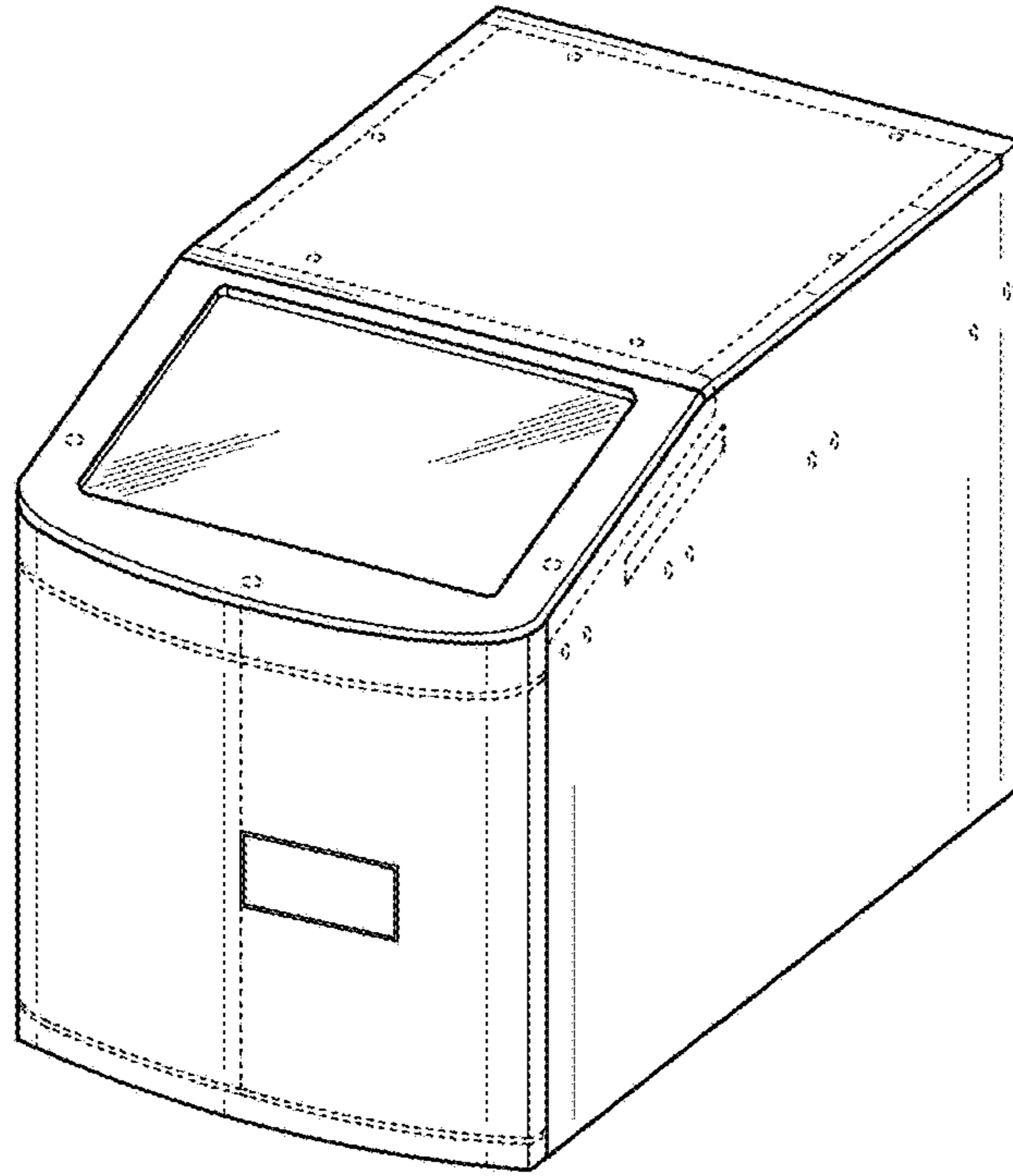


FIG. 1

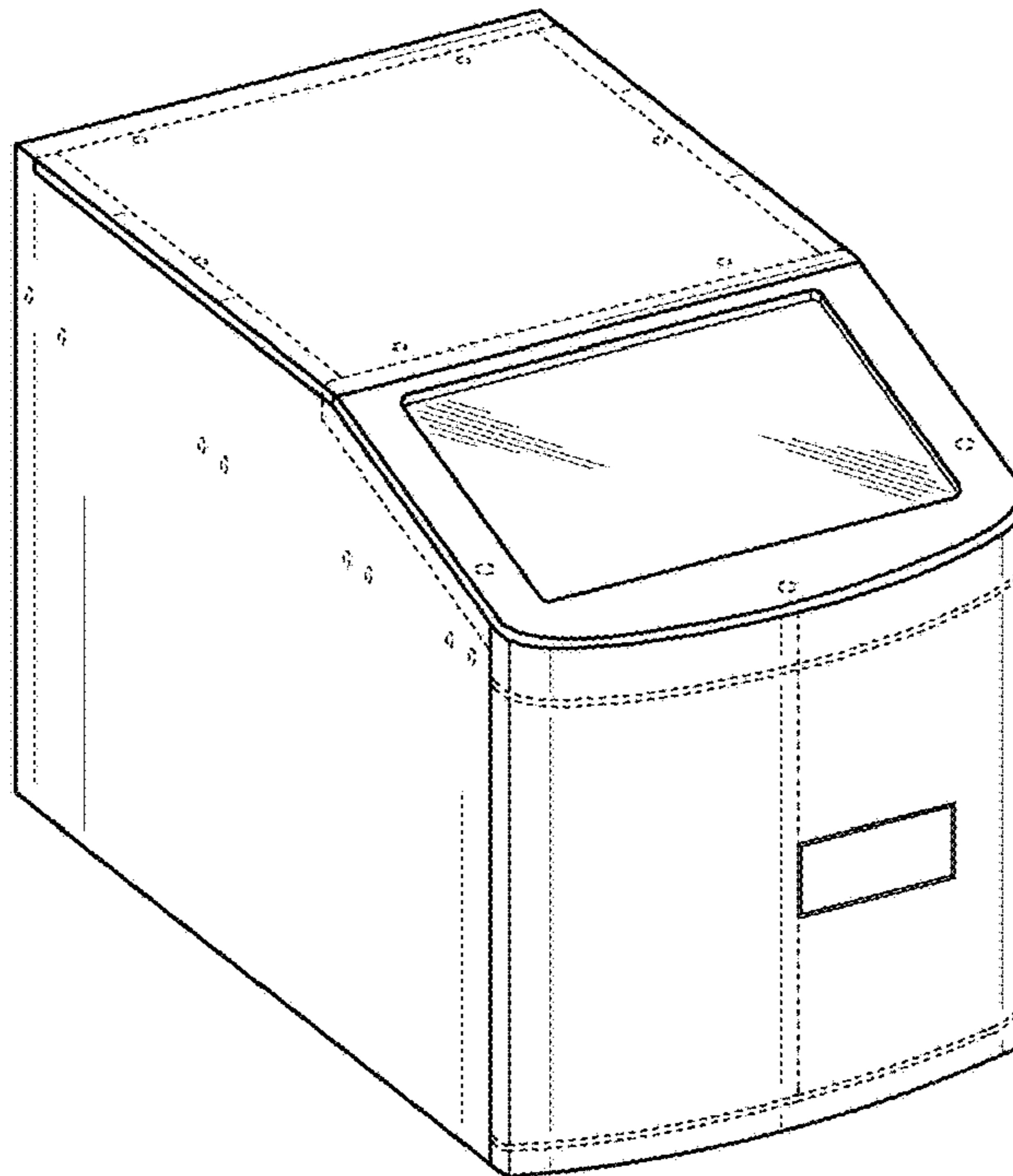


FIG. 2

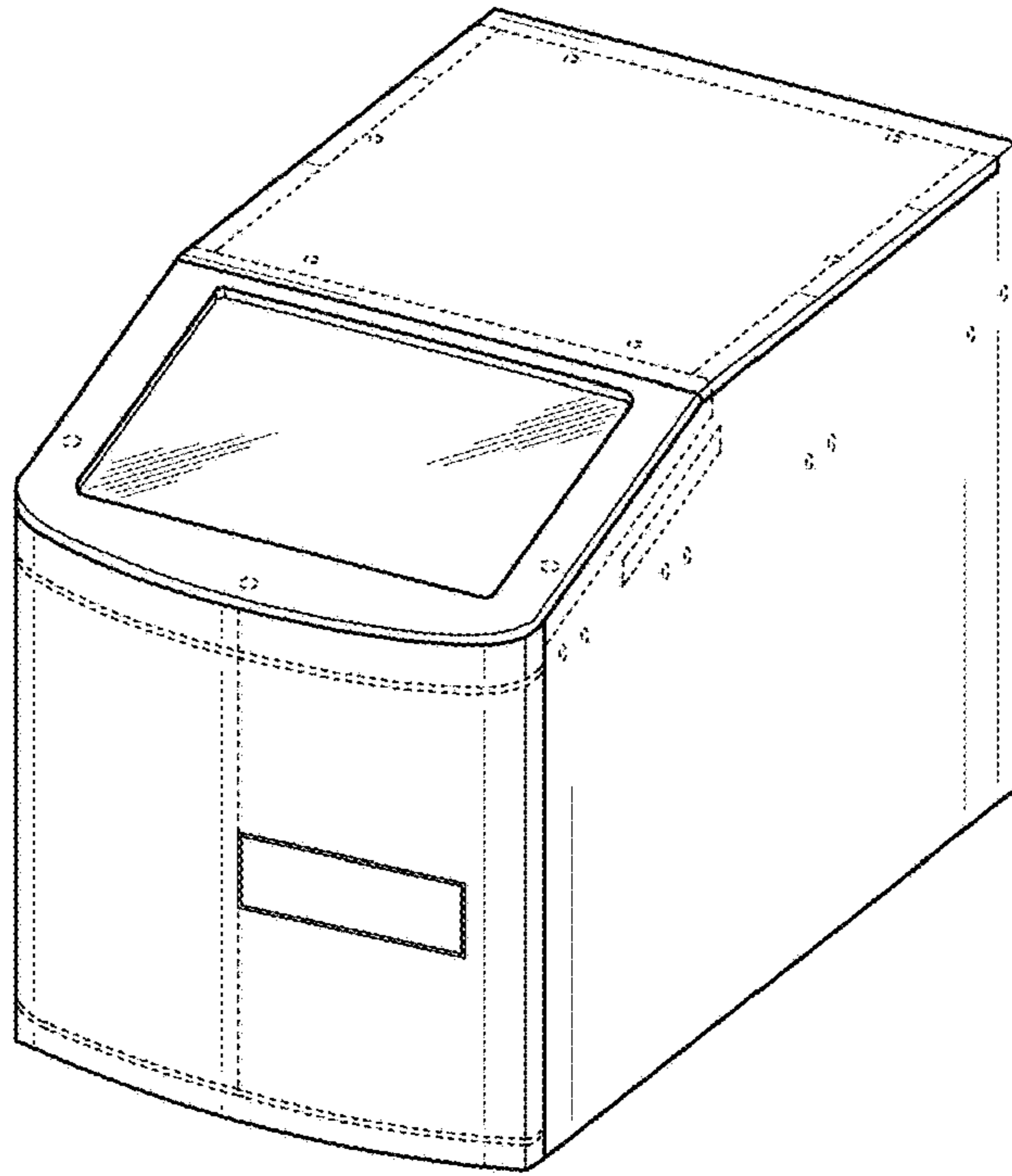


FIG. 3

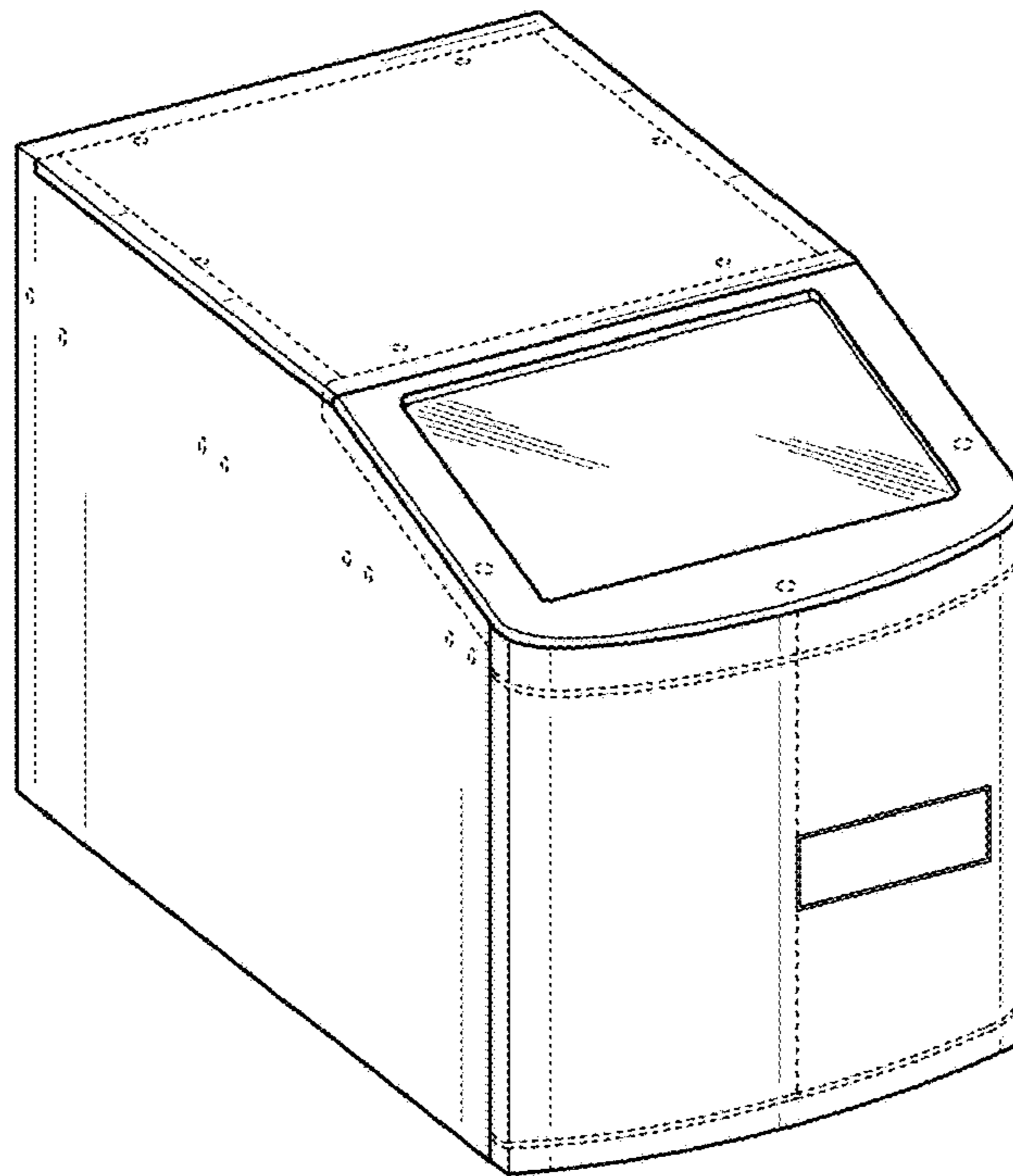


FIG. 4

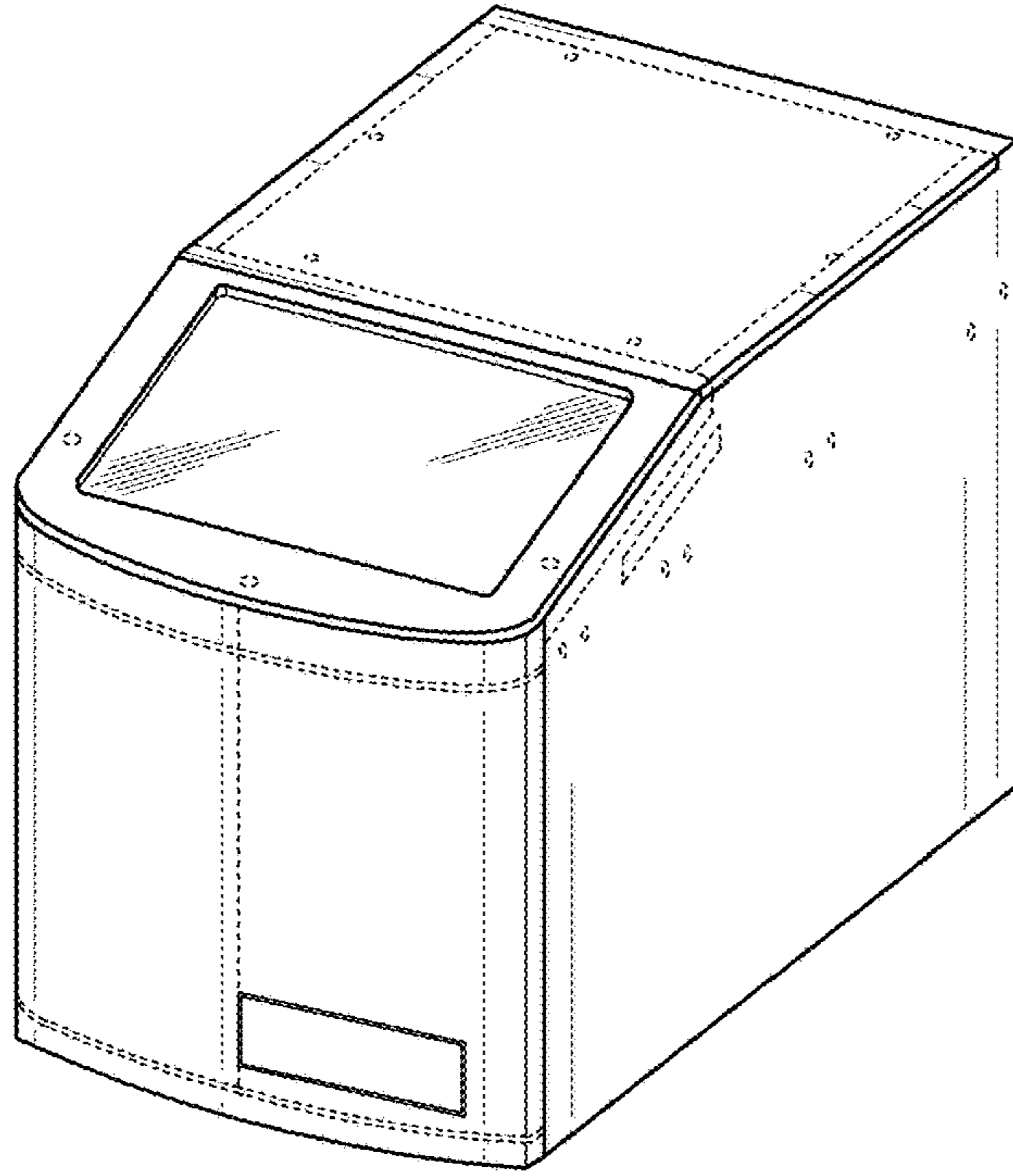


FIG. 5

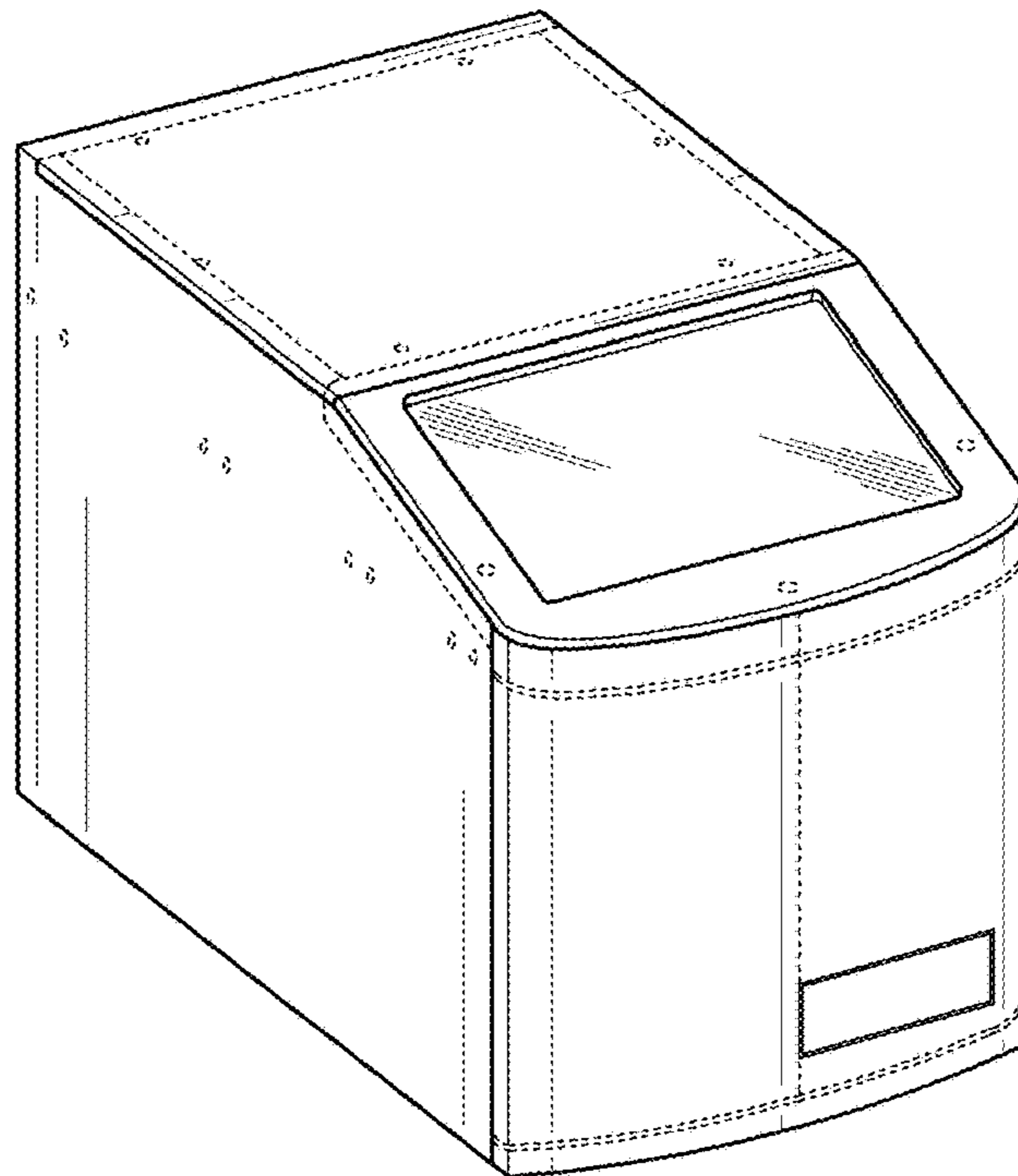


FIG. 6

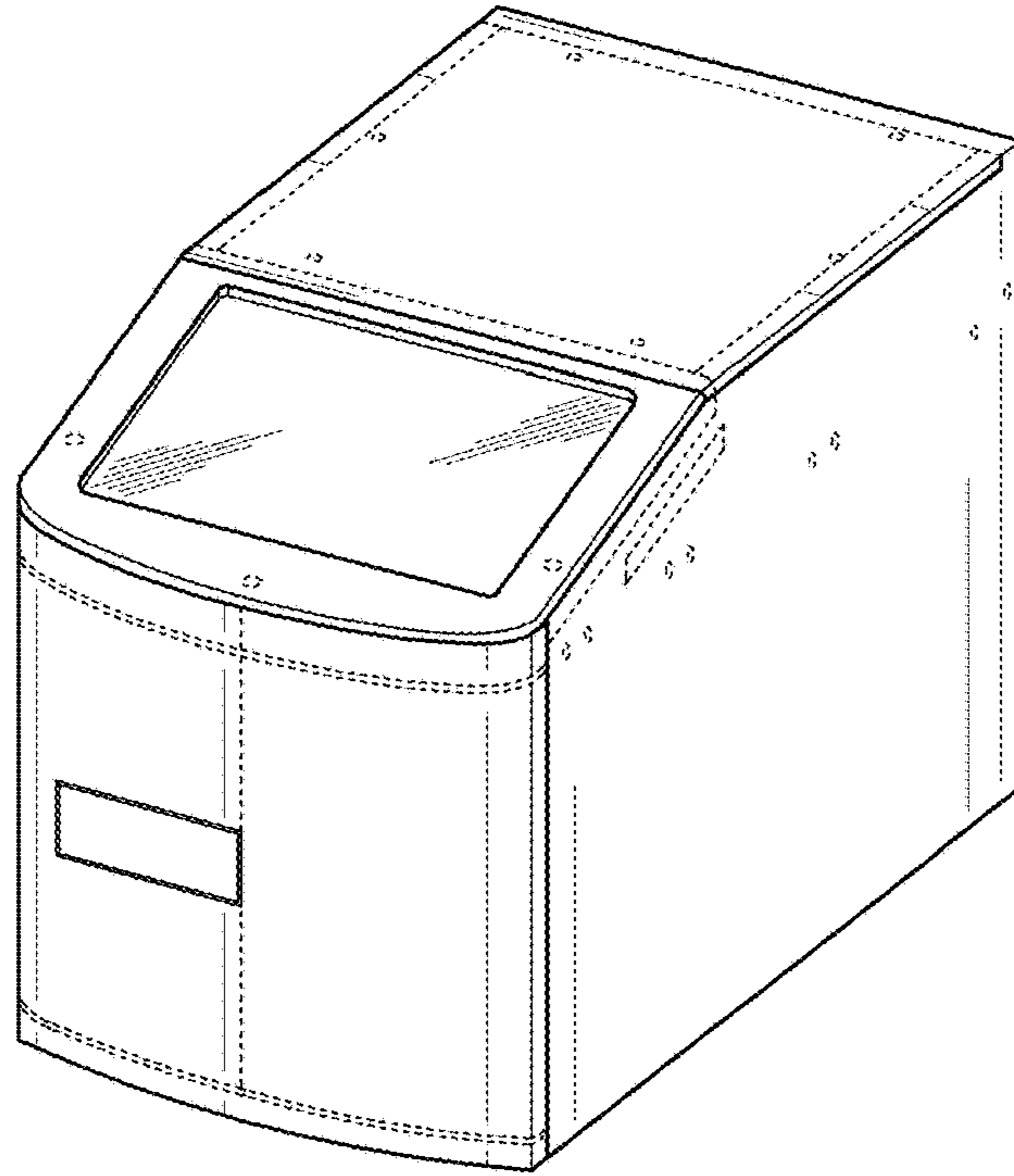


FIG. 7

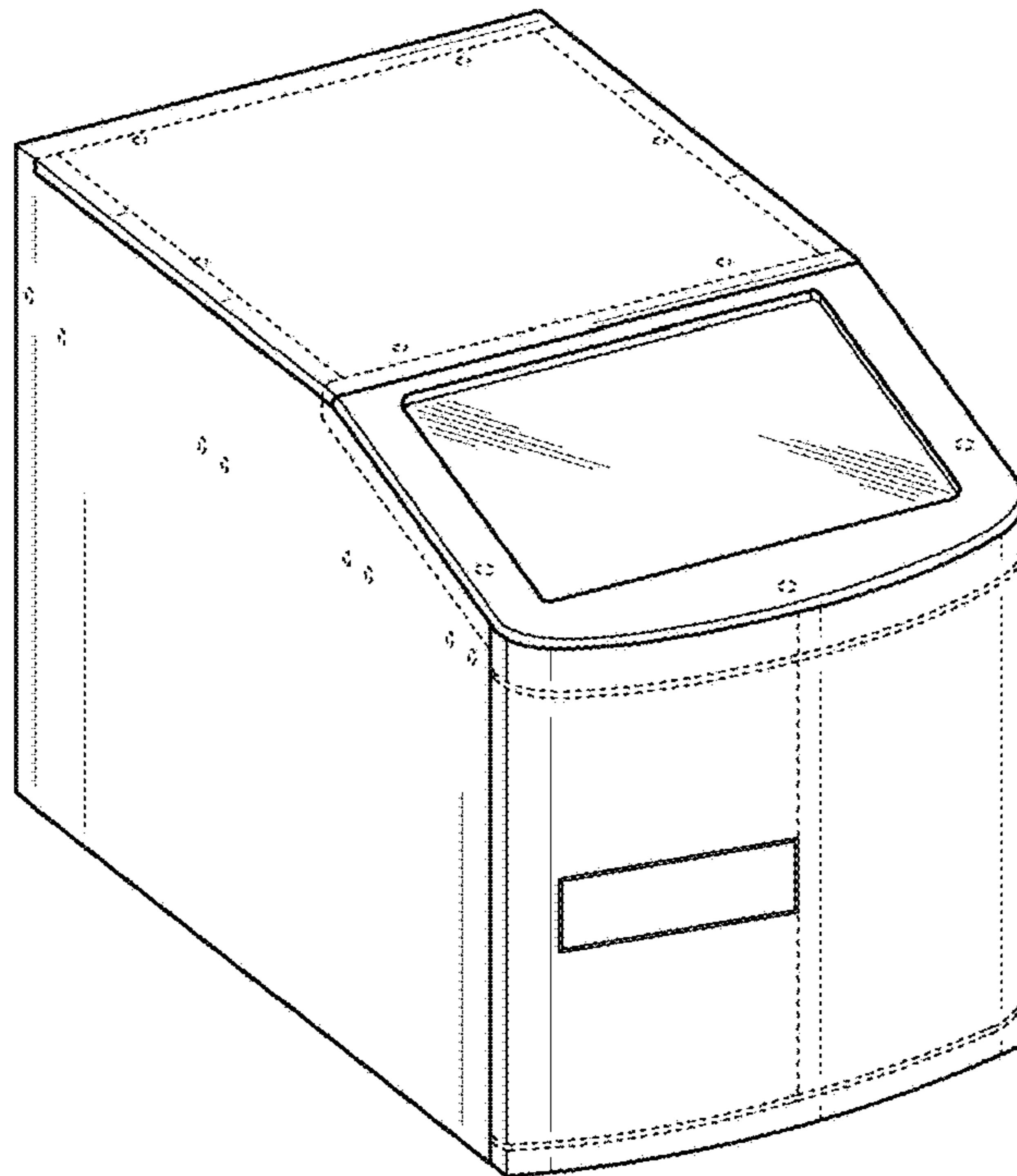


FIG. 8

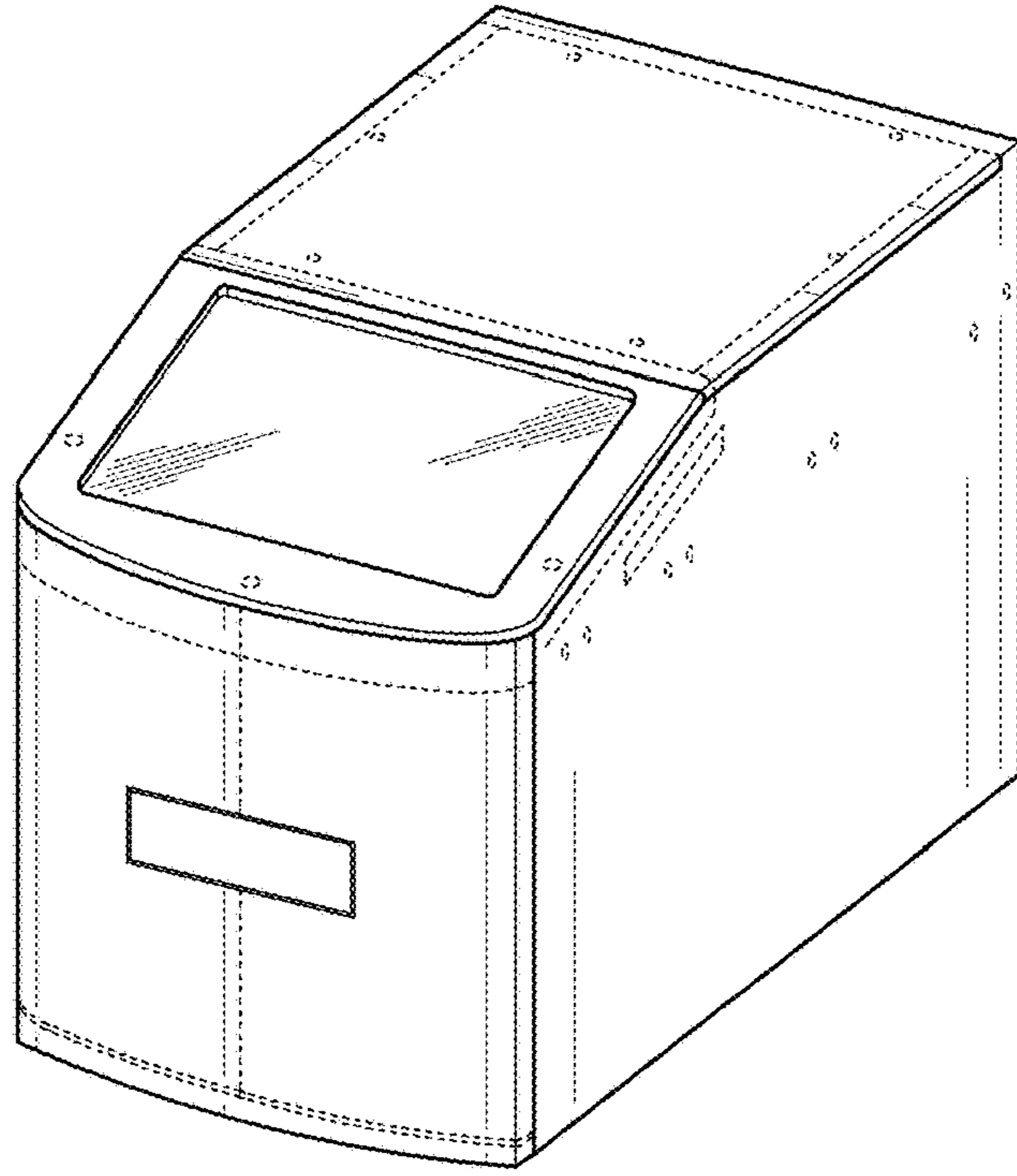


FIG. 9

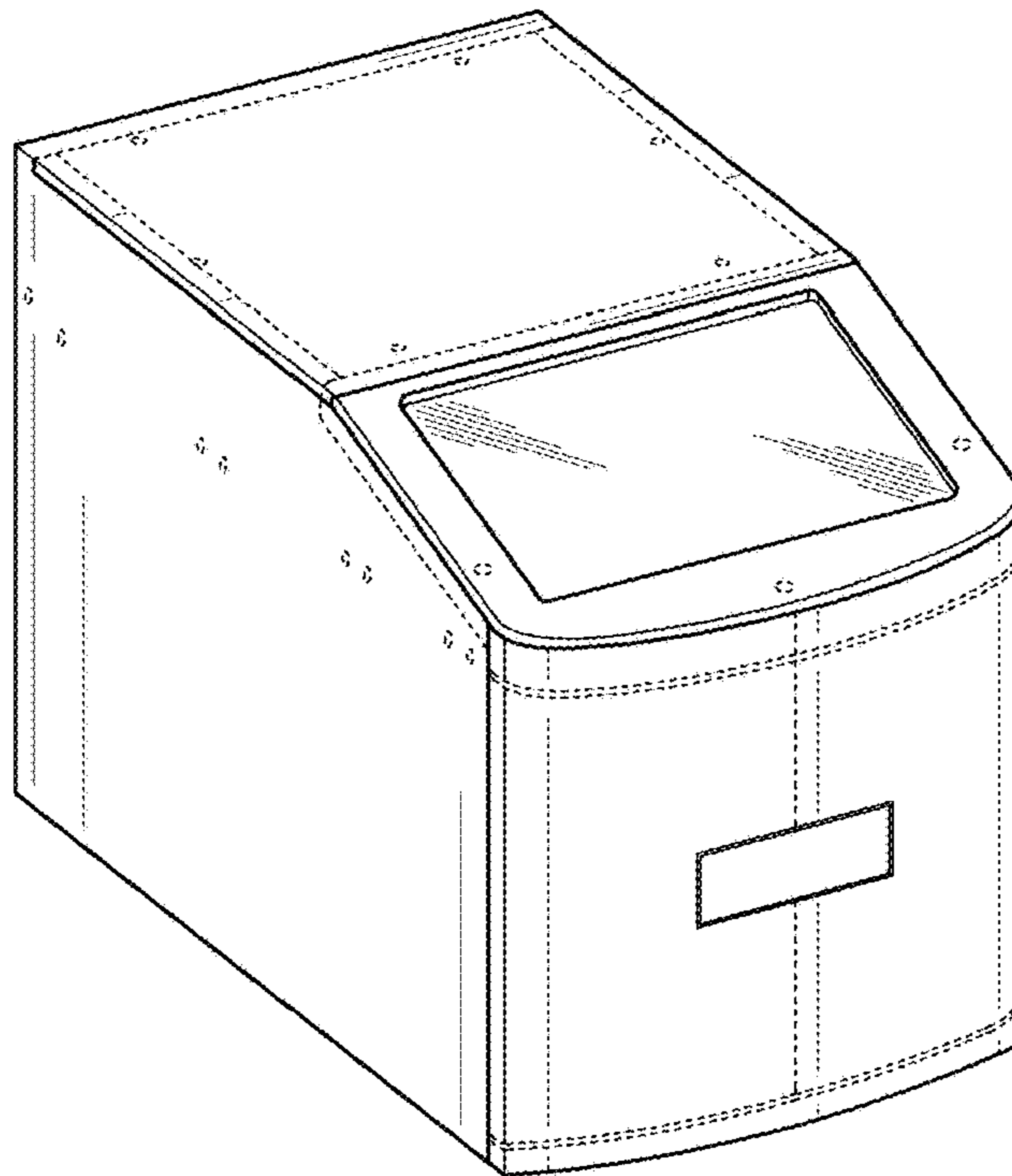


FIG. 10

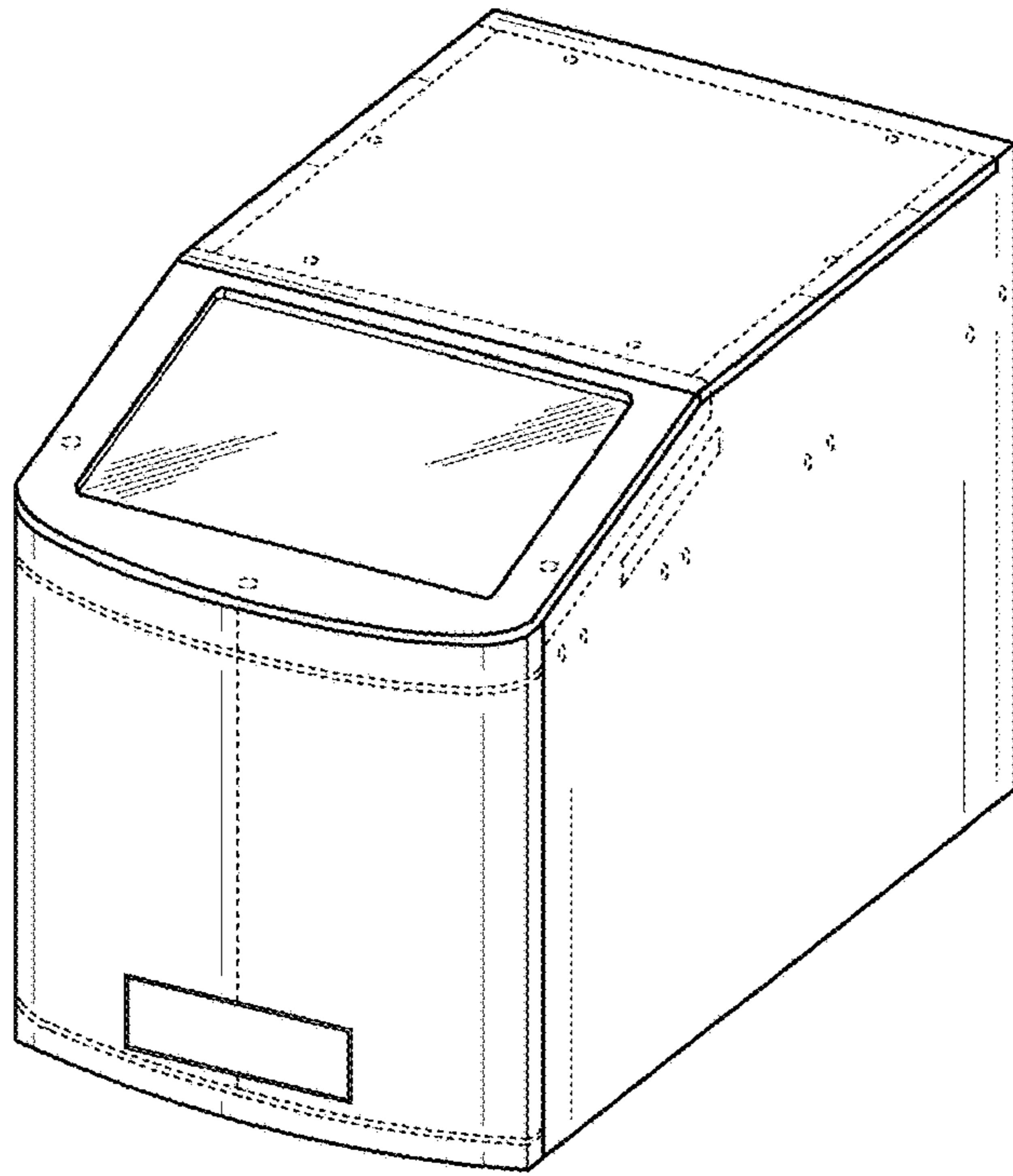


FIG. 11

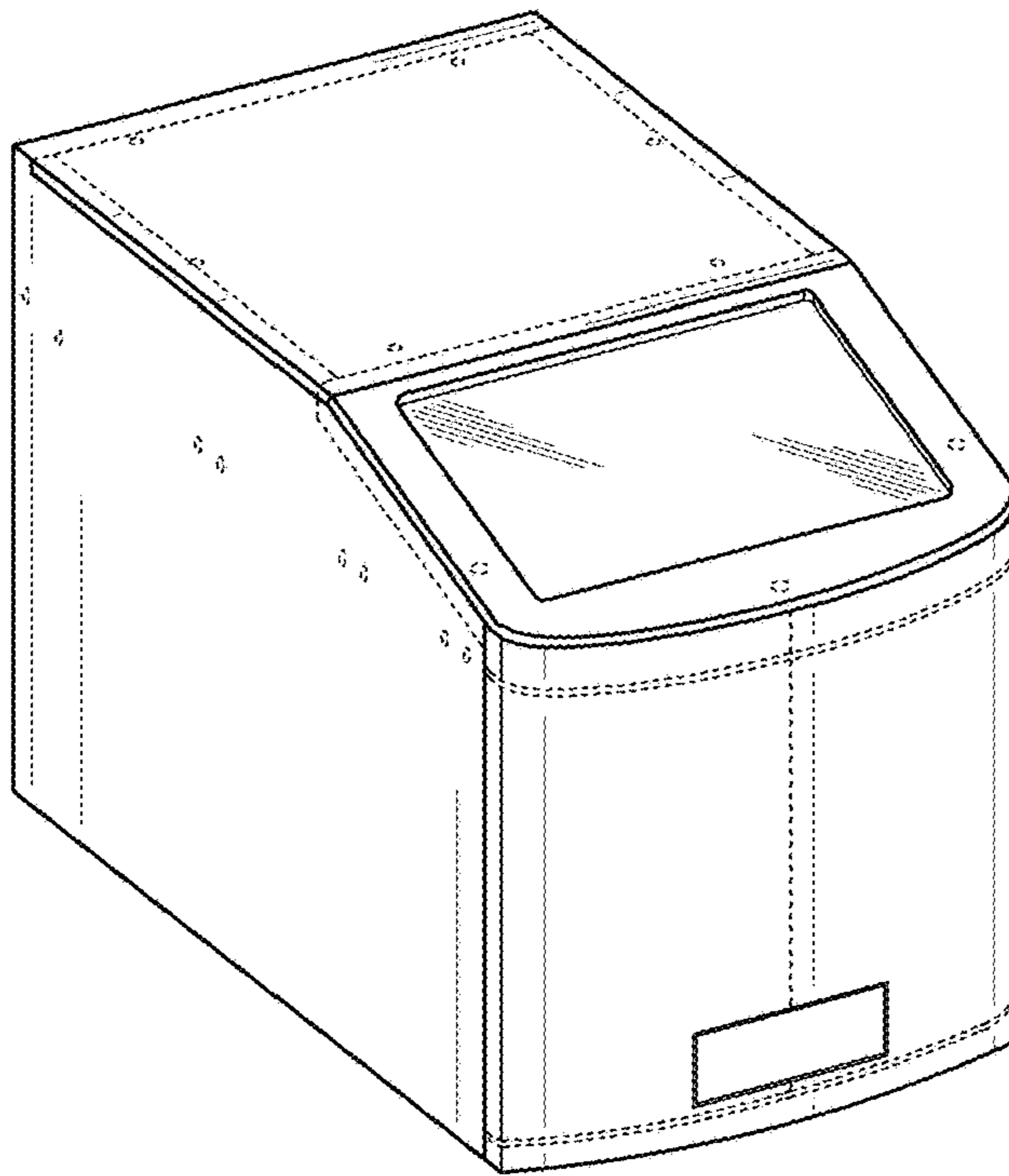


FIG. 12

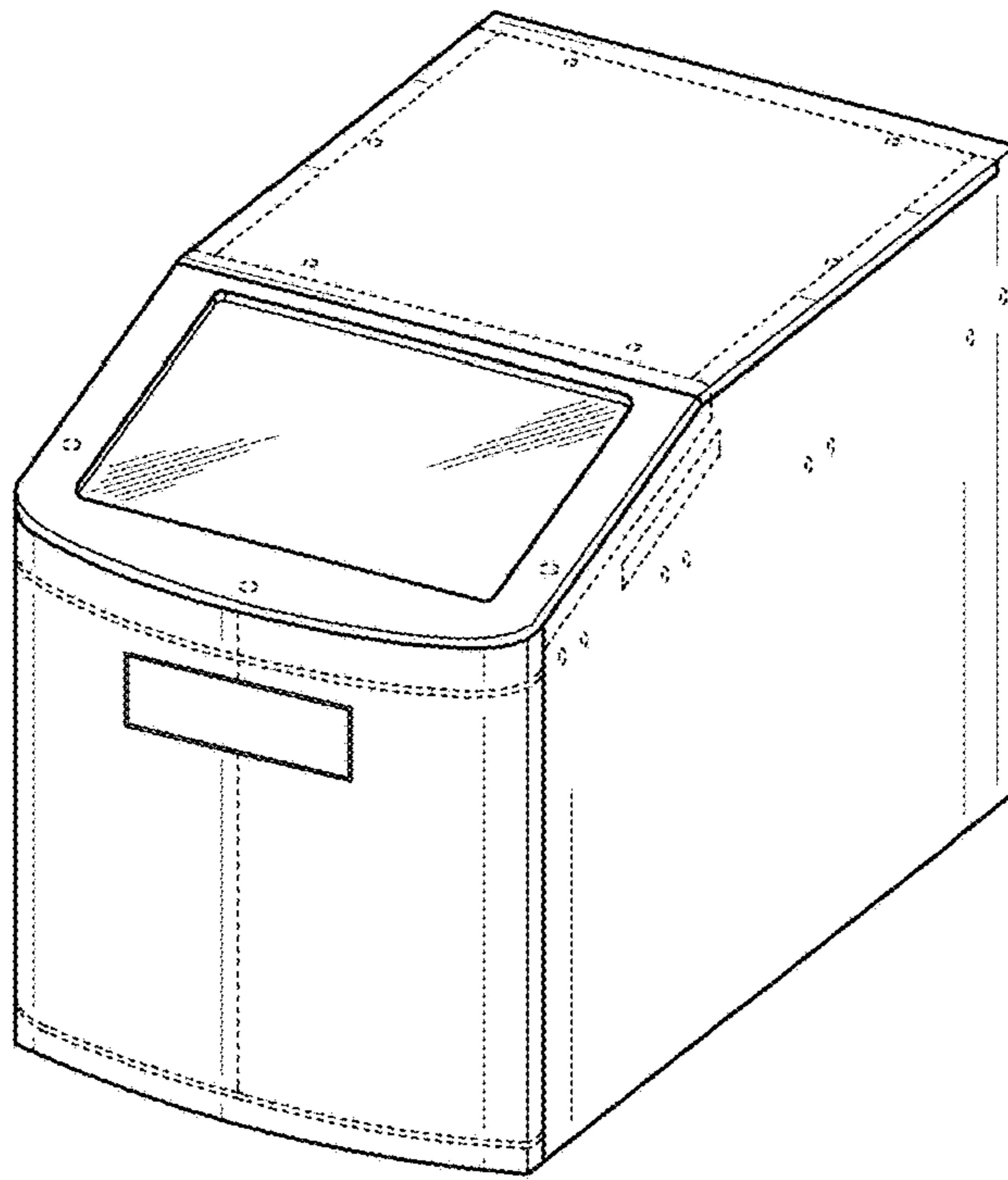


FIG. 13

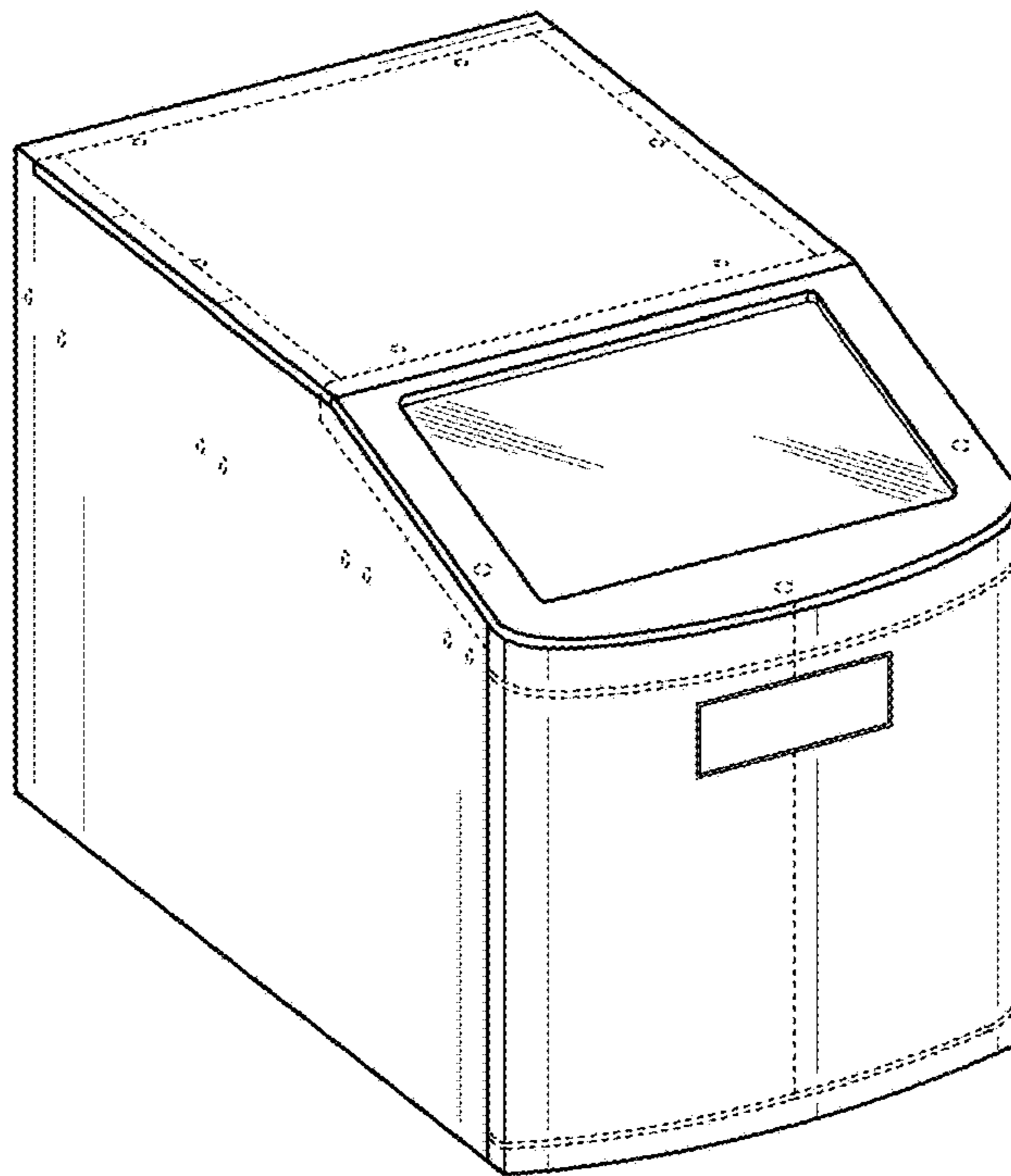


FIG. 14

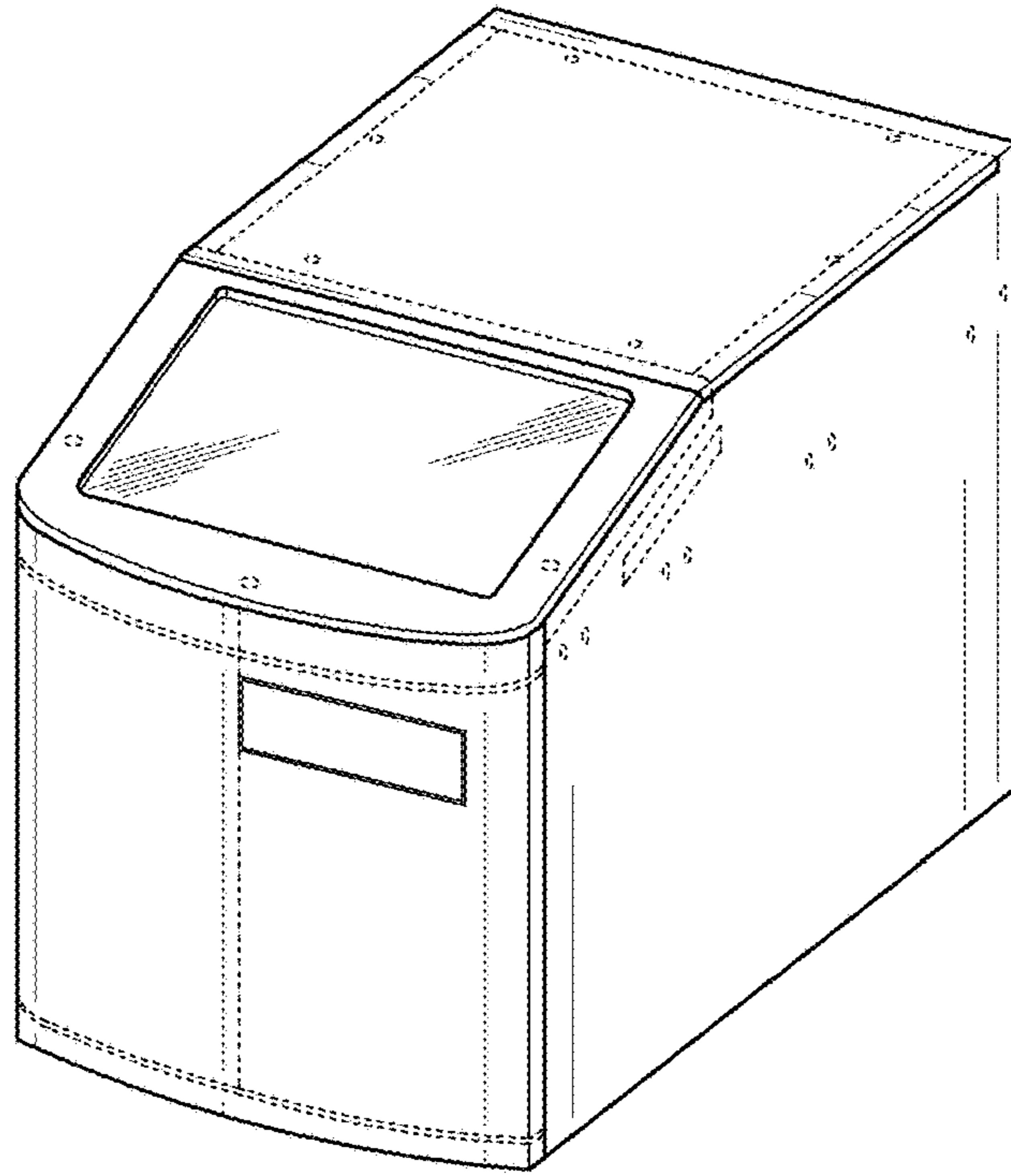


FIG. 15

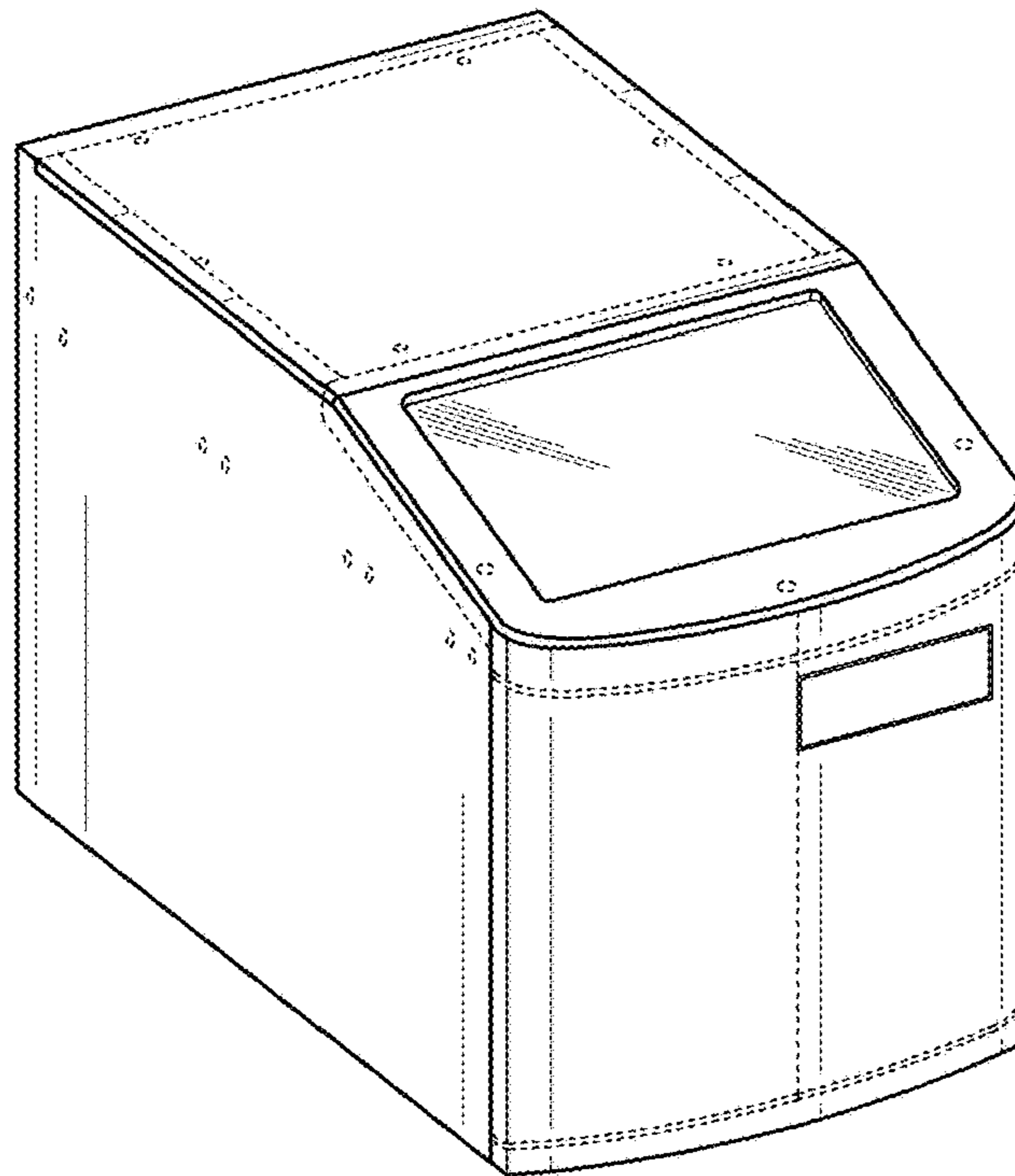


FIG. 16

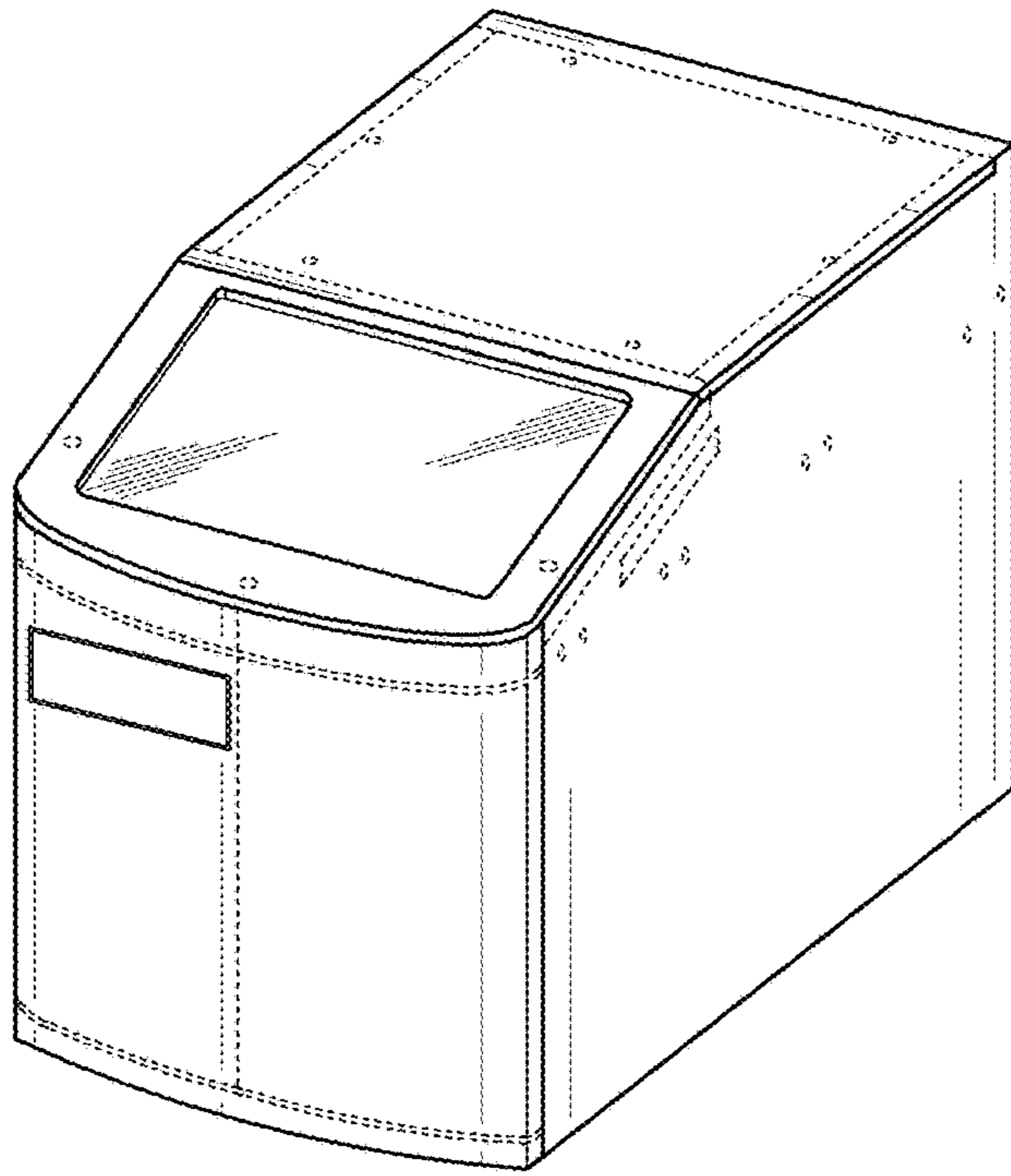


FIG. 17

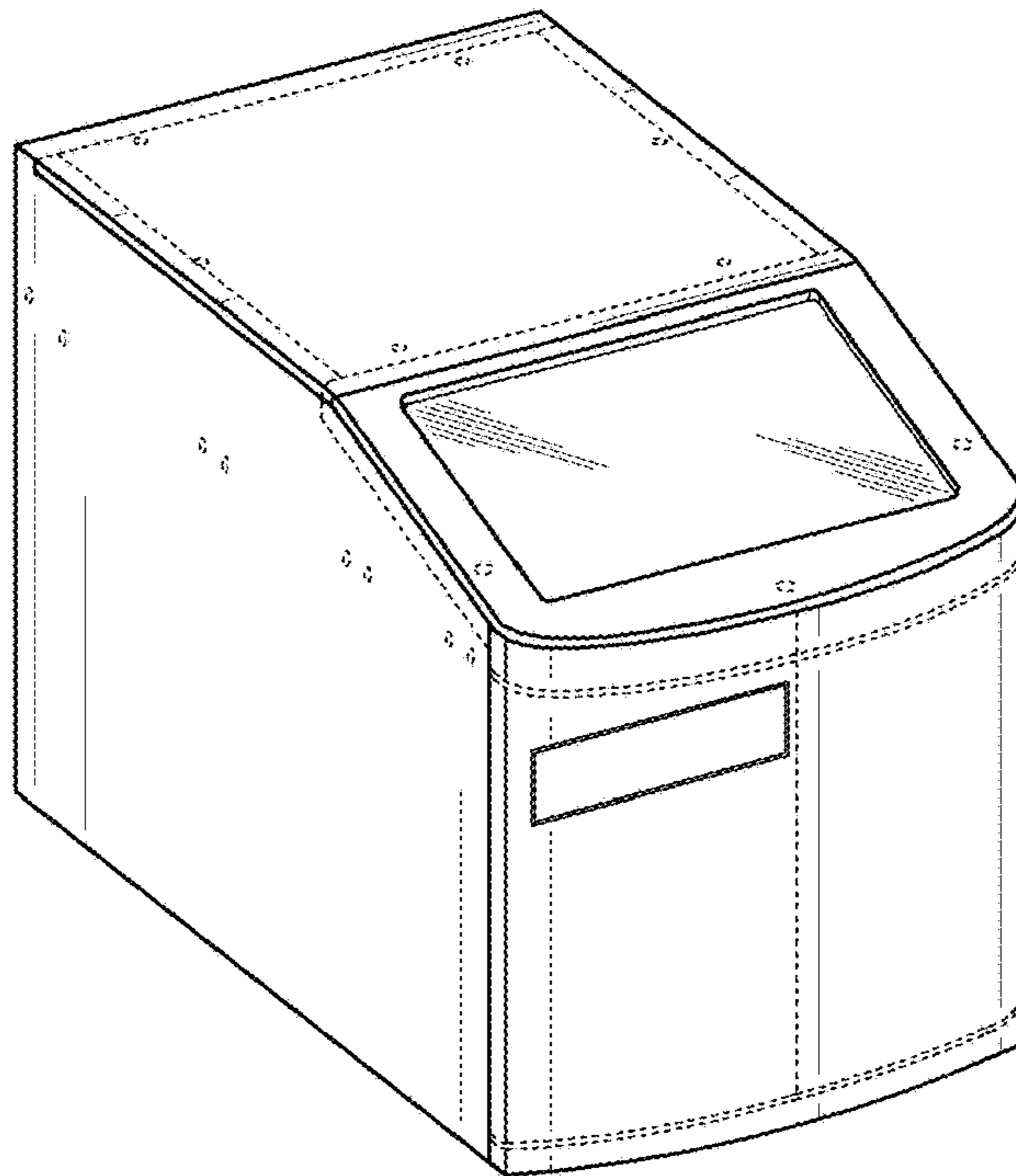


FIG. 18

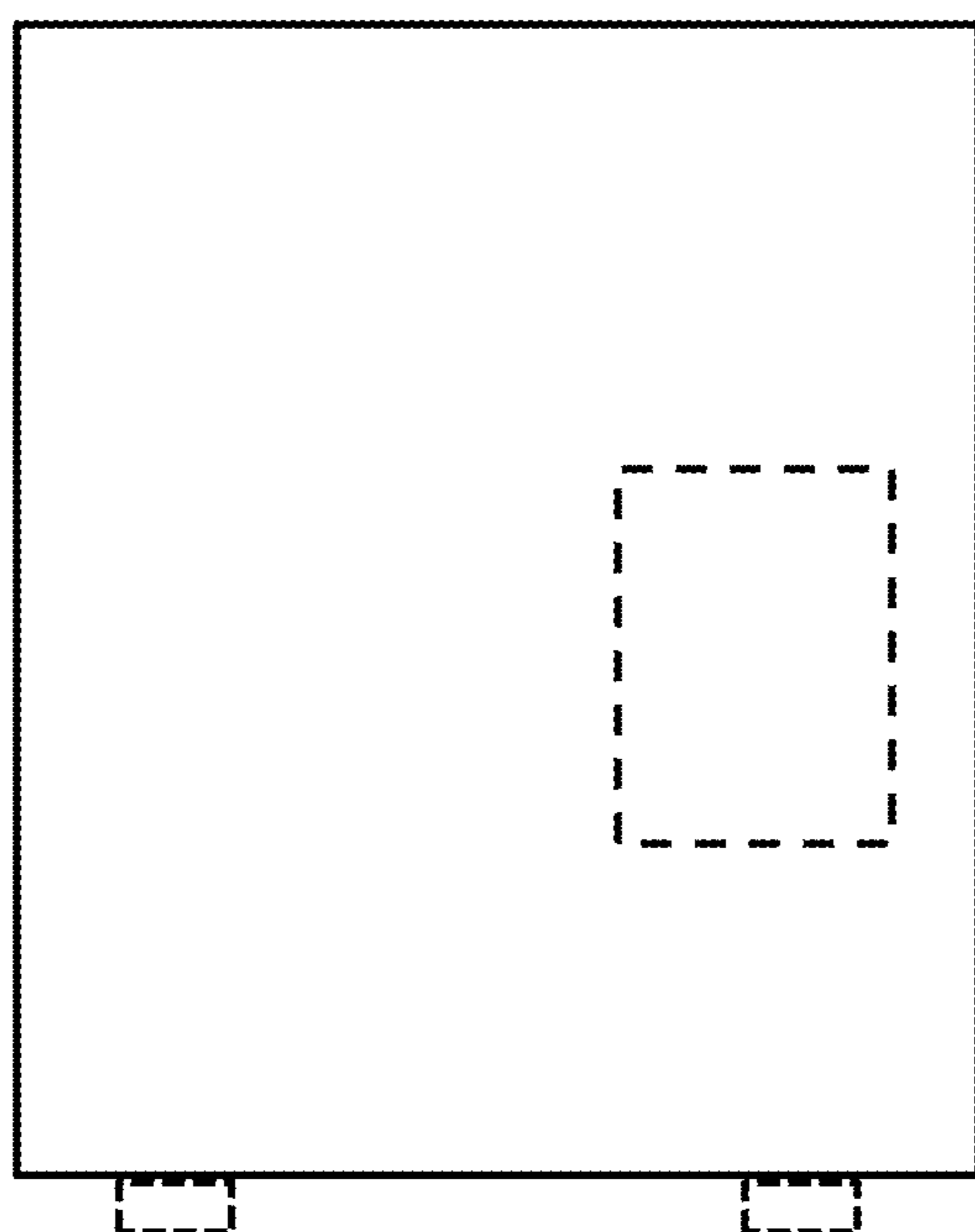


FIG. 19

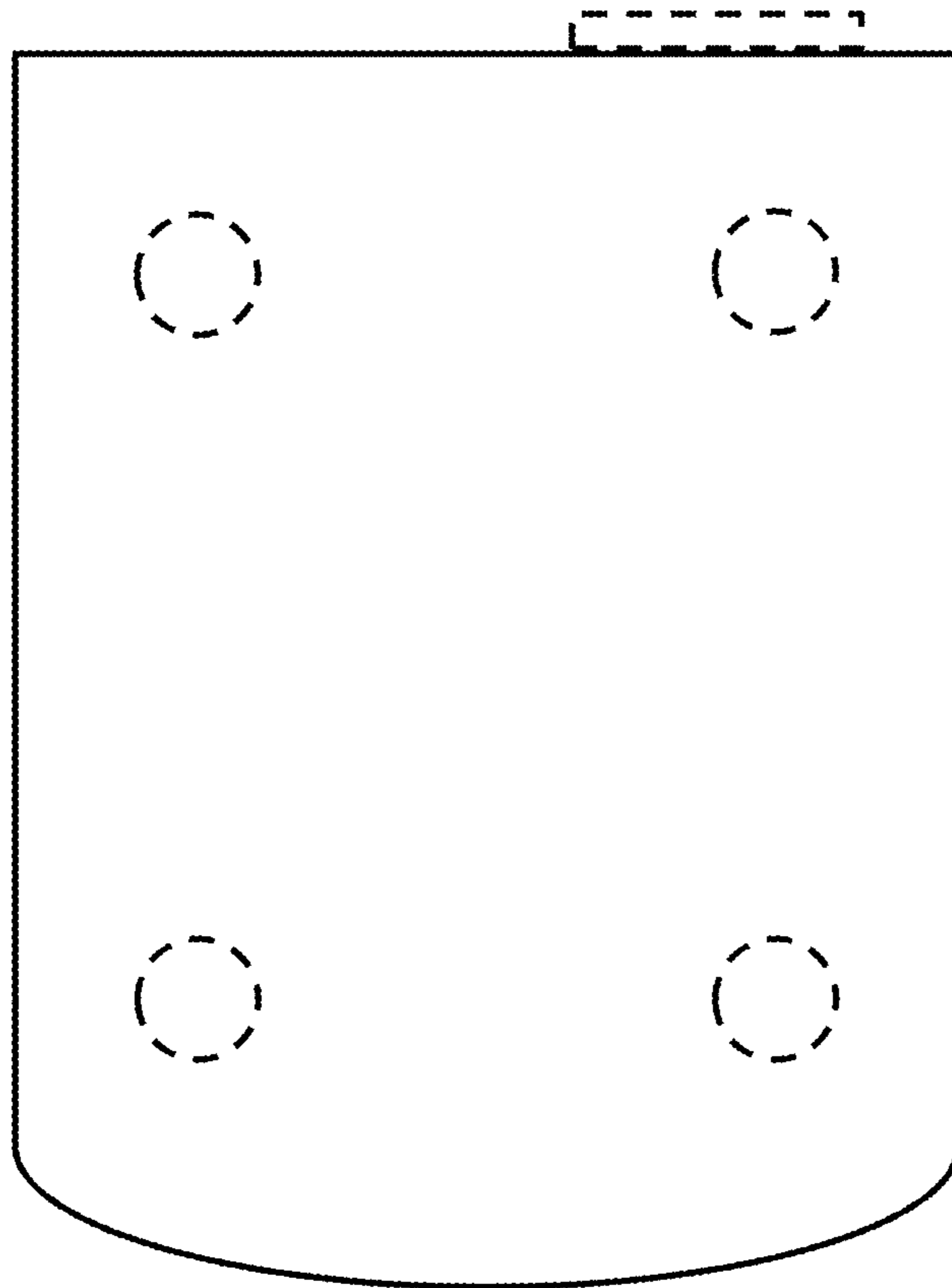


FIG. 20