



US00D822843S

(12) **United States Design Patent**
Lenke

(10) **Patent No.:** **US D822,843 S**
(45) **Date of Patent:** **** Jul. 10, 2018**

- (54) **VIBROMASSAGE DEVICE**
- (71) Applicant: **NOVOLUTO GmbH**, Metten (DE)
- (72) Inventor: **Michael Lenke**, Metten (DE)
- (73) Assignee: **NOVOLUTO GmbH**, Metten (DE)
- (**) Term: **15 Years**
- (21) Appl. No.: **29/590,450**
- (22) Filed: **Jan. 10, 2017**
- (51) **LOC (11) Cl.** **28-03**
- (52) **U.S. Cl.**
USPC **D24/215**
- (58) **Field of Classification Search**
USPC 362/4, 5, 6, 61, 175; 601/1, 6, 15, 16,
601/17, 18, 19, 20, 21, 22; 606/2, 9, 36;
607/2, 96, 98, 99, 115, 145, 148;
D10/46, 49, 50, 52, 57; D16/237, 239;
D24/200, 206, 209, 211, 212, 214, 215;
D26/1, 42, 45, 48, 49, 50, 51, 113;
D4/100, 102, 127, 137, 138; 15/22.1
CPC A61H 23/02; A61H 19/34; A61H 19/40;
A61H 2201/5097; A61H 7/004
See application file for complete search history.

- D666,303 S * 8/2012 Ding D24/215
 - D671,226 S * 11/2012 Aulwes D24/215
 - D689,382 S * 9/2013 Juhng D10/57
 - D693,247 S * 11/2013 Juhng D10/57
 - D708,440 S * 7/2014 Owen D4/102
- (Continued)

OTHER PUBLICATIONS

Ellaparadis, "Womanizer Plus Clit Stimulator". May 10, 2017.
<https://www.ellaparadis.com/sex-toys-for-women/the-womanizer/womanizer-plus-clitoral-stimulator-white-gold.html>. Shown on p. 1. (Year: 2017).*

Primary Examiner — Cynthia Ramirez
Assistant Examiner — Michael A Maharajh
(74) *Attorney, Agent, or Firm* — Greenberg Traurig, LLP

(57) **CLAIM**

The ornamental design for a vibromassage device, as shown and described.

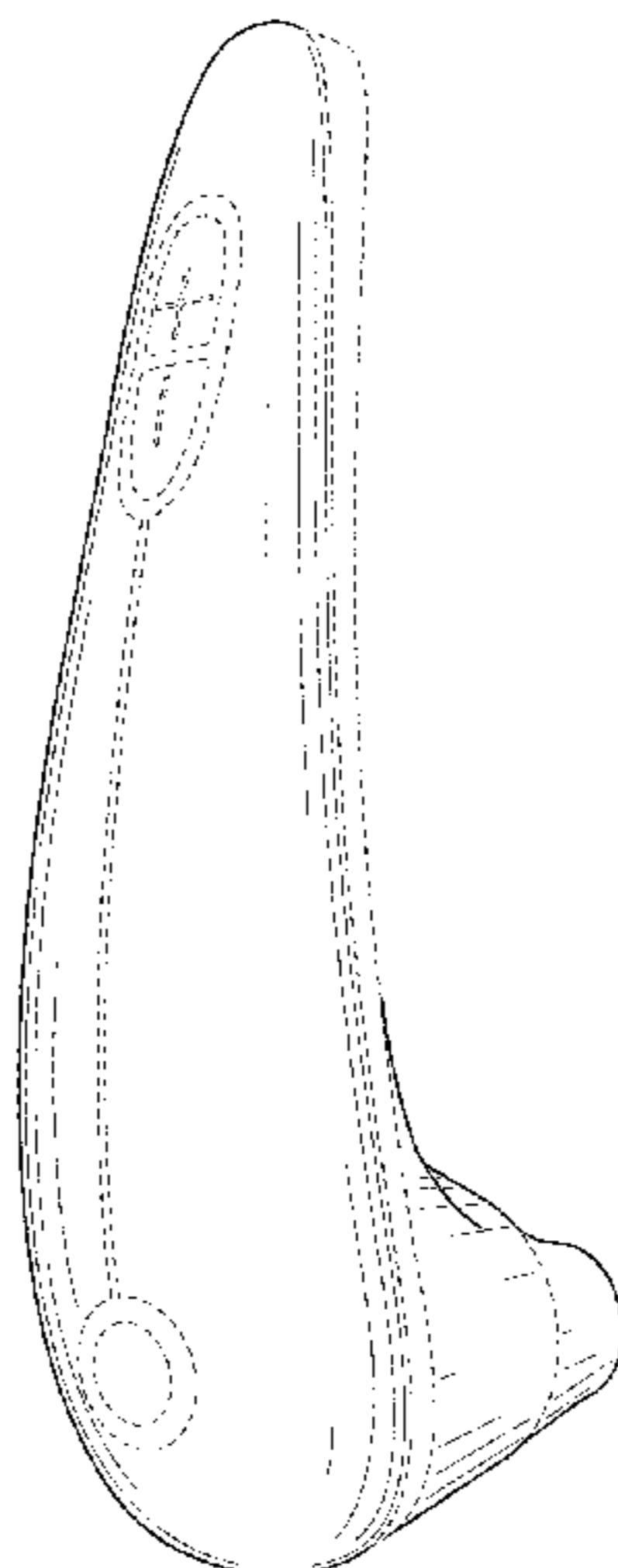
DESCRIPTION

FIG. 1 is a front perspective view of a vibromassage device showing my new design;
FIG. 2 is a front elevation view of the vibromassage device shown in FIG. 1;
FIG. 3 is a rear elevation view of the vibromassage device shown in FIG. 1;
FIG. 4 is a side elevation view of the vibromassage device shown in FIG. 1;
FIG. 5 is a top plan view of the vibromassage device shown in FIG. 1
FIG. 6 is a bottom view of the vibromassage device shown in FIG. 1; and,
FIG. 7 is a rear perspective view of the vibromassage device shown in FIG. 1.
The broken lines shown in the drawings are for the purpose of illustrating portions of the vibromassage device, which form no part of the claimed design.

1 Claim, 4 Drawing Sheets

(56) **References Cited**
U.S. PATENT DOCUMENTS

- D323,034 S * 1/1992 Reinstein D24/200
- D351,236 S * 10/1994 Held D24/215
- D359,563 S * 6/1995 Chi D24/214
- 5,662,593 A * 9/1997 Tillman A61H 15/0085
601/17
- D402,905 S * 12/1998 Kanza D10/57
- D414,582 S * 9/1999 Hwang D24/200
- D419,893 S * 2/2000 Cheng D10/57
- D463,862 S * 10/2002 Lau D24/214
- D478,385 S * 8/2003 Dirks D24/215
- D609,361 S * 2/2010 McGarry D24/209
- D612,510 S * 3/2010 Byle D24/210
- D621,950 S * 8/2010 Seki D24/209
- D652,523 S * 1/2012 Bradley D24/209



(56)

References Cited

U.S. PATENT DOCUMENTS

D759,256	S *	6/2016	Chen	D24/200
D768,309	S *	10/2016	Hetzel	D24/214
D768,310	S *	10/2016	Hetzel	D24/214
D794,854	S *	8/2017	Zepter	D24/200
D797,302	S *	9/2017	Vahlensieck	D24/209
D804,332	S *	12/2017	Lim	D10/57
D805,781	S *	12/2017	Szymanski	D4/102
D809,170	S *	1/2018	Marzynski	D26/45
D809,945	S *	2/2018	Prommel	D10/57
2008/0071138	A1 *	3/2008	Mertens	A61H 7/005 600/38
2016/0058509	A1 *	3/2016	Van De Wouw	A61B 18/203 606/9
2016/0120375	A1 *	5/2016	Philips	A47K 7/043 15/22.1
2017/0196801	A1 *	7/2017	Ghazvini	A61K 9/0009
2017/0281457	A1 *	10/2017	Witt	A61H 19/34
2018/0031089	A1 *	2/2018	Wong	F16H 25/186
2018/0031090	A1 *	2/2018	Wong	F16H 25/186

* cited by examiner

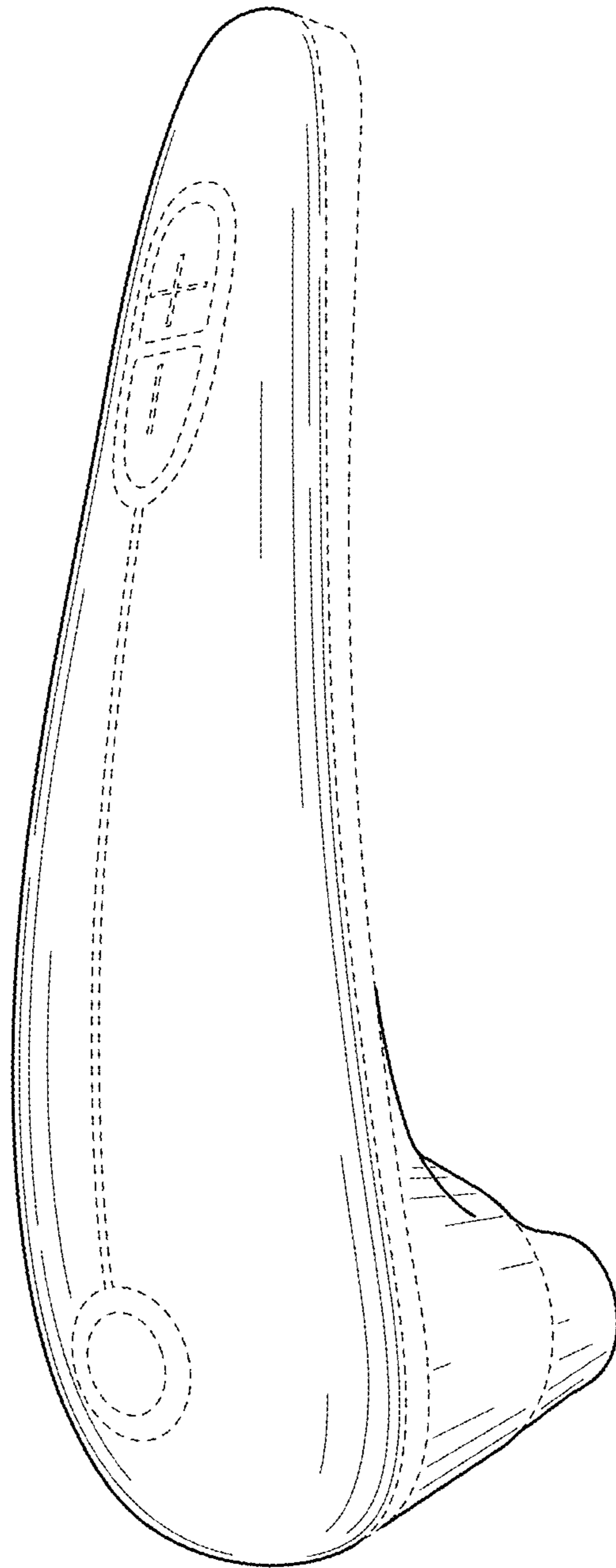


FIG. 1

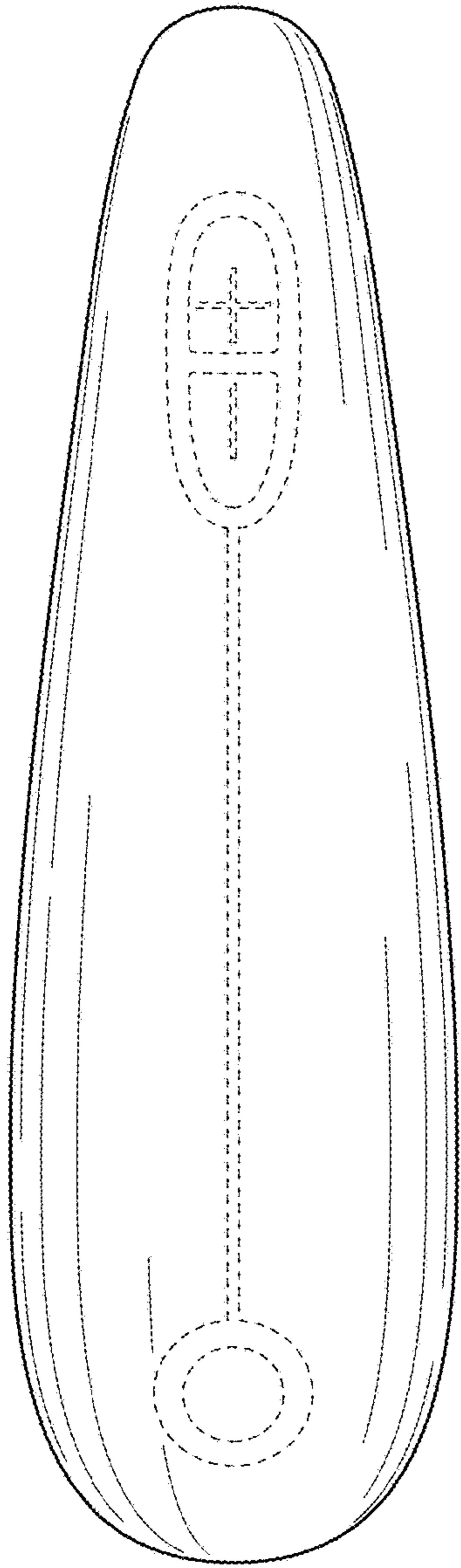


FIG. 2

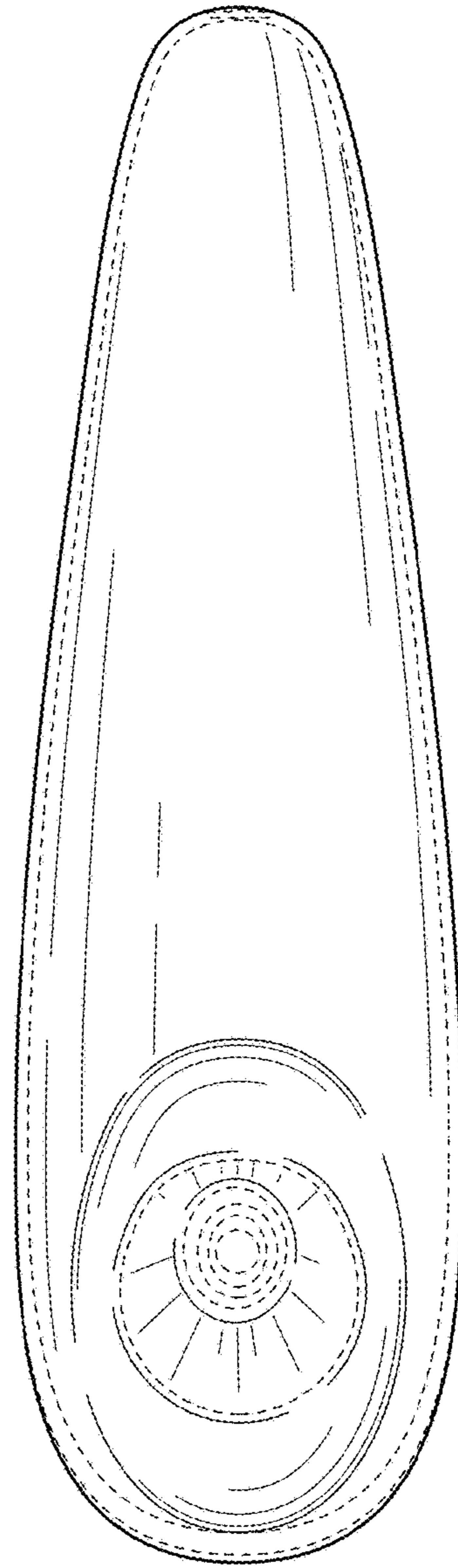


FIG. 3

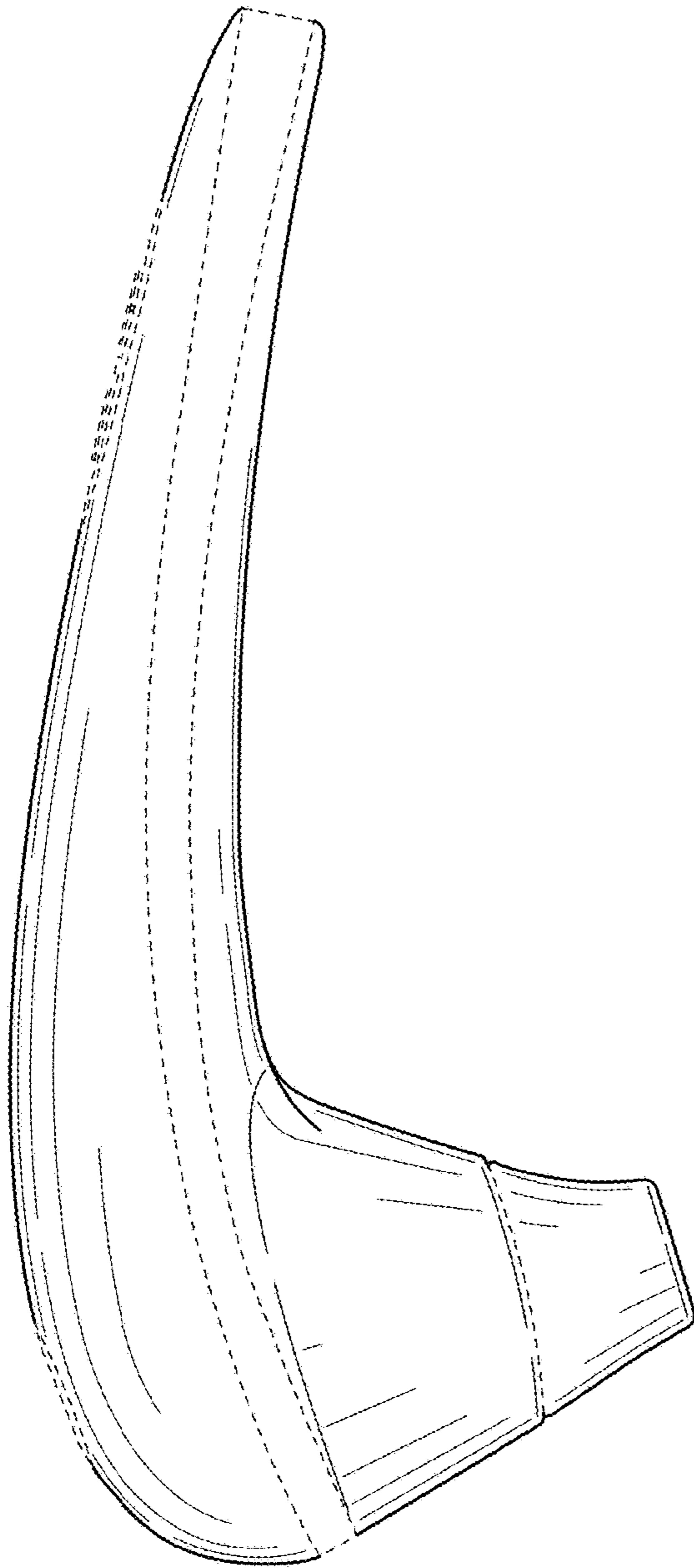


FIG. 4

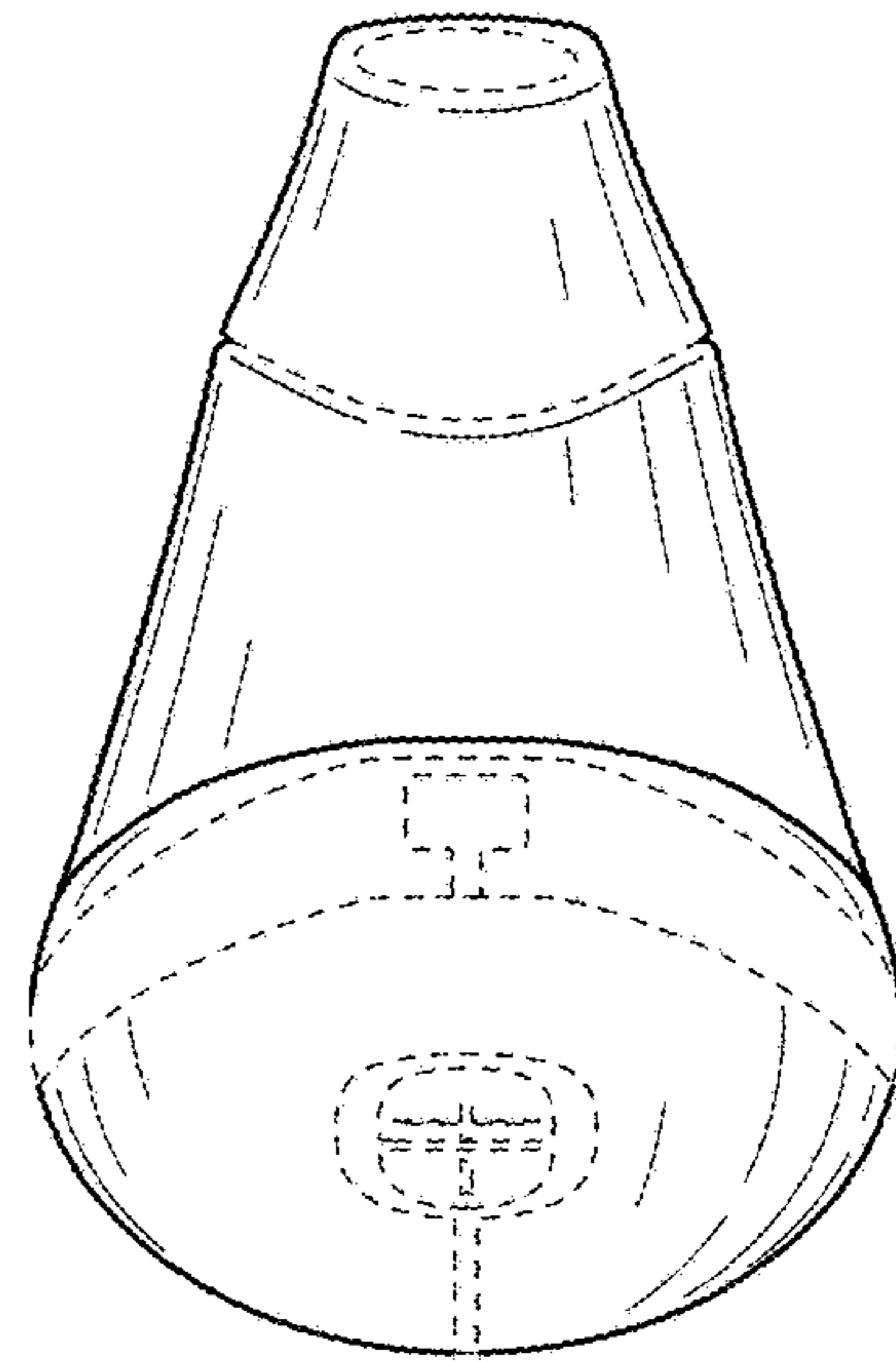


FIG. 5

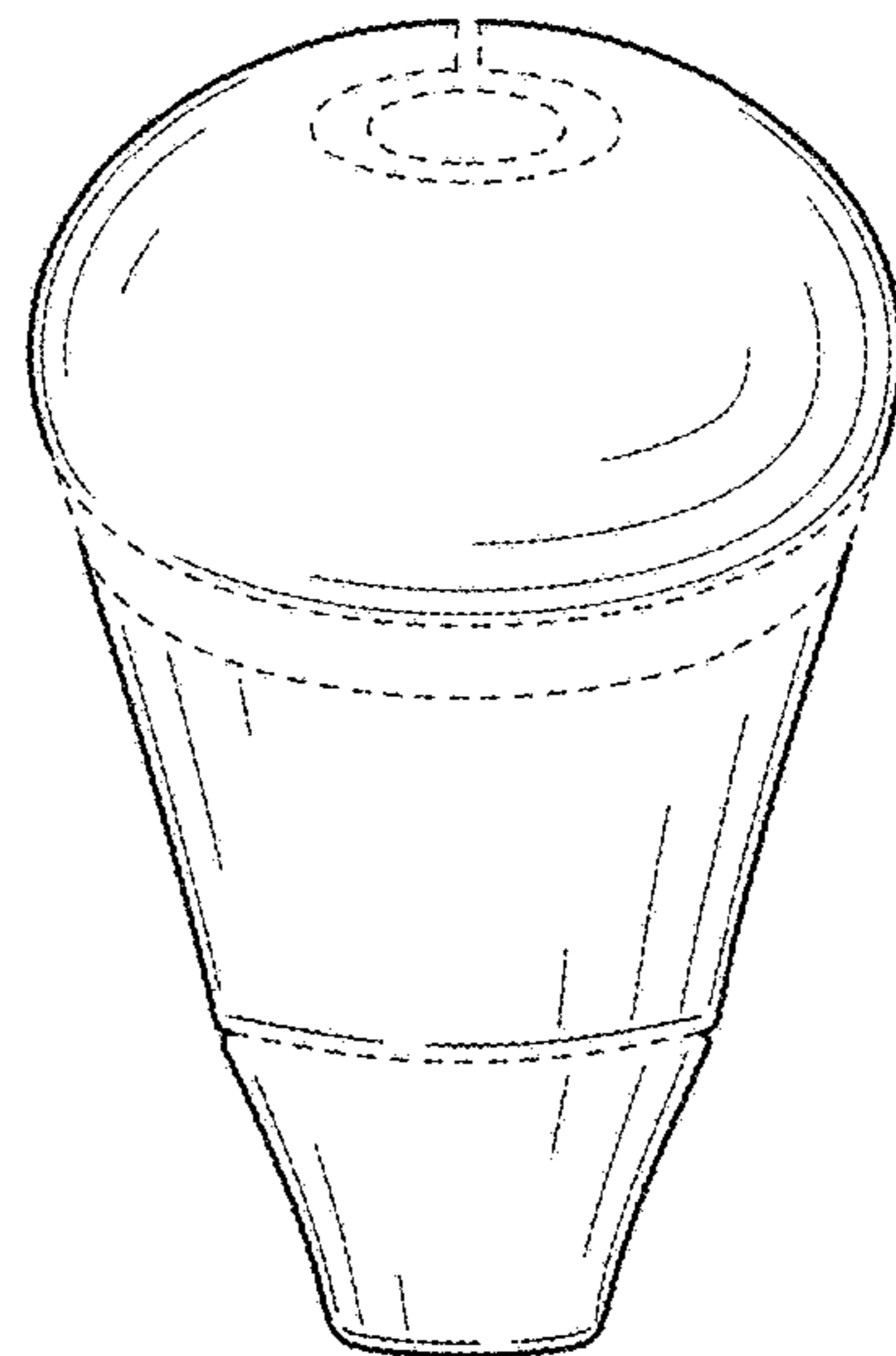


FIG. 6

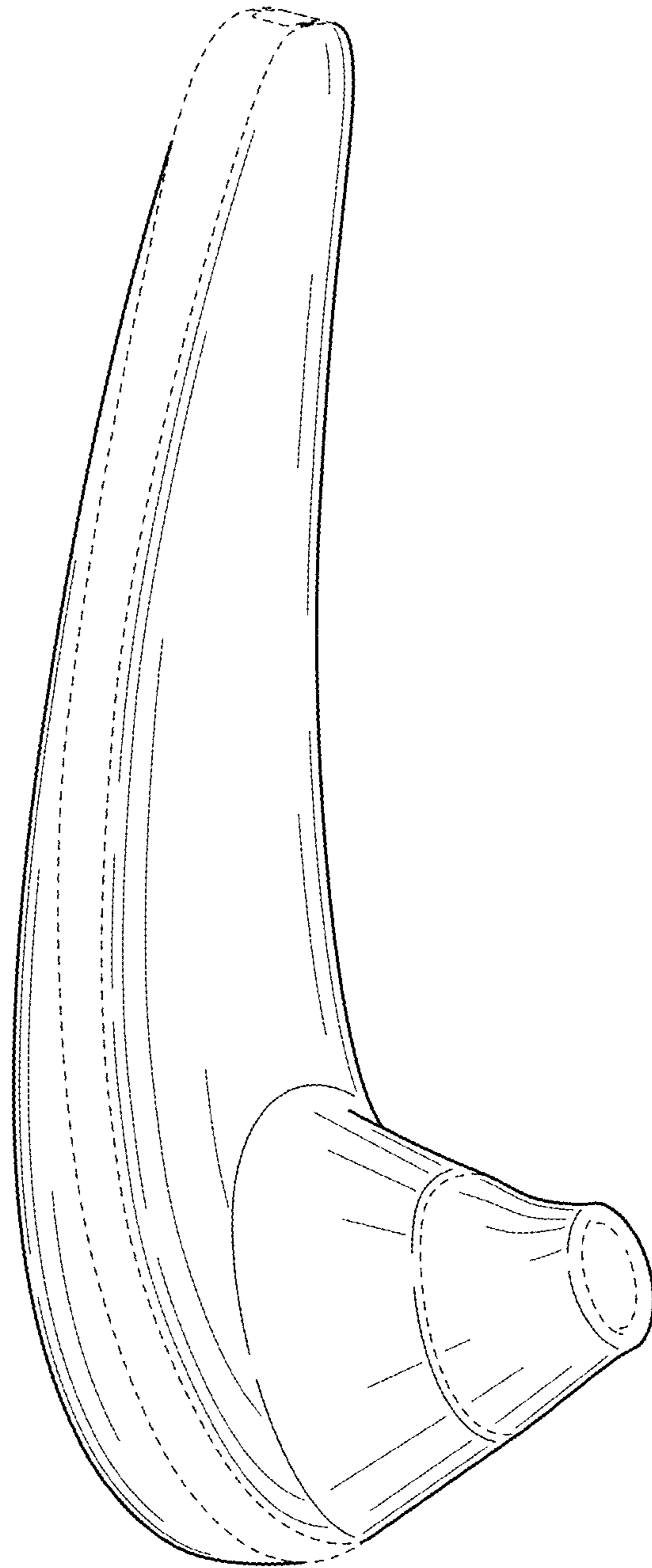


FIG. 7