



US00D822842S

(12) **United States Design Patent** (10) **Patent No.:** **US D822,842 S**
Viner et al. (45) **Date of Patent:** **** Jul. 10, 2018**

(54) **MESSAGE SPHERE**

(71) Applicants: **Victor Viner**, Northfield, IL (US);
Gilberto Cavada, Jr., Wauconda, IL
(US); **Thomas Patrick-Lee O'Connor**,
Chicago, IL (US)

(72) Inventors: **Victor Viner**, Northfield, IL (US);
Gilberto Cavada, Jr., Wauconda, IL
(US); **Thomas Patrick-Lee O'Connor**,
Chicago, IL (US)

(73) Assignee: **V2 Fitness LLC**, Lake Zurich, IL (US)

(**) Term: **15 Years**

(21) Appl. No.: **29/604,445**

(22) Filed: **May 17, 2017**

(51) **LOC (11) Cl.** **28-03**

(52) **U.S. Cl.**

USPC **D24/211**

(58) **Field of Classification Search**

USPC 482/49, 121, 148; 601/23, 46, 67, 69,
601/80, 131, 134, 135, 136, 137;
D21/662, 684, 713, 714, 682, 707;
D24/200, 211, 212, 213, 214, 215, 224

CPC . A61H 15/00; A61H 15/0092; A63B 21/4043
See application file for complete search history.

(56) **References Cited**

U.S. PATENT DOCUMENTS

D287,988 S * 1/1987 Billingham D21/468
4,726,357 A * 2/1988 DeStefano A61H 31/007
D24/211
5,735,776 A * 4/1998 Swezey A63B 21/0085
482/148
D400,620 S * 11/1998 Barton, Jr. D21/713
D468,235 S * 1/2003 Yamazaki D21/714
8,235,878 B2 * 8/2012 Signorile A63B 26/003
482/142

D707,303 S * 6/2014 Saber D21/707
D741,422 S * 10/2015 Holland D21/713
D741,423 S * 10/2015 Holland D21/713
D744,113 S * 11/2015 Matsushita D24/211
D748,747 S * 2/2016 Holland D21/713
D781,973 S * 3/2017 Wills D21/707
D782,586 S * 3/2017 Wills D21/707
D798,969 S * 10/2017 Lozito D21/682
D800,334 S * 10/2017 Kasuto D24/224

(Continued)

OTHER PUBLICATIONS

Amazon, "MojiHeat 2" Heated Massage Ball, Dual Therapy Mes-
sage Ball, Oct. 27, 2017. <https://www.amazon.com/MojiHeat-Heated-Massage-Ball-Therapy/dp/B075K9L3V1#customerReviews>. Shown on p. 1. (Year: 2017).*

Primary Examiner — Cynthia Ramirez

Assistant Examiner — Michael A Maharajh

(74) *Attorney, Agent, or Firm* — Vitale, Vickrey, Niro &
Gasey LLP

(57) **CLAIM**

The ornamental design for a massage sphere, as shown and
described.

DESCRIPTION

FIG. 1 is a perspective view of a massage sphere of the
present invention;

FIG. 2 is a top view of the massage sphere of the present
invention;

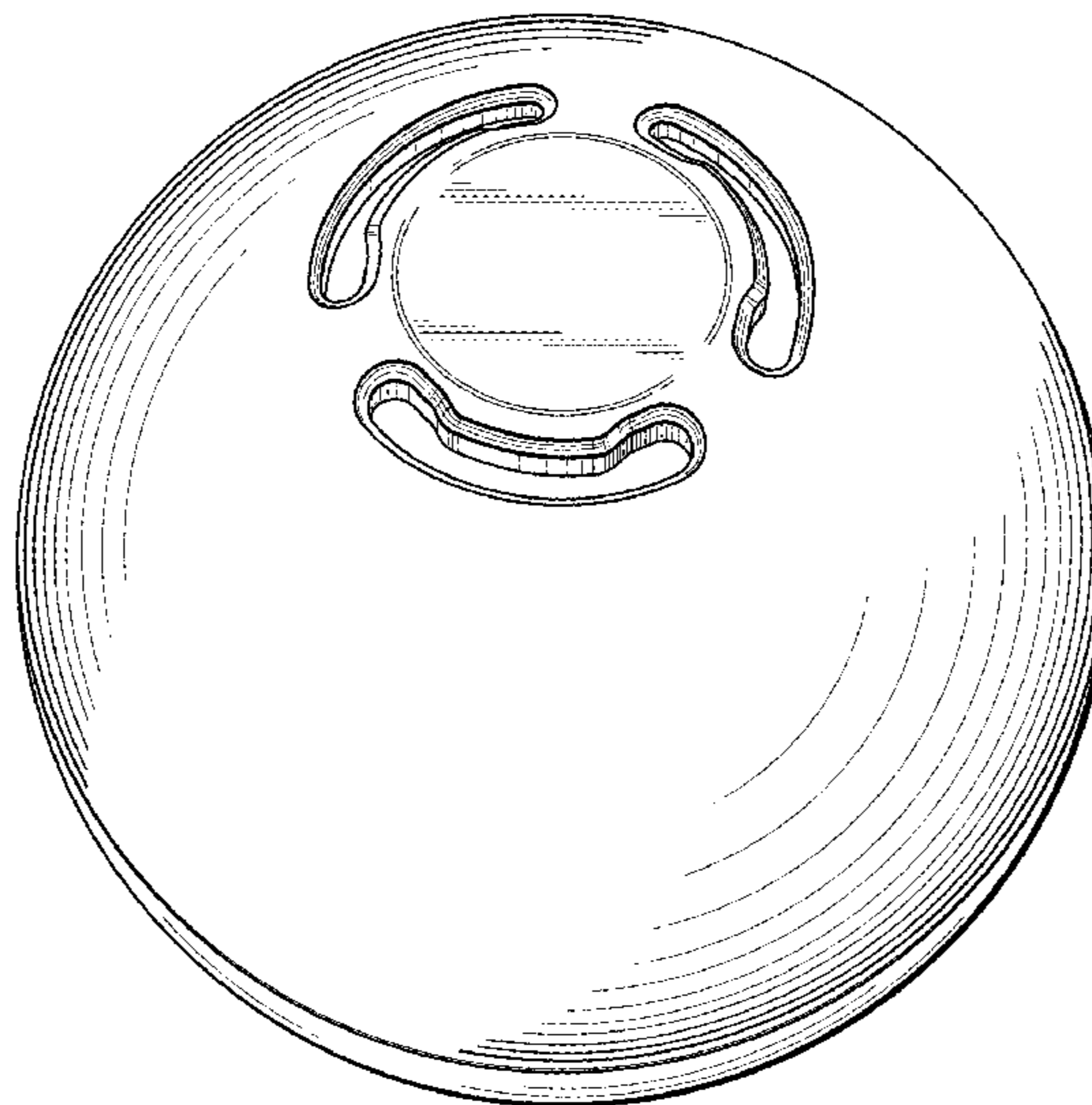
FIG. 3 is a side view of the massage sphere of the present
invention;

FIG. 4 is a second side view of the massage sphere of the
present invention;

FIG. 5 is a third side view of the massage sphere of the
present invention; and,

FIG. 6 is a fourth side view of the massage sphere of the
present invention.

1 Claim, 4 Drawing Sheets



(56)

References Cited

U.S. PATENT DOCUMENTS

2006/0063653 A1* 3/2006 Wickens A63B 41/00
482/148
2015/0224016 A1* 8/2015 Holland A61H 15/00
601/131
2016/0038793 A1* 2/2016 Kikel A63B 43/04
310/38
2017/0259104 A1* 9/2017 Bradford A63B 21/0607

* cited by examiner

Fig. 1

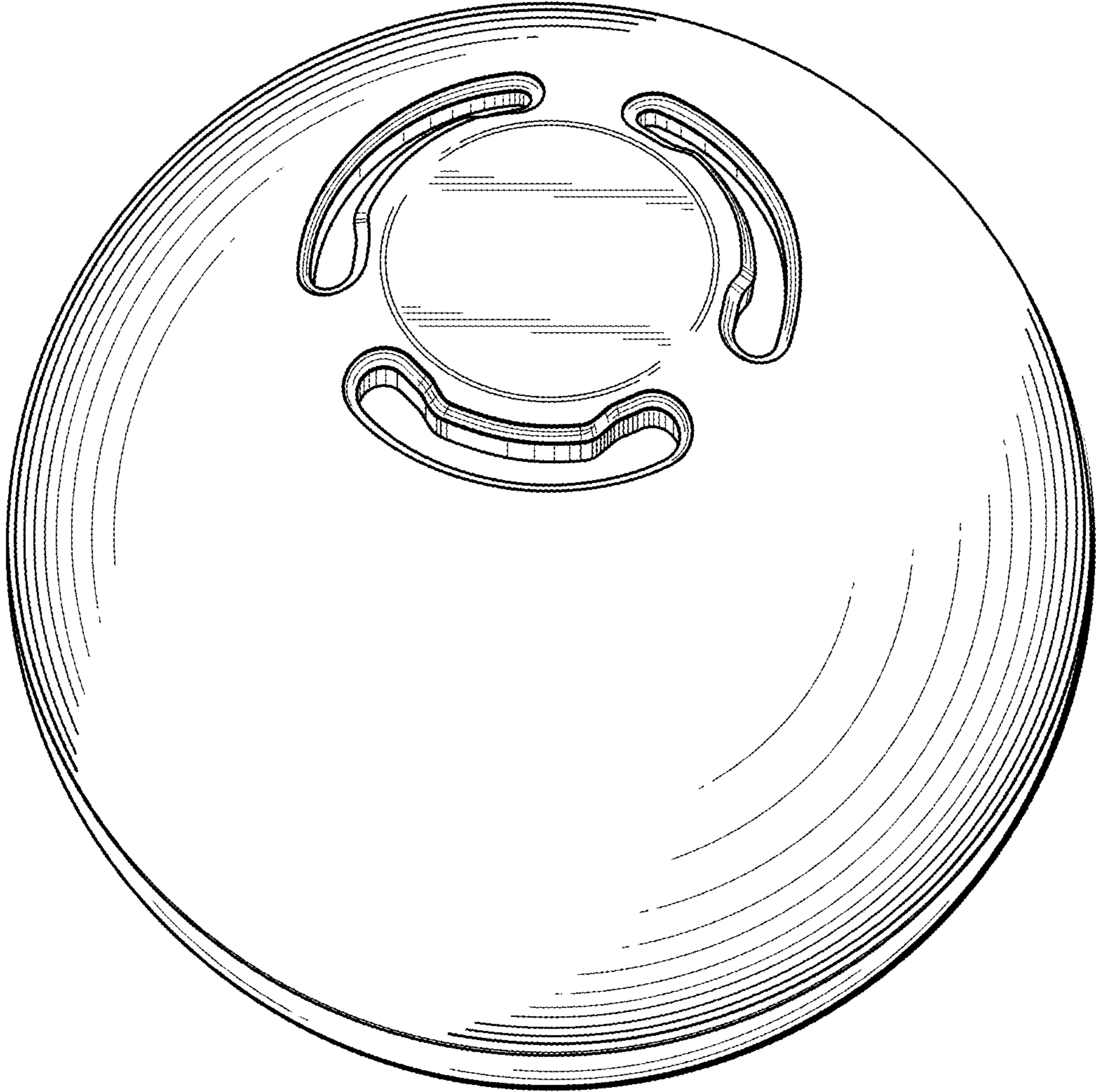


Fig. 2

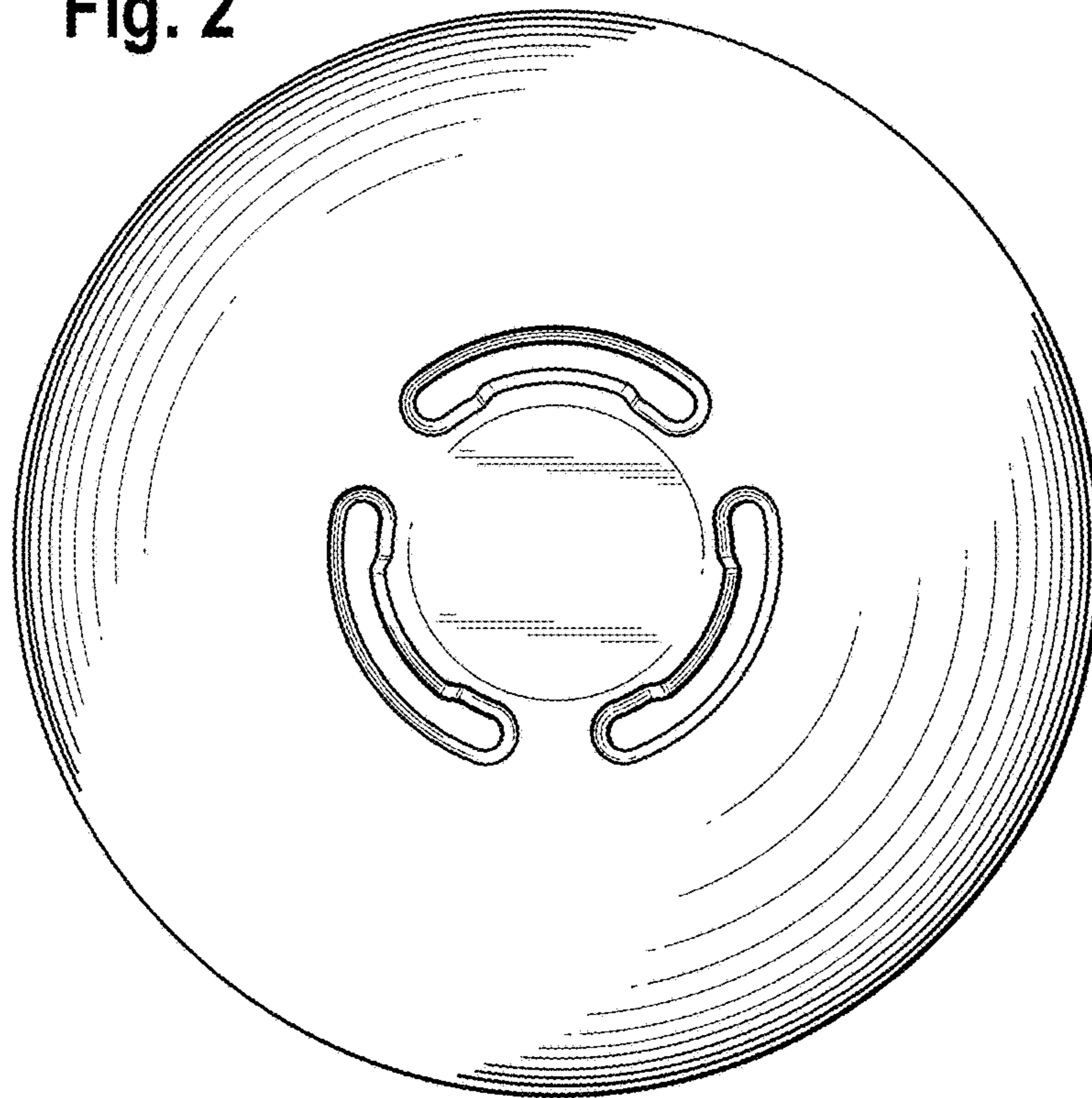


Fig. 3

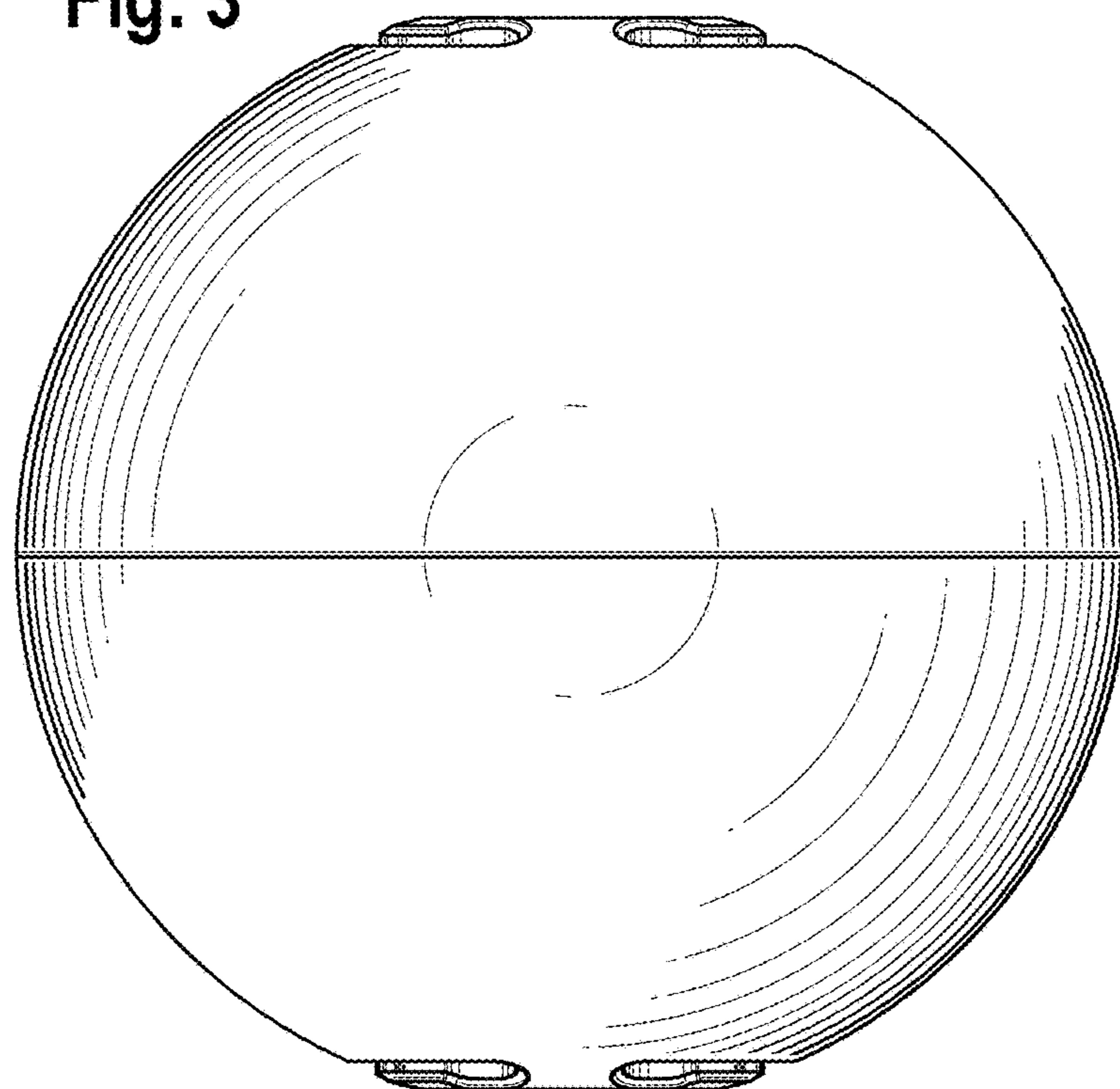


Fig. 4

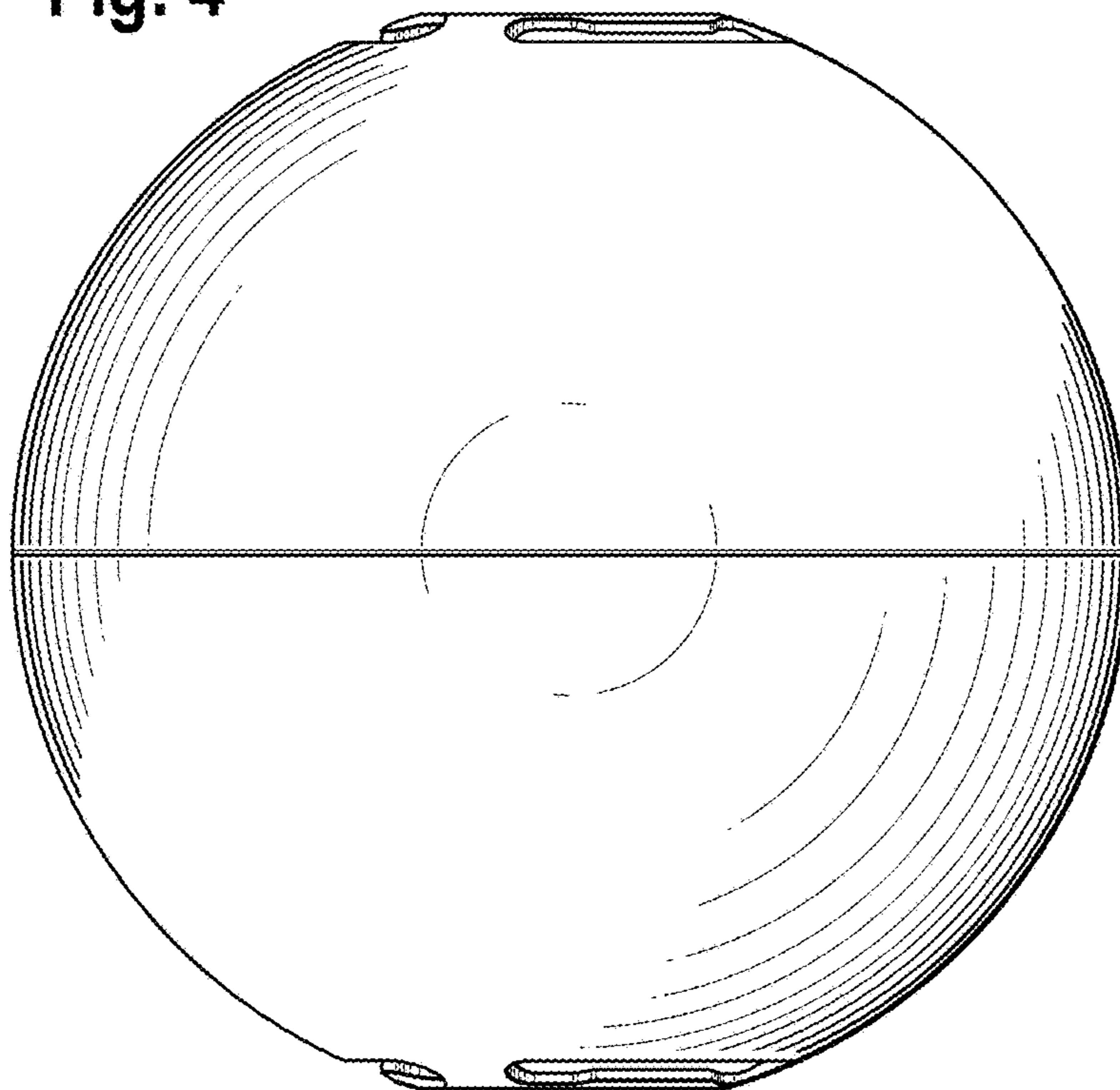


Fig. 5

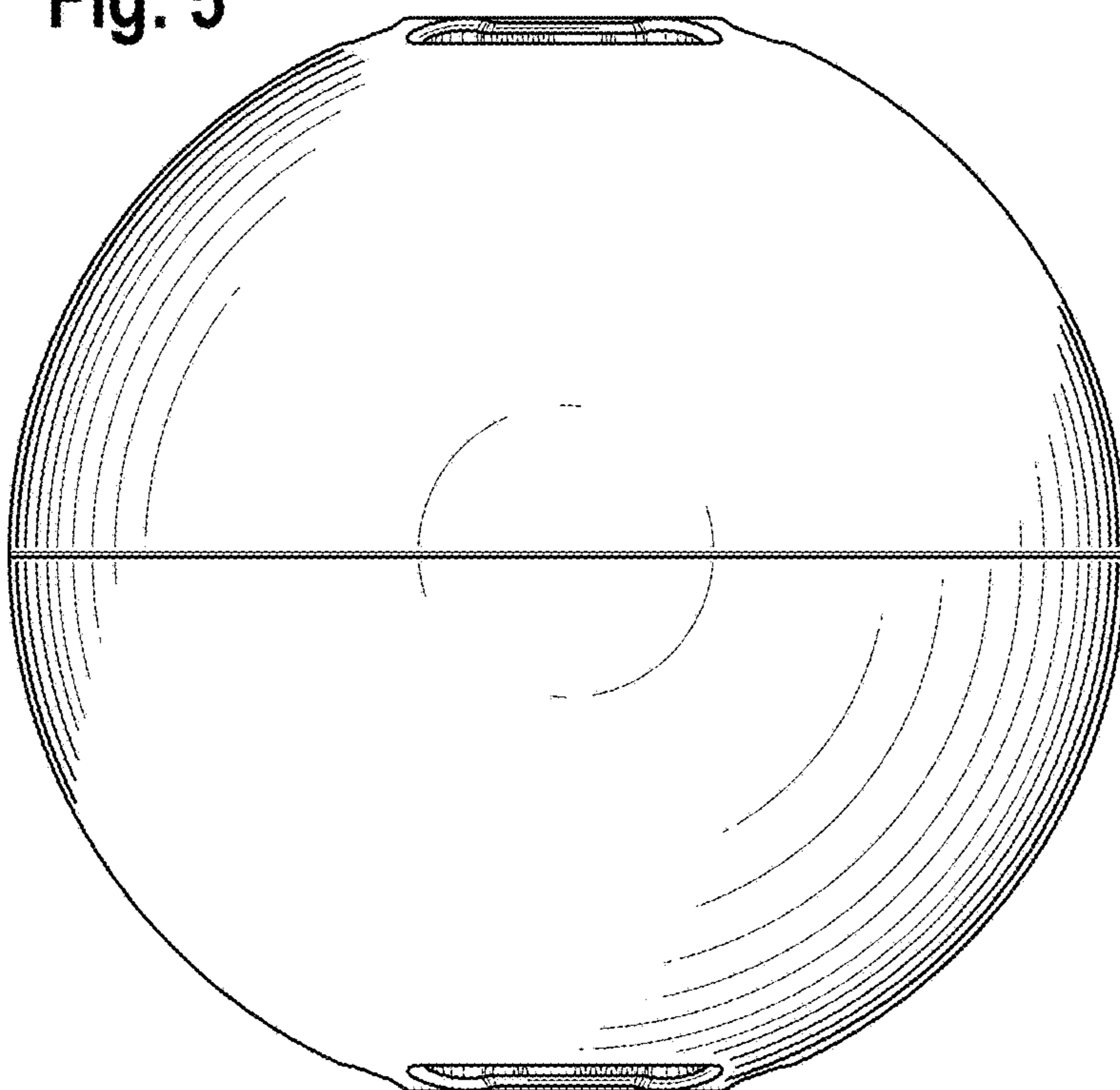


Fig. 6

