



US00D822841S

(12) **United States Design Patent**
Cheng

(10) **Patent No.:** **US D822,841 S**
(45) **Date of Patent:** **** Jul. 10, 2018**

(54) **THERMAL THERAPEUTIC APPARATUS**

(71) Applicant: **HUNTKEY JAPAN Inc.**, Tokyo (JP)

(72) Inventor: **Luo Cheng**, Tokyo (JP)

(73) Assignee: **HUNTKEY JAPAN INC.**, Tokyo (JP)

(**) Term: **15 Years**

(21) Appl. No.: **29/572,540**

(22) Filed: **Jul. 28, 2016**

(30) **Foreign Application Priority Data**

Jun. 29, 2016 (JP) 2016-013745

(51) **LOC (11) Cl.** **24-04**

(52) **U.S. Cl.**
USPC **D24/206**

(58) **Field of Classification Search**
USPC D24/200, 206, 214, 215; D28/9, 13,
D28/29.1; 601/1, 15, 46, 48, 64, 80;
607/1, 9, 96, 98, 99, 102; 235/462.1,
235/472.01

CPC A61H 7/00; A61H 9/00; A61F 7/00; A61F
7/007; A61F 7/12; A61F 2007/0075;
A61F 2007/0004; A61F 2007/0087; A61F
2007/0071; A61F 2007/0096; A61N 5/00;
G06K 7/10

See application file for complete search history.

(56) **References Cited**

U.S. PATENT DOCUMENTS

D274,551 S * 7/1984 Benjamin D28/13
D288,841 S * 3/1987 Steinel D23/332
D298,775 S * 11/1988 Lee D24/214
D321,056 S * 10/1991 Chambers D24/211
D338,964 S * 8/1993 Tarjoto A61H 7/00
D24/200

D350,217 S * 8/1994 Rizzuto, Jr. D28/13
D355,048 S * 1/1995 Soresina D28/13
D388,298 S * 12/1997 Jerdee D8/29.1
D407,498 S * 3/1999 Cooper D24/214
6,223,988 B1 * 5/2001 Batterman G06K 7/1092
235/462.1
D479,680 S * 9/2003 Blackburn D8/71
D526,417 S * 8/2006 Masuda D24/214
D527,145 S * 8/2006 Zimmermann D28/13
D582,048 S * 12/2008 Chiu D24/200
D648,435 S * 11/2011 Brodbeck D24/146
D659,843 S * 5/2012 Wang D24/200
D775,764 S * 1/2017 Prat-Pfister D28/13

(Continued)

FOREIGN PATENT DOCUMENTS

JP 54-118688 9/1979
JP 59-38915 3/1984
JP 10-295717 11/1998

(Continued)

Primary Examiner — Wan Laymon

Assistant Examiner — Clint A Samuel

(74) *Attorney, Agent, or Firm* — Wenderoth, Lind &
Ponack, L.L.P.

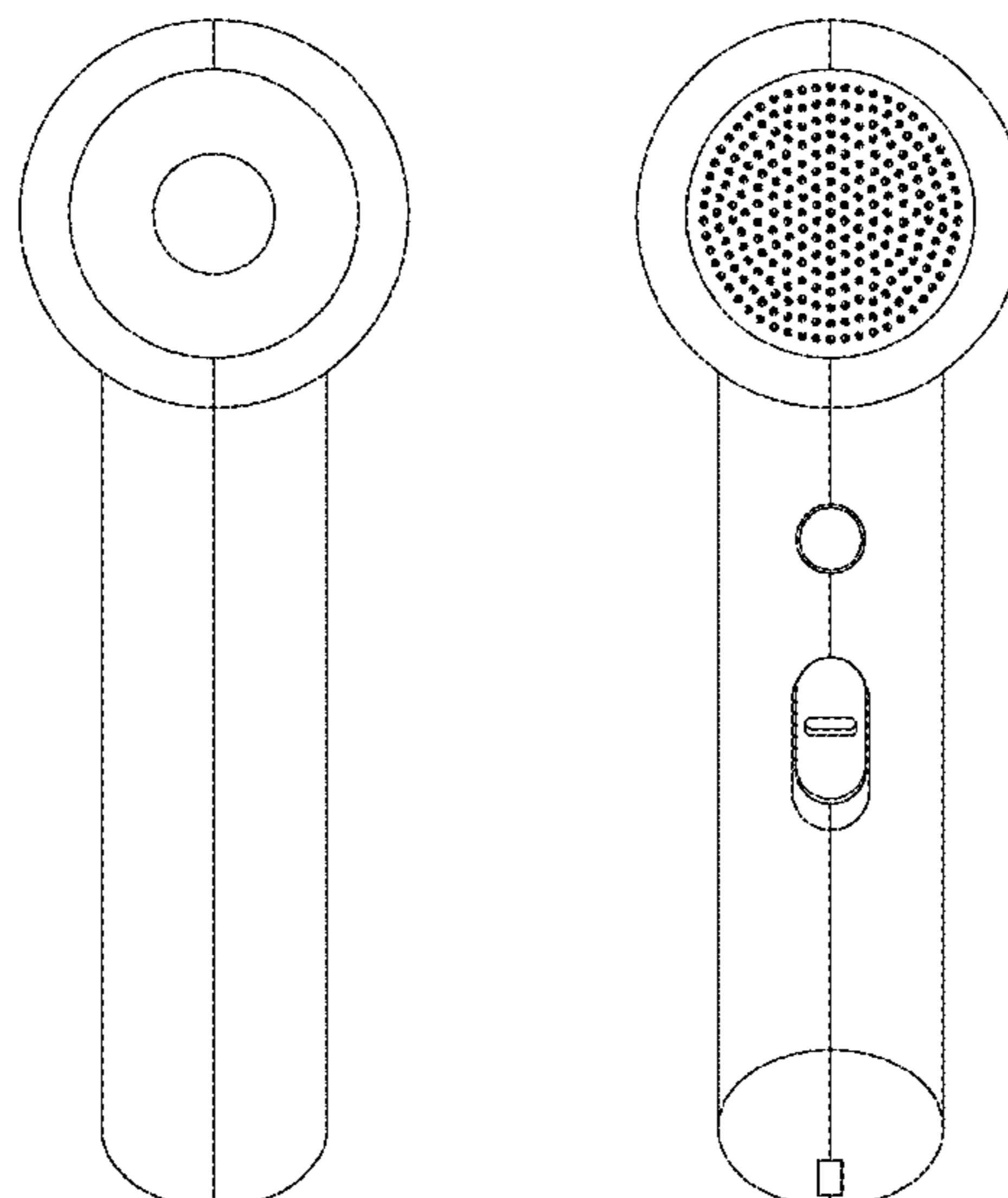
(57) **CLAIM**

The ornamental design for a thermal therapeutic apparatus,
as shown and described.

DESCRIPTION

FIG. 1 is a front view of a thermal therapeutic apparatus;
FIG. 2 is a right side view of a thermal therapeutic apparatus;
FIG. 3 is a left side view of a thermal therapeutic apparatus;
FIG. 4 is a rear view of a thermal therapeutic apparatus;
FIG. 5 is a top side view of a thermal therapeutic apparatus;
and,
FIG. 6 is a bottom view of a thermal therapeutic apparatus.

1 Claim, 6 Drawing Sheets



(56)

References Cited

U.S. PATENT DOCUMENTS

D794,854 S * 8/2017 Zepter D24/200
2010/0274162 A1* 10/2010 Evans A61F 7/007
601/15

FOREIGN PATENT DOCUMENTS

JP 2002-331012 11/2002
JP 2004-167204 6/2004
JP 2015-150033 8/2015

* cited by examiner

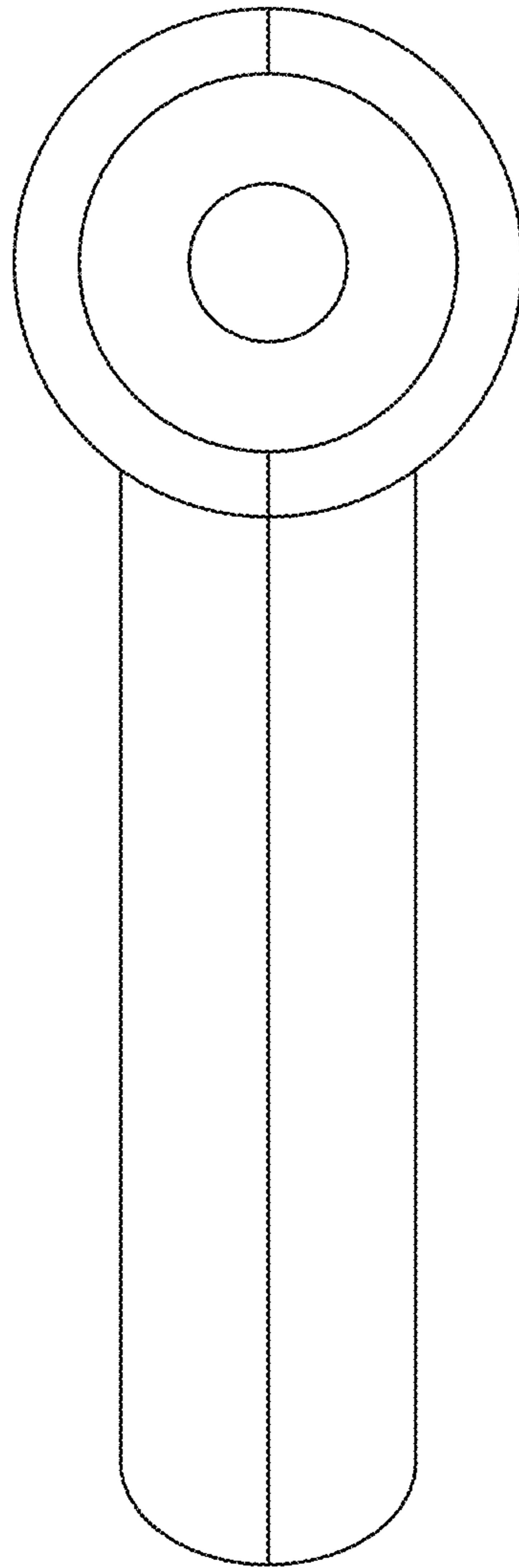


Fig. 1

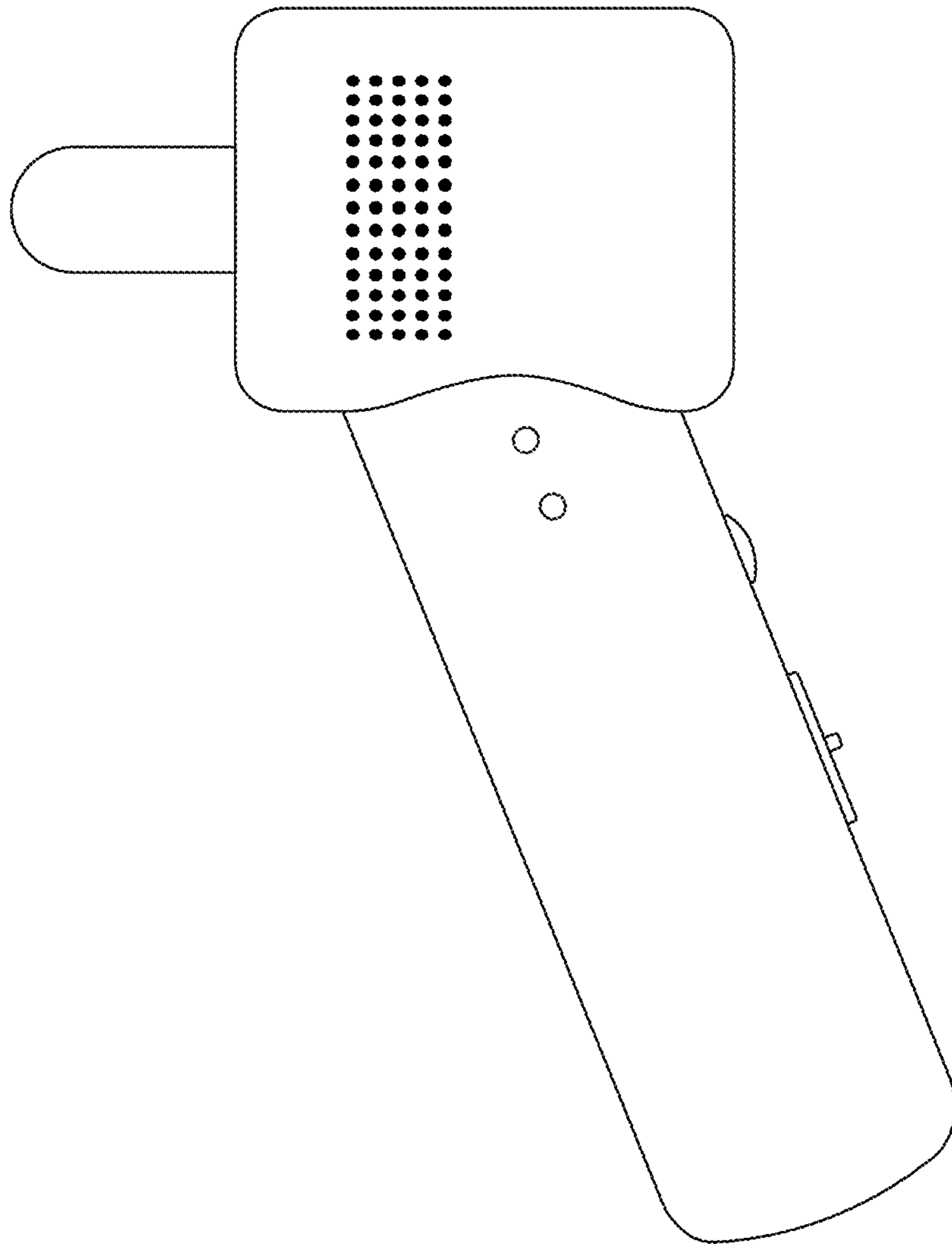


Fig. 2

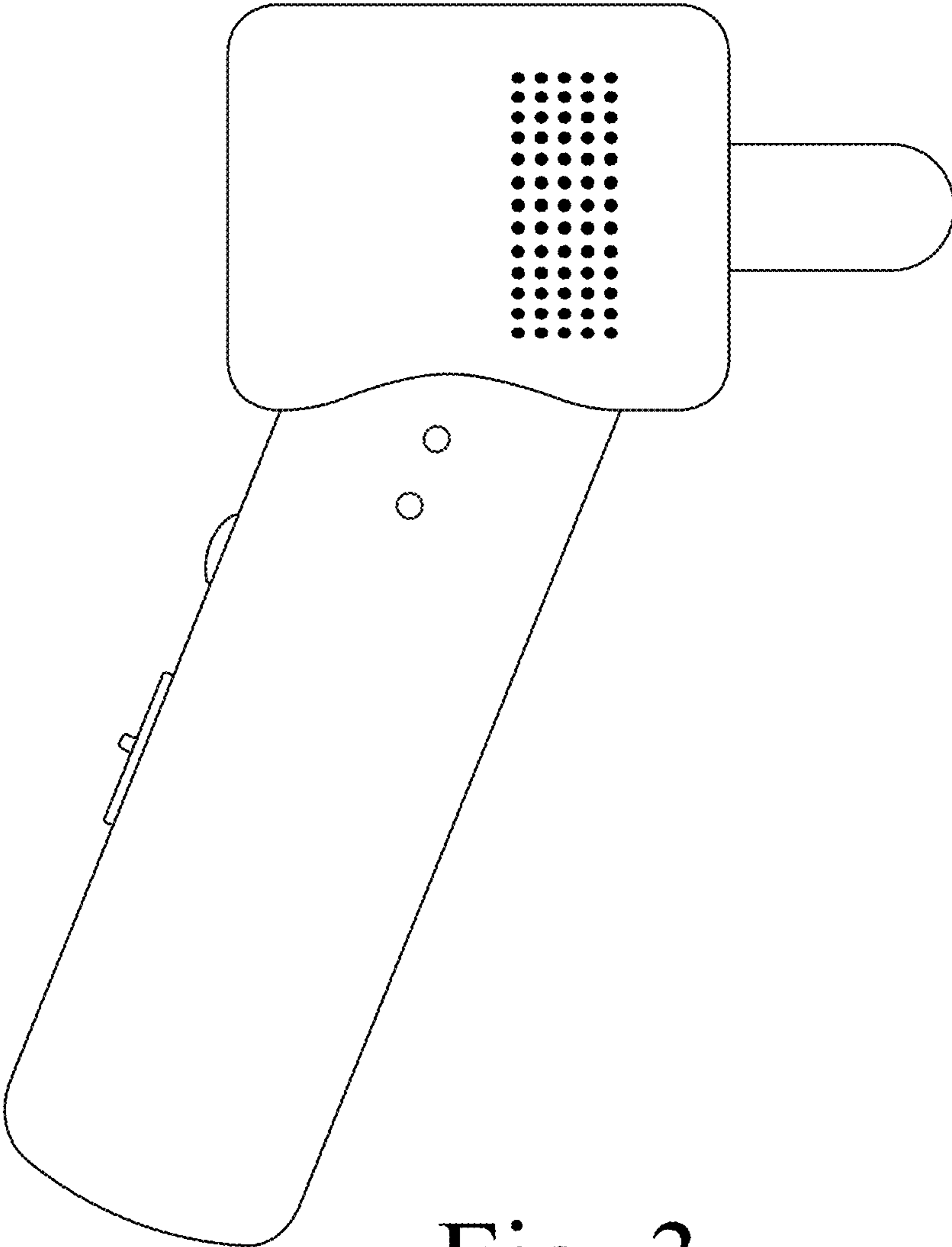


Fig. 3

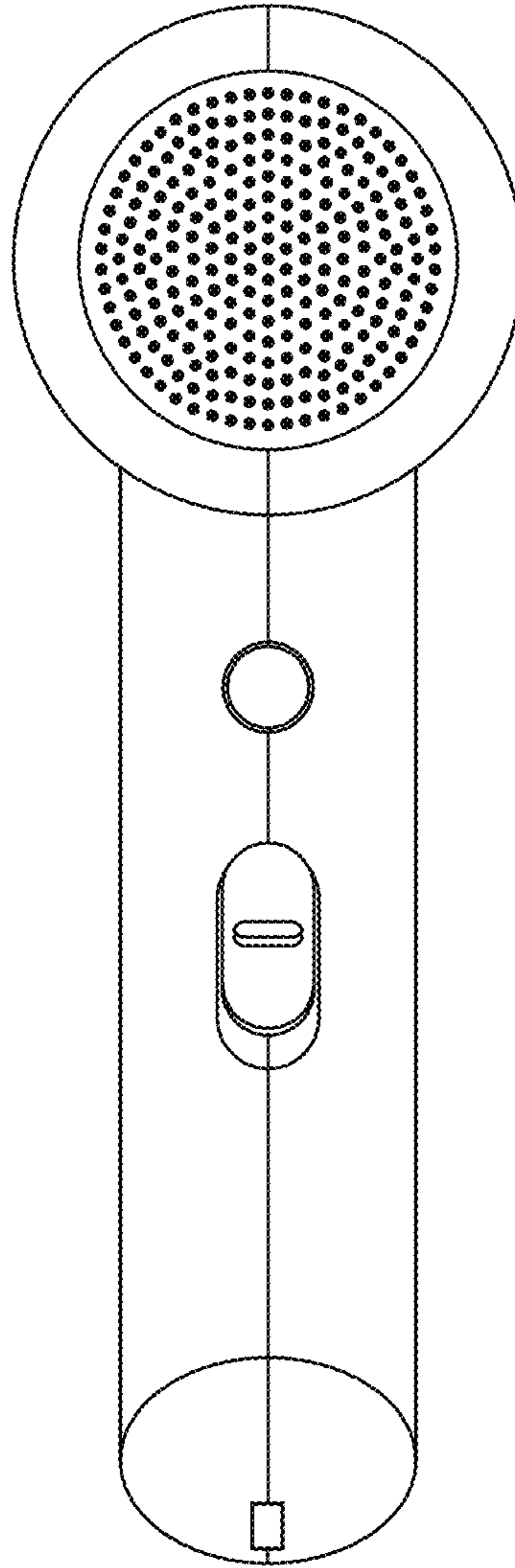


Fig. 4

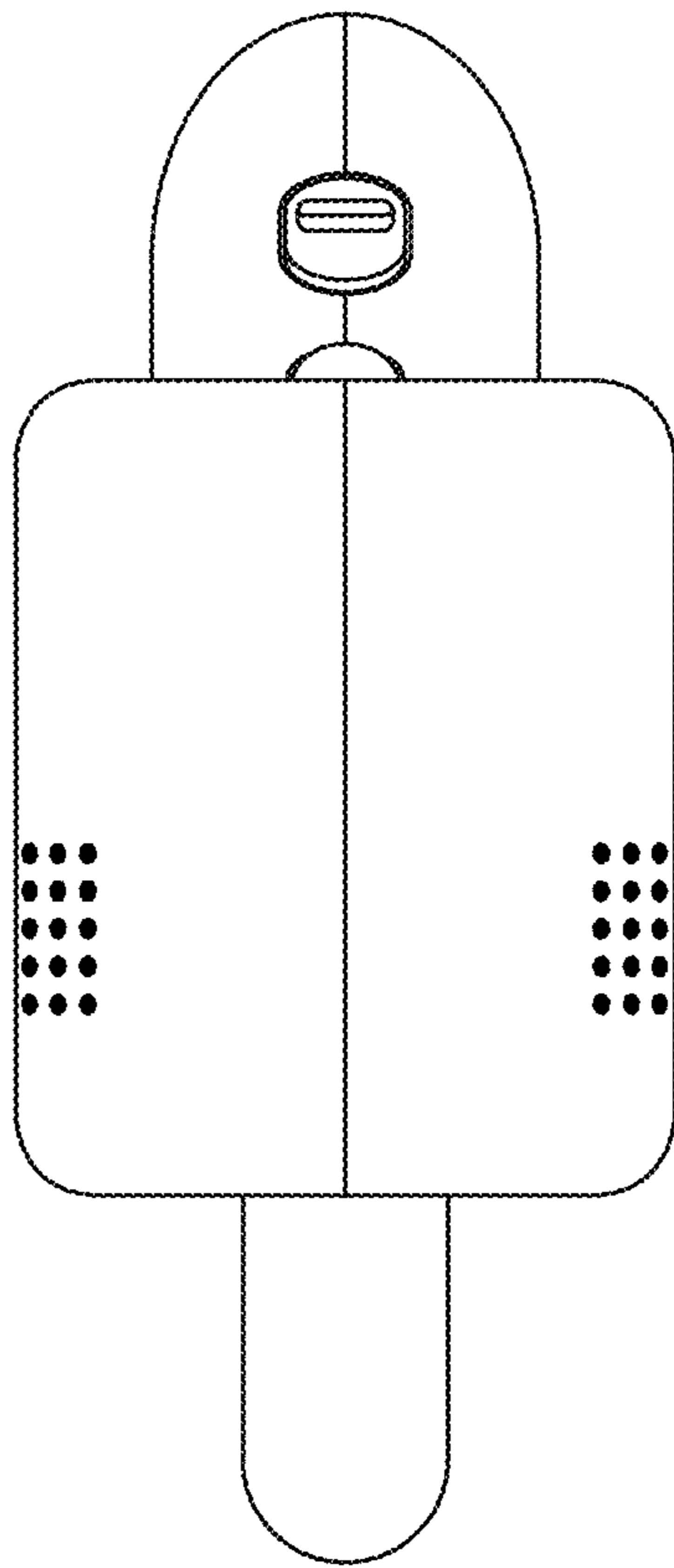


Fig. 5

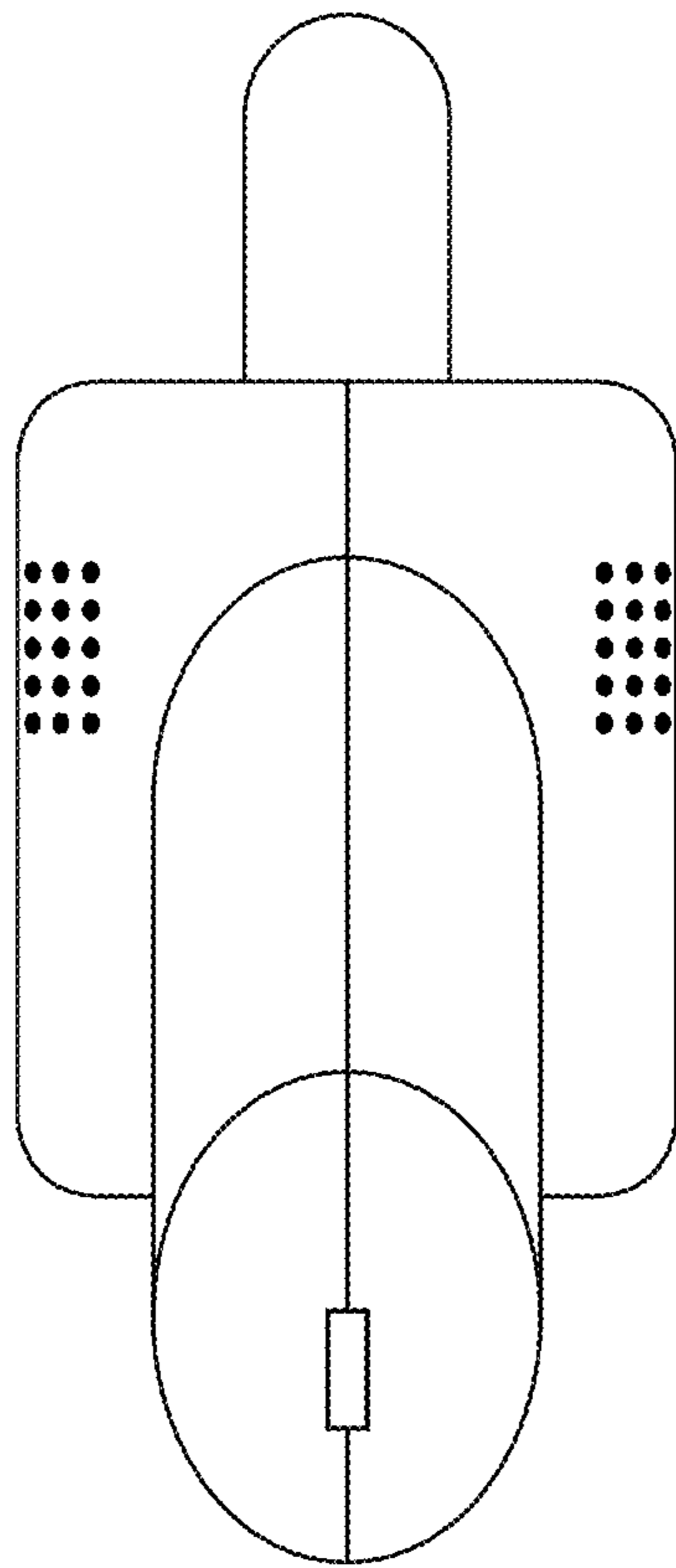


Fig. 6