



US00D822839S

(12) **United States Design Patent** (10) **Patent No.:** **US D822,839 S**
Clores (45) **Date of Patent:** **** Jul. 10, 2018**

(54) **BABY BOTTLE**

- (71) Applicant: **Edgardo Clores**, Las Vegas, NV (US)
- (72) Inventor: **Edgardo Clores**, Las Vegas, NV (US)
- (73) Assignee: **MACE CORPORATION**, Las Vegas, NV (US)
- (**) Term: **15 Years**
- (21) Appl. No.: **29/558,679**
- (22) Filed: **Mar. 21, 2016**
- (51) **LOC (11) Cl.** **07-01**
- (52) **U.S. Cl.**
USPC **D24/197**
- (58) **Field of Classification Search**
USPC D24/193, 194, 195, 196, 197, 198, 199,
D24/207; D7/392, 510, 511, 517, 539,
D7/619.2; D9/516, 530, 719, 761
CPC A61J 9/00; A61J 9/0623
See application file for complete search history.

(56) **References Cited**

U.S. PATENT DOCUMENTS

5,842,901	A *	12/1998	Montgomery	A61J 9/00 446/77
D404,824	S *	1/1999	Neiley	D24/197
D415,654	S *	10/1999	Forrer	D7/510
D542,923	S *	5/2007	Merkin	D24/197
H2200	H *	9/2007	Horton	D24/197
D590,950	S *	4/2009	Driver	D24/197
D627,894	S *	11/2010	Sirota	D24/197
D641,888	S *	7/2011	Jenkins	D24/197
D648,857	S *	11/2011	Pheil	D24/197
2003/0226816	A1 *	12/2003	Kipperman	A61J 9/00 215/11.1
2007/0108152	A1 *	5/2007	Horton	A61J 9/00 215/11.1
2011/0024537	A1 *	2/2011	Gonzalez	A47J 43/046 241/101.2

OTHER PUBLICATIONS

“Medela Breastmilk Freezing & Storage Containers”. Found online Feb. 12, 2018 at mazon.ca. Page dated Feb. 13, 2012. Retrieved from https://www.amazon.ca/Medela-Breastmilk-Freezing-Storage-Containers/dp/B000WKNW2Q/ref=sr_1_14?ie=UTF8&qid=1518468860&sr=8-14&keywords=breastmilk+storage.*

“The Wise Baby: best on the go bottle—the mixie”. Found online Jun. 19, 2015 at thewisebaby.com. Page dated Apr. 11, 2013. Retrieved from <http://www.thewisebaby.com/best-on-the-go-bottle-the-mixie/>.*

“Mii 2 Pack Forever Nurser Bottle”. Found online May 22, 2018 at amazon.com. Page dated Oct. 12, 2013. Retrieved from https://www.amazon.com/...-4-Ounce-Discontinued-Manufacturer/dp/B007CJKXPO/ref=sr_1_2_s_it?s=baby-products&ie=UTF8&qid=1527010057&sr=1-2&refinements=p_89%3AMii.*

(Continued)

Primary Examiner — George D. Kirschbaum
Assistant Examiner — Kendra Leslie Hamilton
 (74) *Attorney, Agent, or Firm* — Weiss & Moy, P.C.;
 Jeffrey D. Moy

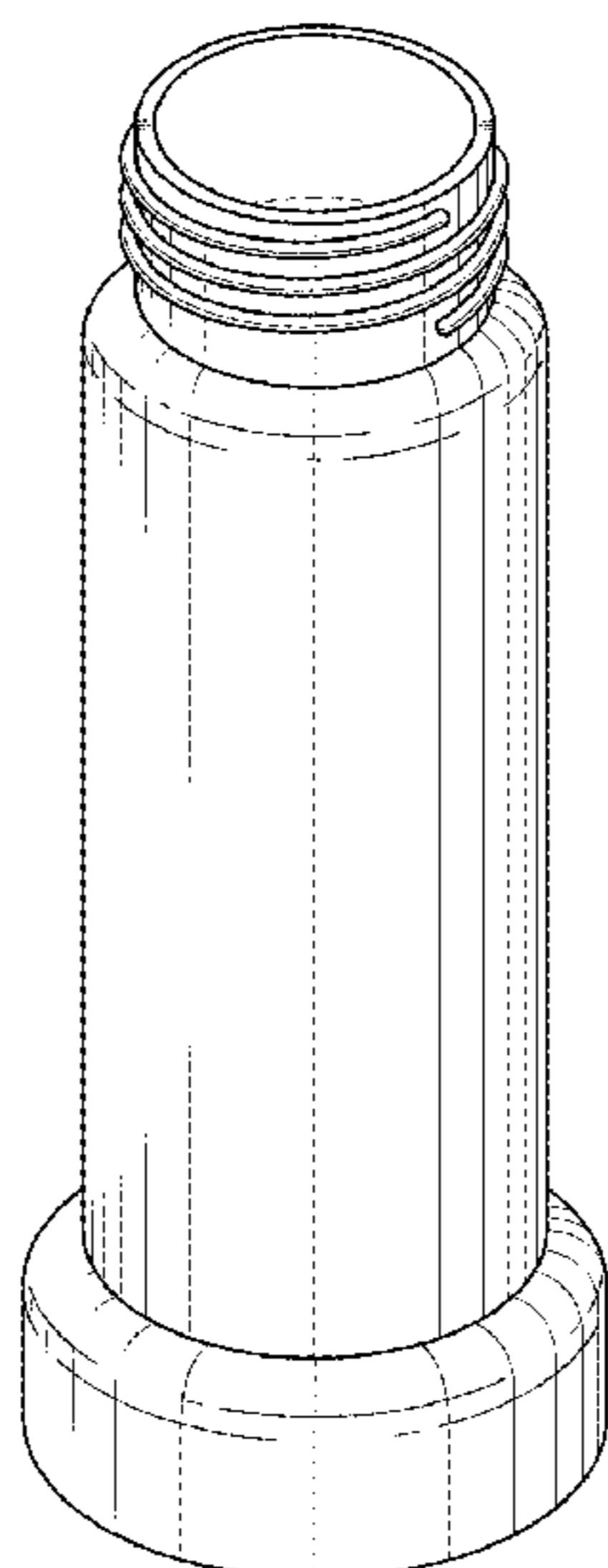
(57) **CLAIM**

The baby bottle, as shown and described.

DESCRIPTION

FIG. 1 is a top front perspective view of a baby bottle, showing my new design in condition for use;
 FIG. 2 is a top front perspective view of the baby bottle of FIG. 1, shown in an alternate configuration for clarity of disclosure;
 FIG. 3 is a front elevation view thereof;
 FIG. 4 is a top plan view thereof;
 FIG. 5 is a bottom plan view thereof;
 FIG. 6 is a right elevation view thereof;
 FIG. 7 is a left elevation view thereof; and,
 FIG. 8 is a rear elevation view thereof.
 The broken lines in the drawings depict portions of the baby bottle that form no part of the claimed design.

1 Claim, 3 Drawing Sheets



(56)

References Cited

OTHER PUBLICATIONS

“New Generation Baby Bottle by Mace Corporation”. Found online Mar. 2, 2018 at macebaby.blogspot.com. Page dated Nov. 17, 2016. Retrieved from <http://macebaby.blogspot.com/2016/11/new-generation-baby-bottle-by-mace.html>.*

* cited by examiner

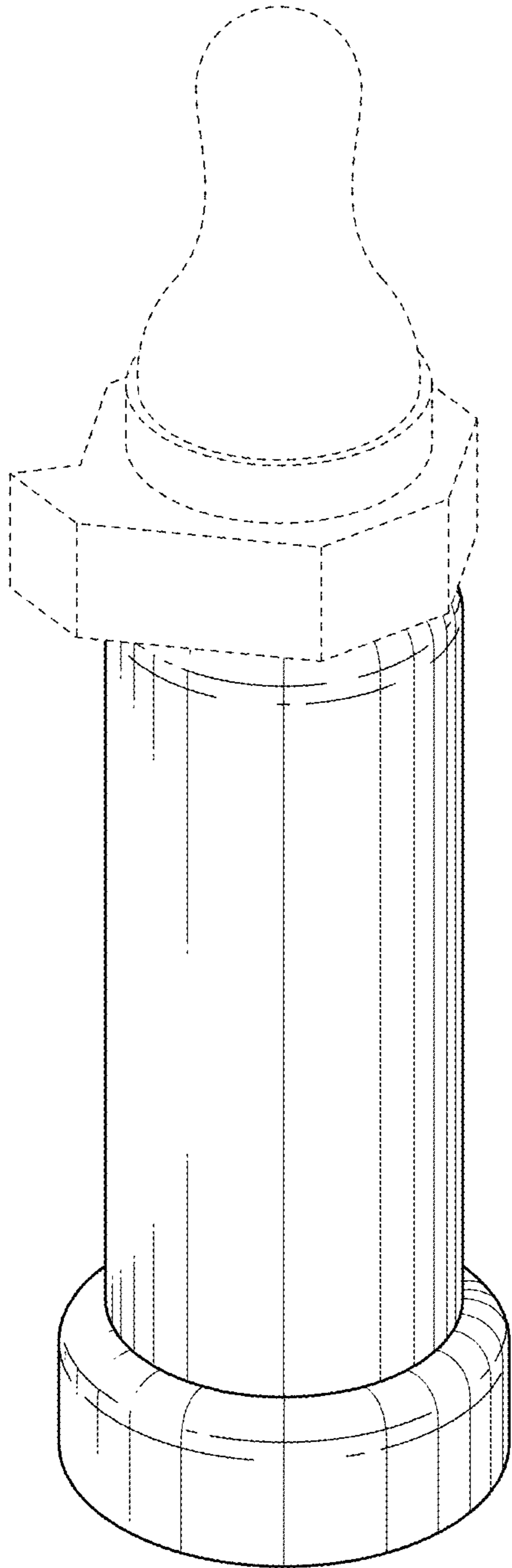


FIG. 1

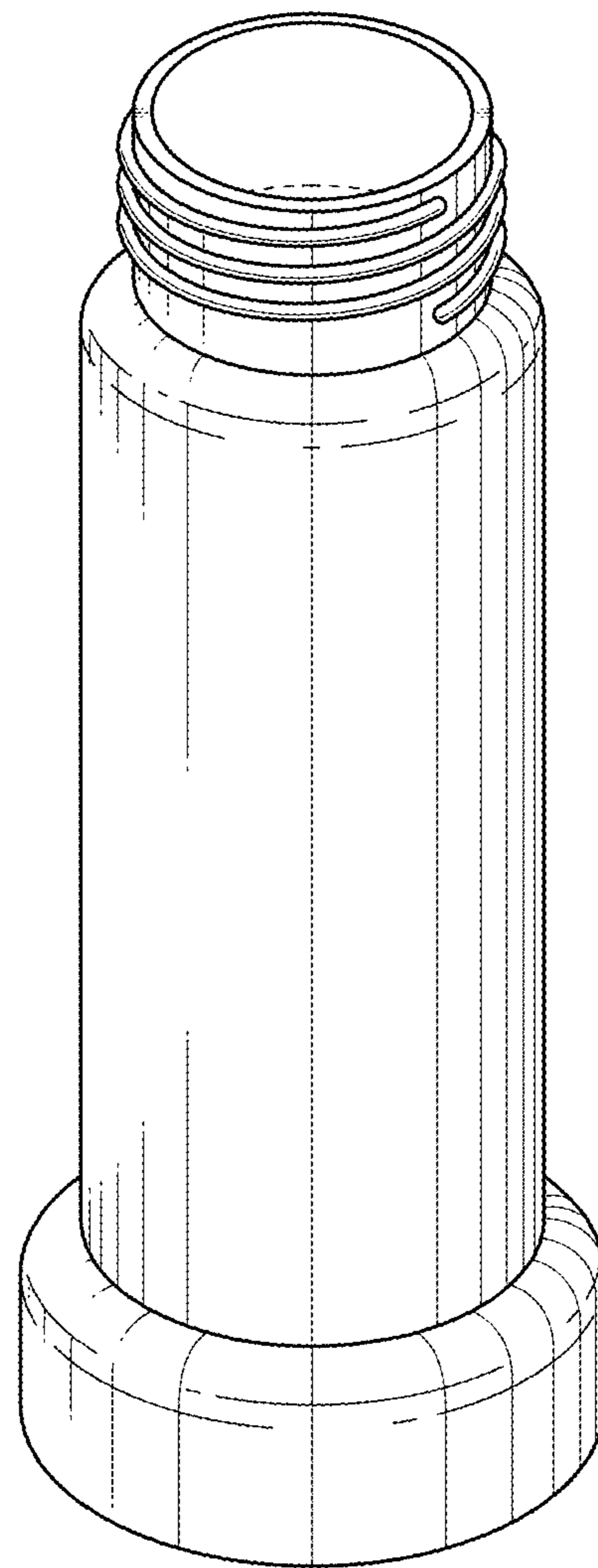


FIG. 2

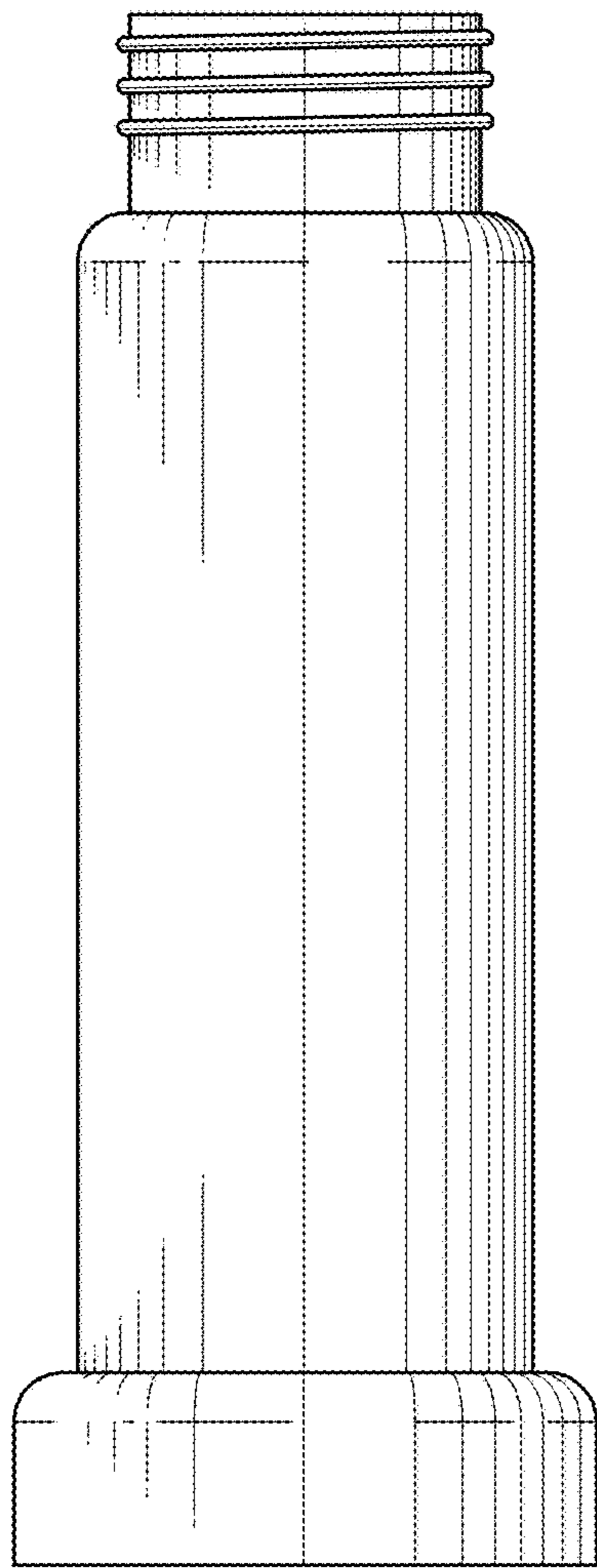


FIG. 3

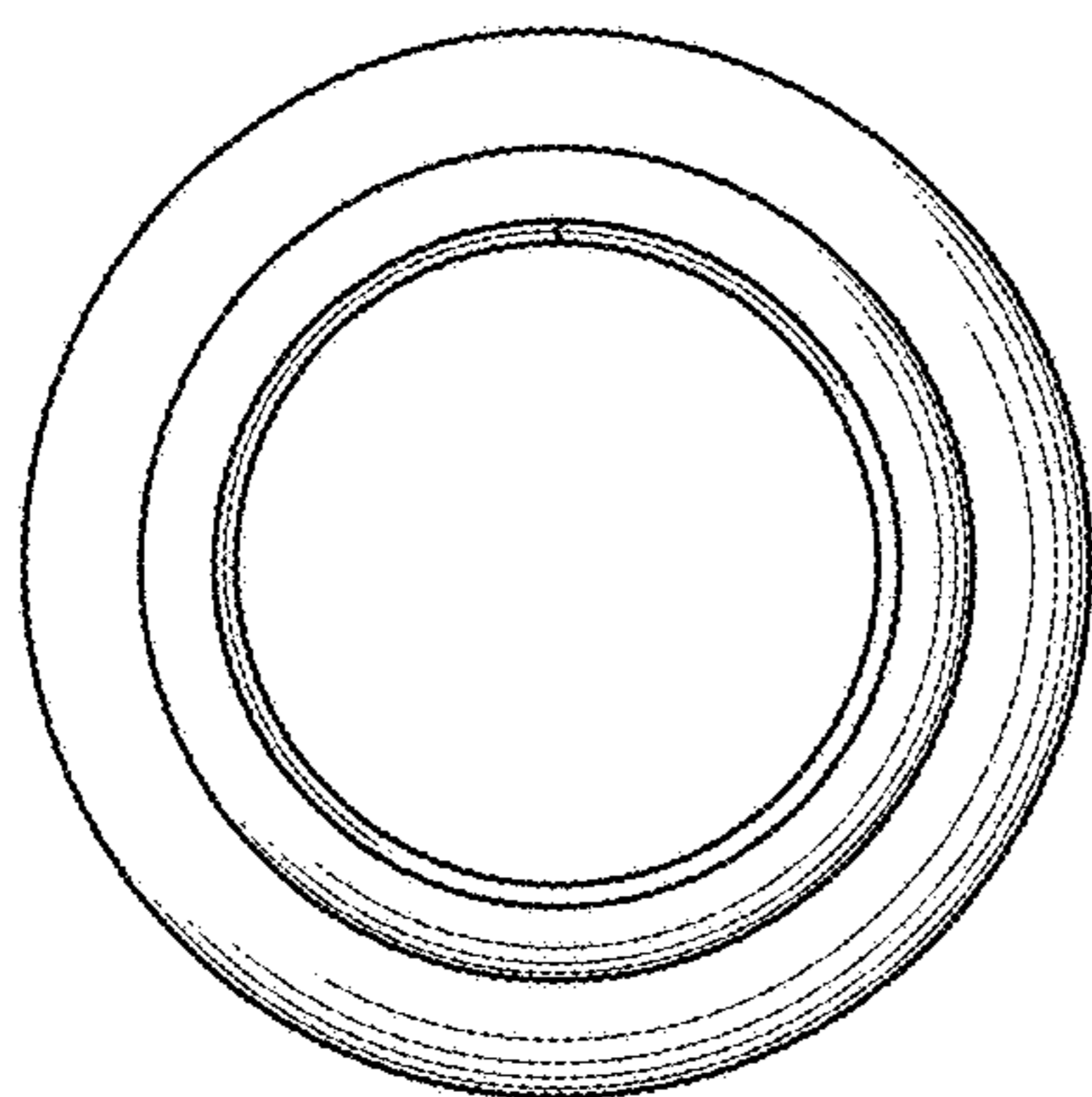


FIG. 4

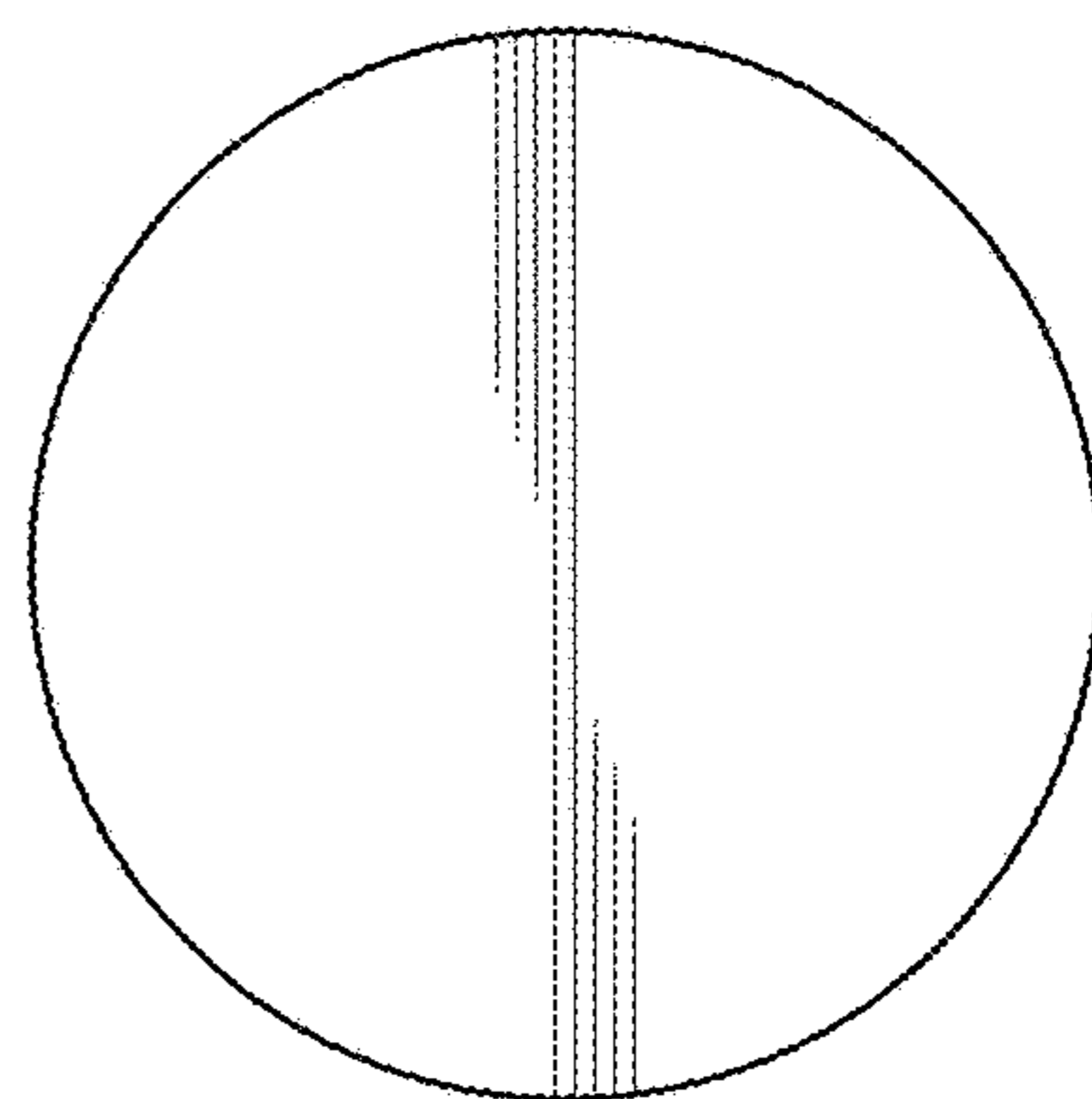


FIG. 5

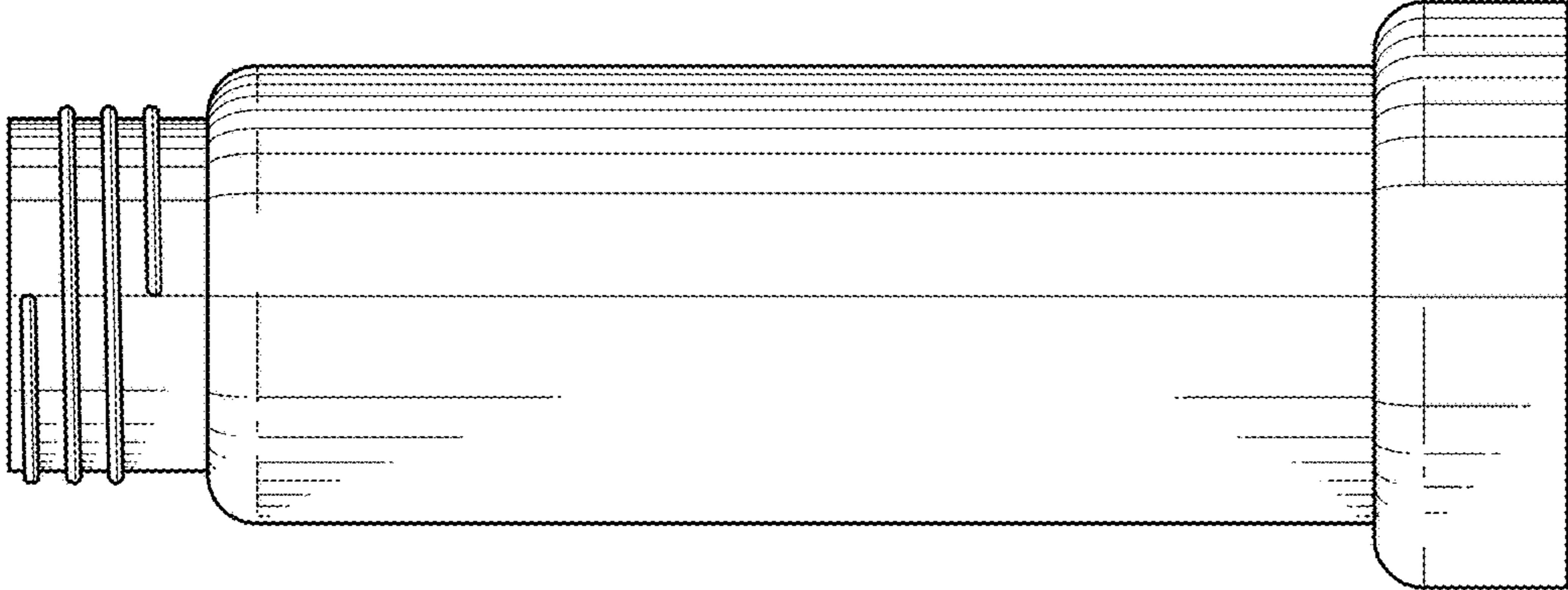


FIG. 6

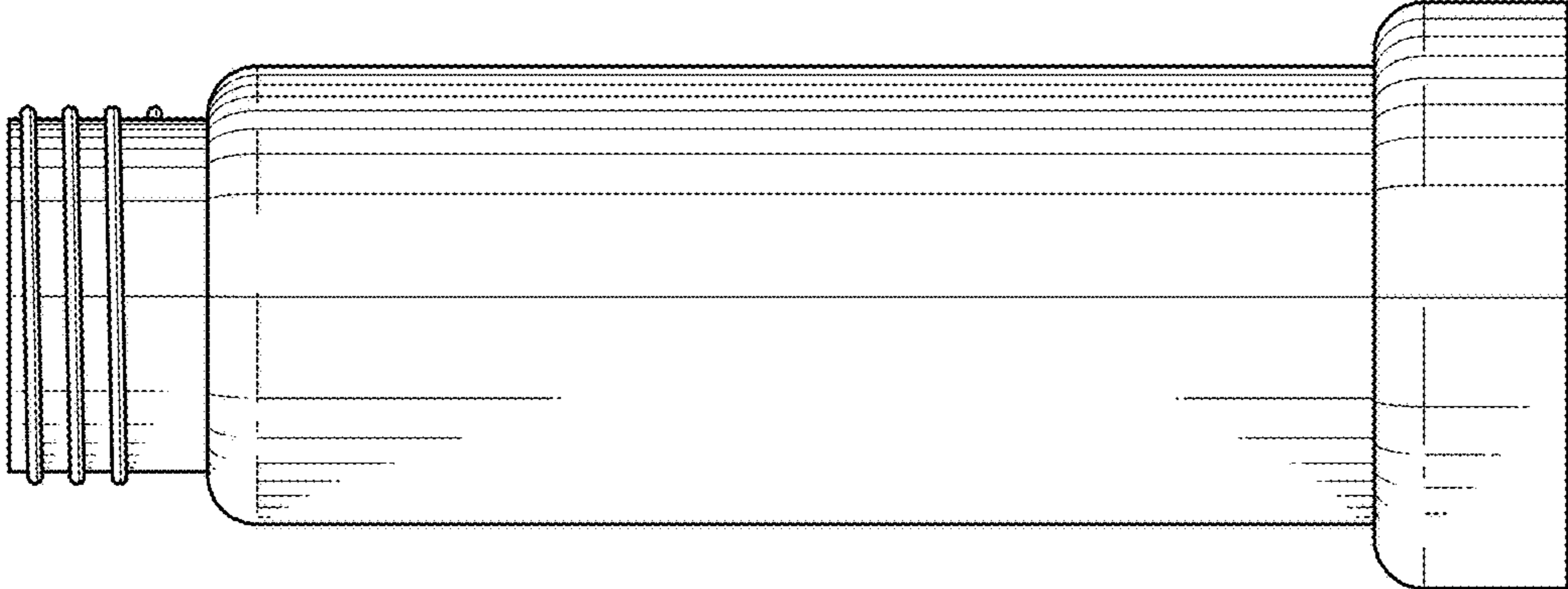


FIG. 7

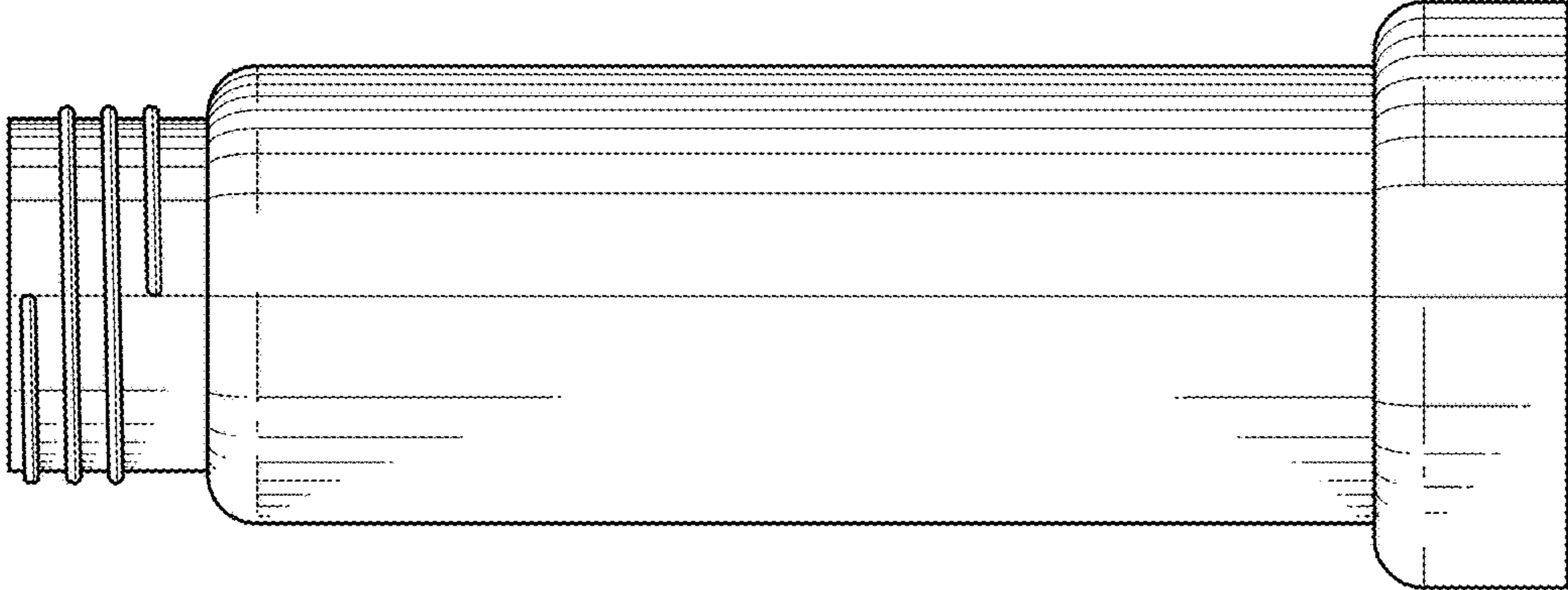


FIG. 8