



US00D822838S

(12) **United States Design Patent** (10) **Patent No.:** **US D822,838 S**  
**Zuckerman-Stark et al.** (45) **Date of Patent:** **\*\* Jul. 10, 2018**

(54) **ELECTRODE ARRAY**

(56) **References Cited**

(71) Applicant: **Medasense Biometrics Ltd.**, Ramat Gan (IL)

(72) Inventors: **Galit Zuckerman-Stark**, Tel Aviv (IL); **Adi Costa**, Kfar Saba (IL); **Shimon Hayun**, Rosh Haayin (IL); **Refael Gil Koby**, Kochav Yair (IL); **Naum Muchnik**, Yokneam-Ilit (IL); **Avi Kayton**, Tel Aviv (IL)

(73) Assignee: **MEDASENSE BIOMETRICS LTD.**, Ramat Gan (IL)

U.S. PATENT DOCUMENTS

5,152,293 A	10/1992	Vonesh et al.	
5,895,871 A	4/1999	Patton et al.	
5,997,817 A *	12/1999	Crismore .....	C12Q 1/001 204/403.1
D472,644 S *	4/2003	Dawson .....	D24/216
D494,273 S *	8/2004	Haugland .....	D10/85
D594,127 S *	6/2009	Causevic .....	D24/187
D618,802 S *	6/2010	Brady .....	D24/167
D644,329 S *	8/2011	North .....	D24/187
D698,442 S *	1/2014	Steward, Jr. ....	D24/161
D710,005 S *	7/2014	Kawamura .....	D24/130
D716,677 S *	11/2014	Messier .....	D10/70
D768,300 S *	10/2016	Felix .....	D14/344
D787,686 S *	5/2017	Jeffery .....	D24/187
D790,069 S *	6/2017	Wong .....	D24/187

(Continued)

*Primary Examiner* — Anhdao Doan

*Assistant Examiner* — Mary Malley

(74) *Attorney, Agent, or Firm* — Roy Gross; The Roy Gross Law Firm, L

(\*\*) Term: **15 Years**

(21) Appl. No.: **29/581,729**

(22) Filed: **Oct. 21, 2016**

(30) **Foreign Application Priority Data**

Sep. 29, 2016 (IL) ..... 59352

(51) **LOC (11) Cl.** ..... **24-01**

(52) **U.S. Cl.**  
USPC ..... **D24/187**

(58) **Field of Classification Search**  
 USPC ..... D24/165–168, 186, 187, 107, 200, 189;  
 D10/70, 75, 97, 98; 600/301, 372,  
 600/382–384, 386, 390, 393, 483,  
 600/500–503, 508, 509, 513; 607/129,  
 607/152

CPC ..... A61N 1/04; A61N 1/0404; A61N 1/0476;  
 A61N 1/048; A61N 1/0484; A61N  
 1/0488; A61N 1/0492; A61N 1/0456;  
 A61N 1/36014; A61N 1/22; A61N  
 1/0536; A61B 5/6803; A61B 5/681; A61B  
 5/6824; A61B 5/6825; A61B 5/024; A61B  
 5/02405; A61B 5/02438

See application file for complete search history.

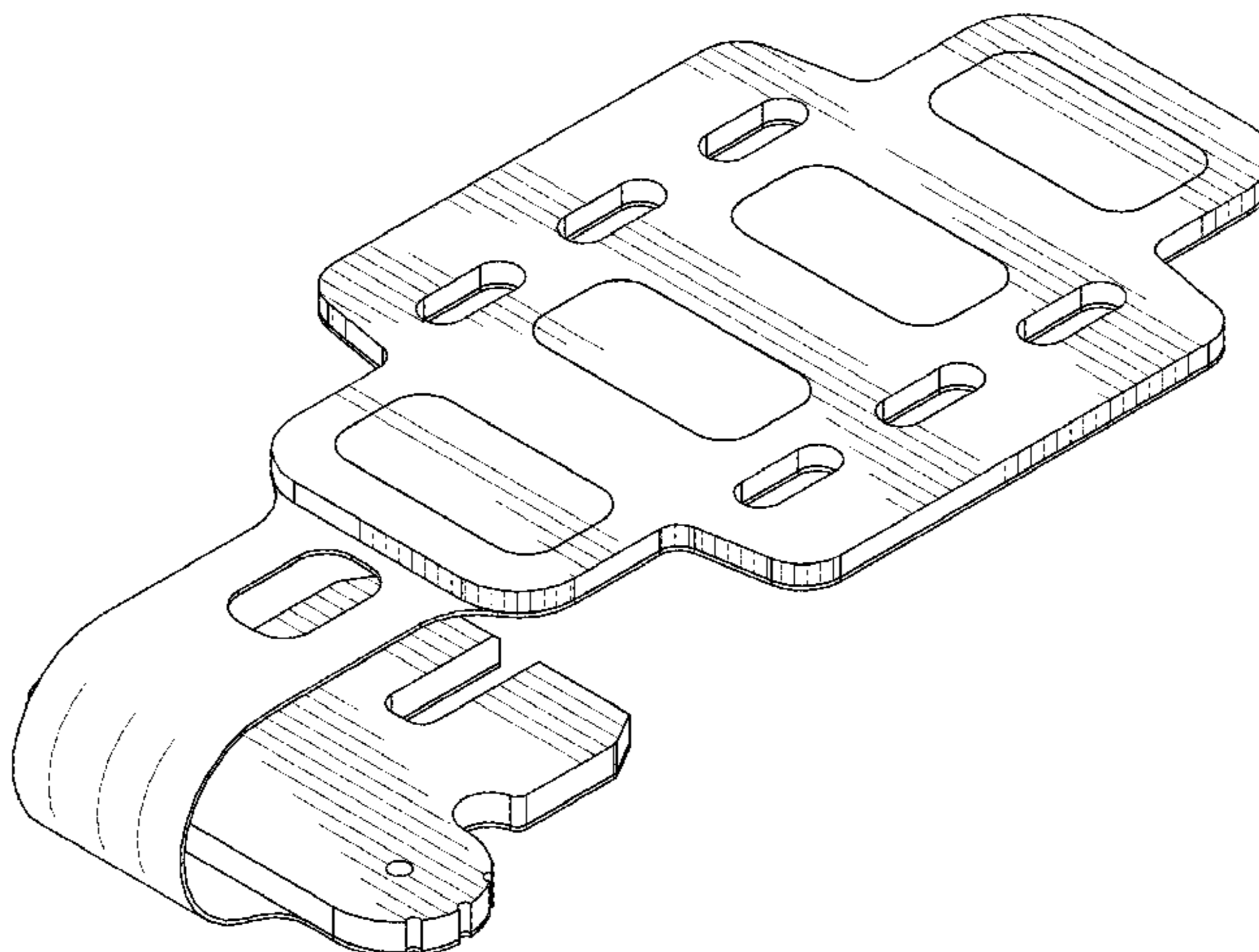
(57) **CLAIM**

The ornamental design for an electrode array, as shown and described.

**DESCRIPTION**

FIG. 1 is a top perspective view of an electrode array in accordance with the new design;  
 FIG. 2 is a bottom perspective view of the electrode array;  
 FIG. 3 is a back view of the electrode array;  
 FIG. 4 is a right side view of the electrode array;  
 FIG. 5 is a front view of the electrode array;  
 FIG. 6 is a left side view of the electrode array;  
 FIG. 7 is a top view of the electrode array; and,  
 FIG. 8 is a bottom view of the electrode array.

**1 Claim, 8 Drawing Sheets**



(56)

**References Cited**

U.S. PATENT DOCUMENTS

D796,681 S \* 9/2017 Seval ..... D24/184  
D797,728 S \* 9/2017 Sandock ..... D14/344

\* cited by examiner

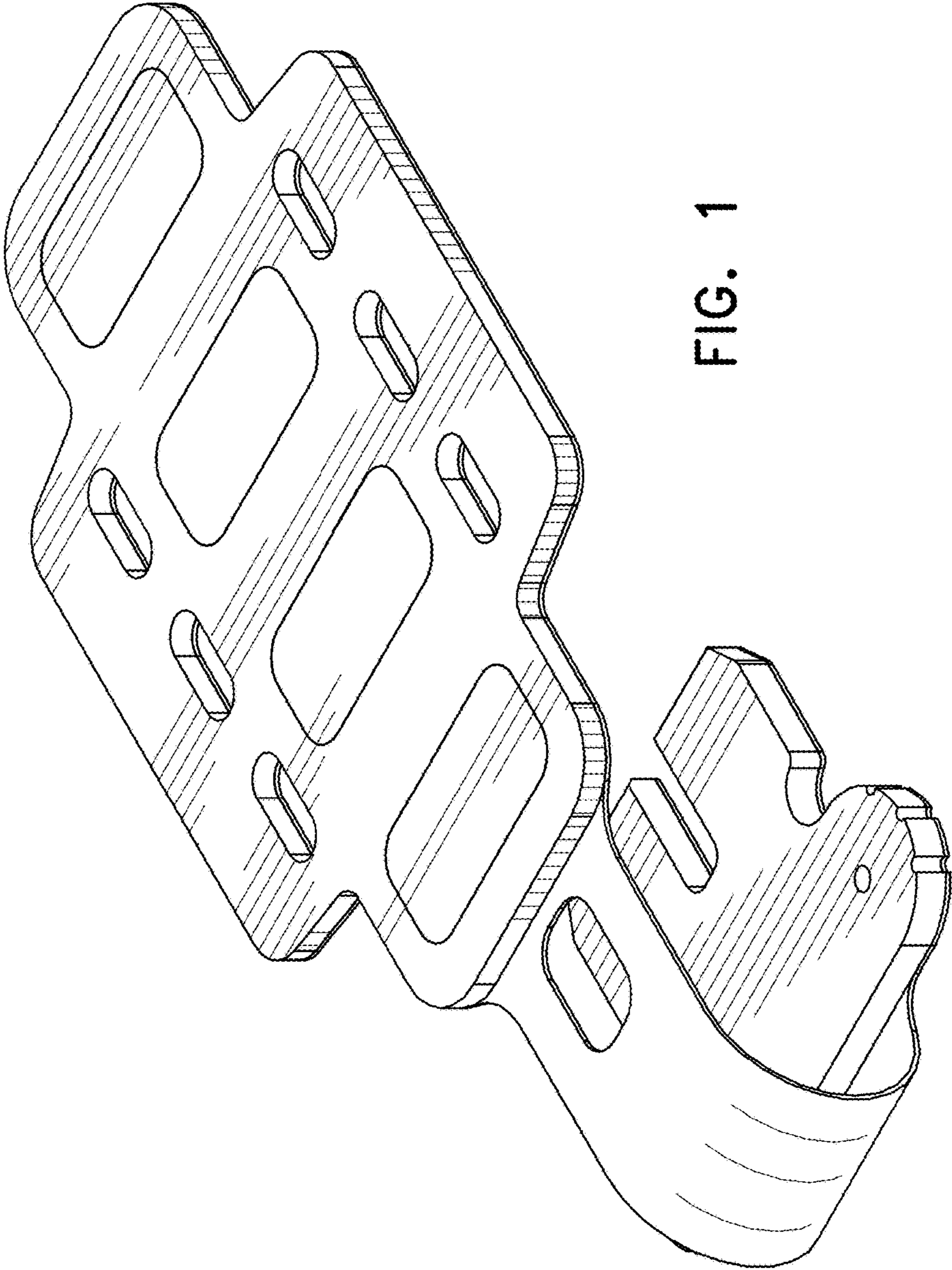


FIG. 1

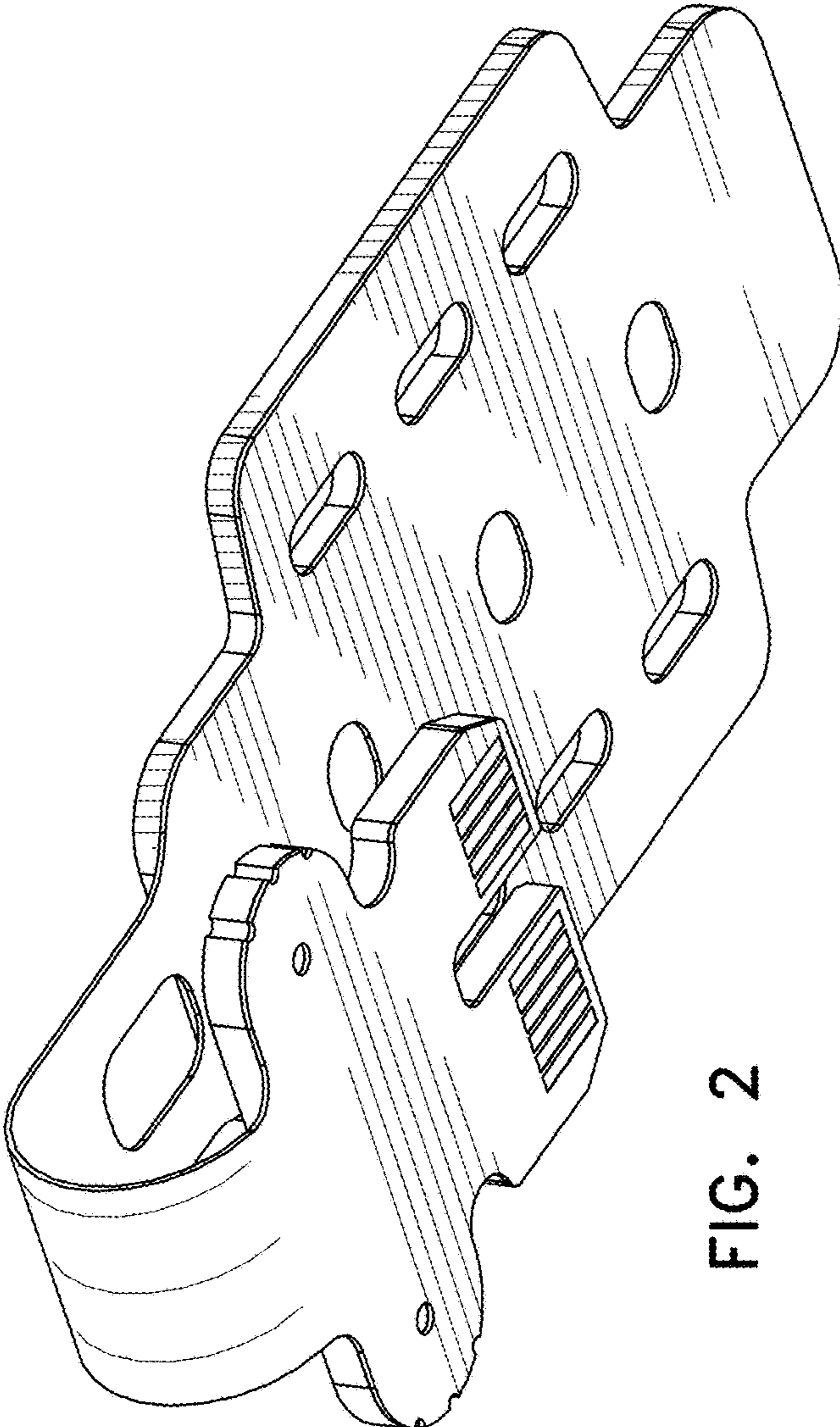


FIG. 2

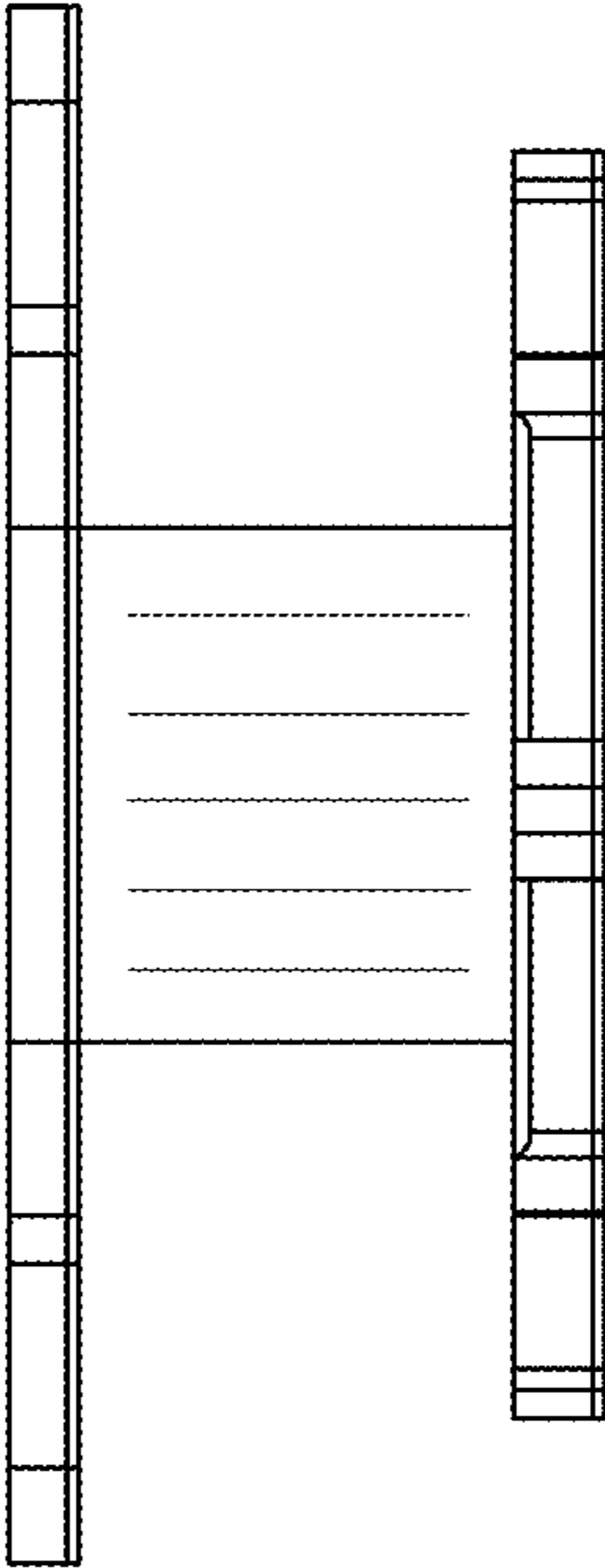


FIG. 3

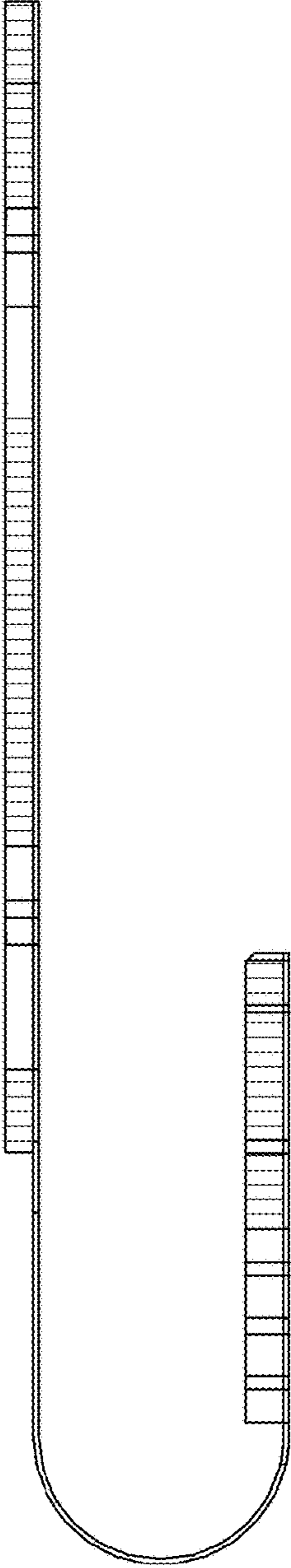


FIG. 4

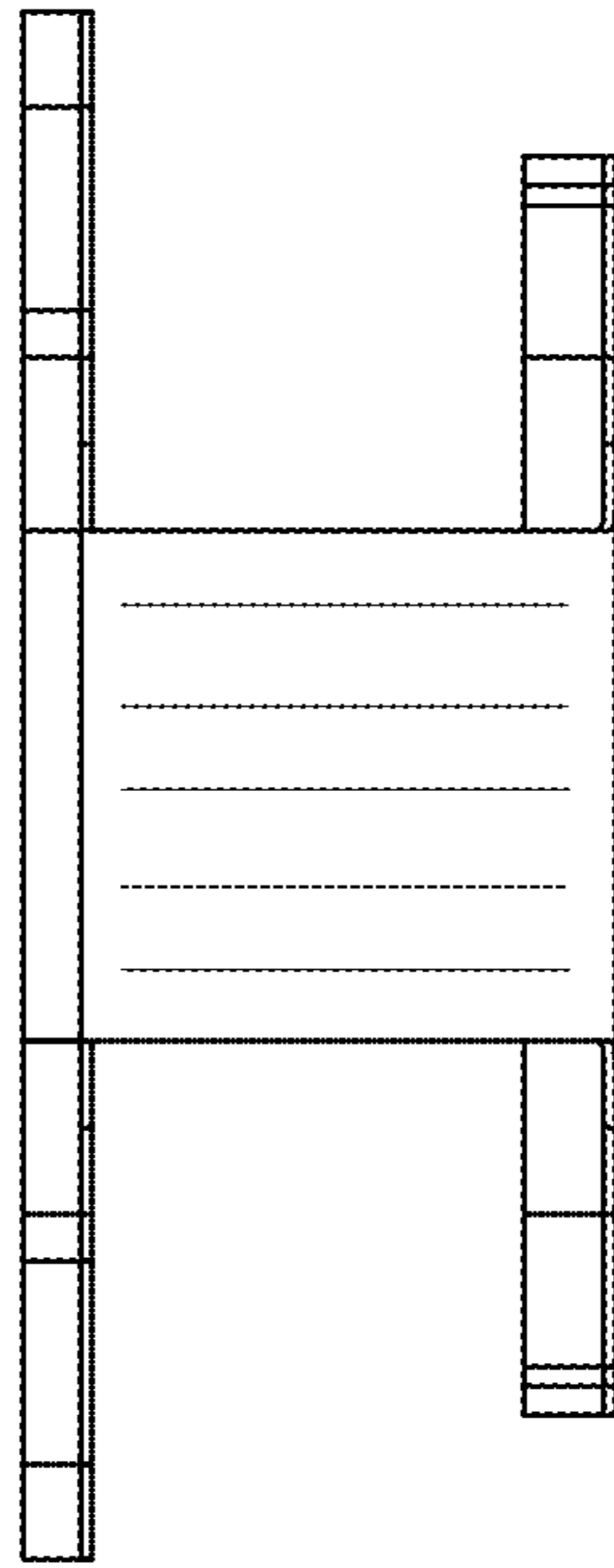


FIG. 5

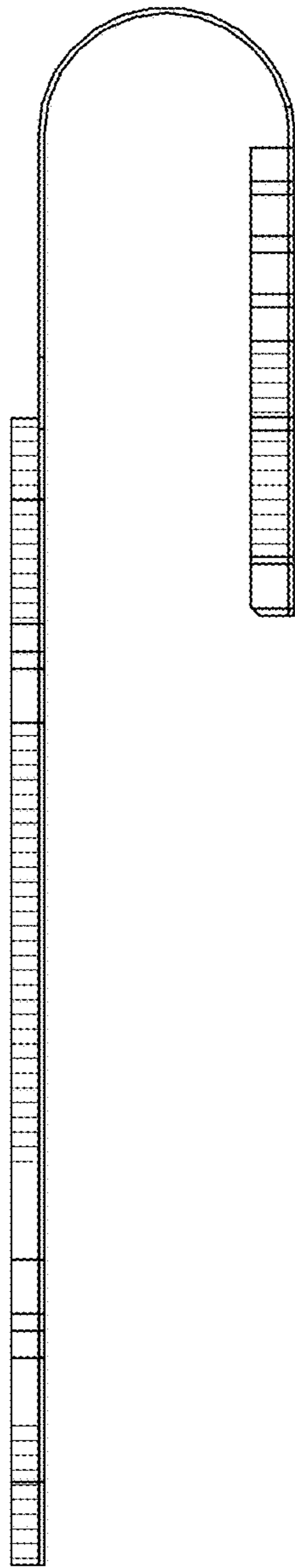


FIG. 6



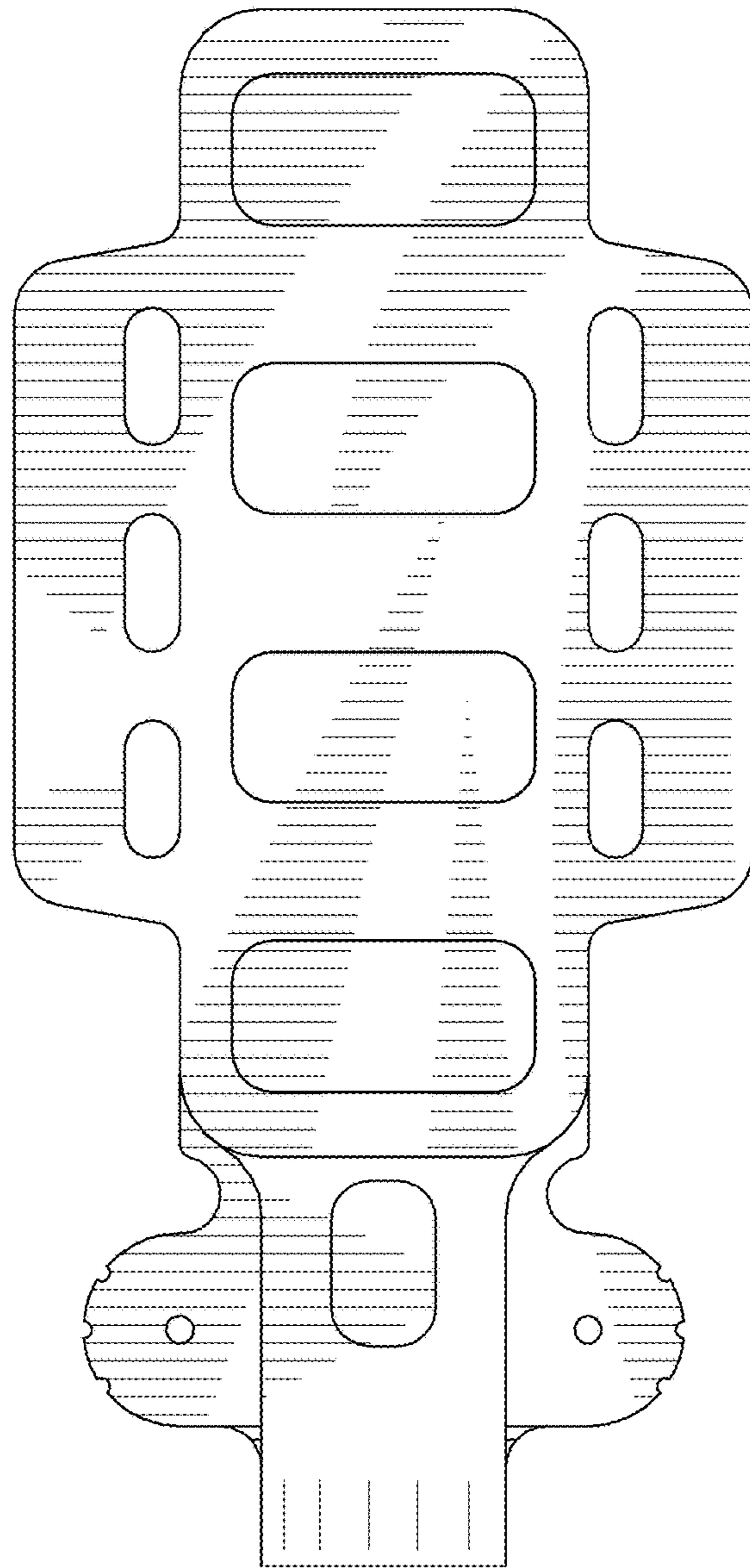


FIG. 7

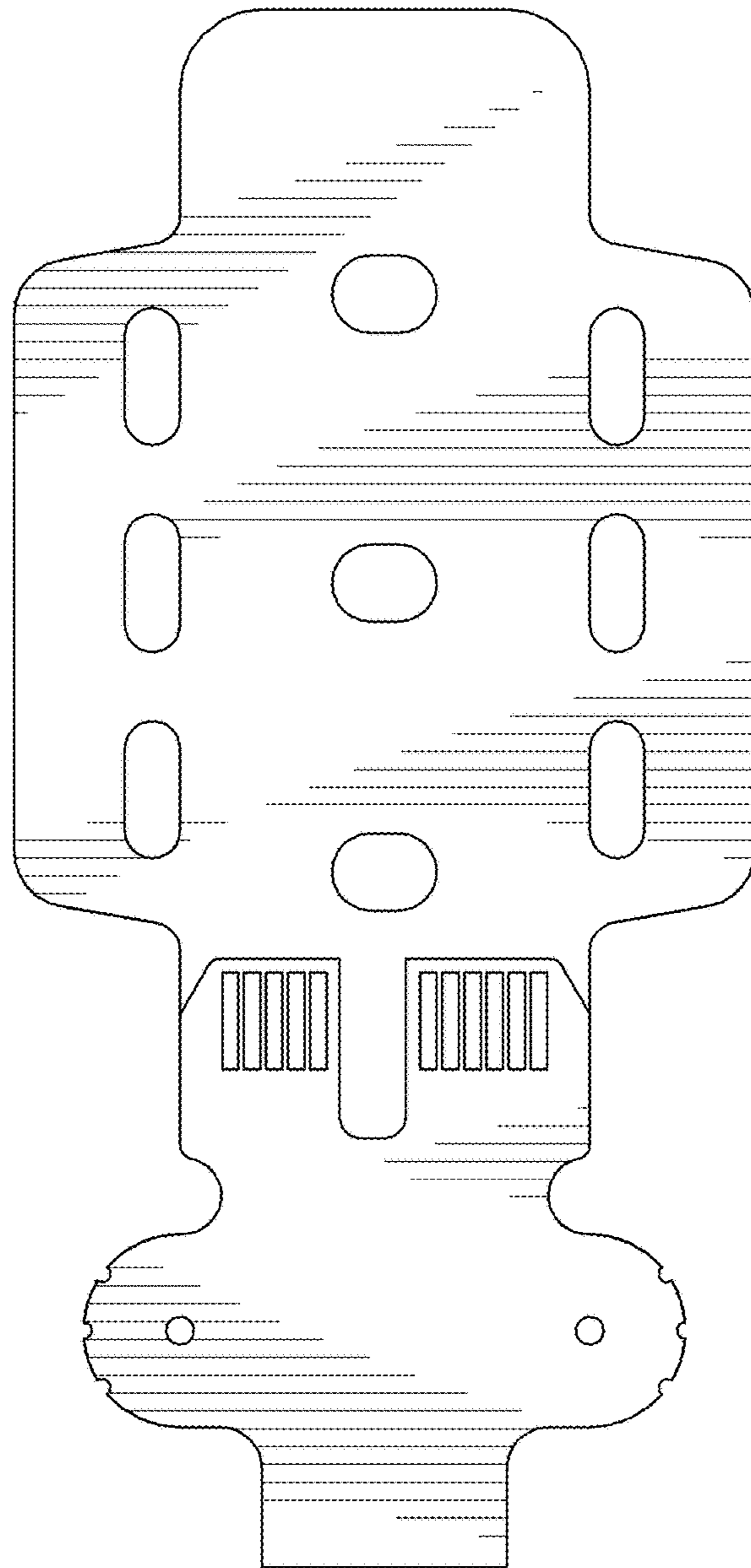


FIG. 8