



US00D822837S

(12) **United States Design Patent** (10) **Patent No.:** **US D822,837 S**
Naka et al. (45) **Date of Patent:** **** Jul. 10, 2018**

(54) **ULTRASONIC PROBE**

D703,332 S * 4/2014 Saeki D24/187
9,072,487 B2 * 7/2015 Hebrard G01S 7/52079
D745,972 S * 12/2015 Kitayama D24/187

(71) Applicant: **NIHON DEMPA KOGYO CO., LTD.**,
Tokyo (JP)

(Continued)

(72) Inventors: **Yoji Naka**, Saitama (JP); **Kazuhiko Komiyama**, Saitama (JP); **Isao Saeki**, Saitama (JP)

FOREIGN PATENT DOCUMENTS

CN 304033542 * 2/2017
JP D1299883 5/2007

(Continued)

(73) Assignee: **NIHON DEMPA KOGYO CO., LTD.**,
Tokyo (JP)

OTHER PUBLICATIONS

(**) Term: **15 Years**

“Launched the top-end model of the self-produced general-purpose ultrasound diagnostic equipment,” GE Healthcare Japan, available at: http://www3.gehealthcare.co.jp/ja-jp/news_and_initiatives/2013/press11, Mar. 29, 2013, with English translation thereof, pp. 1-8.

(21) Appl. No.: **29/581,405**

(22) Filed: **Oct. 19, 2016**

(30) **Foreign Application Priority Data**

Primary Examiner — Anhdao Doan

Assistant Examiner — Mary Malley

(74) *Attorney, Agent, or Firm* — JCIPRNET

Apr. 19, 2016 (JP) 2016-008565

(51) **LOC (11) Cl.** **24-01**

(52) **U.S. Cl.**
USPC **D24/187**

(57) **CLAIM**

The ornamental design for an ultrasonic probe, as shown and described.

(58) **Field of Classification Search**
USPC D24/133, 137, 138, 141, 158, 160, 164,
D24/165, 167, 170, 186–187; D10/57,
D10/60, 78, 80; 600/407, 439, 446, 459,
600/461; 378/98.7, 98.8, 189
CPC A61B 8/445; A61B 8/4455; A61B 8/4461;
A61B 5/0095; A61B 8/4483; A61B 8/46
See application file for complete search history.

DESCRIPTION

FIG. 1 is a front view of an ultrasonic probe showing our new design, the rear view being a mirror image; FIG. 2 is a right side view thereof, the left side view being a mirror image; FIG. 3 is an enlarged top view thereof; FIG. 4 is an enlarged bottom view thereof; and, FIG. 5 is a perspective view thereof with the cable portion connected.

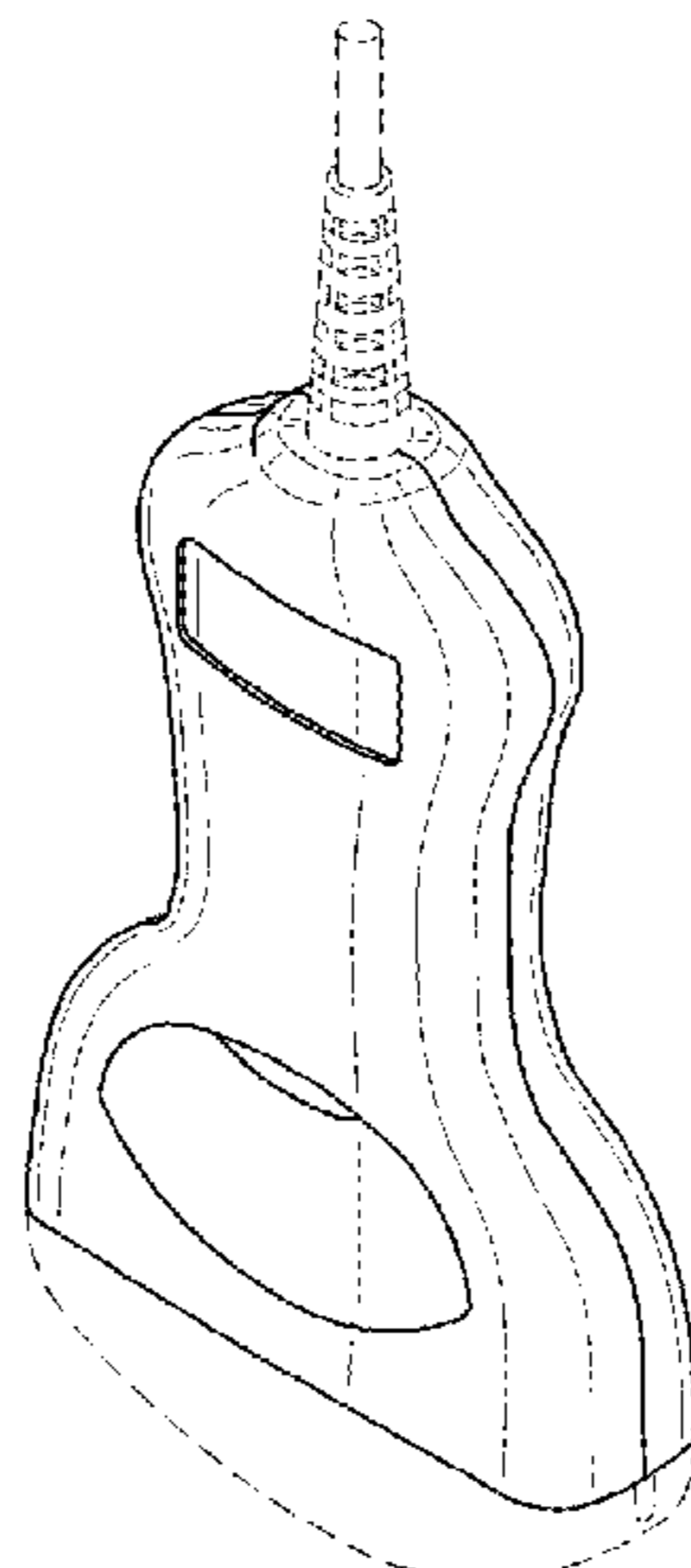
The broken lines showing the nose of an ultrasonic probe represent portions of the ultrasonic probe that form no part of the claimed design. The broken lines showing the cable represent environment structure that form no part of the claimed design.

(56) **References Cited**

U.S. PATENT DOCUMENTS

D389,918 S * 1/1998 Ninomiya D24/186
D555,252 S * 11/2007 Kitayama D24/186
D681,820 S * 5/2013 Shinohara D24/186
D681,821 S * 5/2013 Shinohara D24/186
D681,823 S * 5/2013 Shinohara D24/186
D681,826 S * 5/2013 Shinohara D24/186
D703,330 S 4/2014 Saeki

1 Claim, 3 Drawing Sheets



(56)

References Cited

U.S. PATENT DOCUMENTS

D749,224 S * 2/2016 Iritani D24/187
2016/0213350 A1* 7/2016 Lee A61B 8/429

FOREIGN PATENT DOCUMENTS

JP D1457814 12/2012
JP D1488265 1/2014
KR 3006790950000 2/2013

* cited by examiner

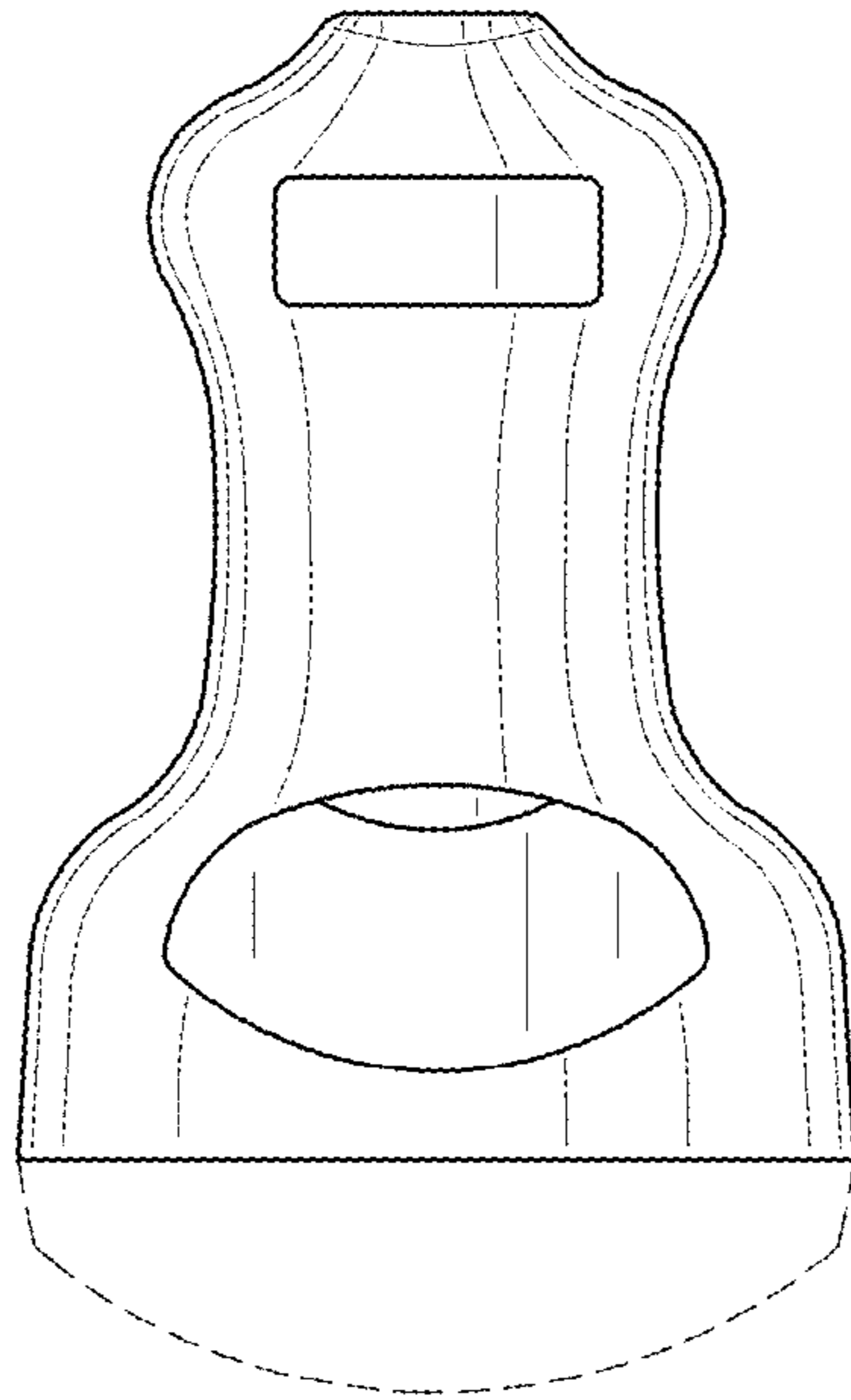


FIG. 1

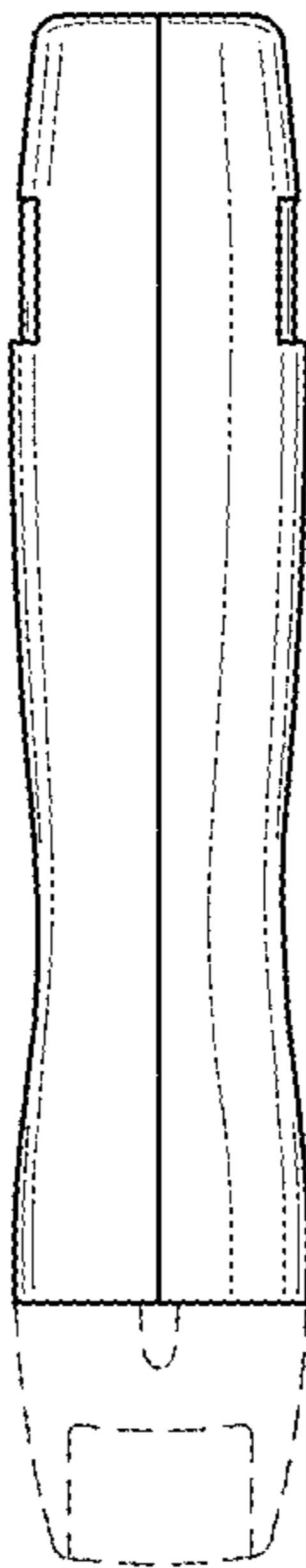


FIG. 2

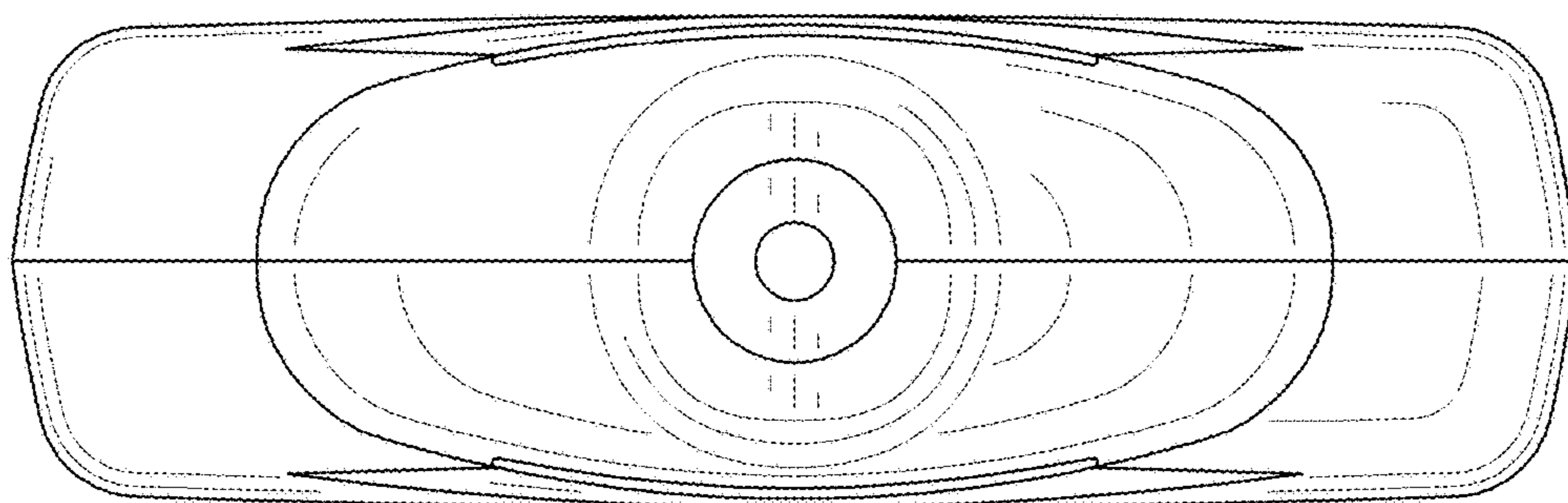


FIG. 3

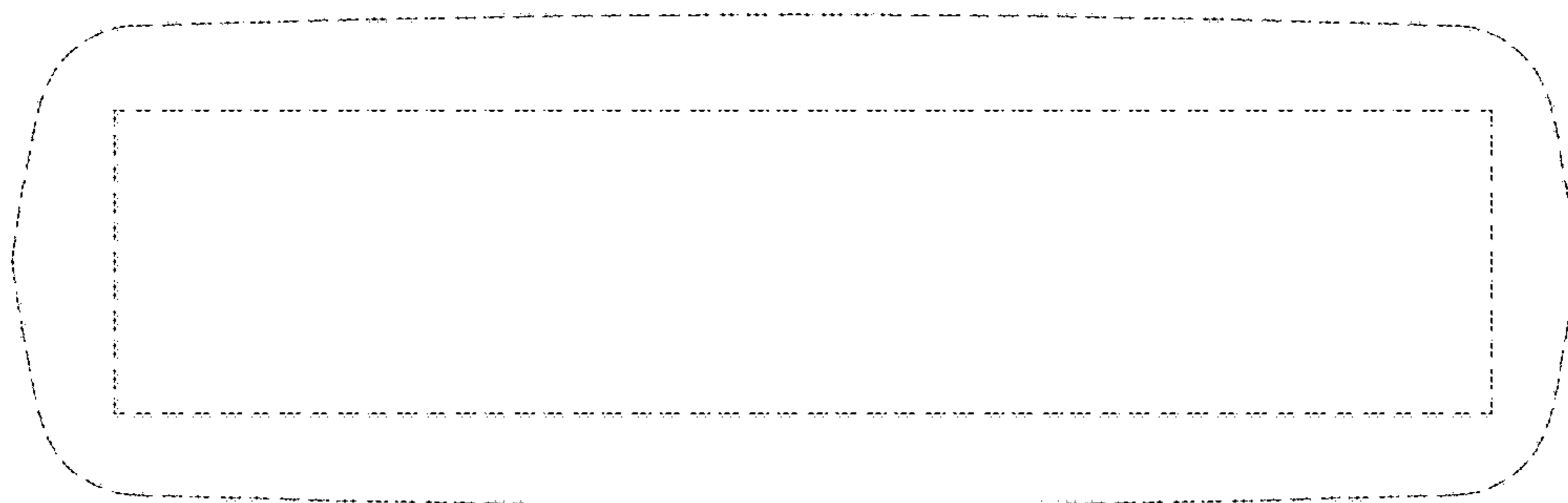


FIG. 4

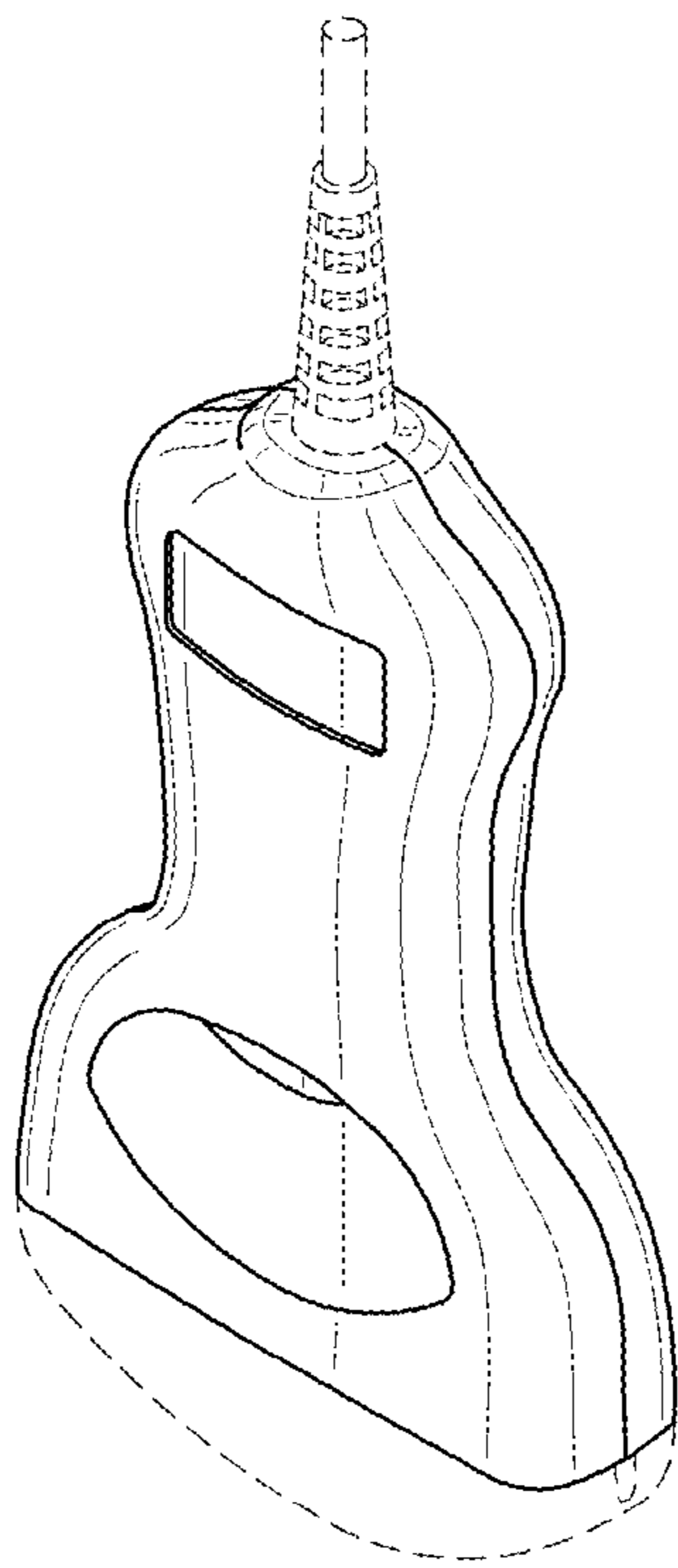


FIG. 5