



US00D822836S

(12) **United States Design Patent**  
**Wu**

(10) **Patent No.:** **US D822,836 S**  
(45) **Date of Patent:** **\*\* Jul. 10, 2018**

(54) **WEARABLE SMART BAND**

(71) Applicant: **Dajun Wu**, Hunan (CN)

(72) Inventor: **Dajun Wu**, Hunan (CN)

(73) Assignee: **Shenzhen Do Intelligent Technology Co., Ltd.**, Longhua New District Guangdong province, Shenzhen (CN)

(\*\*) Term: **15 Years**

(21) Appl. No.: **29/598,259**

(22) Filed: **Mar. 24, 2017**

(51) **LOC (11) Cl.** ..... **24-02**

(52) **U.S. Cl.**  
USPC ..... **D24/186**; D10/32; D10/38

(58) **Field of Classification Search**  
USPC ... D10/30-32, 38, 40, 41, 46, 70, 79, 106.5, D10/106.6, 106.92, 106.94, 114.6, 123, D10/125, 126, 128, 131; D11/1-4, 93, D11/94; D14/138, 144, 341, 344, 358, D14/485; D24/167, 169, 186, 187  
CPC ..... A63B 71/0686  
See application file for complete search history.

(56) **References Cited**

**U.S. PATENT DOCUMENTS**

- D734,329 S \* 7/2015 Lee ..... D14/344
- D757,721 S \* 5/2016 Dallmeyer ..... D14/344
- D792,888 S \* 7/2017 Herrmann ..... D14/480.3
- D800,109 S \* 10/2017 Rouillac ..... D14/344
- D800,596 S \* 10/2017 Ling ..... D11/5
- D802,453 S \* 11/2017 Page ..... D10/70
- D805,413 S \* 12/2017 Chen ..... D10/70

- D805,418 S \* 12/2017 Lowe ..... D11/3
- D806,589 S \* 1/2018 Le Bihan ..... D10/70
- D807,219 S \* 1/2018 Ling ..... D11/3

**OTHER PUBLICATIONS**

ID115 HR Plus Smart band, posted on aliexpress.com, earliest reviewed Sep. 17, 2017, no production date given, [online], [site visited Feb. 1, 2018], Available from Internet, URL: <https://www.aliexpress.com/item/Smart-Band/32823207029.html> (Year: 2017).\*

\* cited by examiner

*Primary Examiner* — Melanie H Tung  
*Assistant Examiner* — Fritzgerald L Butac

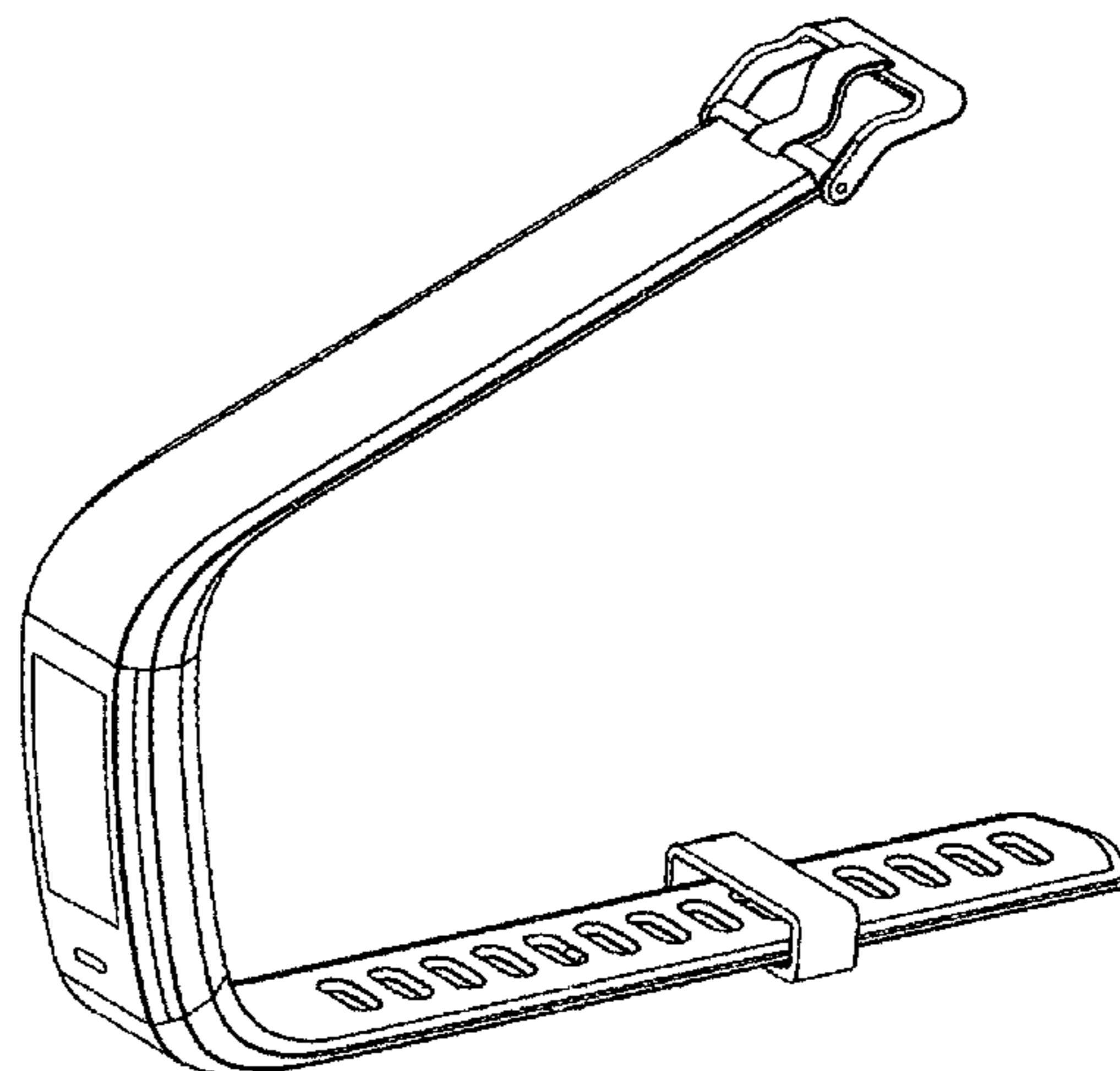
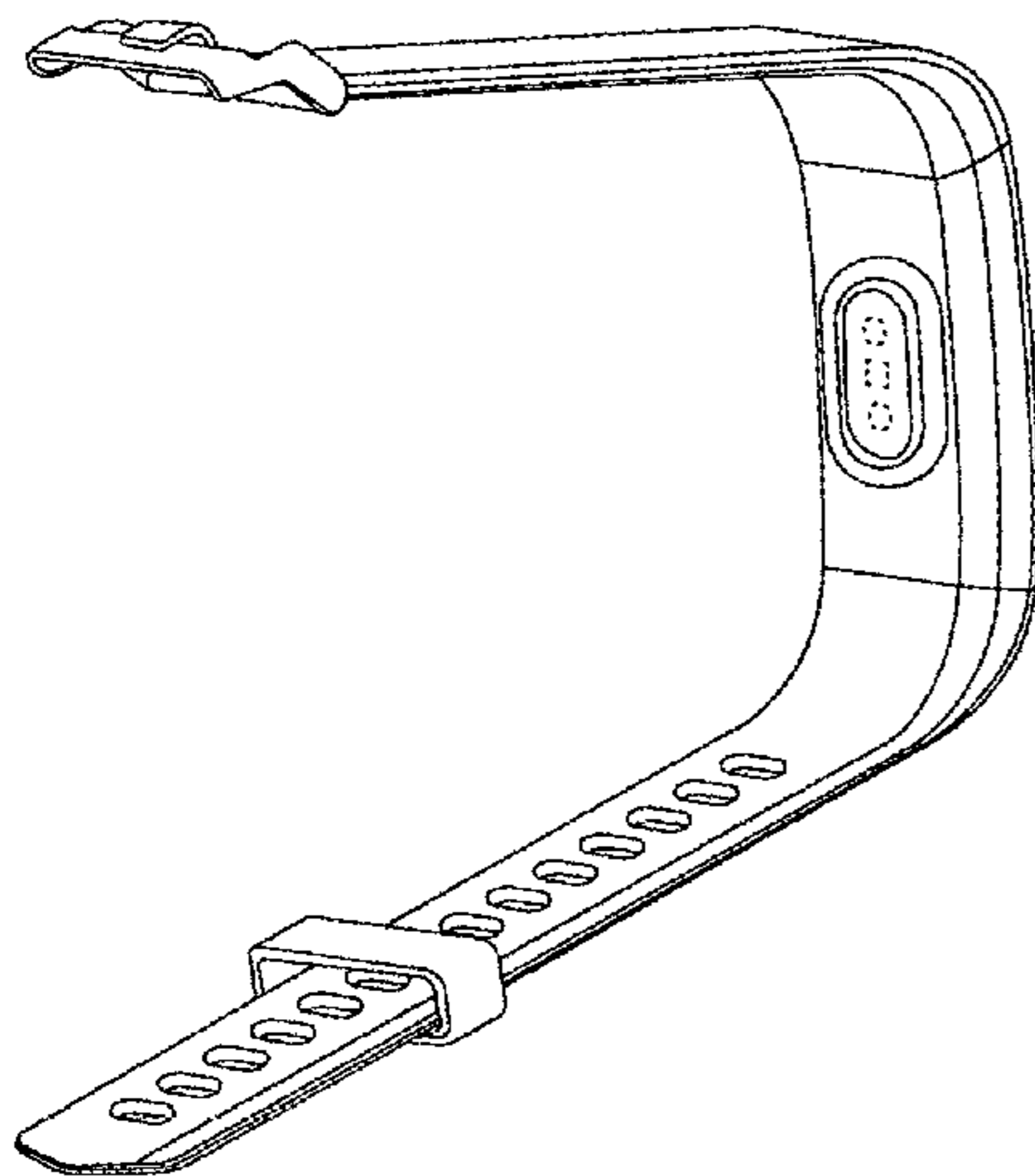
(57) **CLAIM**

I claim the ornamental design for a wearable smart band, as shown and described.

**DESCRIPTION**

FIG. 1 is a perspective view of a wearable smart band showing my new design;  
FIG. 2 is a front elevational view thereof;  
FIG. 3 is a rear elevational view thereof;  
FIG. 4 is a left side elevational view thereof;  
FIG. 5 is a right side elevational view thereof;  
FIG. 6 is a top plan view thereof; and  
FIG. 7 is a bottom plan view thereof; and,  
FIG. 8 is another perspective view of wearable smart band showing my new design.  
The broken lines shown in drawings are for the purpose of illustrating portions of the wearable smart band and form no part of the claimed design.

**1 Claim, 8 Drawing Sheets**



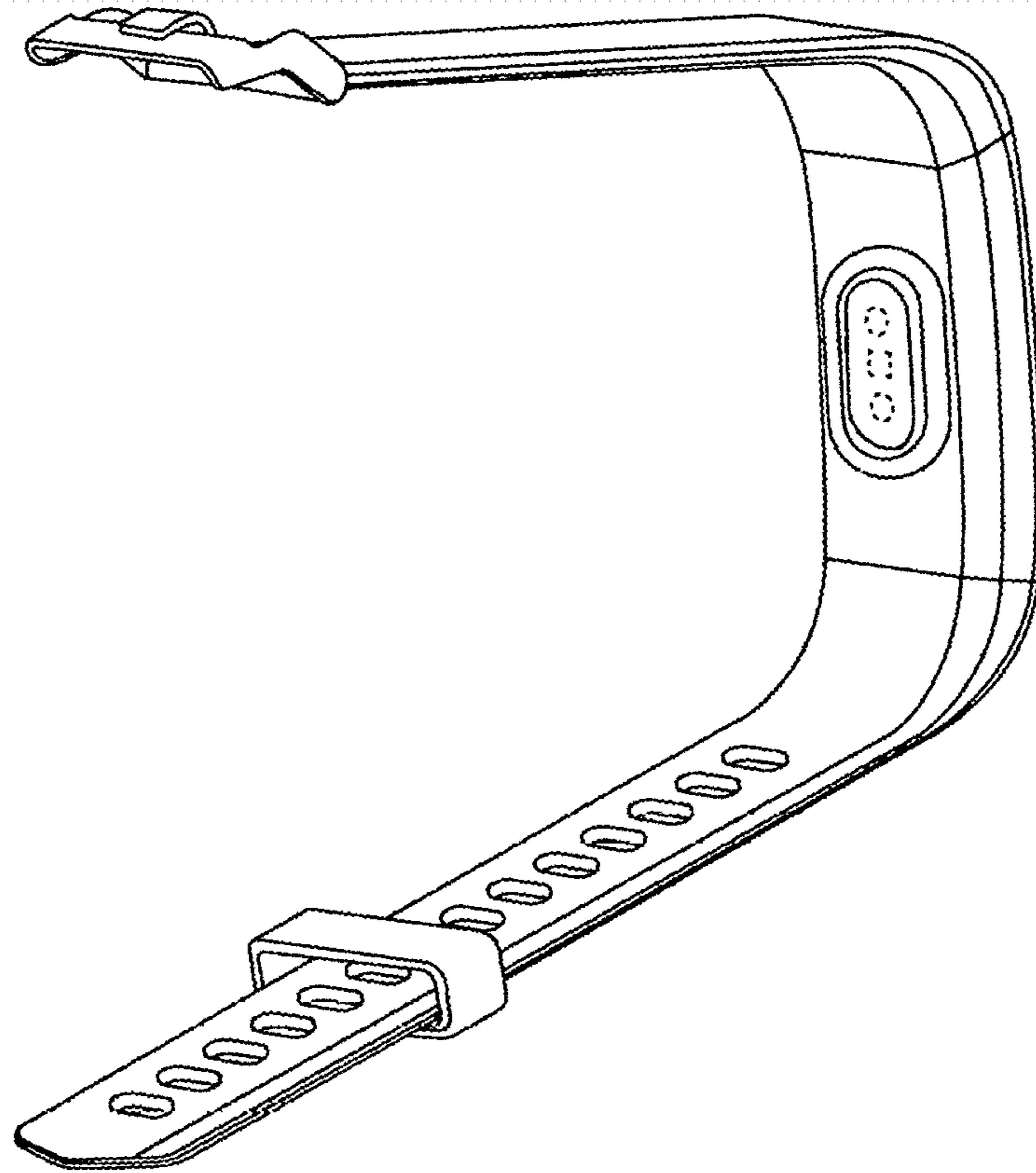


FIG.1

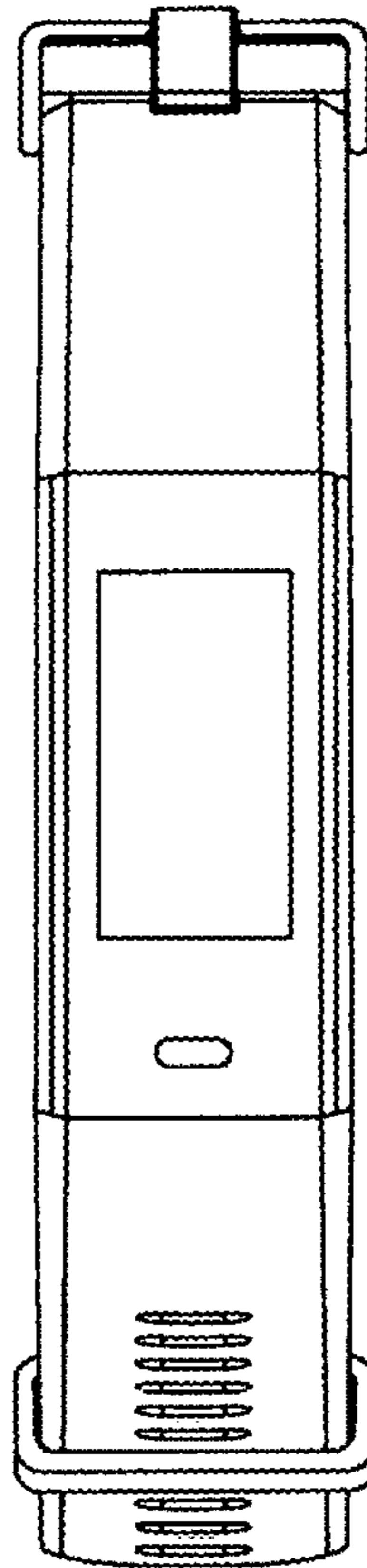


FIG.2

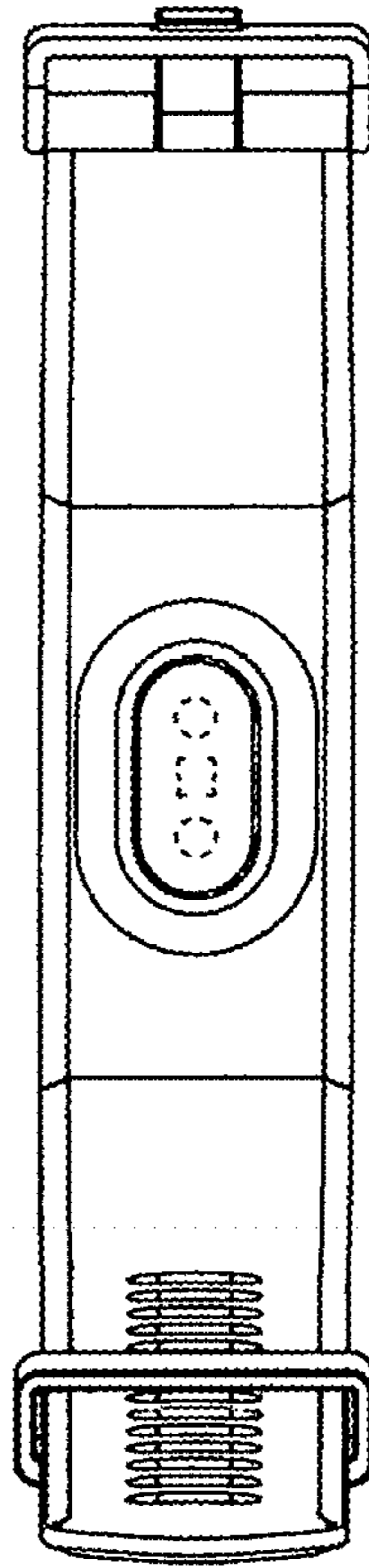


FIG.3

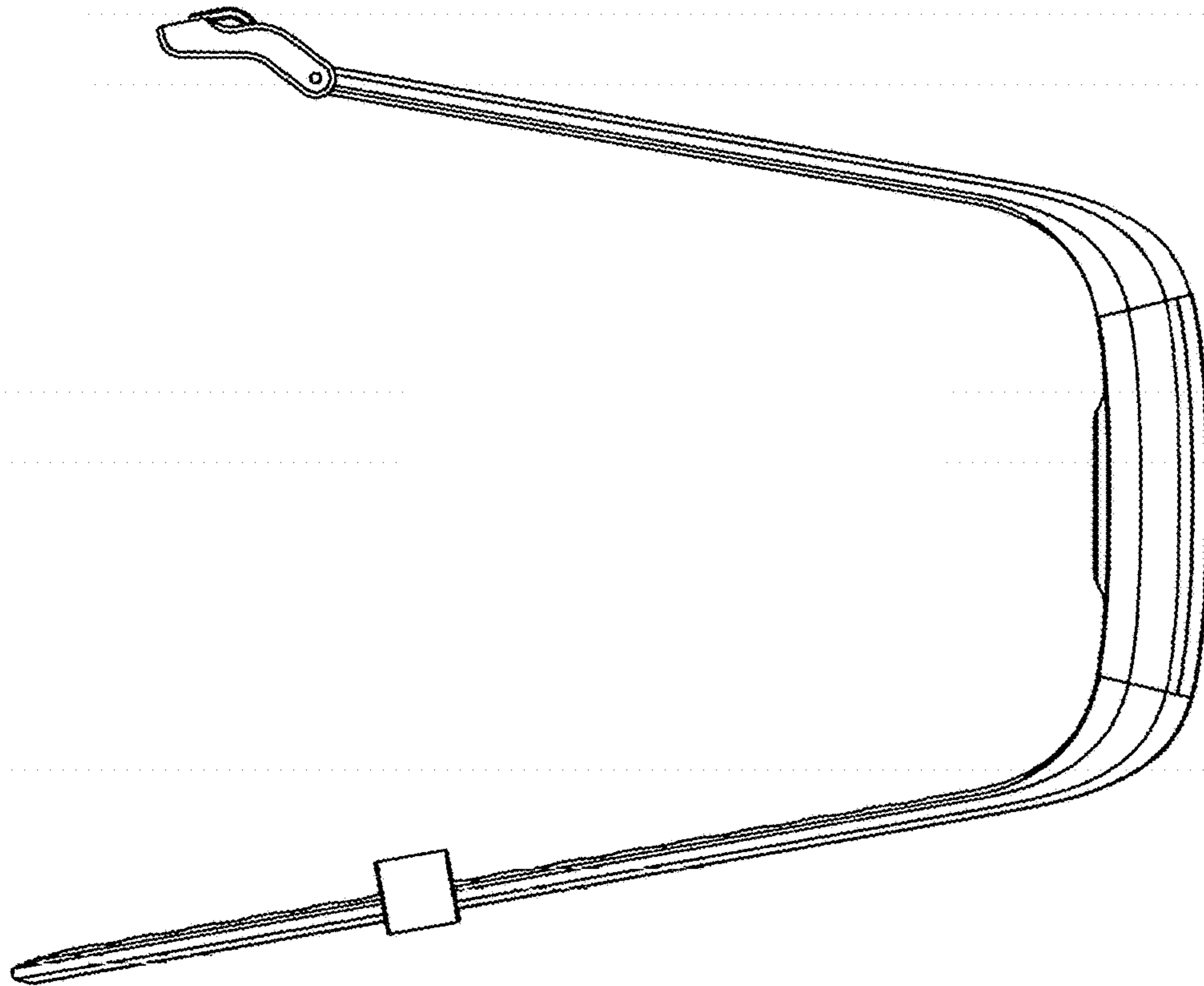


FIG.4

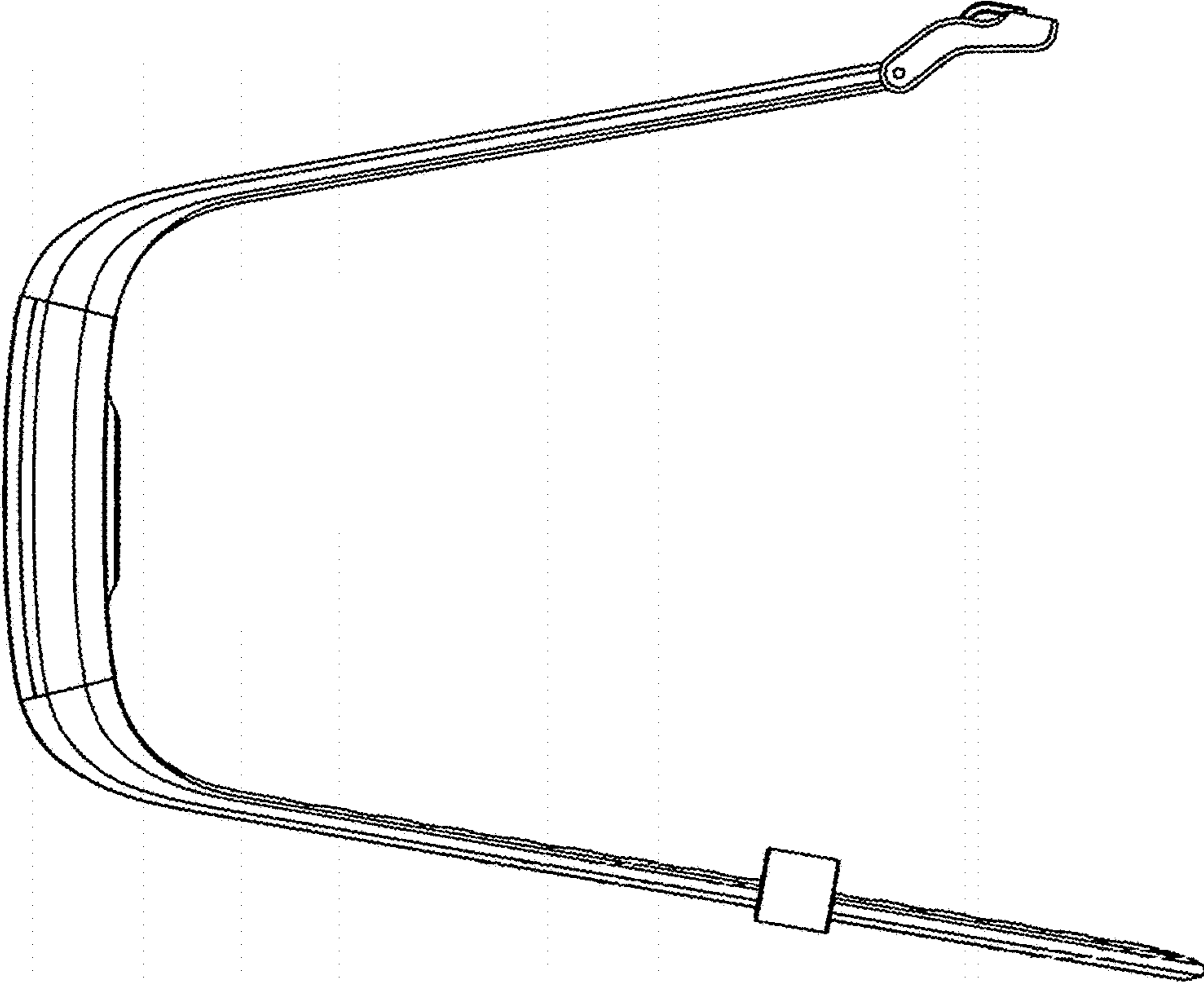


FIG.5

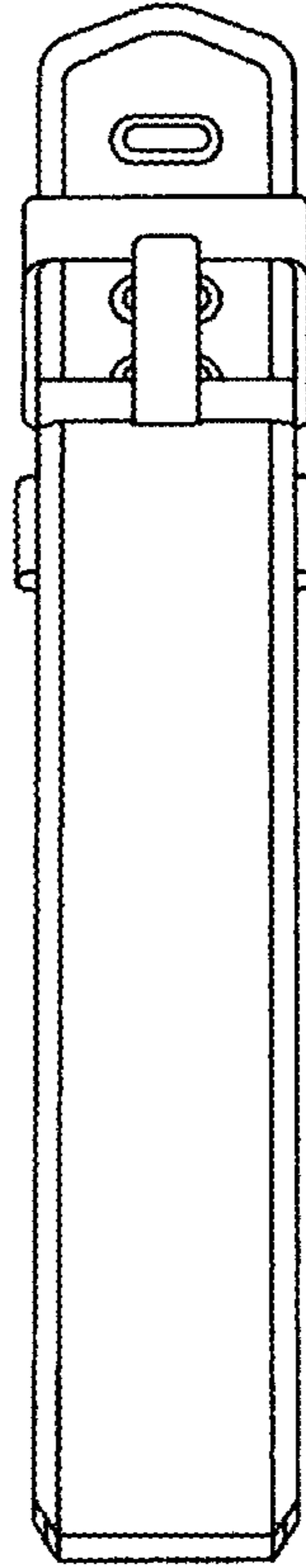


FIG.6

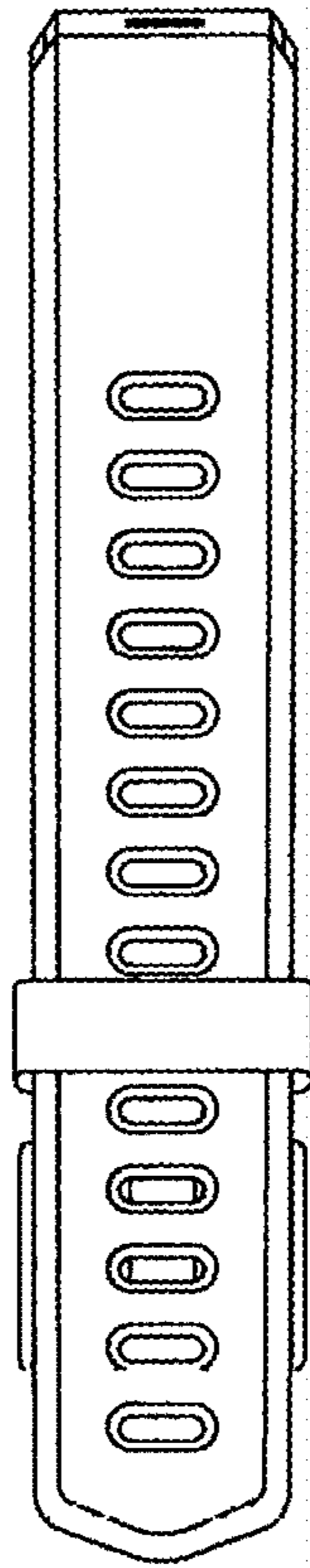


FIG. 7



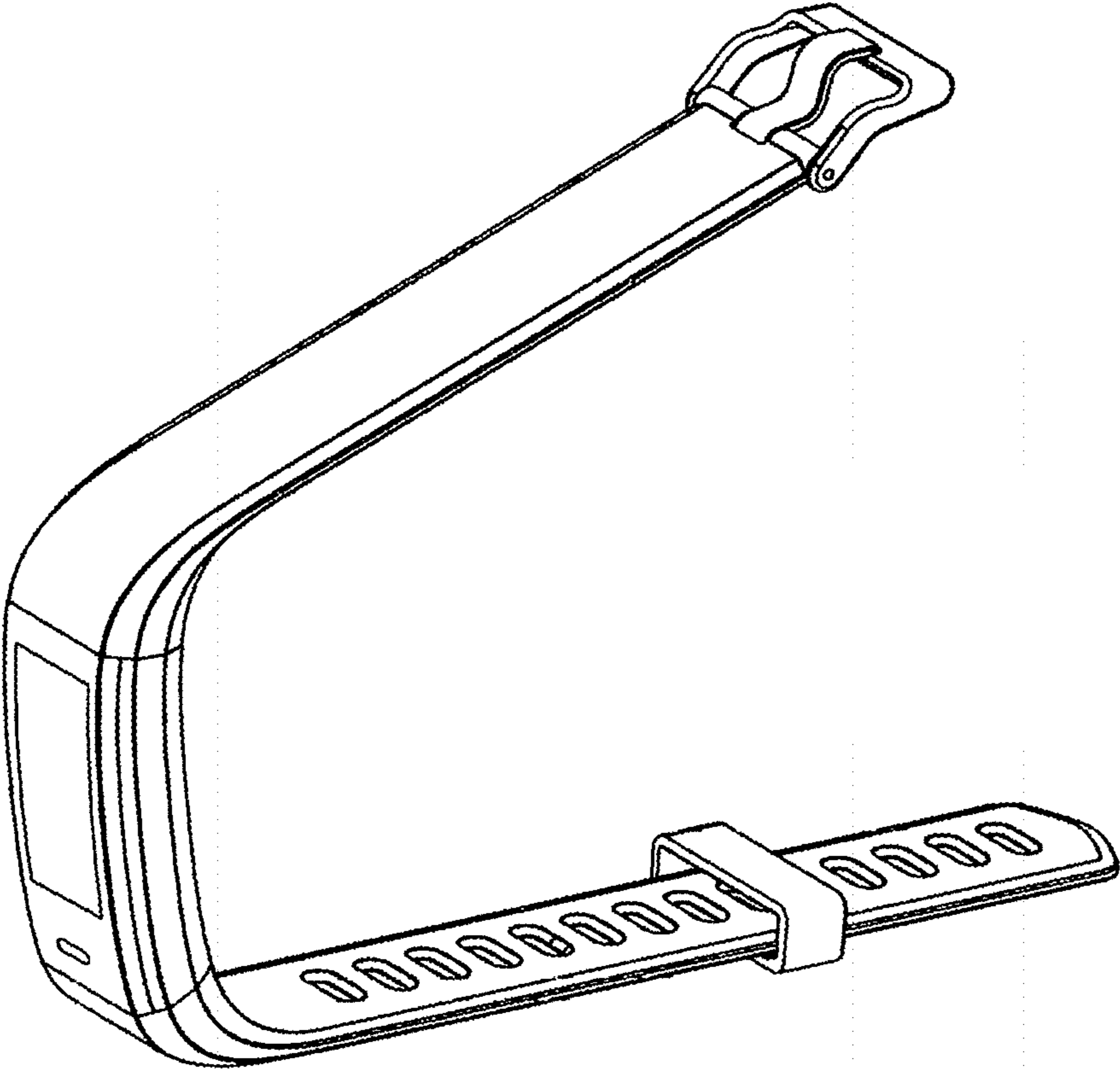


FIG. 8