



US00D822831S

(12) **United States Design Patent**
Knudsen et al.

(10) **Patent No.:** **US D822,831 S**

(45) **Date of Patent:** **** Jul. 10, 2018**

(54) **STICKING PLASTER FOR MEDICAL PURPOSES**

(71) Applicant: **MERMAID MEDICAL A/S**, Stenløse (DK)

(72) Inventors: **Kenneth Vig Knudsen**, Stenloese (DK); **Arthur Parkhurst**, Neenah, WI (US)

(**) Term: **15 Years**

(21) Appl. No.: **35/502,335**

(22) Filed: **Oct. 11, 2016**

(80) **Hague Agreement Data**

Int. Filing Date: **Oct. 11, 2016**

Int. Reg. No.: **DM/094195**

Int. Reg. Date: **Oct. 11, 2016**

Int. Reg. Pub. Date: **Jan. 27, 2017**

(30) **Foreign Application Priority Data**

Sep. 1, 2016 (EM) 003360338

(51) **LOC (11) Cl.** **24-02**

(52) **U.S. Cl.**

USPC **D24/128**

(58) **Field of Classification Search**

USPC D24/127-130, 189, 190, 200, 205, 206;
D29/100-101.3

CPC .. A61M 1/0088; A61M 27/00; A61M 1/0031;
A61M 1/0092; A61M 1/0023

See application file for complete search history.

(56) **References Cited**

U.S. PATENT DOCUMENTS

D258,387 S * 2/1981 De Frank 604/177

4,699,616 A * 10/1987 Nowak A61M 25/02
128/DIG. 26

4,874,380 A * 10/1989 Hesketh A61M 25/02

128/DIG. 26

5,224,935 A * 7/1993 Hollands A61M 25/02

128/DIG. 26

D616,091 S * 5/2010 Kyvik D24/128

D616,983 S * 6/2010 Kyvik D24/128

D715,927 S * 10/2014 Kyvik D24/128

D715,928 S * 10/2014 Kyvik D24/128

D717,946 S * 11/2014 Kyvik D24/128

D759,828 S * 6/2016 Riedle D24/189

* cited by examiner

Primary Examiner — George D. Kirschbaum

Assistant Examiner — Jennifer L. Watkins

(74) *Attorney, Agent, or Firm* — Sunstein Kann Murphy & Timbers LLP

(57) **CLAIM**

The ornamental design for a sticking plaster for medical purposes, as shown and described.

DESCRIPTION

1. Sticking plaster for medical purposes

Figure 1.1 is a perspective view of a sticking plaster for medical purposes showing our new design;

Figure 1.2 is another perspective view thereof in position of use;

Figure 1.3 is a left perspective view thereof in an alternate configuration;

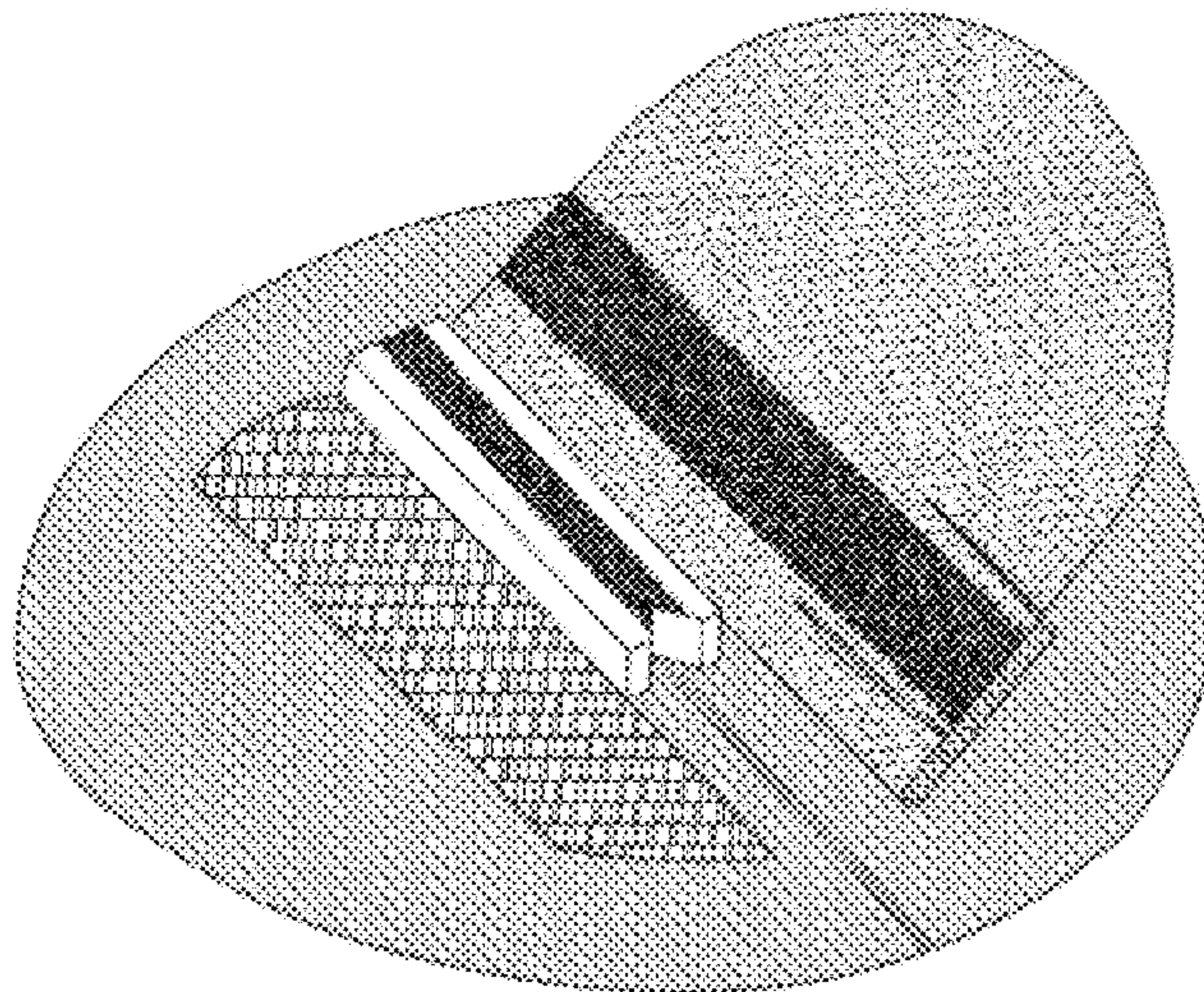
Figure 1.4 is a top perspective view thereof in an alternate position of use;

Figure 1.5 is another top perspective view thereof in an alternate position of use; and

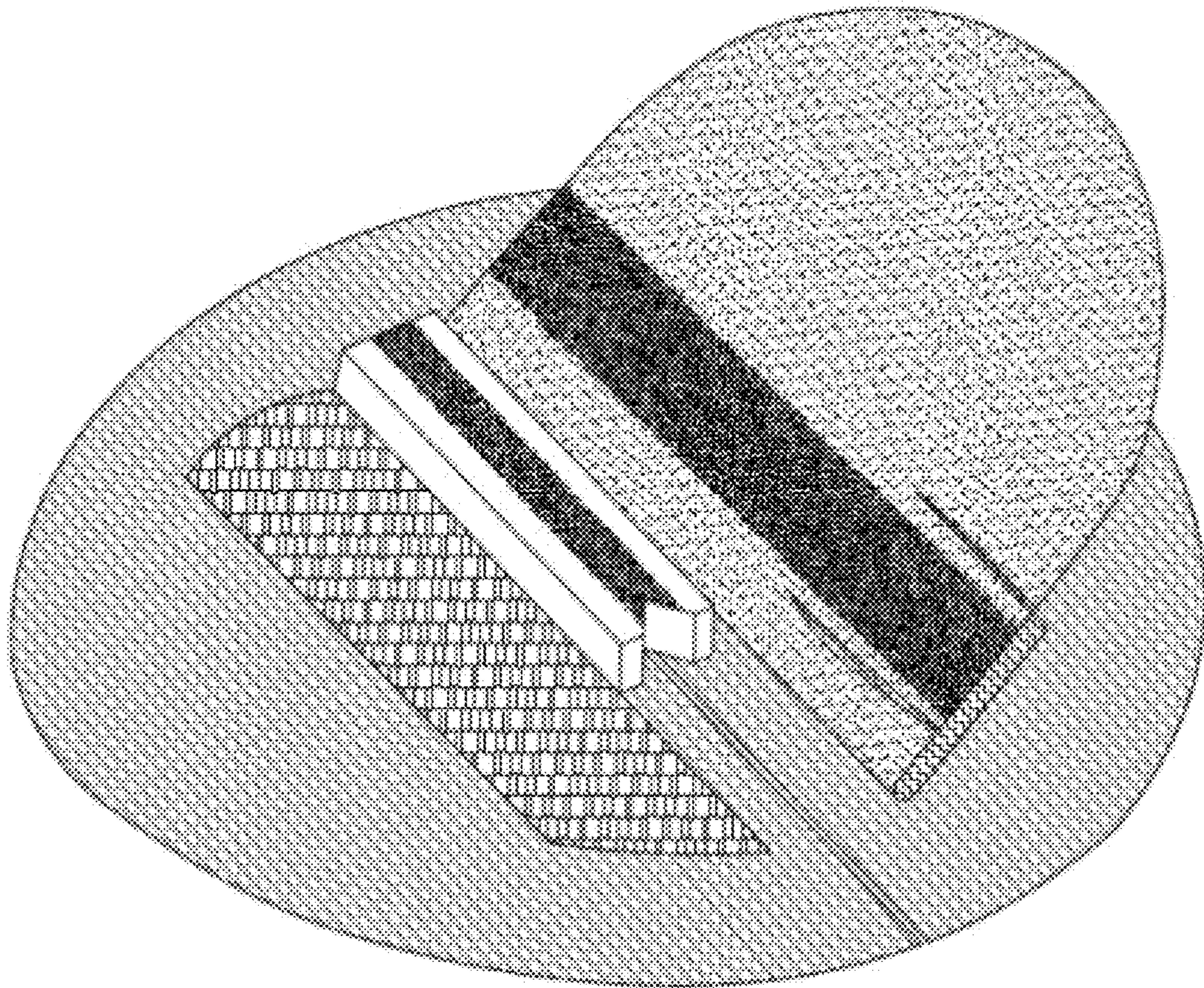
Figure 1.6 is a bottom view thereof.

The broken line showing of a sticking plaster for medical purposes is for the purpose of illustrating environment and forms no part of the claim.

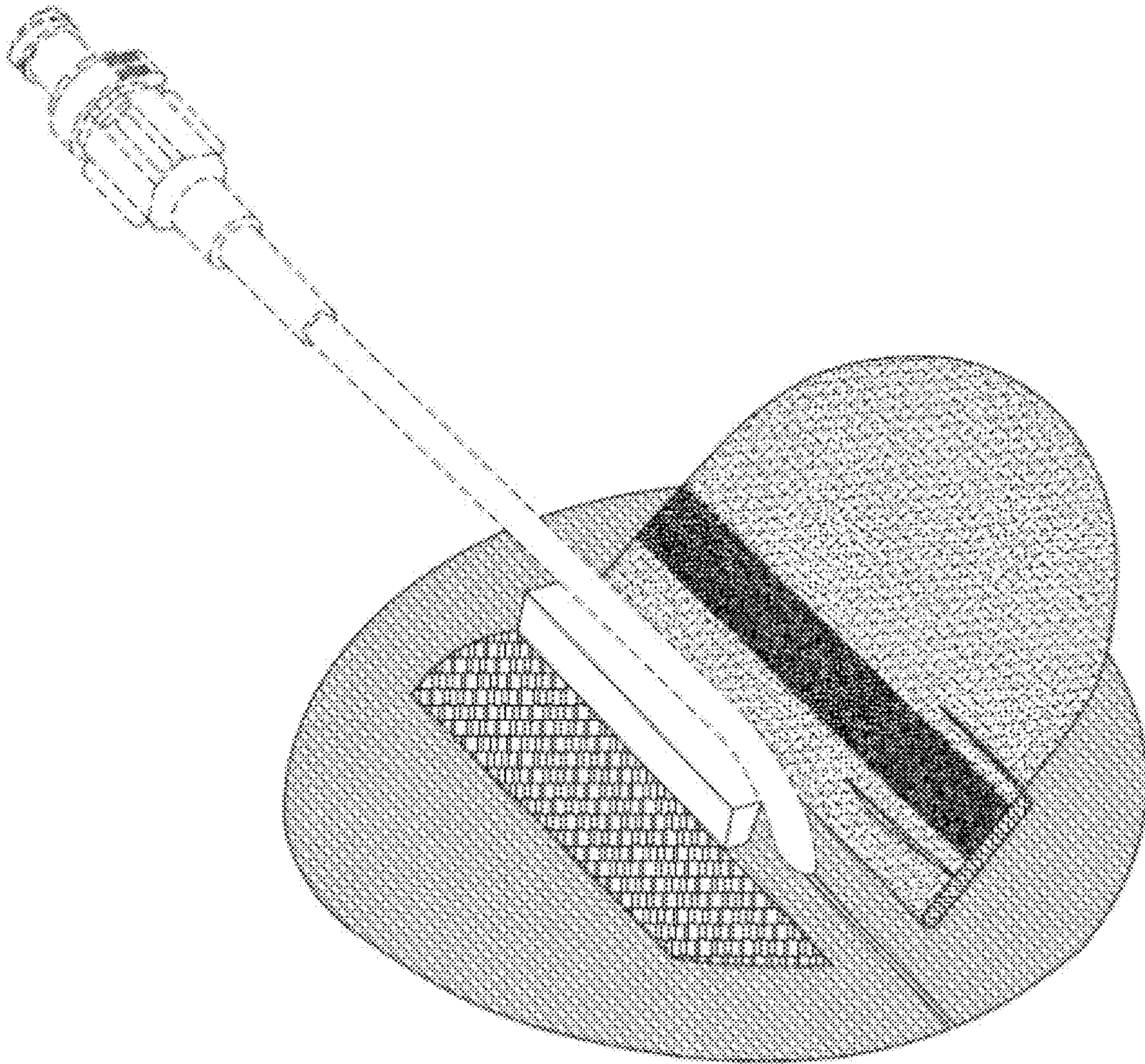
1 Claim, 6 Drawing Sheets



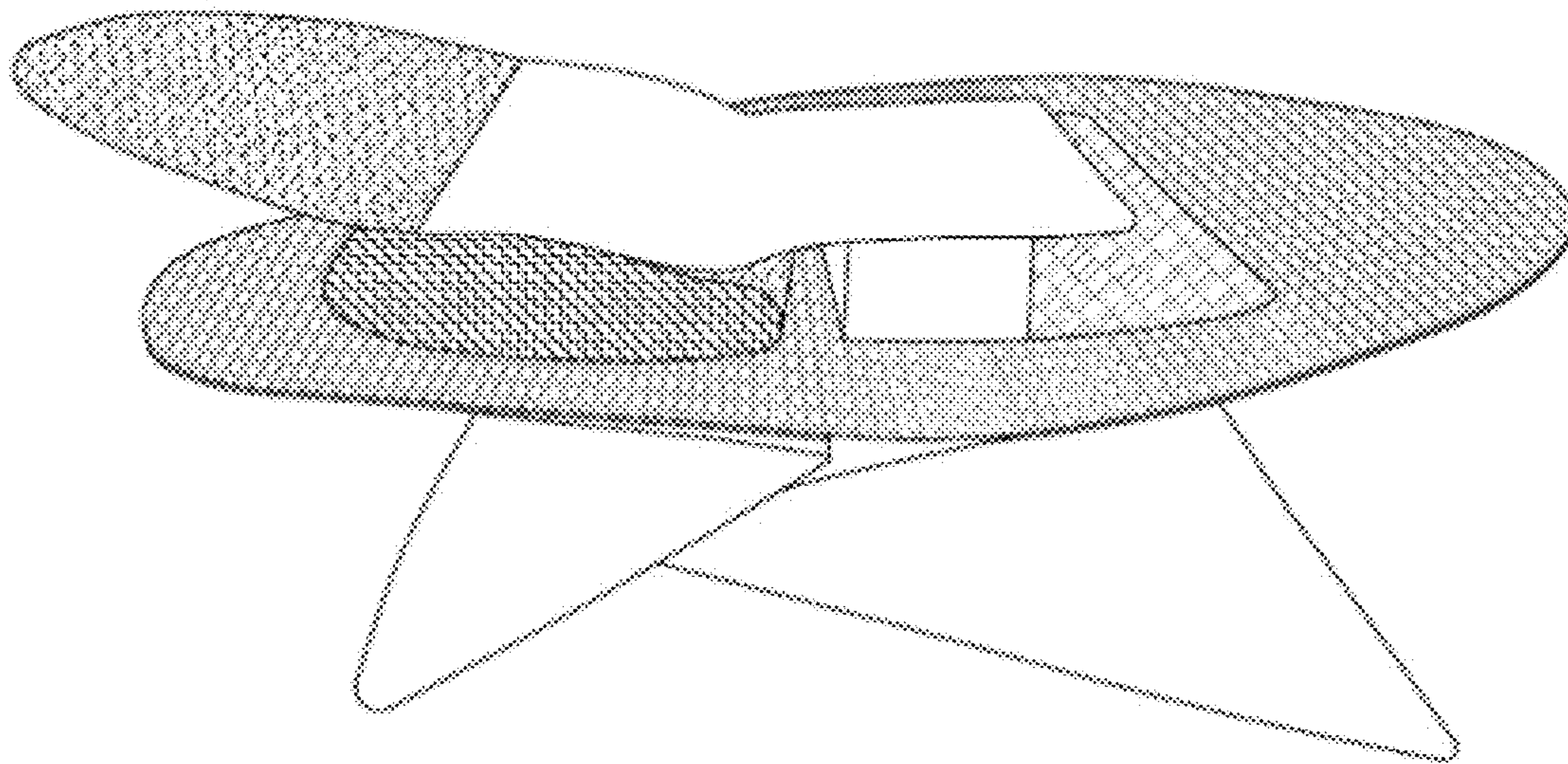
1.1



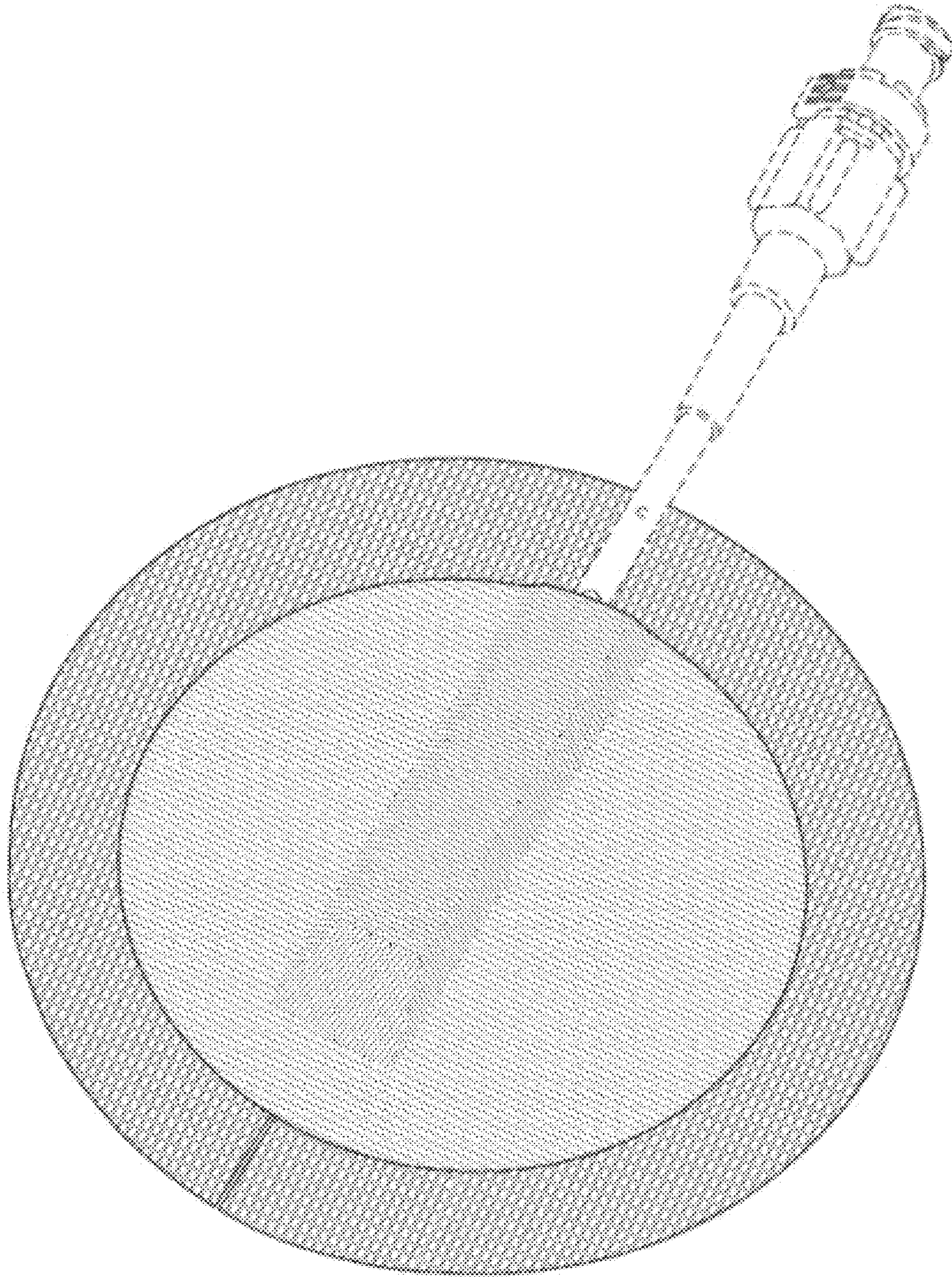
1.2



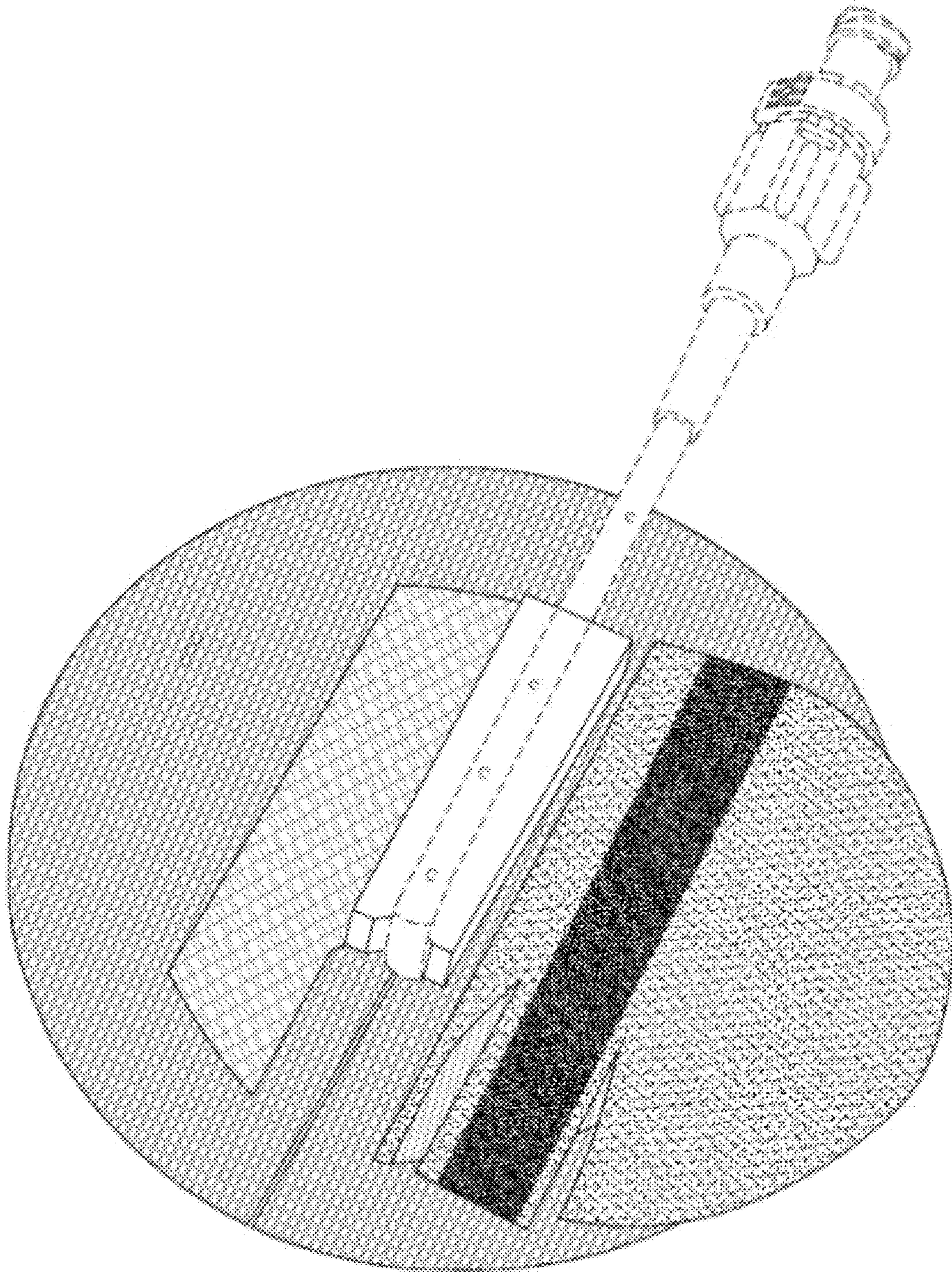
1.3



1.4



1.5



1.6

