



US00D822829S

(12) **United States Design Patent**
Hosogoe

(10) **Patent No.:** **US D822,829 S**
(45) **Date of Patent:** **** Jul. 10, 2018**

- (54) **END CAP FOR AN ENDOSCOPE**
- (71) Applicant: **Hoya Corporation**, Tokyo (JP)
- (72) Inventor: **Yoshitsugu Hosogoe**, Tokyo (JP)
- (73) Assignee: **HOYA CORPORATION**, Tokyo (JP)
- (**) Term: **15 Years**
- (21) Appl. No.: **29/600,603**
- (22) Filed: **Apr. 13, 2017**

D625,805 S *	10/2010	Hereford	D24/108
D636,078 S *	4/2011	Leypold	D24/129
D656,232 S *	3/2012	Villasana	D24/128
D672,460 S *	12/2012	Baid	D24/130
D702,343 S *	4/2014	Dale	D24/129
D733,291 S *	6/2015	Wang	D24/129
D744,645 S *	12/2015	Smith	D24/133
D757,258 S *	5/2016	Weißhaupt	D24/127

(Continued)

Primary Examiner — David Muller
Assistant Examiner — Nathan Johnston
 (74) *Attorney, Agent, or Firm* — James R. Gourley;
 Carstens & Cahoon, LLP

- (30) **Foreign Application Priority Data**
 Oct. 14, 2016 (JP) 2016-022457
- (51) **LOC (11) Cl.** **24-02**
- (52) **U.S. Cl.**
 USPC **D24/127**
- (58) **Field of Classification Search**
 USPC D24/127, 129, 112–114, 130, 104, 133,
 D24/186, 108; 606/181, 185; 604/264,
 604/272, 115, 164.01–164.09, 533, 232,
 604/187, 168.01, 192, 19, 48, 93.01, 523,
 604/524, 526; 600/101, 139, 143;
 128/200.24, 207.14, 207.15; 601/67
 CPC A61M 5/5086; A61M 2005/3104; A61M
 39/045; A61M 2005/312; A61M 5/50;
 A61B 1/00101; A61B 1/042; A61B 1/31;
 G02B 23/2453
 See application file for complete search history.

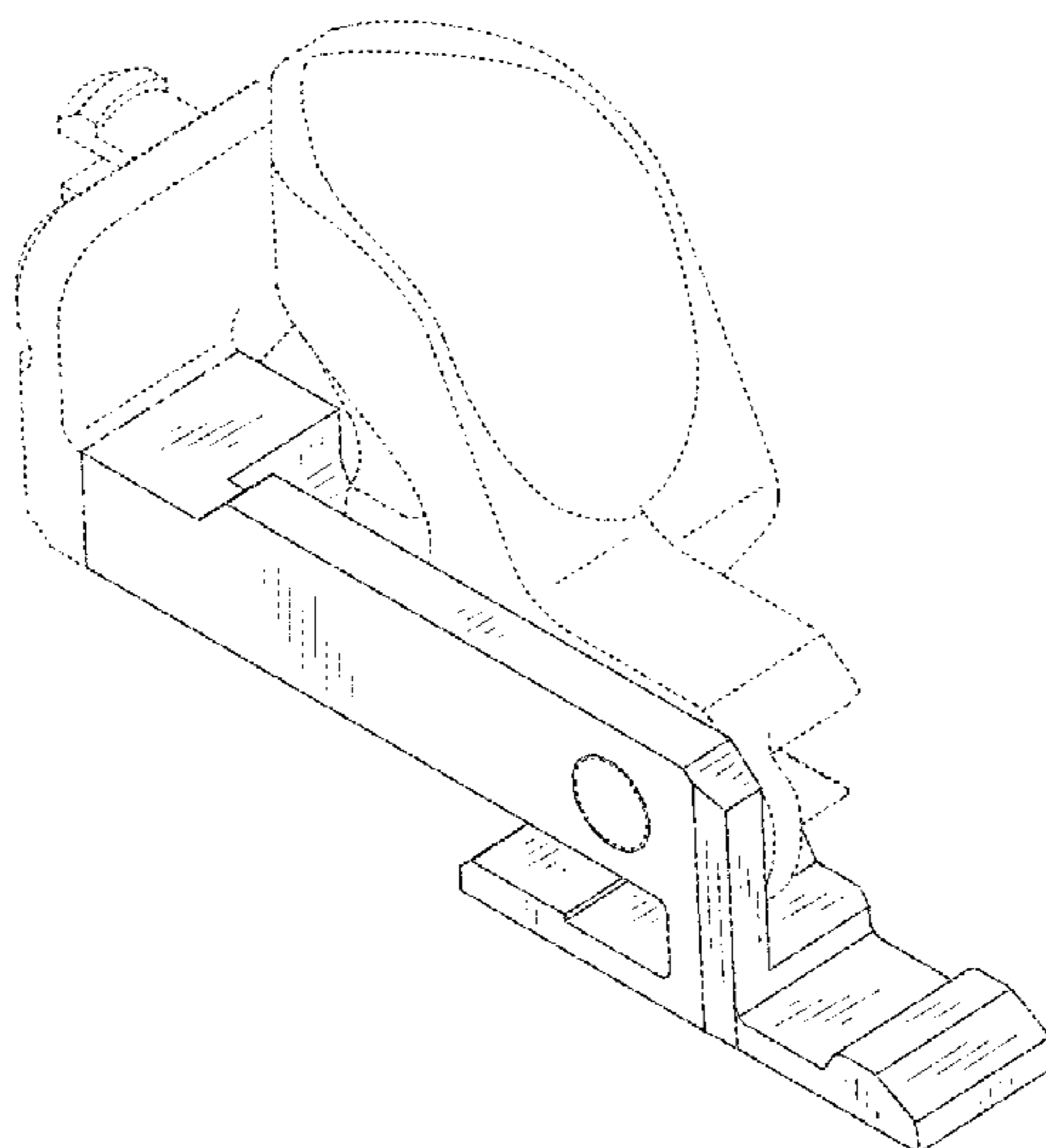
(57) **CLAIM**
 The ornamental design for an end cap for an endoscope, as shown and described.

DESCRIPTION

FIG. 1 is a top perspective view of an end cap for an endoscope showing my new design;
 FIG. 2 is a top plan view thereof;
 FIG. 3 is a right side view thereof;
 FIG. 4 is a cross-sectional view taken along line 4-4 in FIG. 3;
 FIG. 5 is a cross-sectional view taken along line 5-5 in FIG. 3;
 FIG. 6 is a cross-sectional view taken along line 6-6 in FIG. 3;
 FIG. 7 is a front, top, and right side enlarged perspective view of a raising stand and other interior mechanism elements thereof; and,
 FIG. 8 is a rear, top, and left side enlarged perspective view of a raising stand and other interior mechanism elements thereof.
 The broken lines illustrate portions of the end cap for an endoscope and form no part of the claimed design. The dash-dotted lines denote the boundary of the claim and form no part of the claimed design.

- (56) **References Cited**
 U.S. PATENT DOCUMENTS
 D415,570 S * 10/1999 Bradshaw D24/224
 6,830,562 B2 * 12/2004 Mogensen A61M 5/158
 604/136
 D540,466 S * 4/2007 Homra A61G 13/101
 D24/128
 D601,247 S * 9/2009 Hardin D24/128

1 Claim, 4 Drawing Sheets



(56)

References Cited

U.S. PATENT DOCUMENTS

2008/0156322 A1* 7/2008 Isenberg A61M 16/0488
128/200.26

* cited by examiner

Fig.1

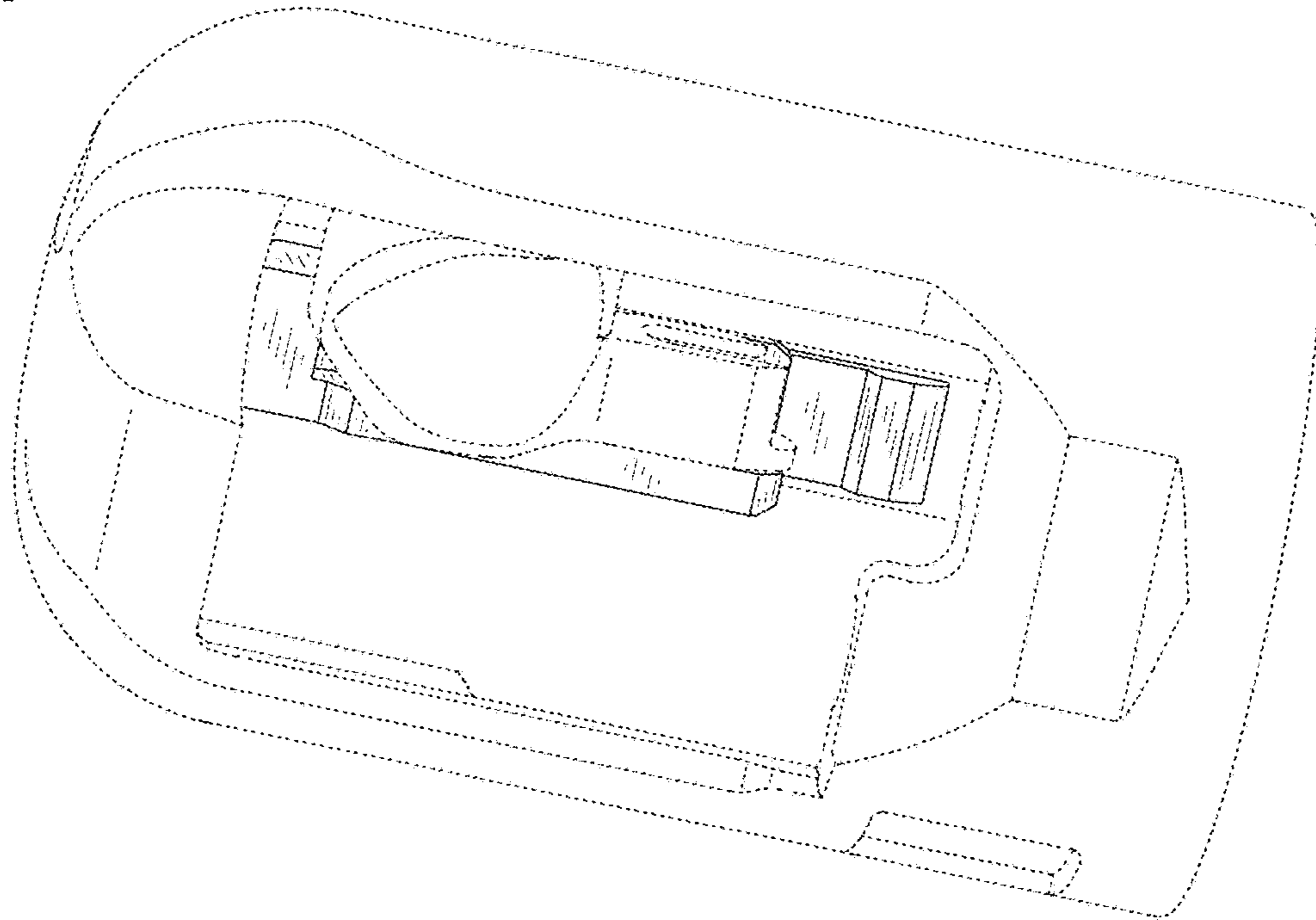


Fig.2

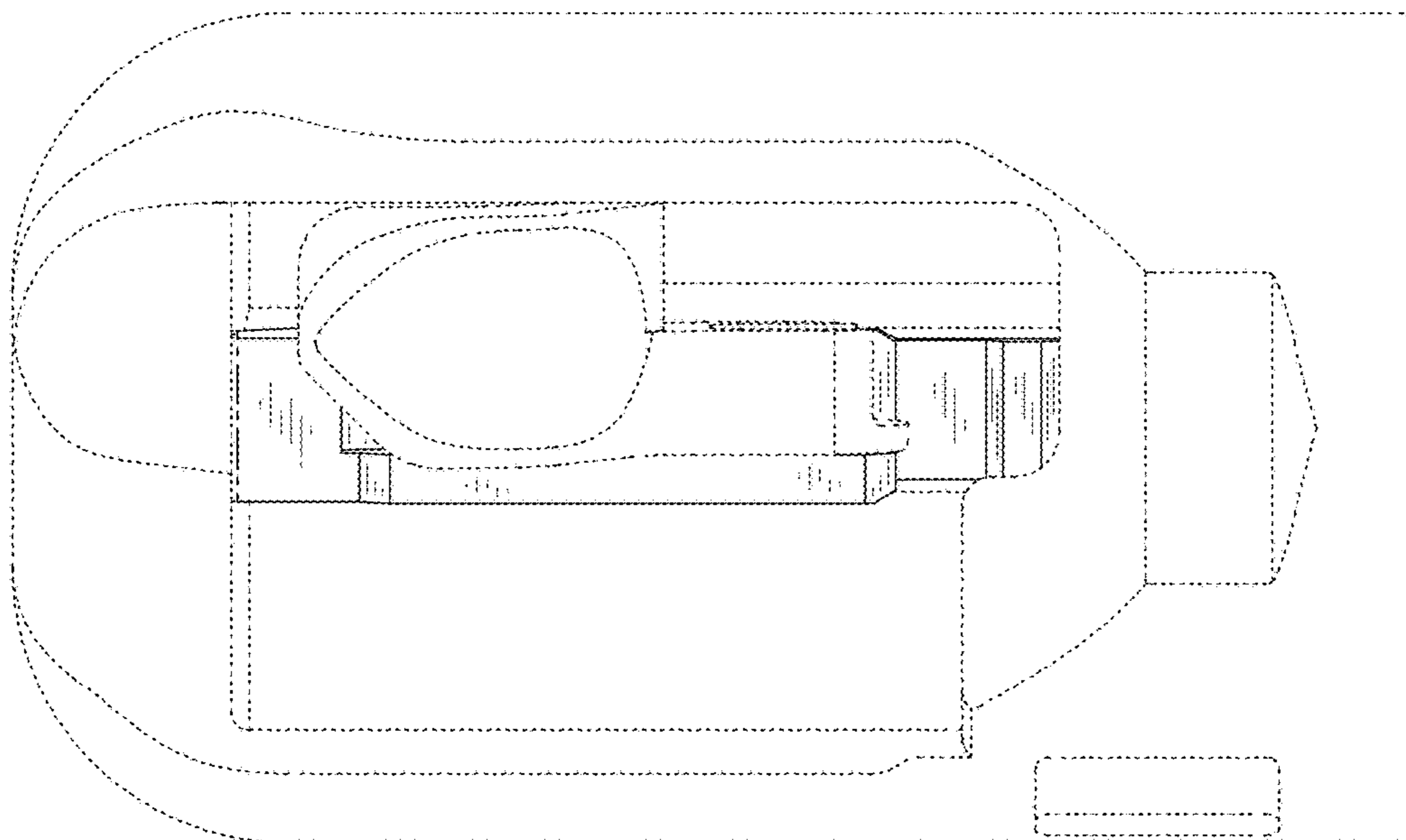


Fig.3

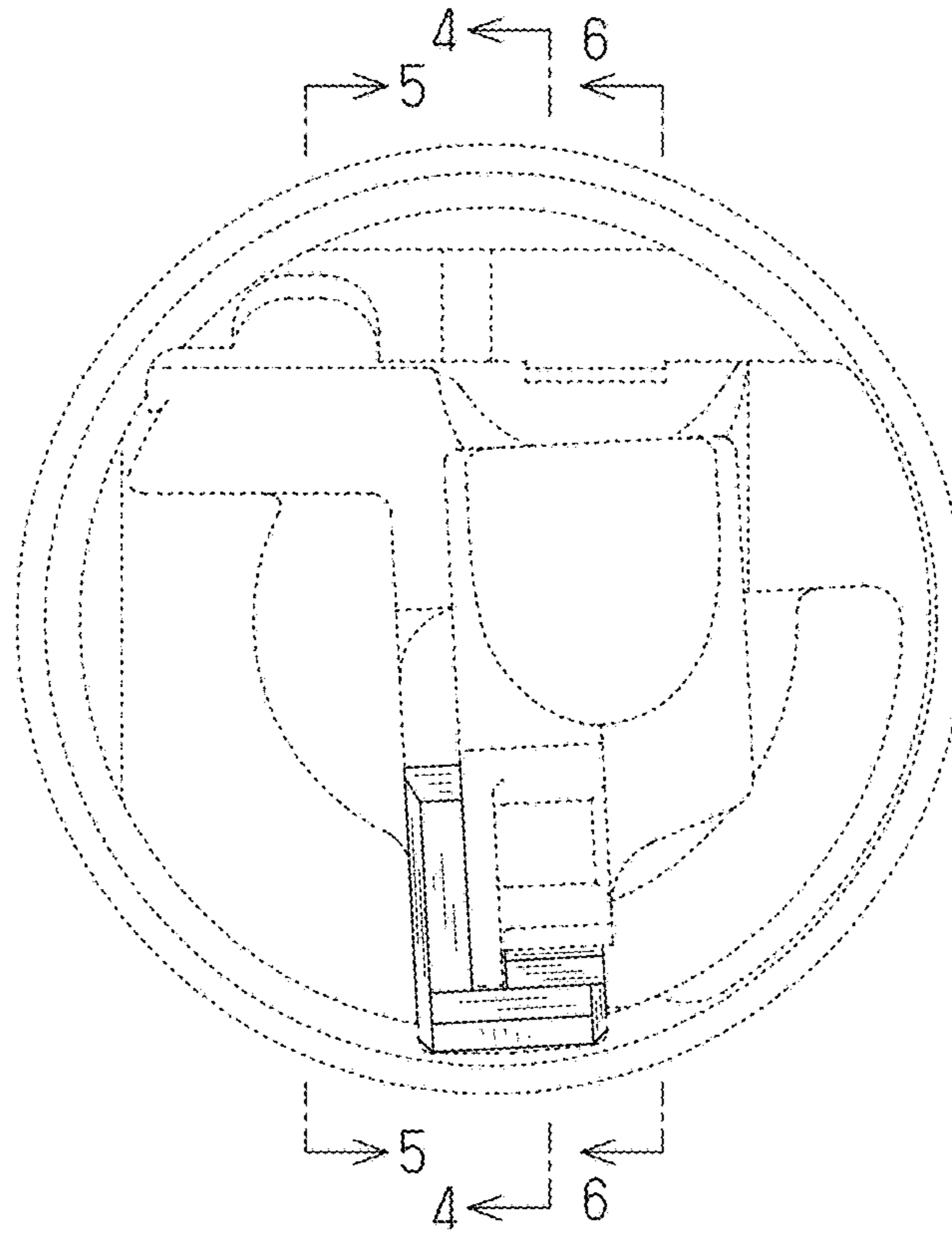


Fig.4

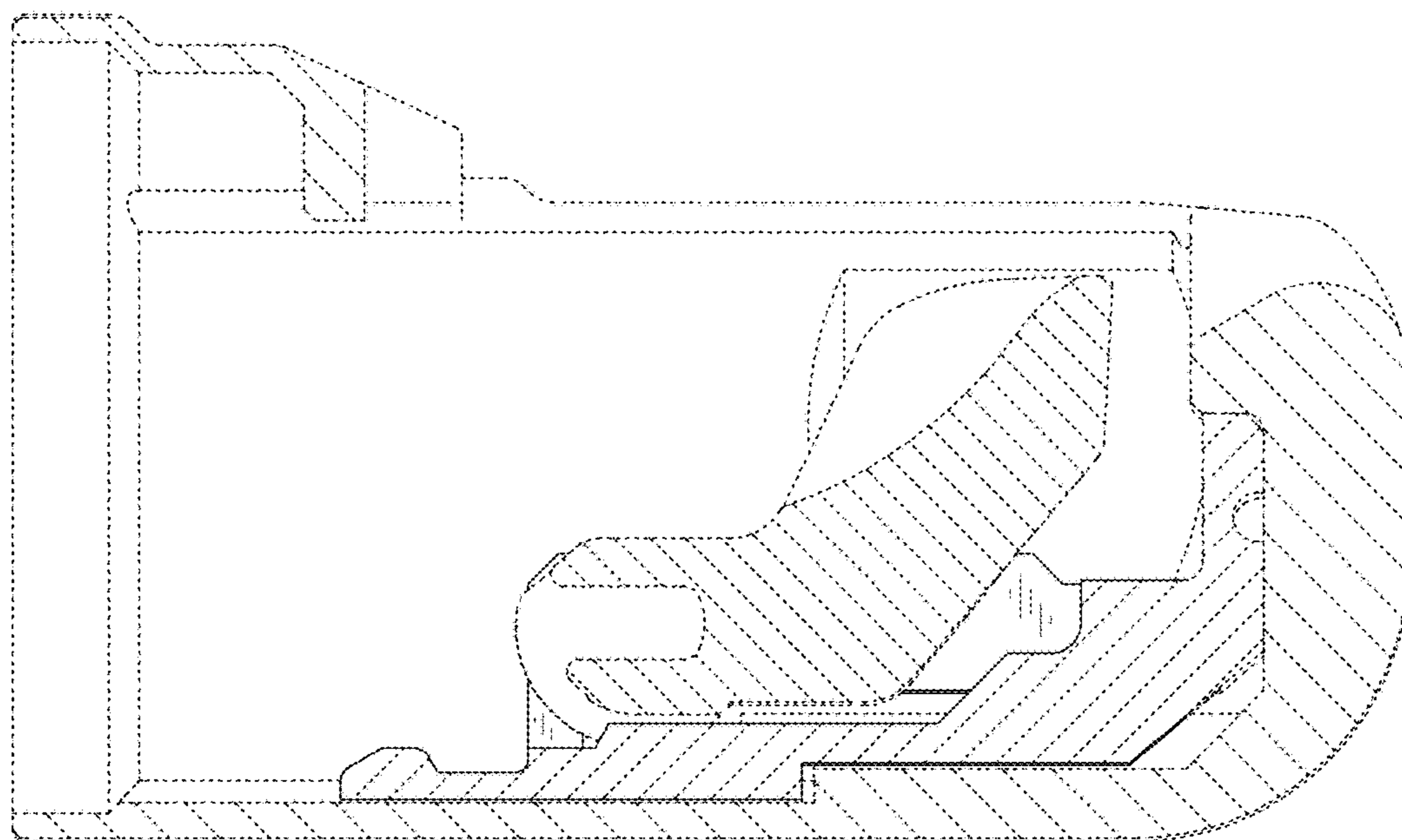


Fig.5

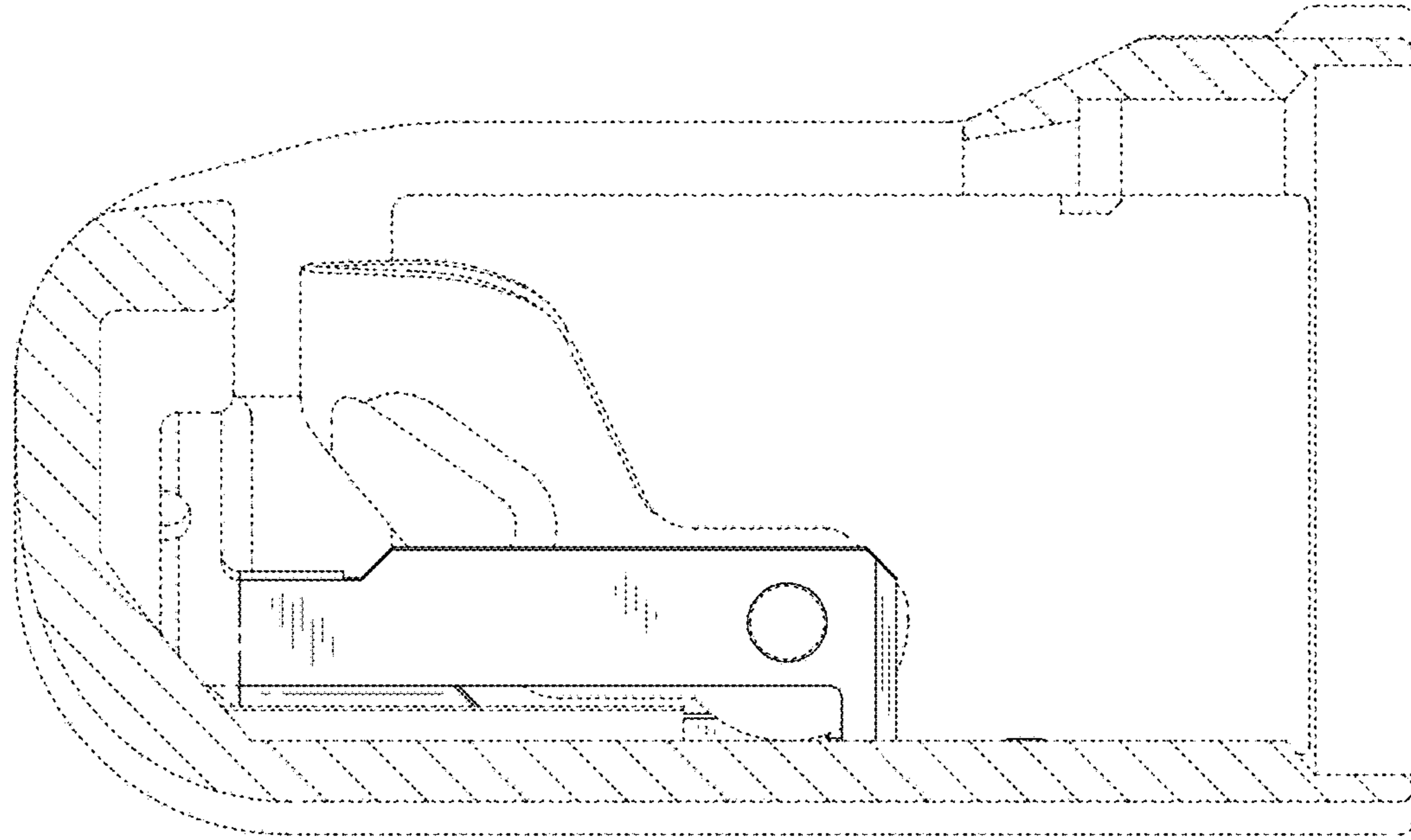


Fig.6

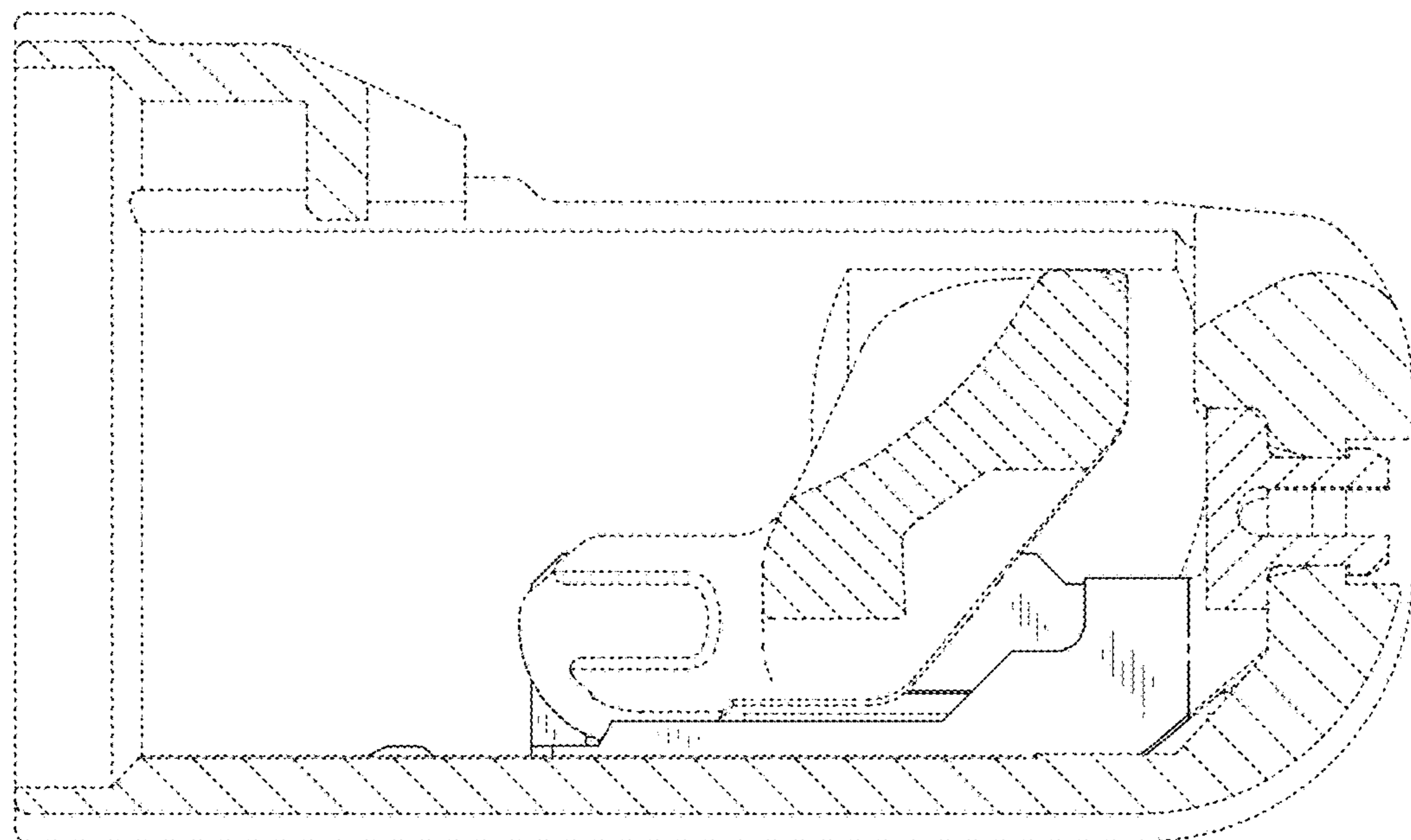


Fig.7

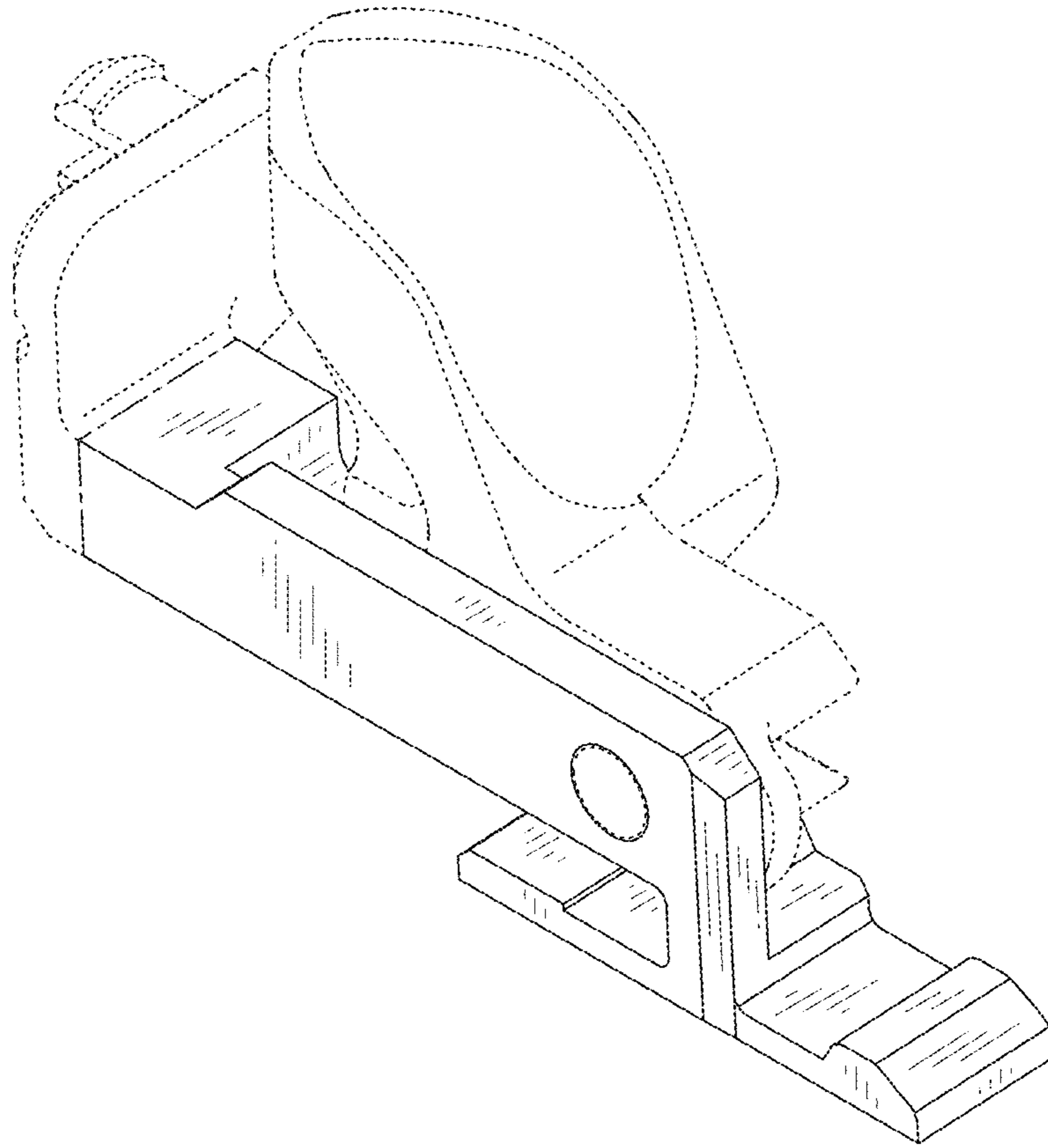


Fig.8

