



US00D822827S

(12) **United States Design Patent**
Hosogoe

(10) **Patent No.:** **US D822,827 S**

(45) **Date of Patent:** **** Jul. 10, 2018**

(54) **END CAP FOR AN ENDOSCOPE**
(71) Applicant: **Hoya Corporation**, Tokyo (JP)
(72) Inventor: **Yoshitsugu Hosogoe**, Tokyo (JP)
(73) Assignee: **HOYA CORPORATION**, Tokyo (JP)

(**) Term: **15 Years**

(21) Appl. No.: **29/600,598**

(22) Filed: **Apr. 13, 2017**

(30) **Foreign Application Priority Data**

Oct. 14, 2016 (JP) 2016-022455

(51) **LOC (11) Cl.** **24-02**

(52) **U.S. Cl.**
USPC **D24/127**

(58) **Field of Classification Search**
USPC D24/127, 129, 112-114, 130, 104, 133,
D24/186, 108; 606/181, 185; 604/264,
604/272, 115, 164.01-164.09, 533, 232,
604/187, 168.01, 192, 19, 48, 93.01, 523,
604/524, 526; 600/101, 139, 143;
128/200.24, 207.14, 207.15; 601/67
CPC A61M 5/5086; A61M 2005/3104; A61M
39/045; A61M 2005/312; A61M 5/50;
A61B 1/00101; A61B 1/042; A61B 1/31;
G02B 23/2453

See application file for complete search history.

(56) **References Cited**

U.S. PATENT DOCUMENTS

D302,729 S * 8/1989 Stephens D24/129
D362,718 S * 9/1995 Deily D24/129
D417,912 S * 12/1999 Dagsland D24/110
D476,742 S * 7/2003 Wilkinson D24/108
6,632,199 B1 * 10/2003 Tucker A61M 5/3134
604/192
D580,558 S * 11/2008 Shigesada D24/216

D581,046 S * 11/2008 Sudo D24/130
D596,289 S * 7/2009 Kawamura D24/130
D597,679 S * 8/2009 Shigesada D24/216
D612,493 S * 3/2010 Claessens D24/130
D612,939 S * 3/2010 Boone, III D24/133
D621,522 S * 8/2010 Wilkinson D24/224
D630,337 S * 1/2011 Chia D24/224

(Continued)

Primary Examiner — David Muller

Assistant Examiner — Nathan Johnston

(74) *Attorney, Agent, or Firm* — James R. Gourley;
Carstens & Cahoon, LLP

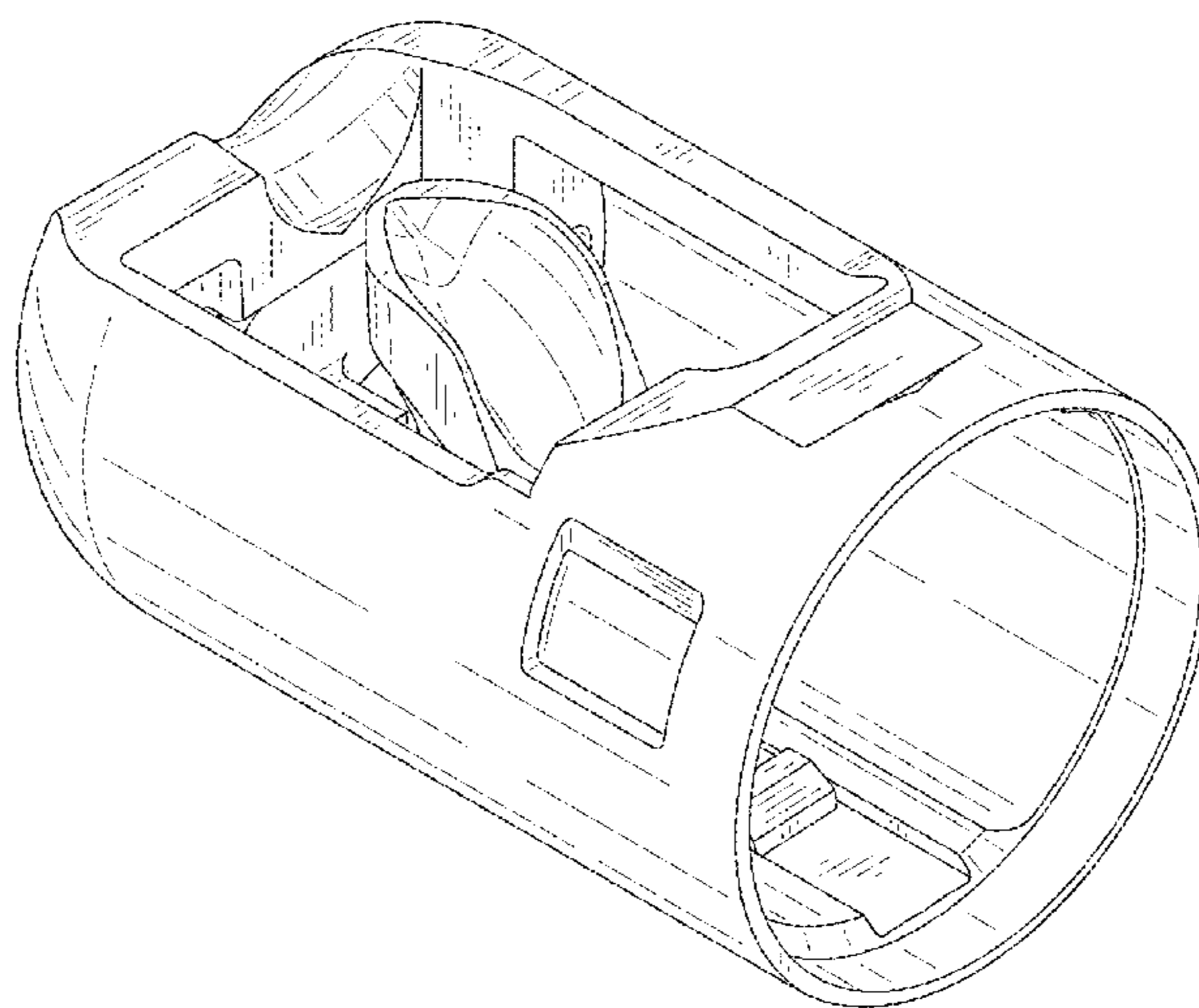
(57) **CLAIM**

The ornamental design for an end cap for an endoscope, as shown and described.

DESCRIPTION

FIG. 1 is a front, top, and, right side perspective view of an end cap for an endoscope showing my new design;
FIG. 2 is a top perspective view thereof;
FIG. 3 is a front view thereof;
FIG. 4 is a rear view thereof;
FIG. 5 is a top plan view thereof;
FIG. 6 is a bottom plan view thereof;
FIG. 7 is a right side view thereof;
FIG. 8 is a left side view thereof;
FIG. 9 is a cross-sectional view taken along line 9-9 in FIG. 7;
FIG. 10 is a cross-sectional view taken along line 10-10 in FIG. 7;
FIG. 11 is a cross-sectional view taken along line 11-11 in FIG. 7;
FIG. 12 is a front, top, and right side enlarged perspective view of a raising stand and other interior mechanism elements thereof; and,
FIG. 13 is a rear, top, and left side enlarged perspective view of a raising stand and other interior mechanism elements thereof.

1 Claim, 7 Drawing Sheets



(56)

References Cited

U.S. PATENT DOCUMENTS

D635,241	S	*	3/2011	McLean	D24/110
D647,627	S	*	10/2011	Wilkinson	D24/224
D679,008	S	*	3/2013	Schroeder	D24/129
D688,795	S	*	8/2013	Matsuura	D24/121
D690,827	S	*	10/2013	Curry	D24/224
D692,143	S	*	10/2013	shahidi bonjar	D24/112
D713,029	S	*	9/2014	Shiraishi	D24/130
8,840,590	B2	*	9/2014	Richards	A61M 5/3257 604/192
D715,948	S	*	10/2014	Peuker	D24/176
D724,755	S	*	3/2015	Wainwright	D24/223
D741,477	S	*	10/2015	Rogers	D24/129
D751,192	S	*	3/2016	She	D24/127
D757,926	S	*	5/2016	Van Sickle	D24/110
D764,661	S	*	8/2016	Babbs	D24/129
D777,903	S	*	1/2017	Schultz	D24/108
D779,057	S	*	2/2017	Wohlfahrt	D24/130
D783,816	S	*	4/2017	Wohlfahrt	D24/130
D787,052	S	*	5/2017	Heinz	D24/130
D787,669	S	*	5/2017	Huang	D24/130
D797,923	S	*	9/2017	Pereira	D24/112
D797,928	S	*	9/2017	Davis	D24/130
D799,028	S	*	10/2017	Giancursio, II	D24/122
D800,587	S	*	10/2017	Cho	D10/74
2004/0098010	A1	*	5/2004	Davison	A61B 5/150206 606/181
2011/0015578	A1	*	1/2011	Lowke	A61M 5/5086 604/192
2016/0129236	A1	*	5/2016	Arrizza	A61M 39/165 604/533

* cited by examiner

Fig.1

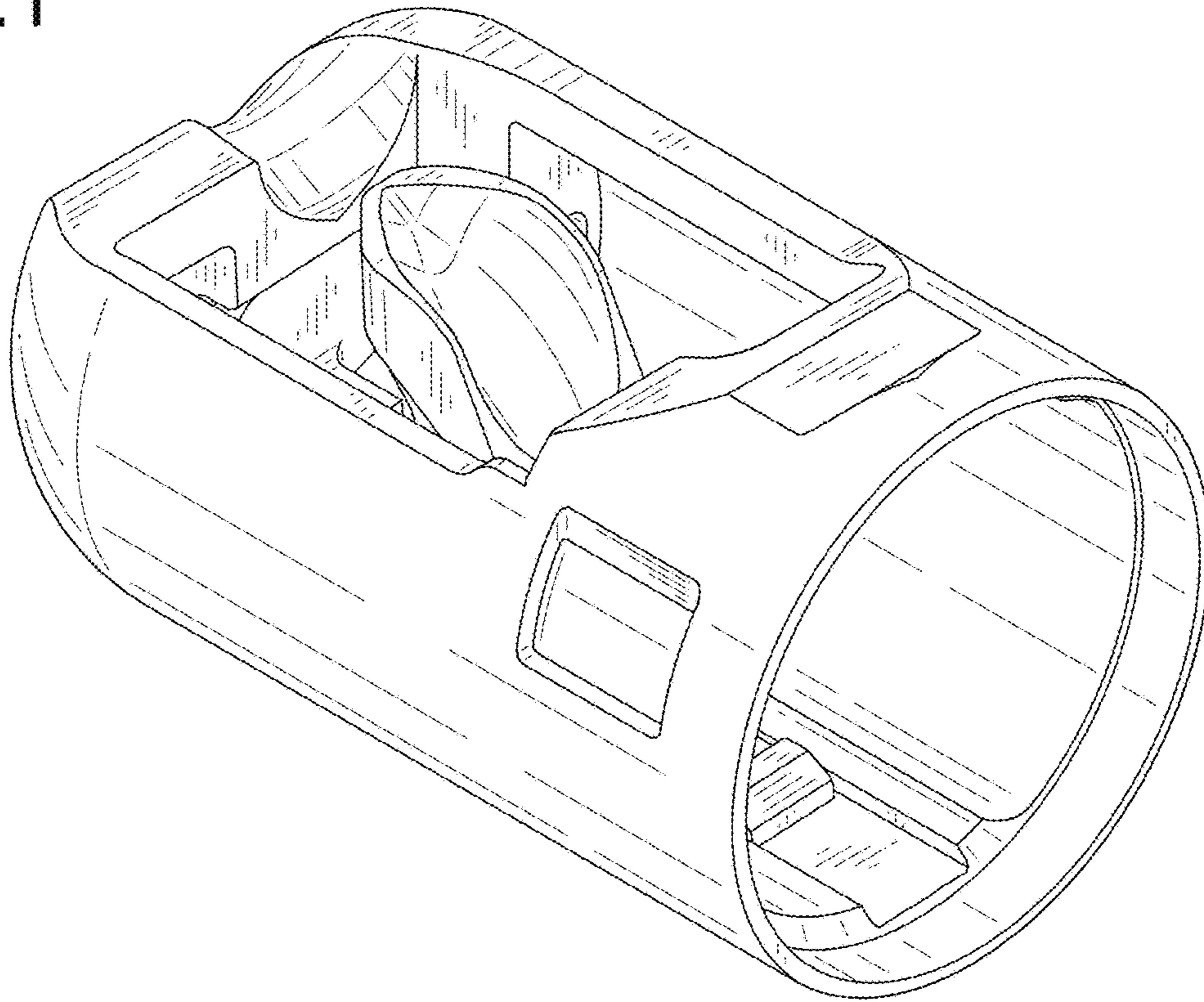


Fig.2

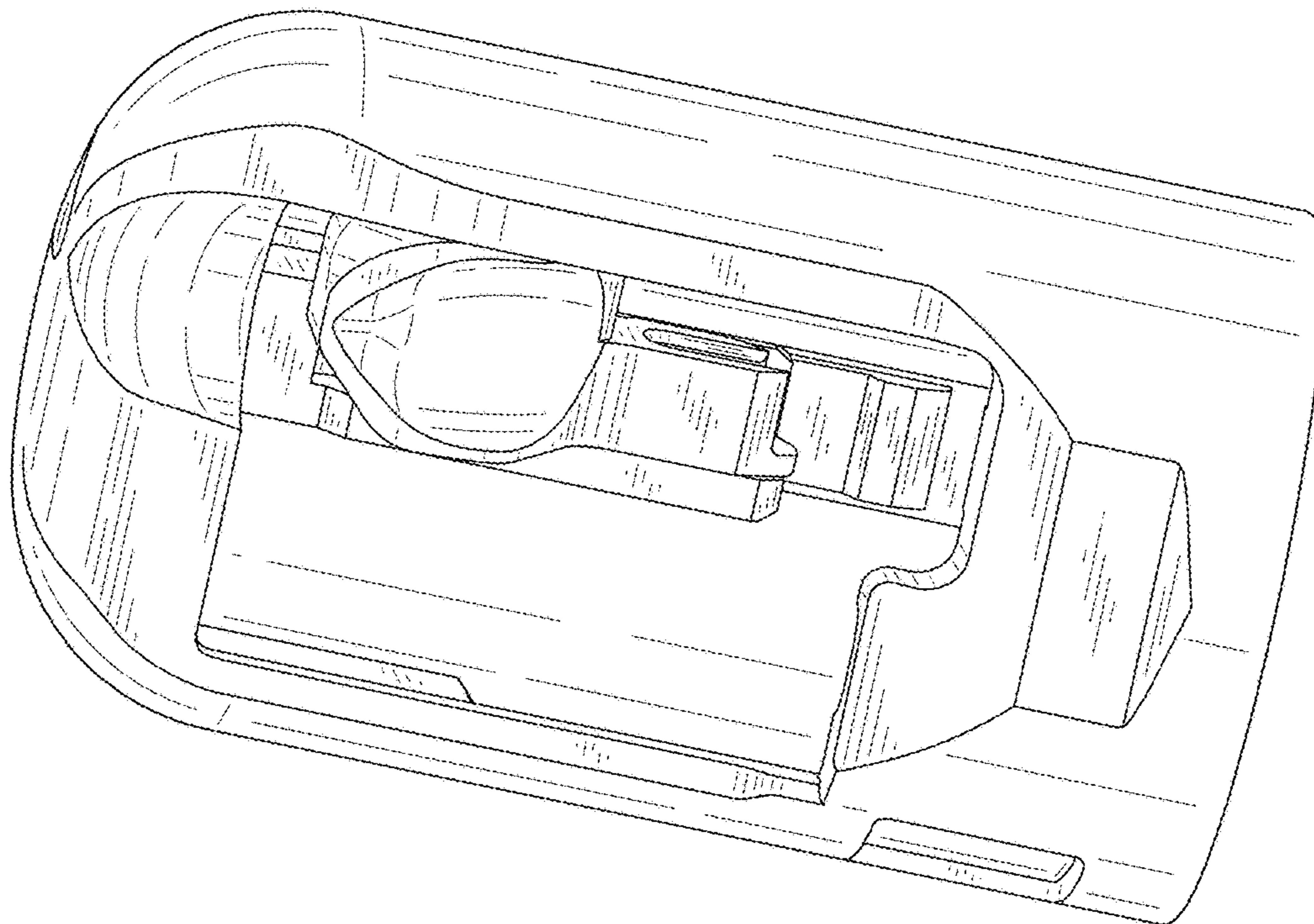


Fig.3

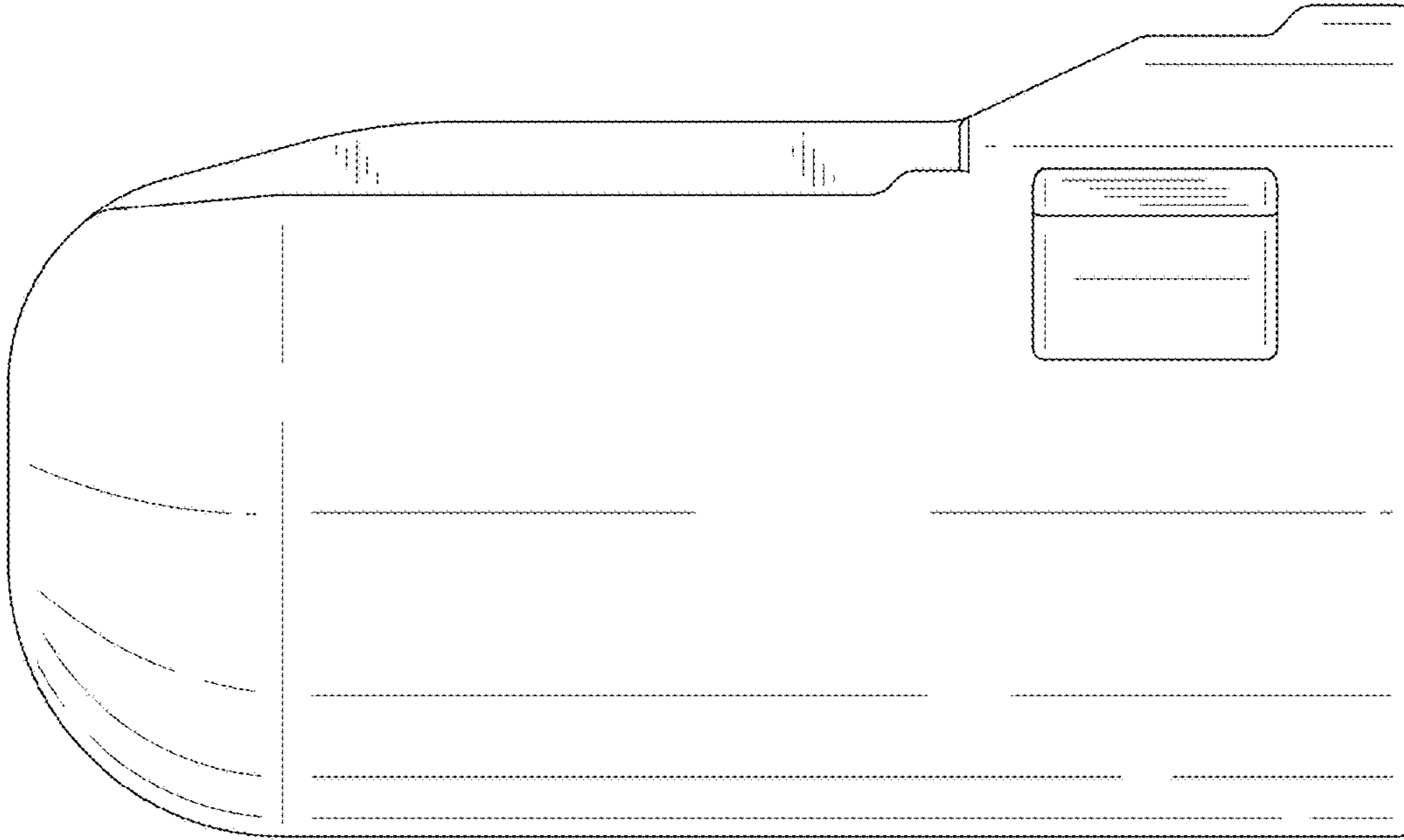


Fig.4

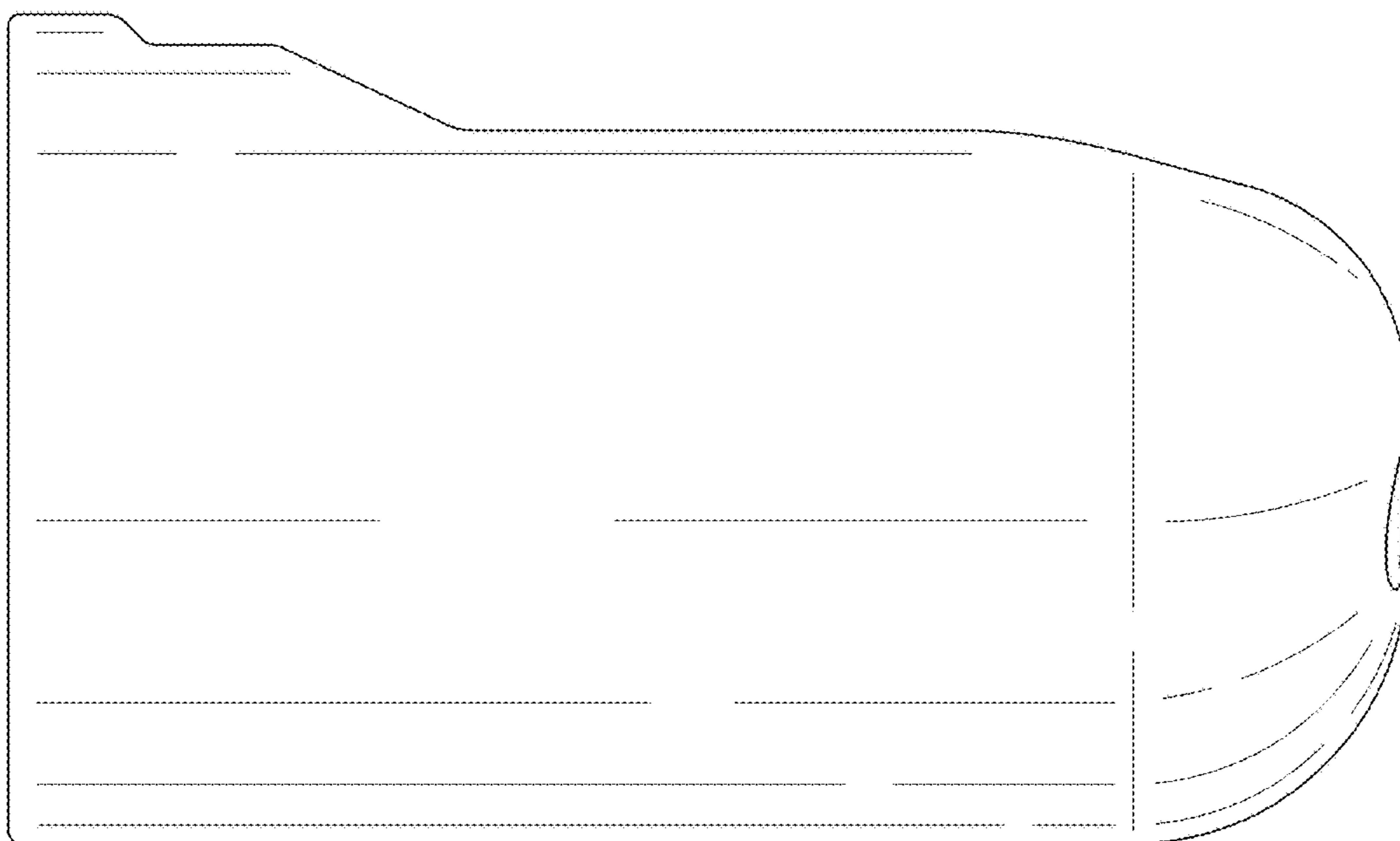


Fig.5

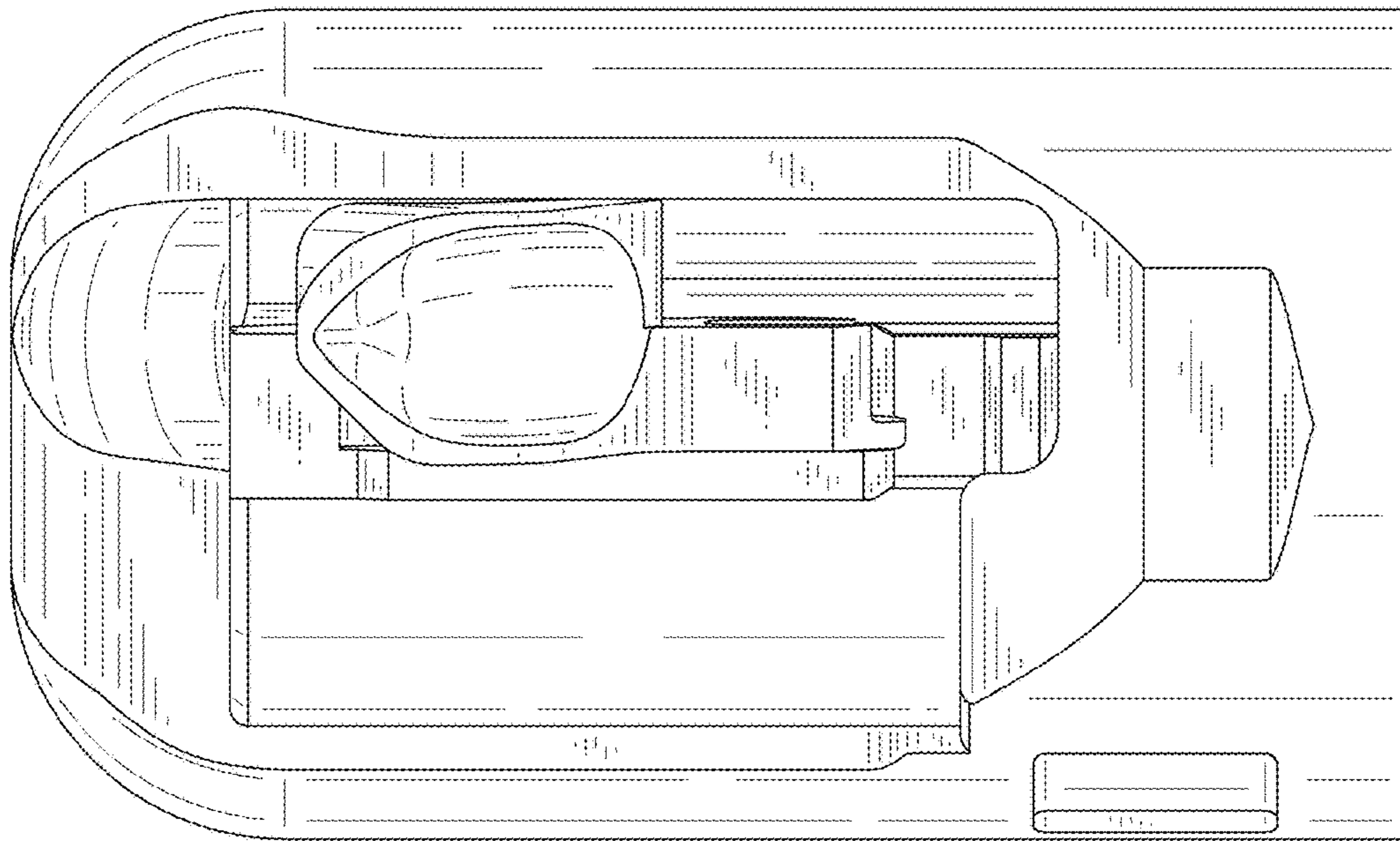


Fig.6

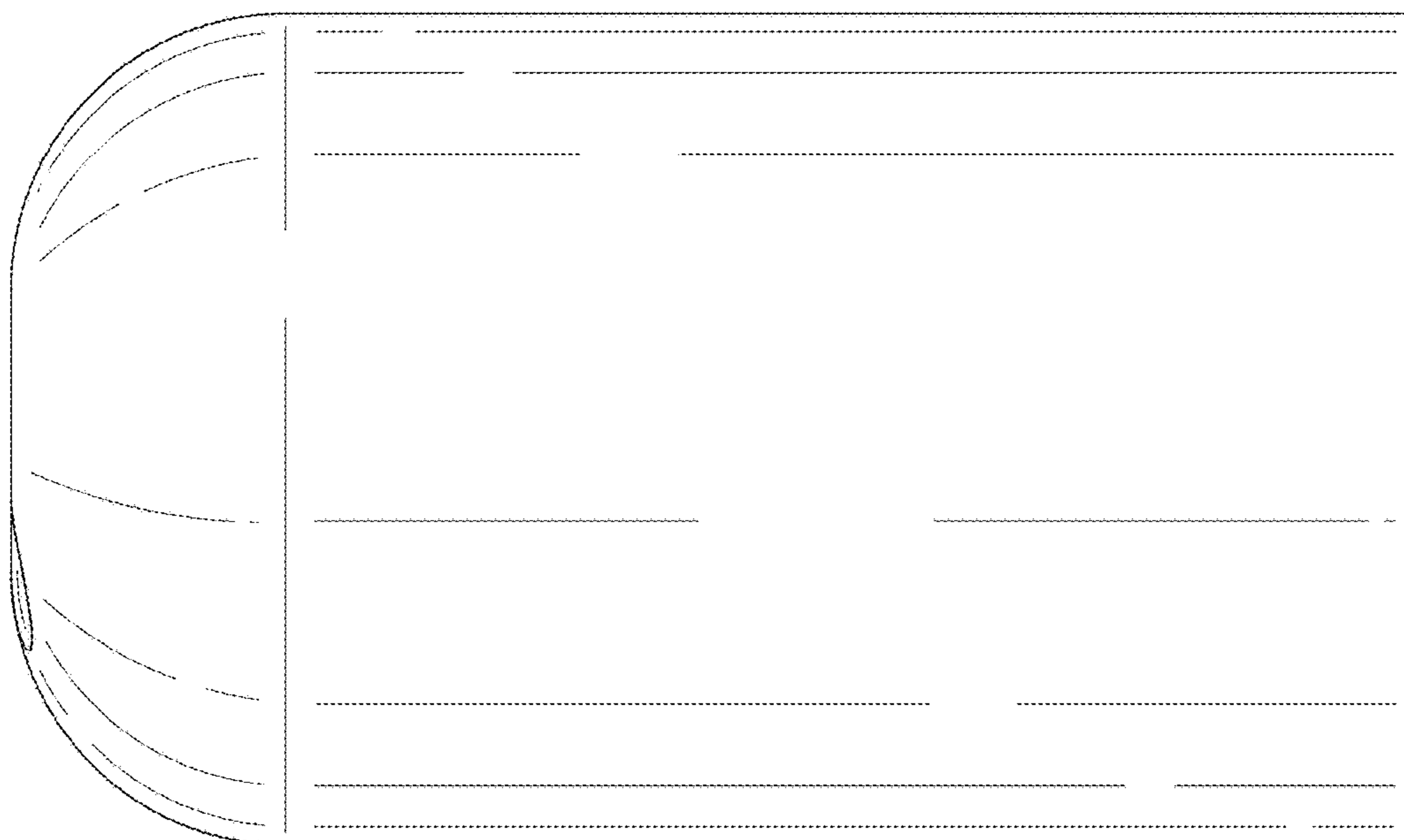


Fig.7

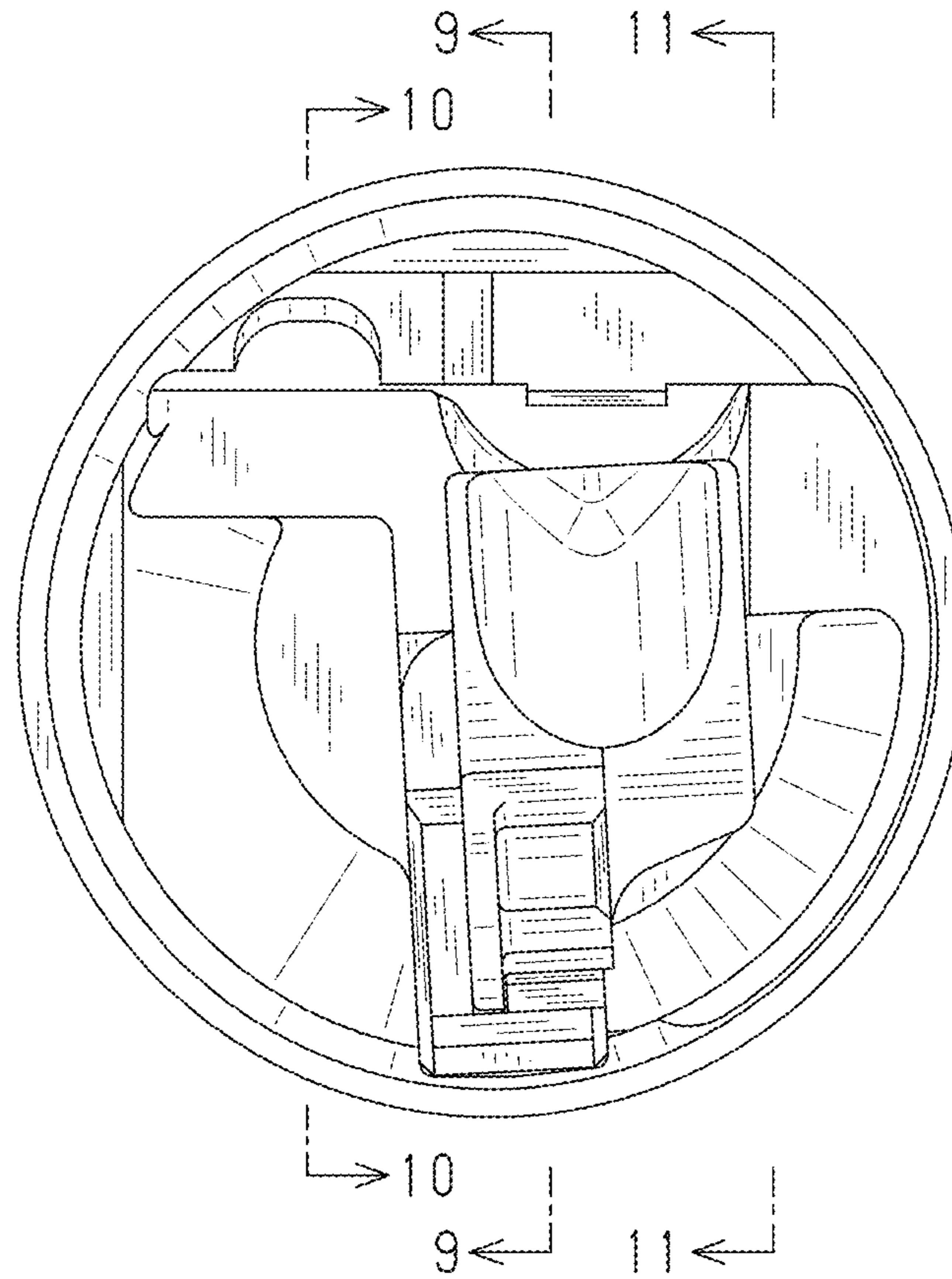


Fig.8

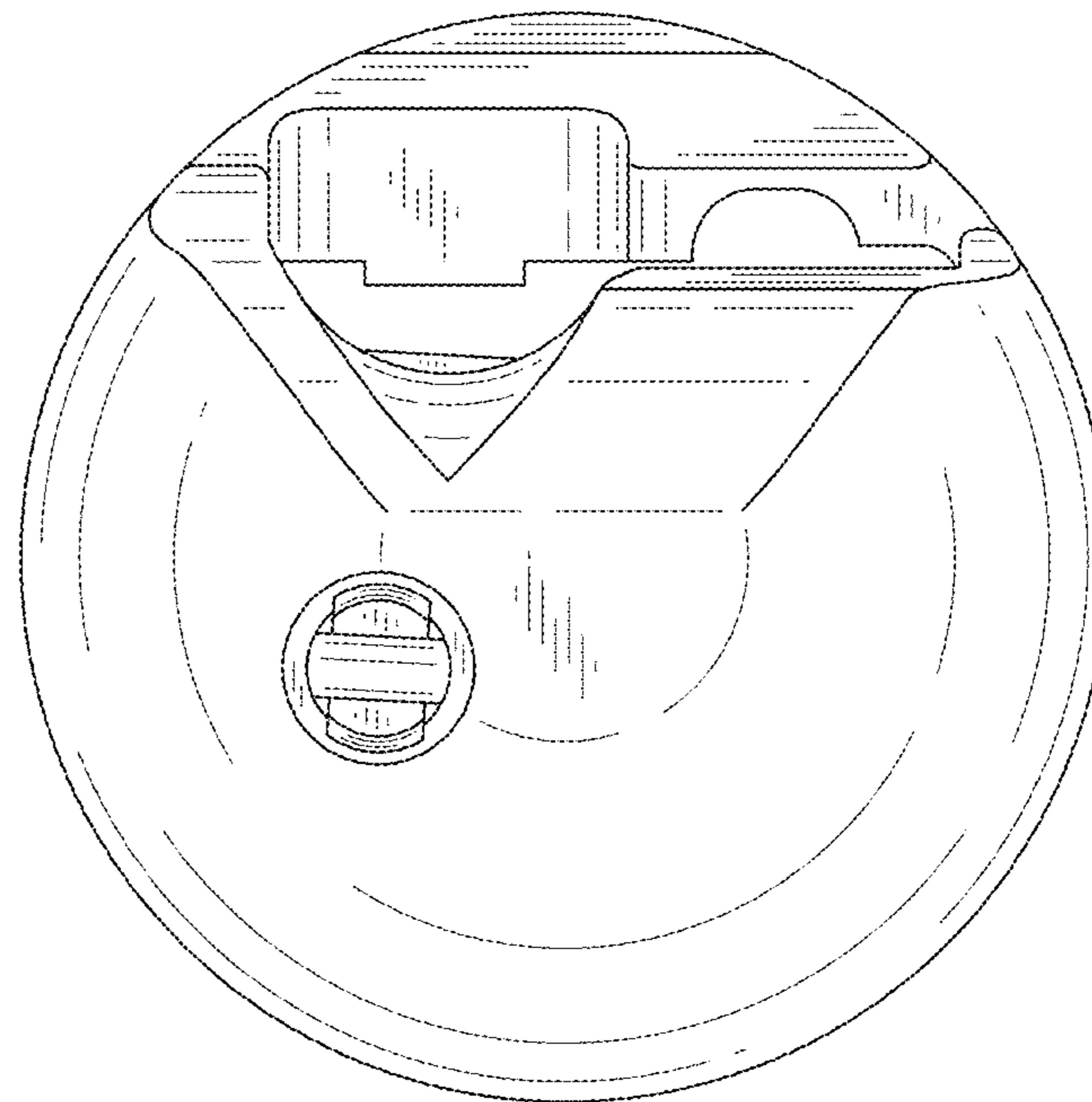


Fig.9

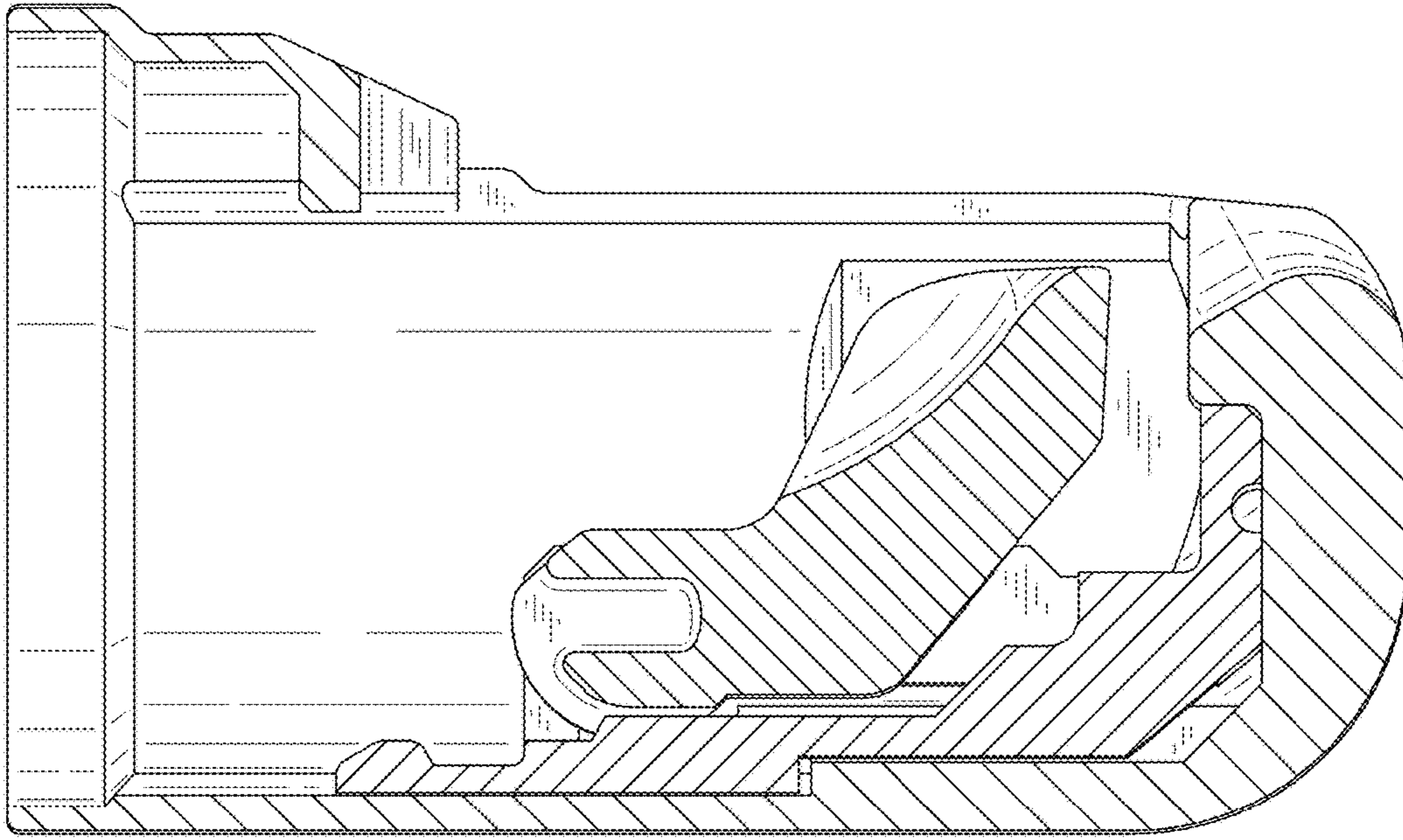


Fig.10

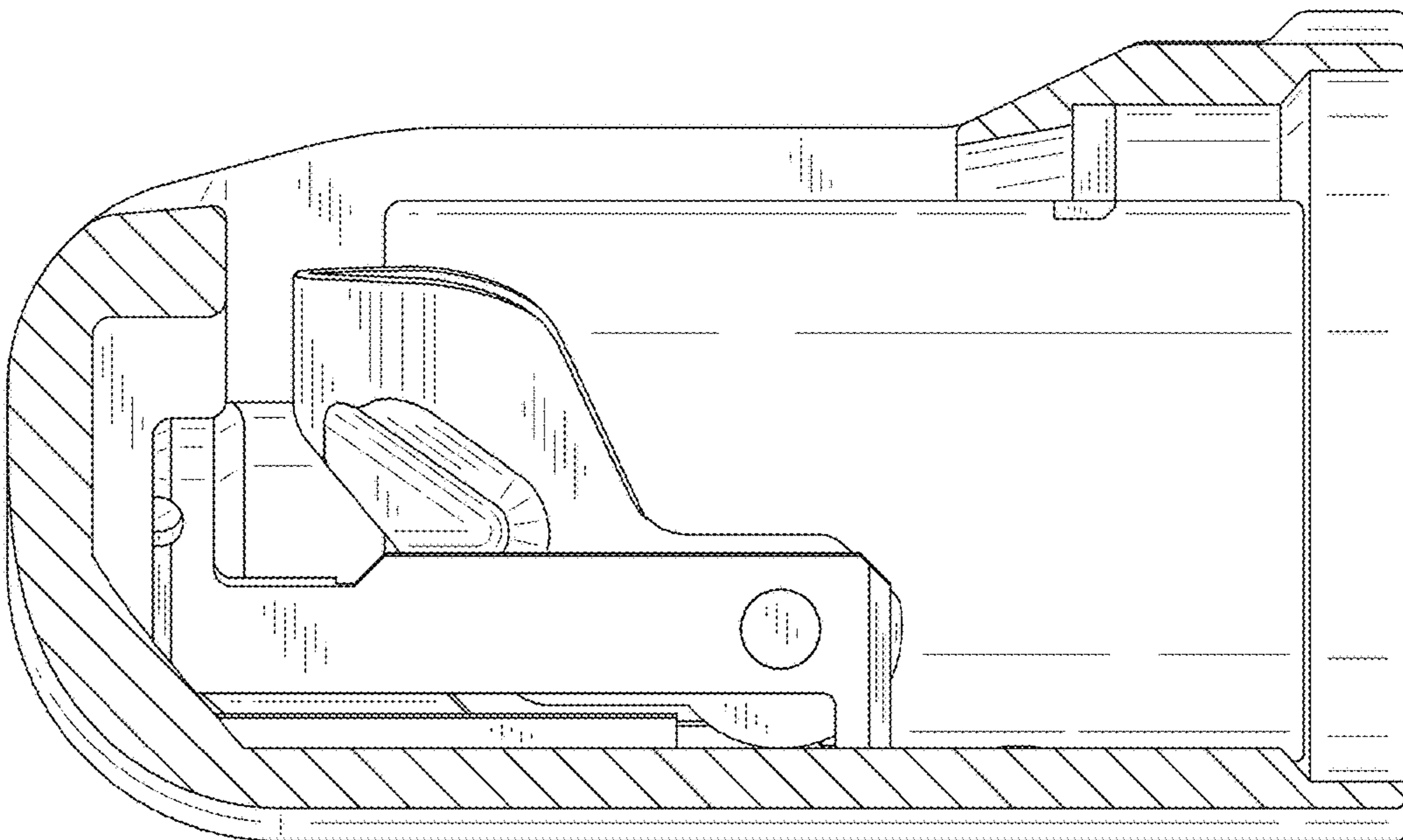


Fig.11

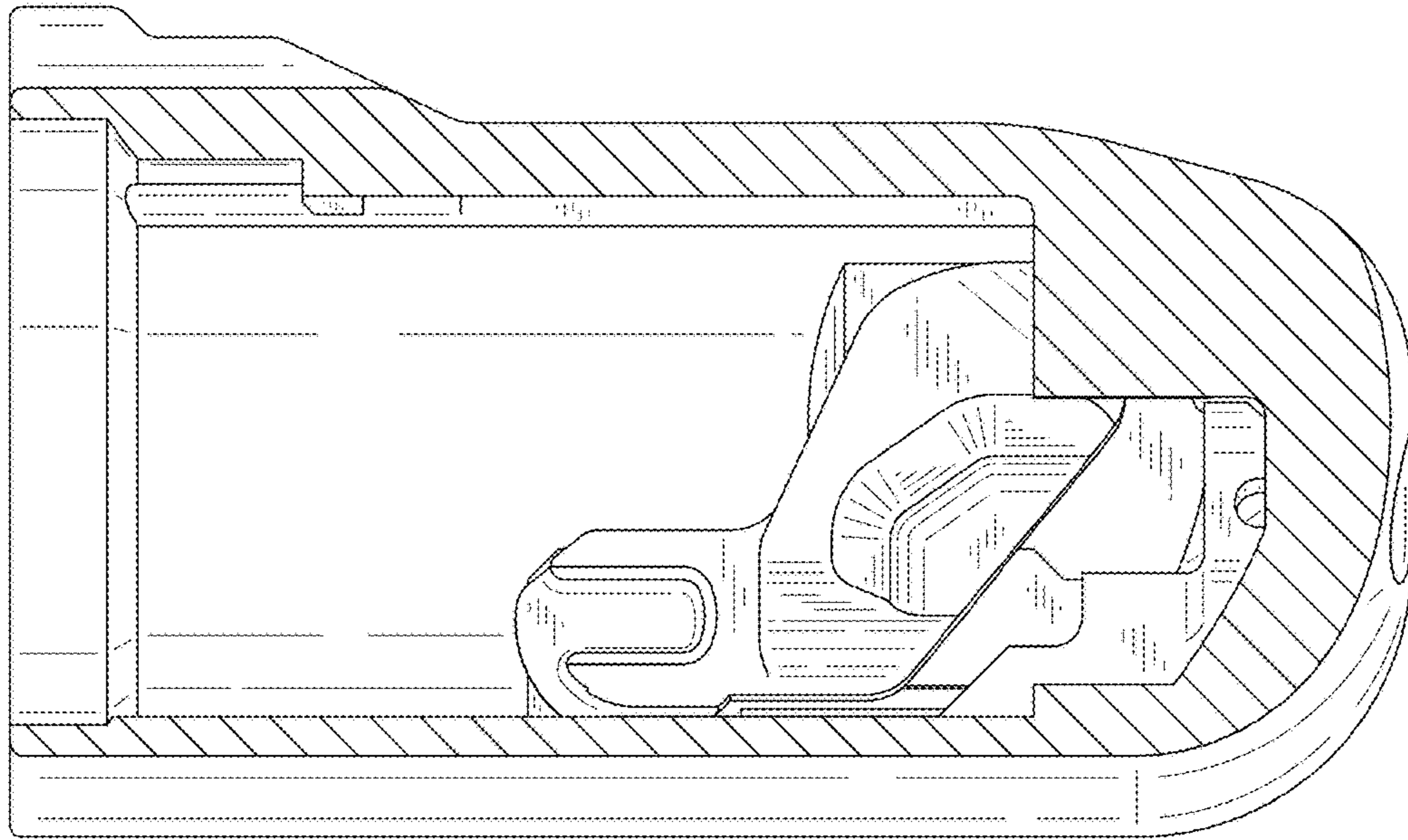


Fig.12

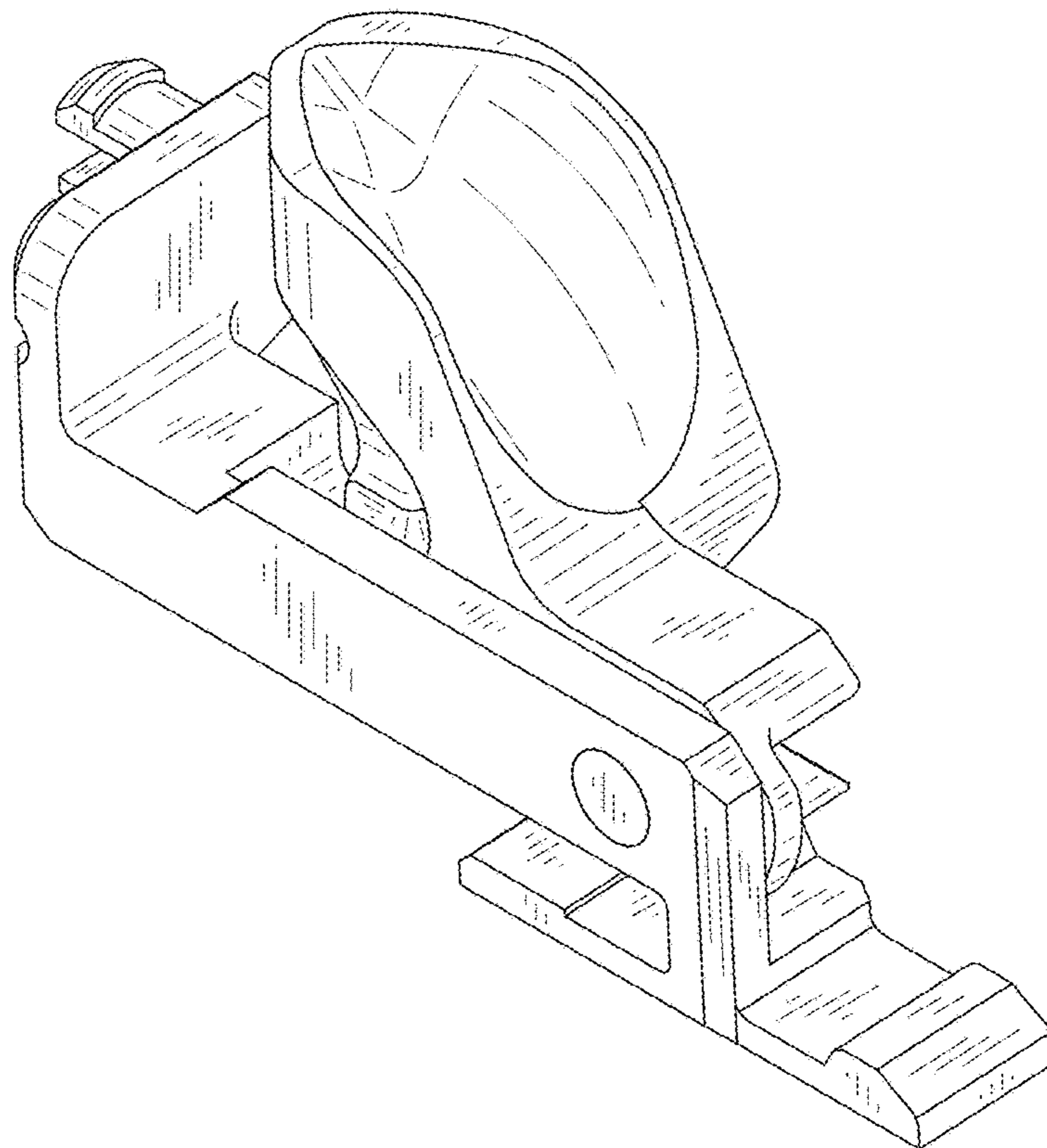


Fig.13

