



US00D822824S

(12) **United States Design Patent**
Dugan

(10) **Patent No.:** **US D822,824 S**

(45) **Date of Patent:** **** Jul. 10, 2018**

(54) **SENSOR PORT**

(71) Applicant: **Vyaire Medical Capital LLC**,
Bloomington, MN (US)

(72) Inventor: **Greg J. Dugan**, Corona, CA (US)

(73) Assignee: **VYAIRE MEDICAL CAPITAL LLC**,
Mettawa, IL (US)

(**) Term: **15 Years**

(21) Appl. No.: **29/582,280**

(22) Filed: **Oct. 26, 2016**

(51) **LOC (11) Cl.** **24-02**

(52) **U.S. Cl.**
USPC **D24/110**

(58) **Field of Classification Search**
USPC D10/46; D23/233, 247, 262; D24/110,
D24/110.6
CPC .. A61M 16/20; A61M 16/201; A61M 16/202;
A61M 16/203; A61M 16/204; A61M
16/205; A61M 16/206; A61M 16/207;
A61M 16/208; A61M 16/2096; A61M
16/22

See application file for complete search history.

(56) **References Cited**

U.S. PATENT DOCUMENTS

D777,300 S * 1/2017 Grant D23/262
D805,629 S * 12/2017 Fiorenza D24/110

* cited by examiner

Primary Examiner — Antoine Duval Davis

(74) *Attorney, Agent, or Firm* — McDermott Will &
Emery LLP

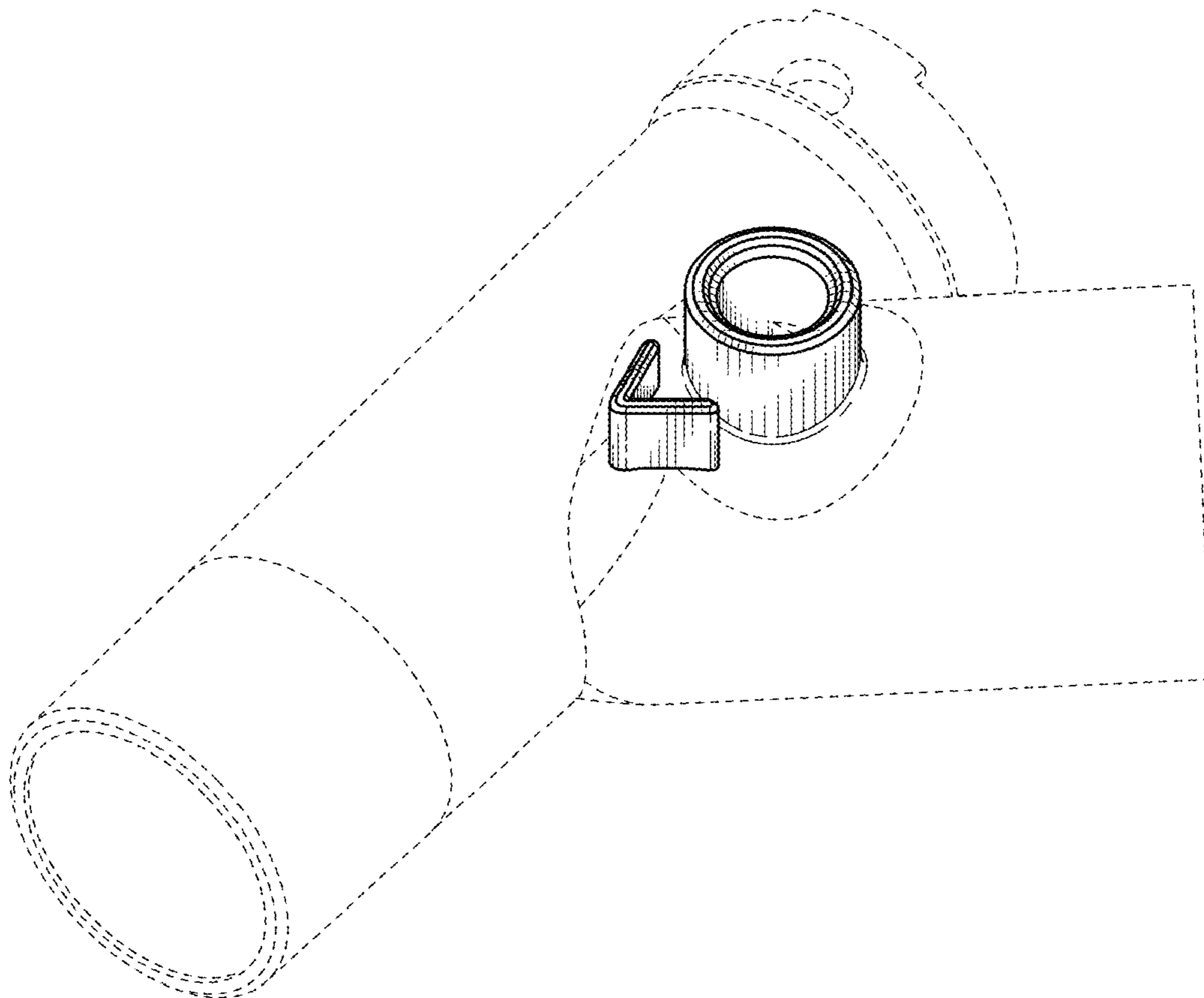
(57) **CLAIM**

The ornamental design for a sensor port, as shown and
described.

DESCRIPTION

FIG. 1 is a front, top perspective view of a sensor port
showing our design;
FIG. 2 is a left side elevation view thereof;
FIG. 3 is a right side elevation view thereof;
FIG. 4 is a front elevation view thereof;
FIG. 5 is a rear elevation view thereof;
FIG. 6 is a top plan view thereof; and,
FIG. 7 is a bottom plan view thereof.
In the drawings, the broken lines form no part of the claimed
design.

1 Claim, 4 Drawing Sheets



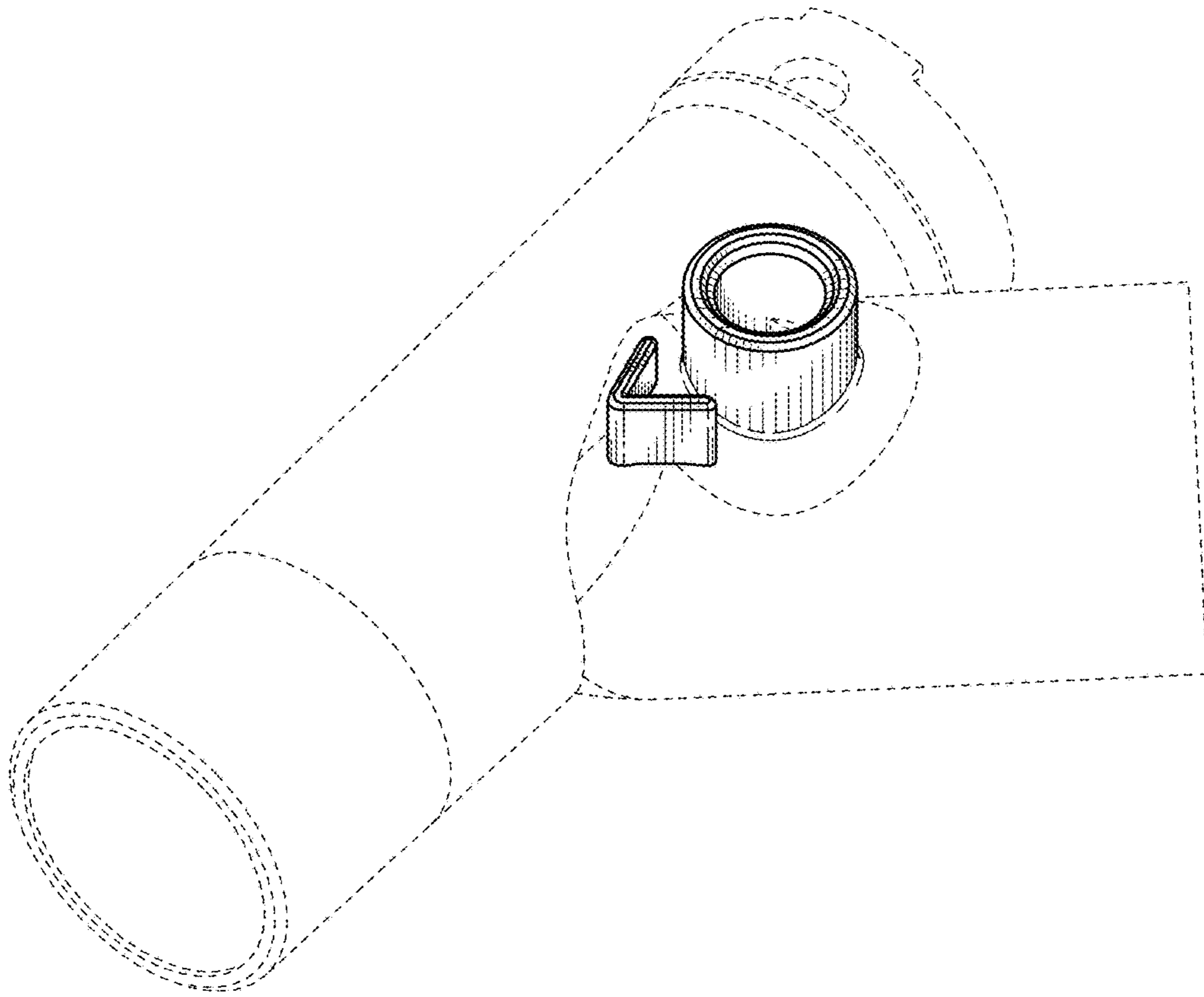


FIG. 1

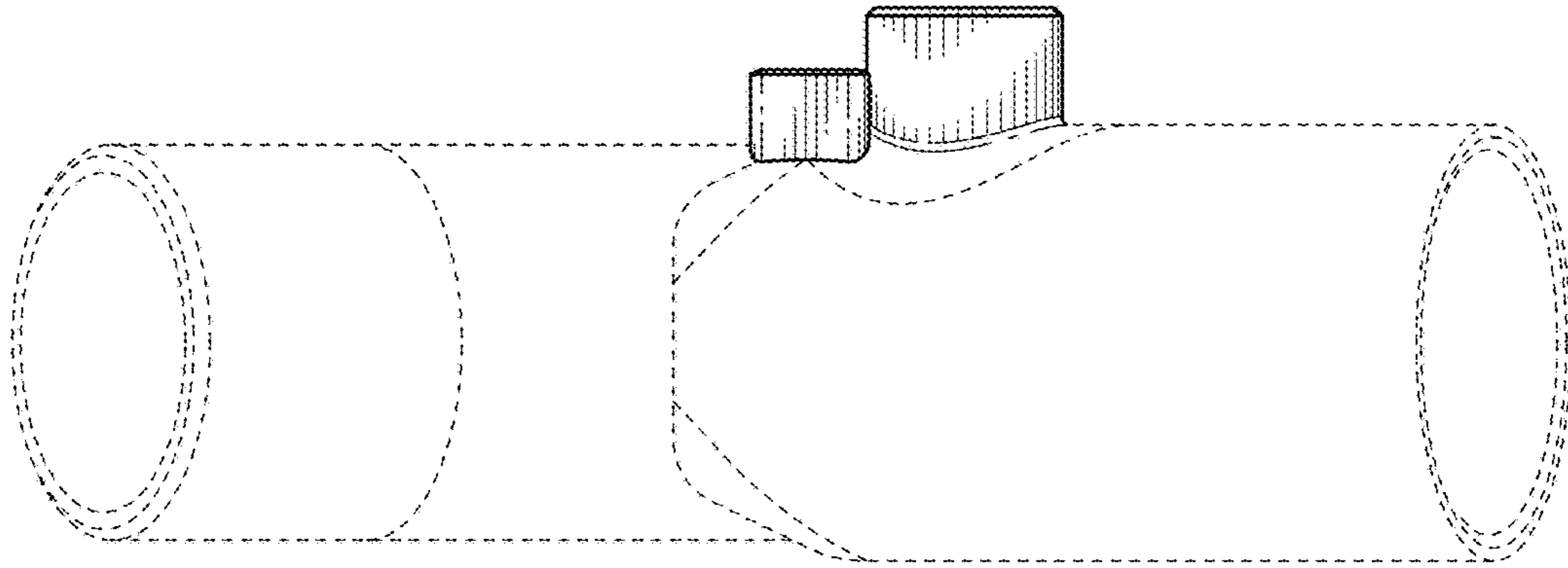


FIG. 2

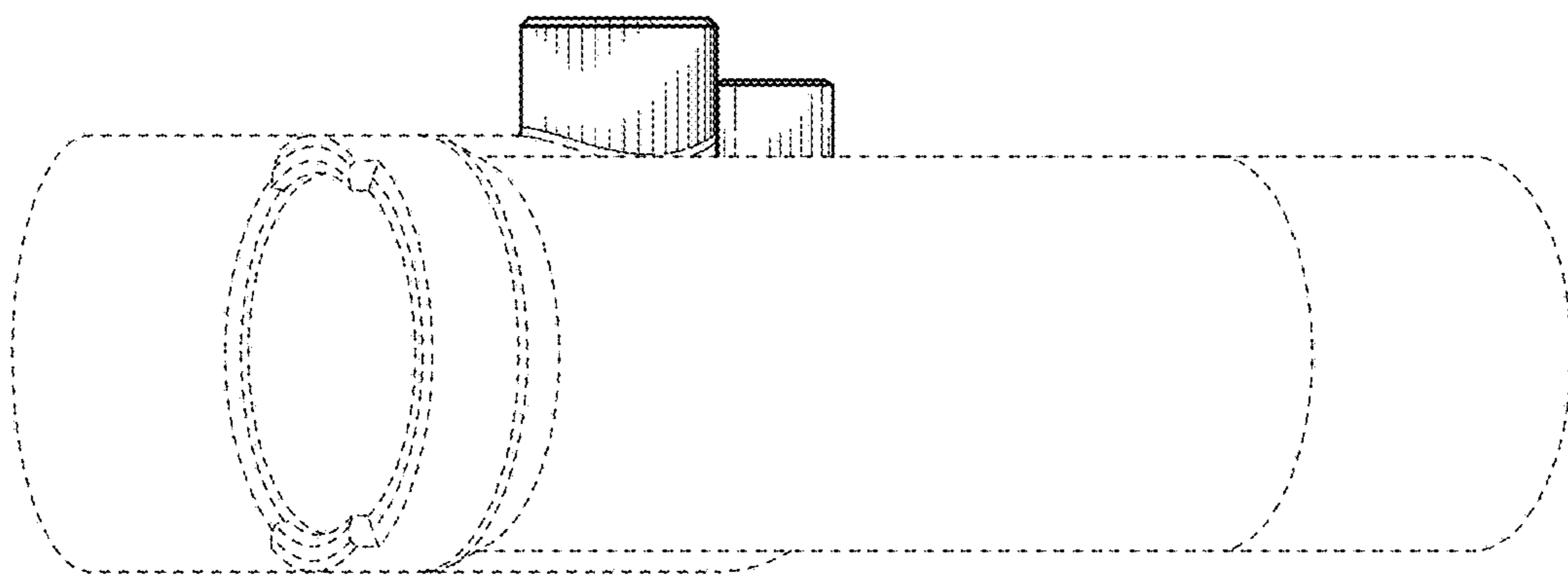


FIG. 3

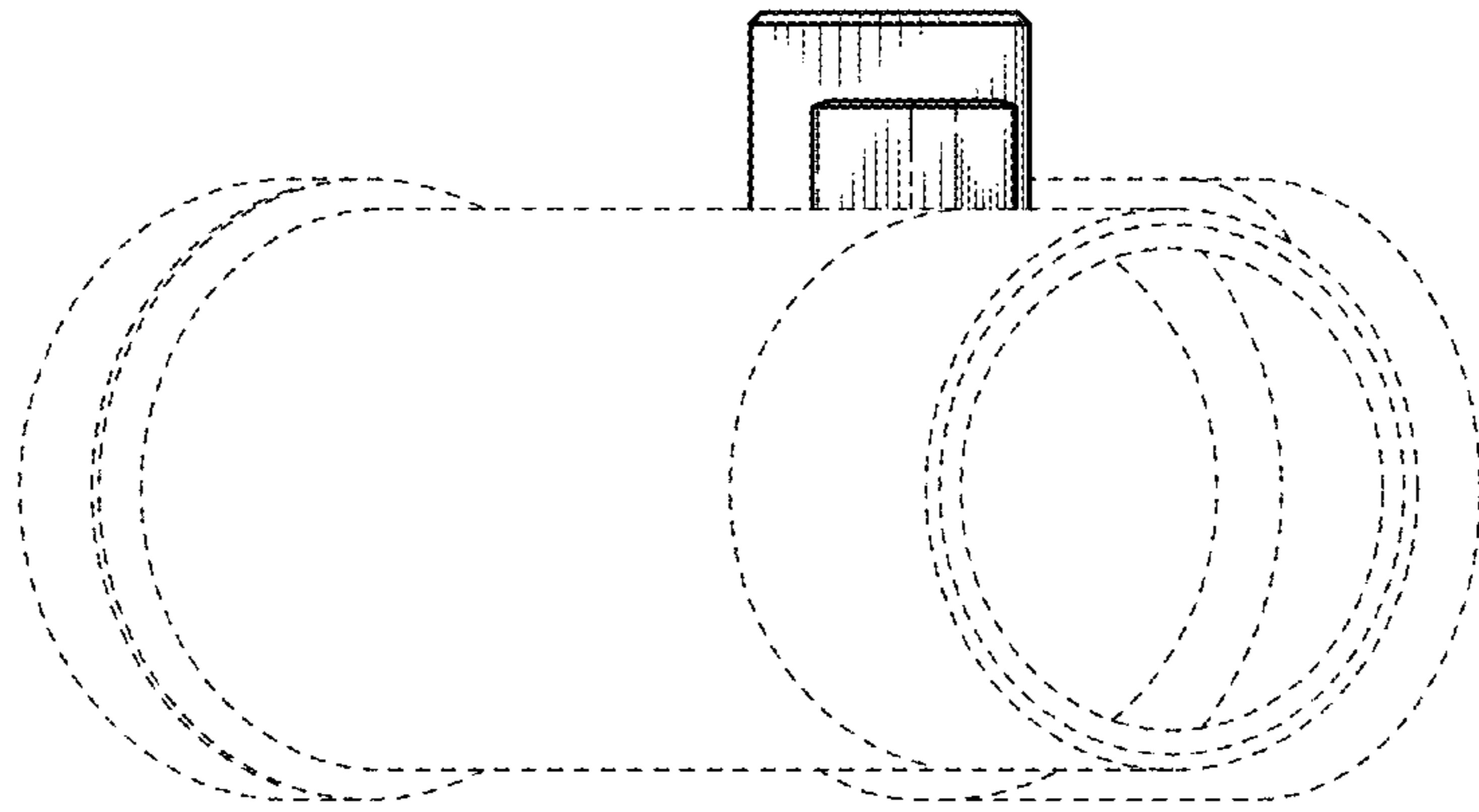


FIG. 4

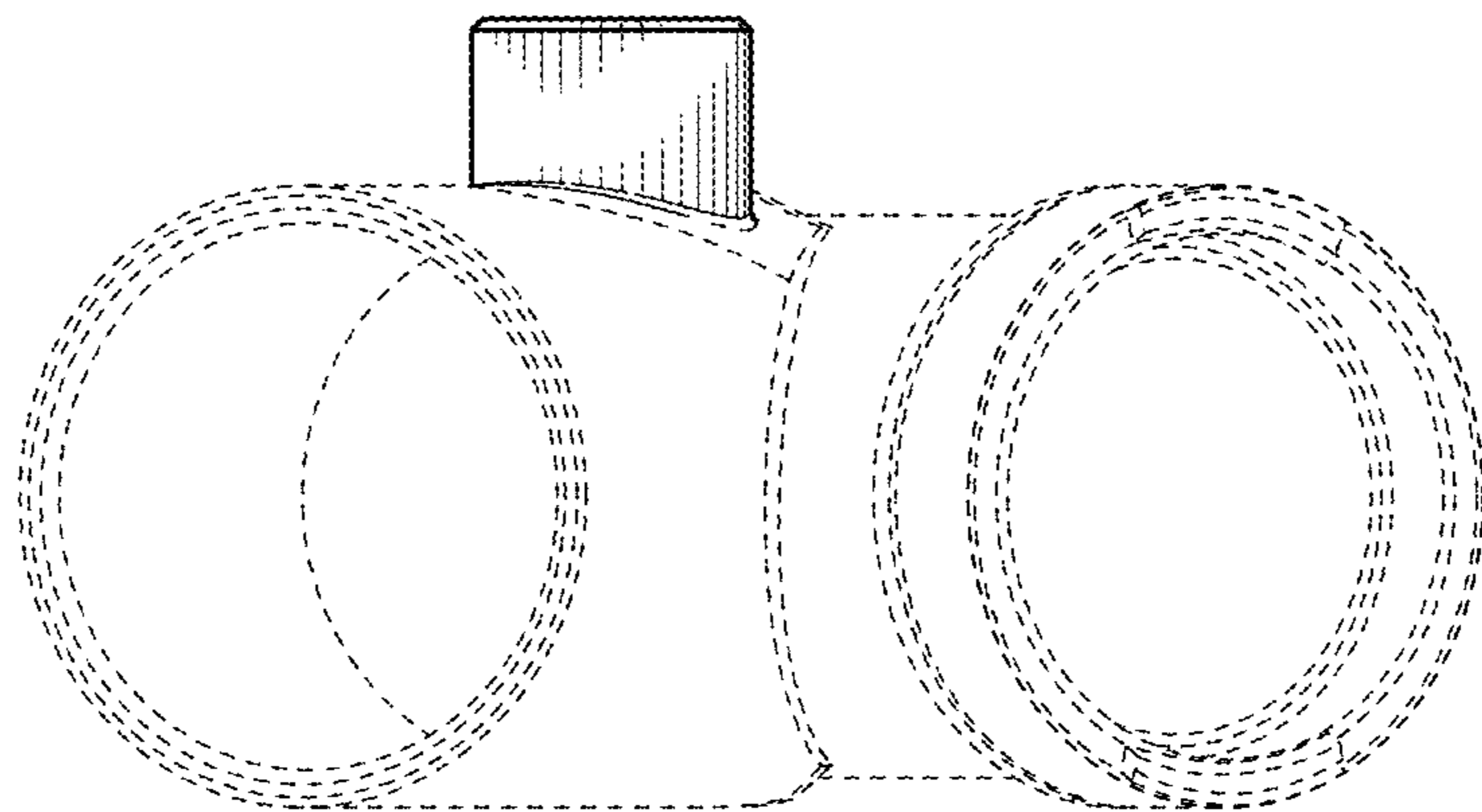


FIG. 5

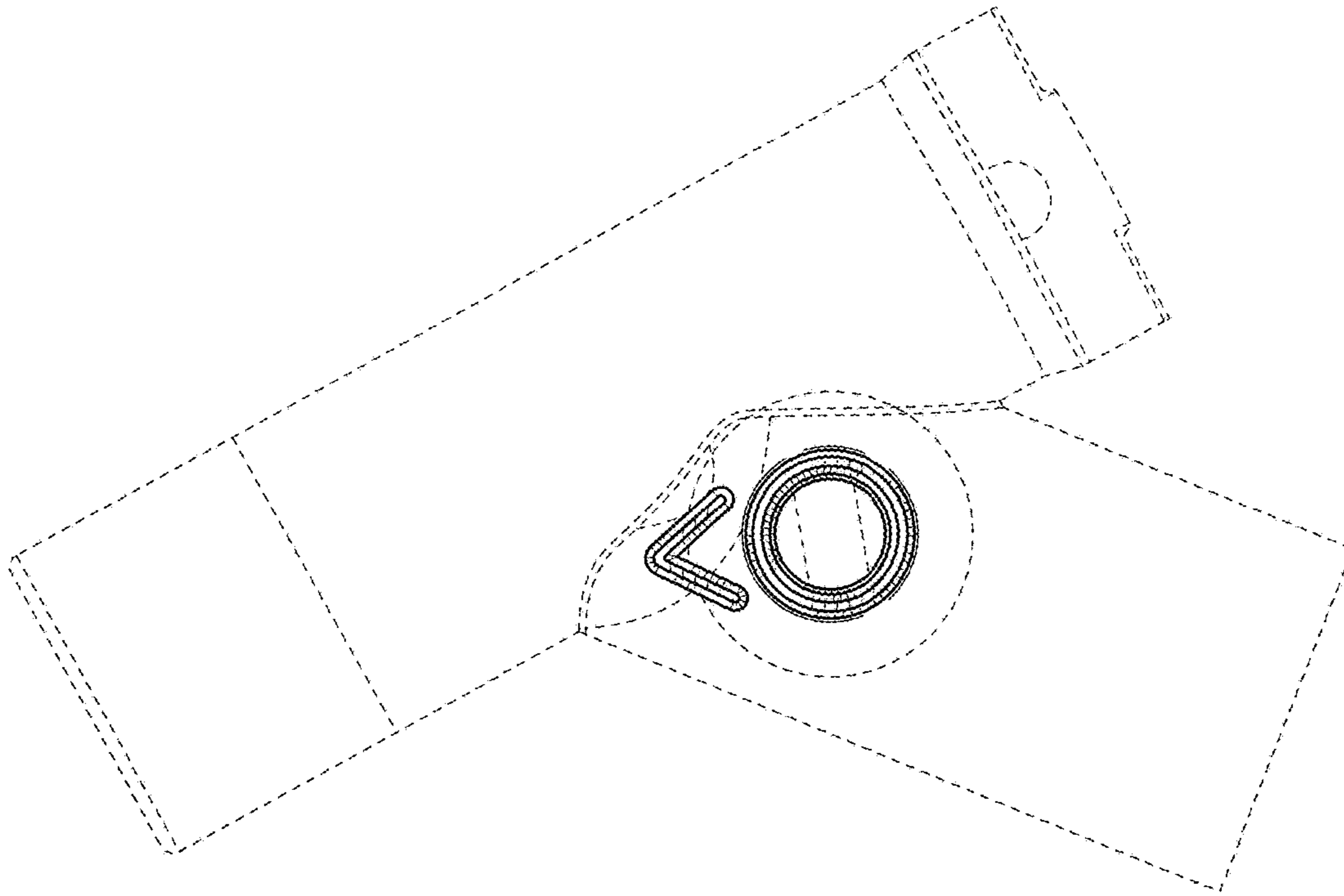


FIG. 6

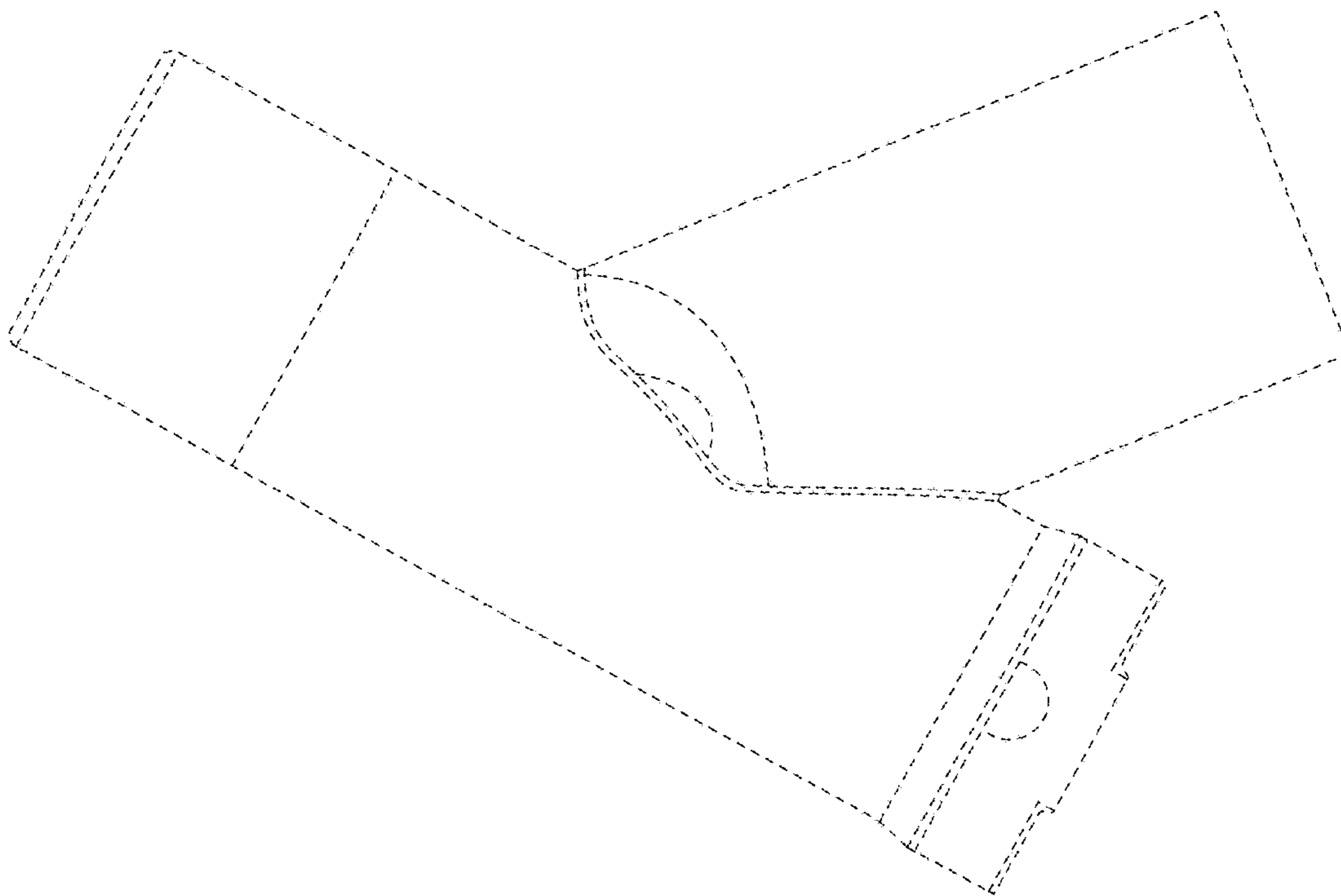


FIG. 7