



US00D822819S

(12) **United States Design Patent** (10) **Patent No.:** **US D822,819 S**
Li (45) **Date of Patent:** **** Jul. 10, 2018**

(54) **AROMA DIFFUSER**
(71) Applicant: **Puzhen Life Co., Limited**, Hong Kong (HK)
(72) Inventor: **Dong Sheng Li**, Hong Kong (HK)
(73) Assignee: **Puzhen Life Co., Limited**, Hong Kong (HK)
(**) Term: **15 Years**

(21) Appl. No.: **29/599,103**
(22) Filed: **Mar. 31, 2017**

(30) **Foreign Application Priority Data**
Oct. 4, 2016 (HK) 1601879.2M005
(51) **LOC (11) Cl.** **23-04**
(52) **U.S. Cl.**
USPC **D23/366**
(58) **Field of Classification Search**
USPC D23/208, 355-369; D9/500, 503-505
See application file for complete search history.

(56) **References Cited**
U.S. PATENT DOCUMENTS
D110,981 S * 8/1938 Robinson D23/362
D117,150 S * 10/1939 Robinson D23/362
D179,194 S * 11/1956 Flury D23/362
D197,919 S * 4/1964 Runyon D9/500

D221,794 S * 9/1971 Appel et al. D7/597
D272,223 S * 1/1984 Daenen D7/629
D446,747 S * 8/2001 Hutton D11/146
D460,168 S * 7/2002 Chen D23/364
D473,460 S * 4/2003 Whitworth D9/504
D615,866 S * 5/2010 Lepoitevin D9/504
D621,494 S * 8/2010 Li D23/366
D671,004 S * 11/2012 Kelly B05B 11/0037
D9/500
D713,517 S * 9/2014 Dodge D23/366
D713,518 S * 9/2014 Carbone D23/366

* cited by examiner

Primary Examiner — Sheryl Lane
Assistant Examiner — Calvin E Vansant

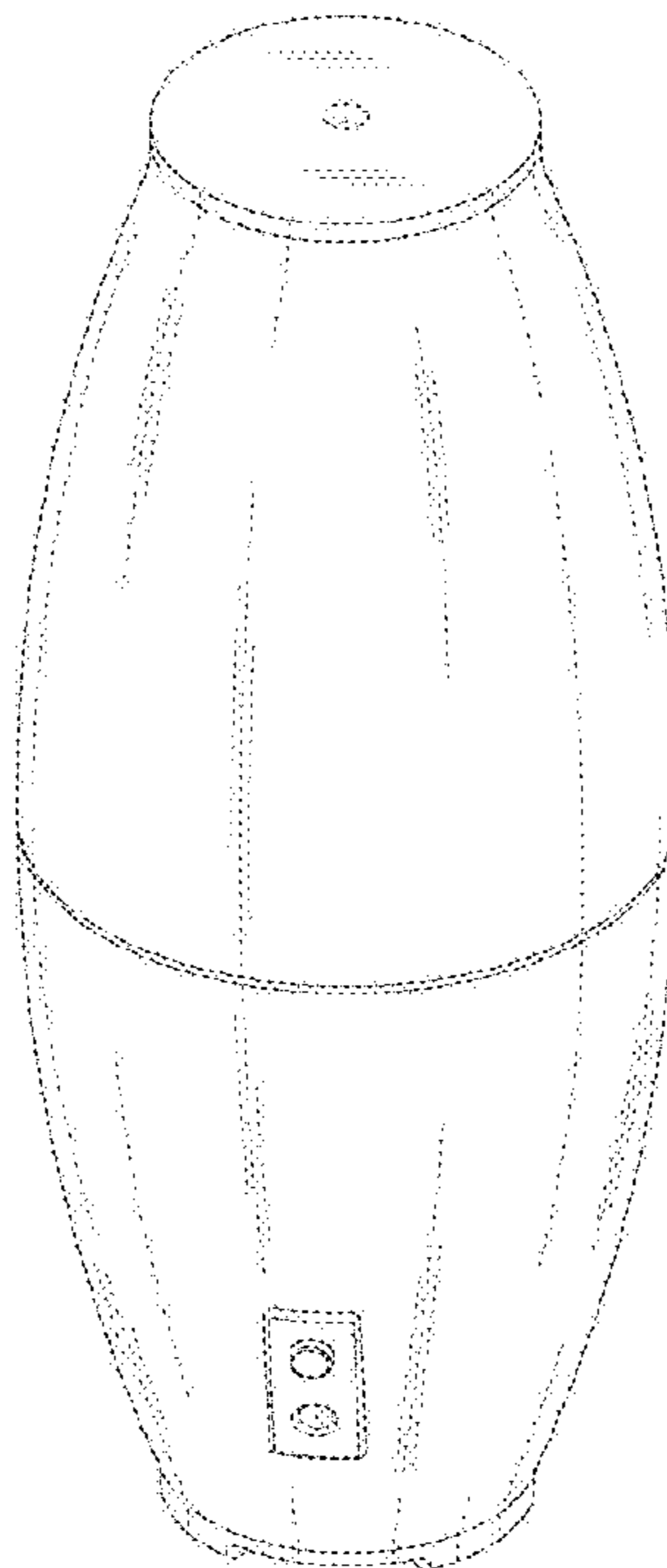
(57) **CLAIM**

The ornamental design for an aroma diffuser, as shown and described.

DESCRIPTION

FIG. 1 is a top plan view of an aroma diffuser showing my new design;
FIG. 2 is a bottom plan view thereof;
FIG. 3 is a front elevational view thereof;
FIG. 4 is a rear elevational view thereof;
FIG. 5 is a left side view thereof;
FIG. 6 is a right side view thereof;
FIG. 7 is a first perspective view thereof; and,
FIG. 8 is a second perspective view thereof.
The broken lines in the drawings illustrate portions of the aroma diffuser which form no part of the claimed design.

1 Claim, 8 Drawing Sheets



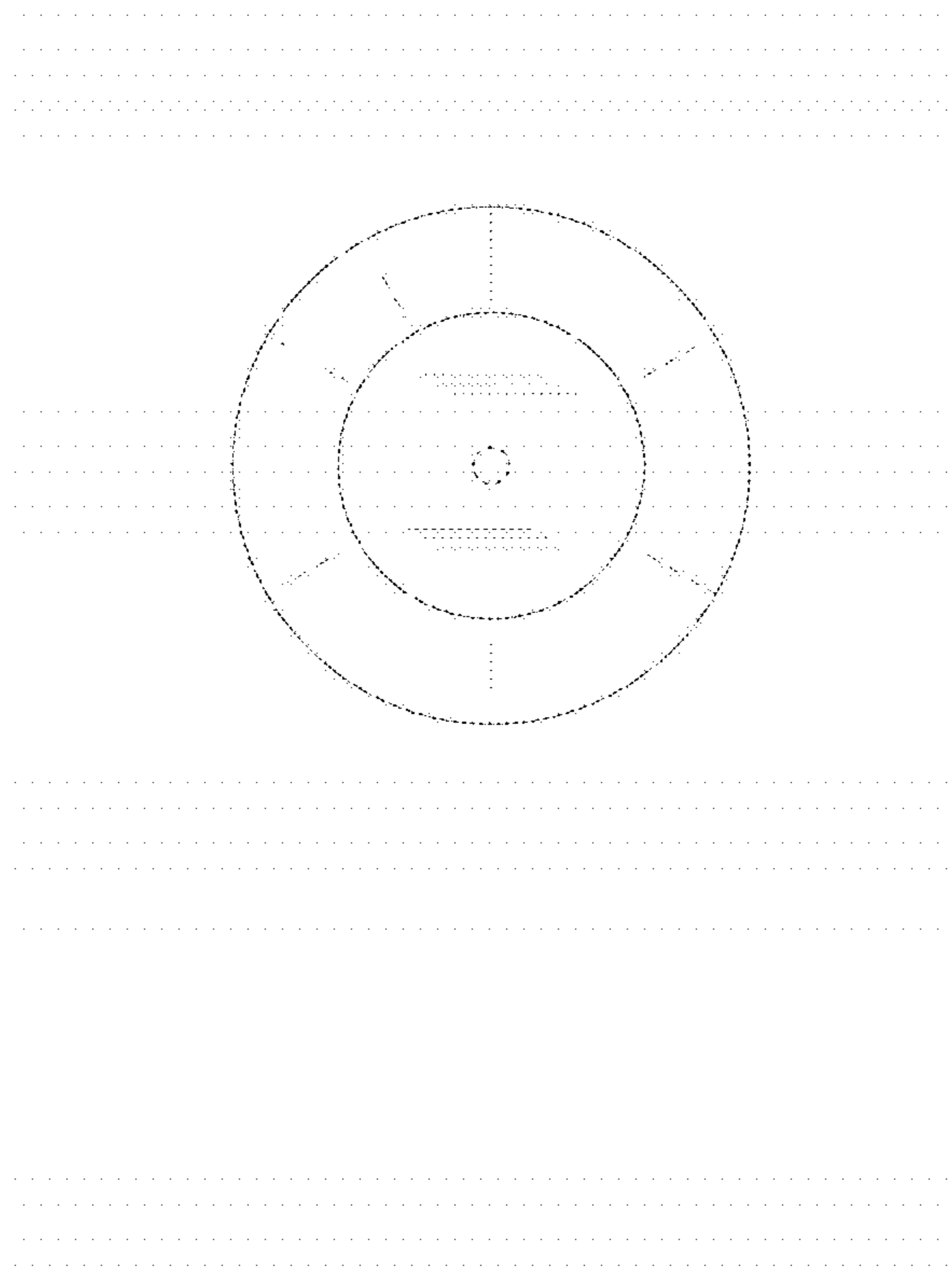


Fig. 1

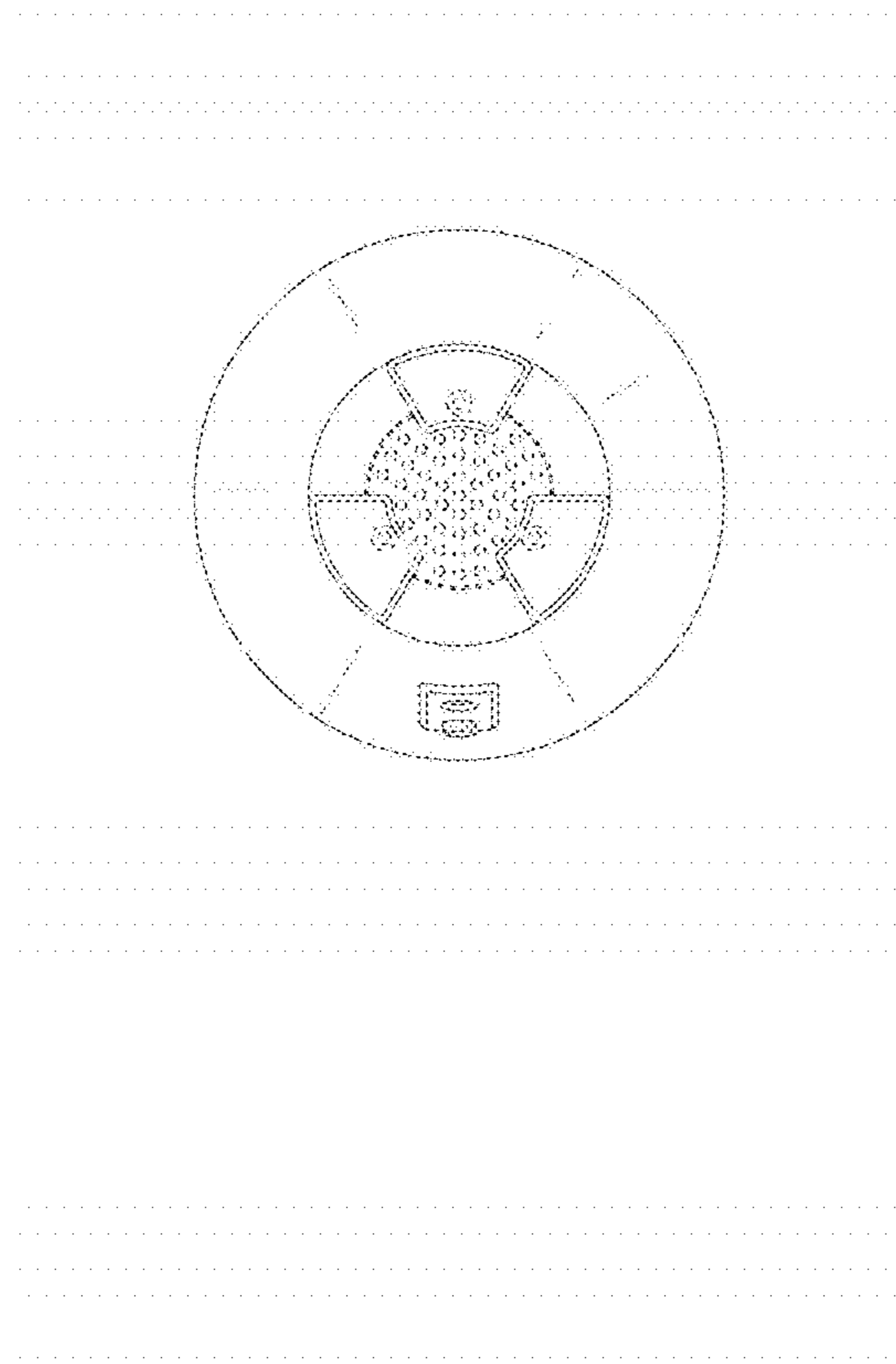


Fig. 2

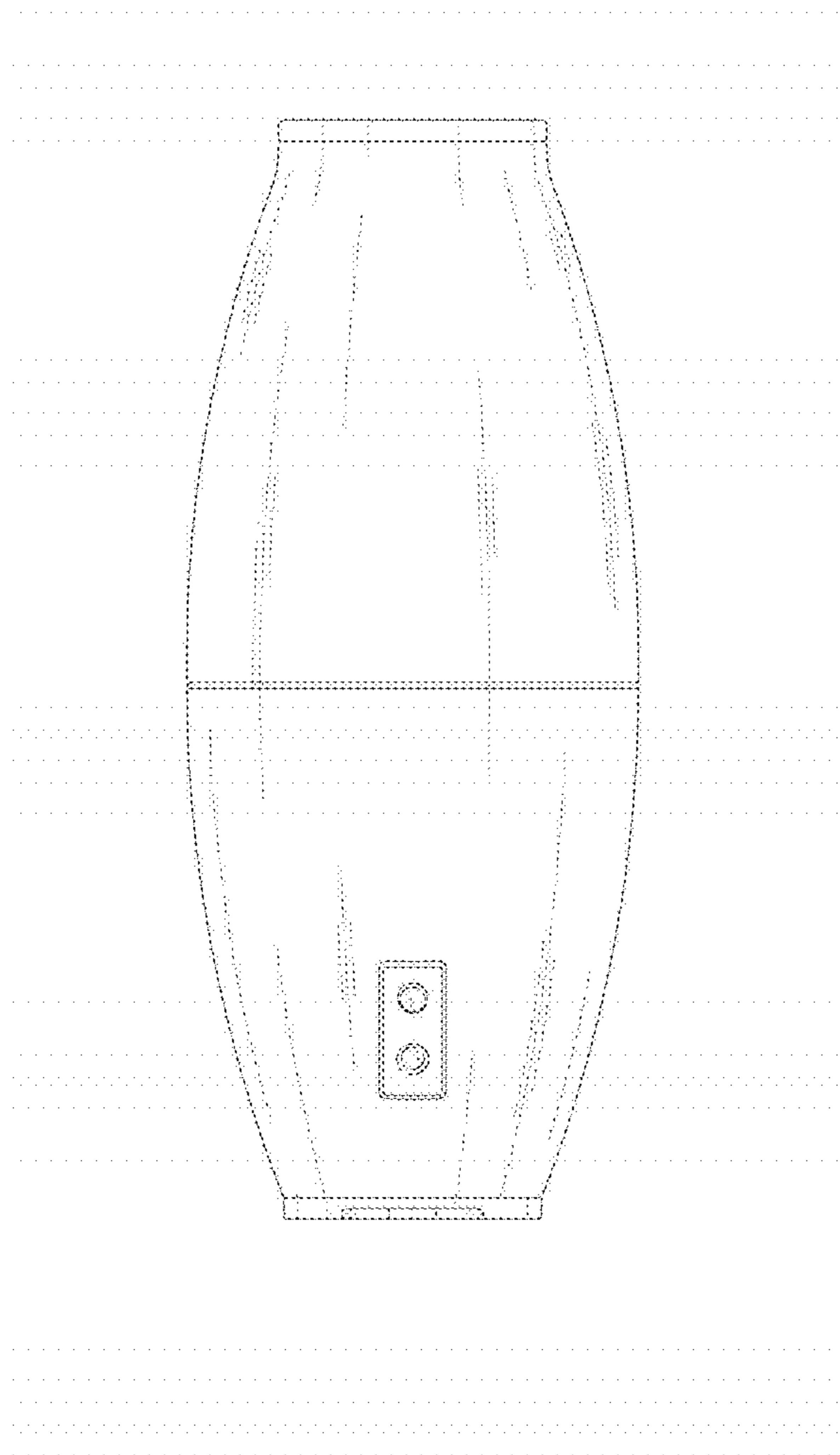


Fig. 3

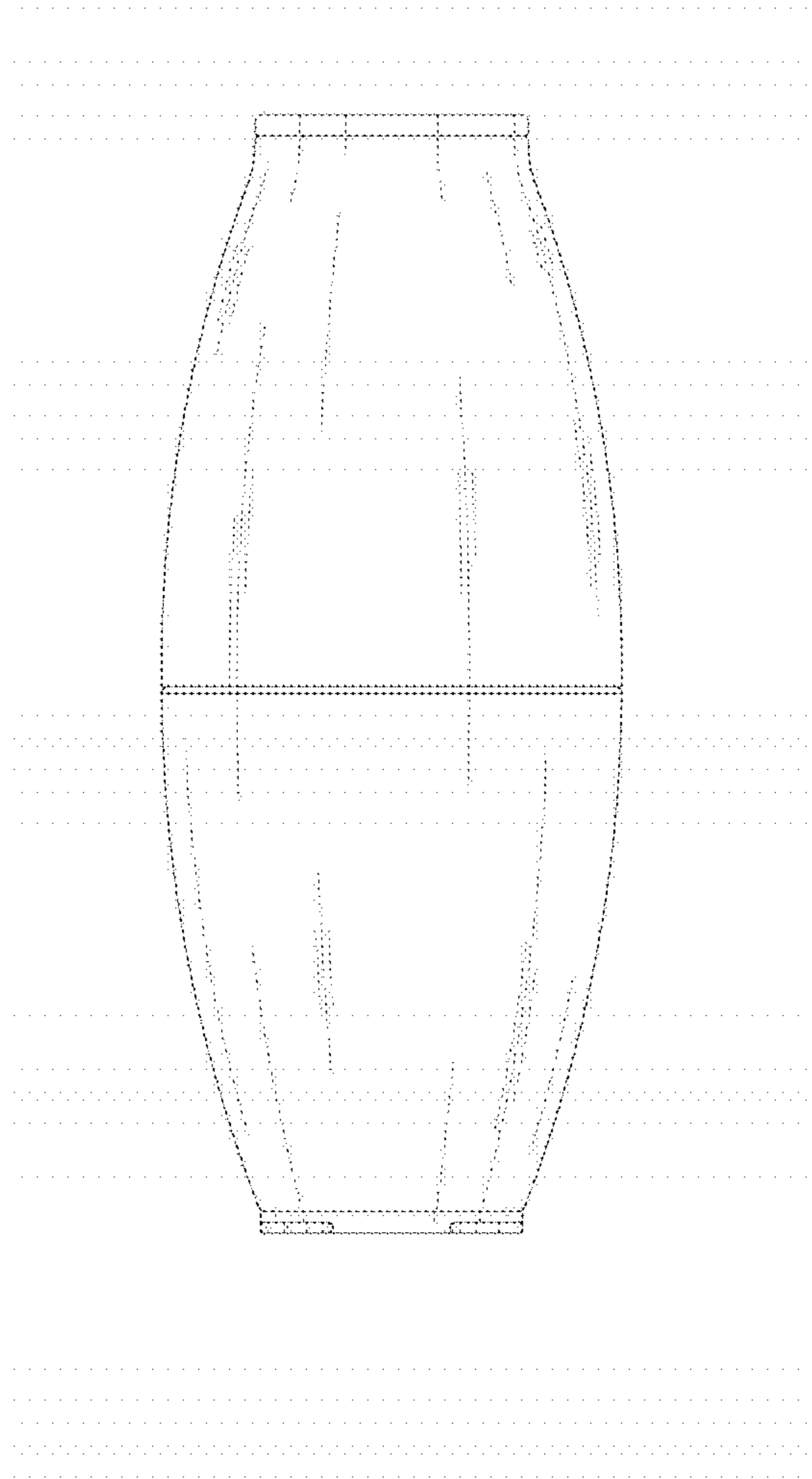


Fig. 4

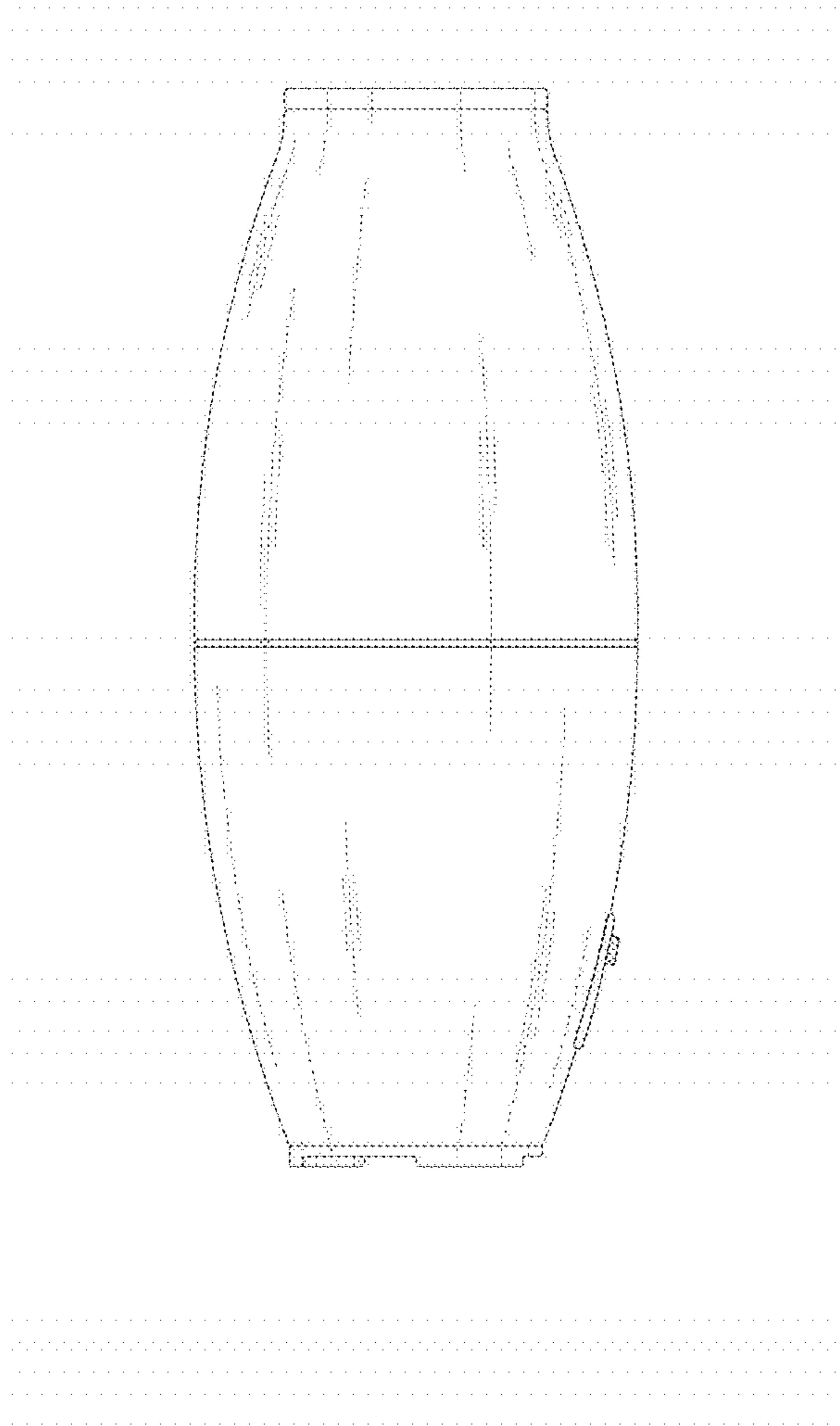


Fig. 5

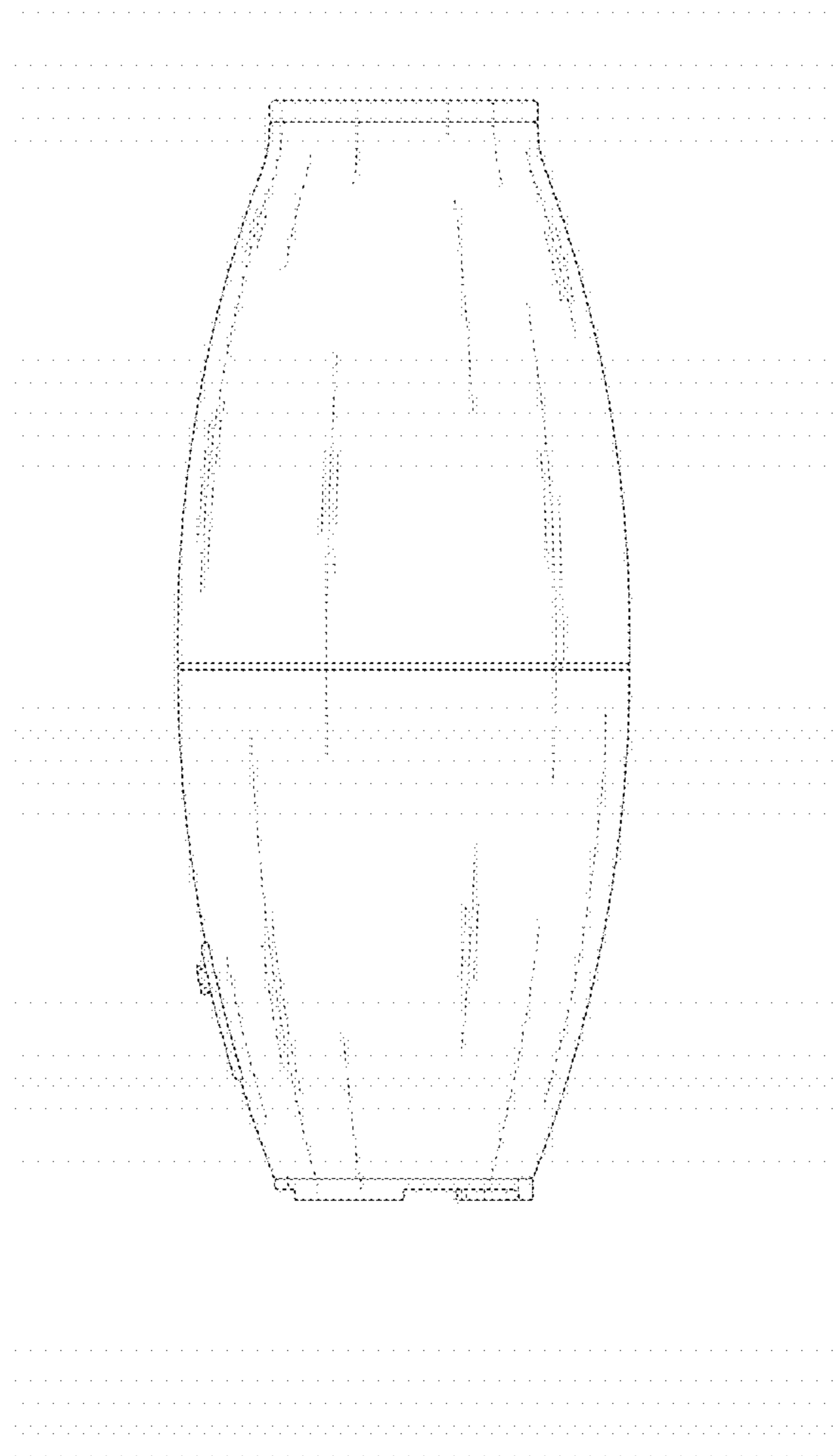


Fig. 6

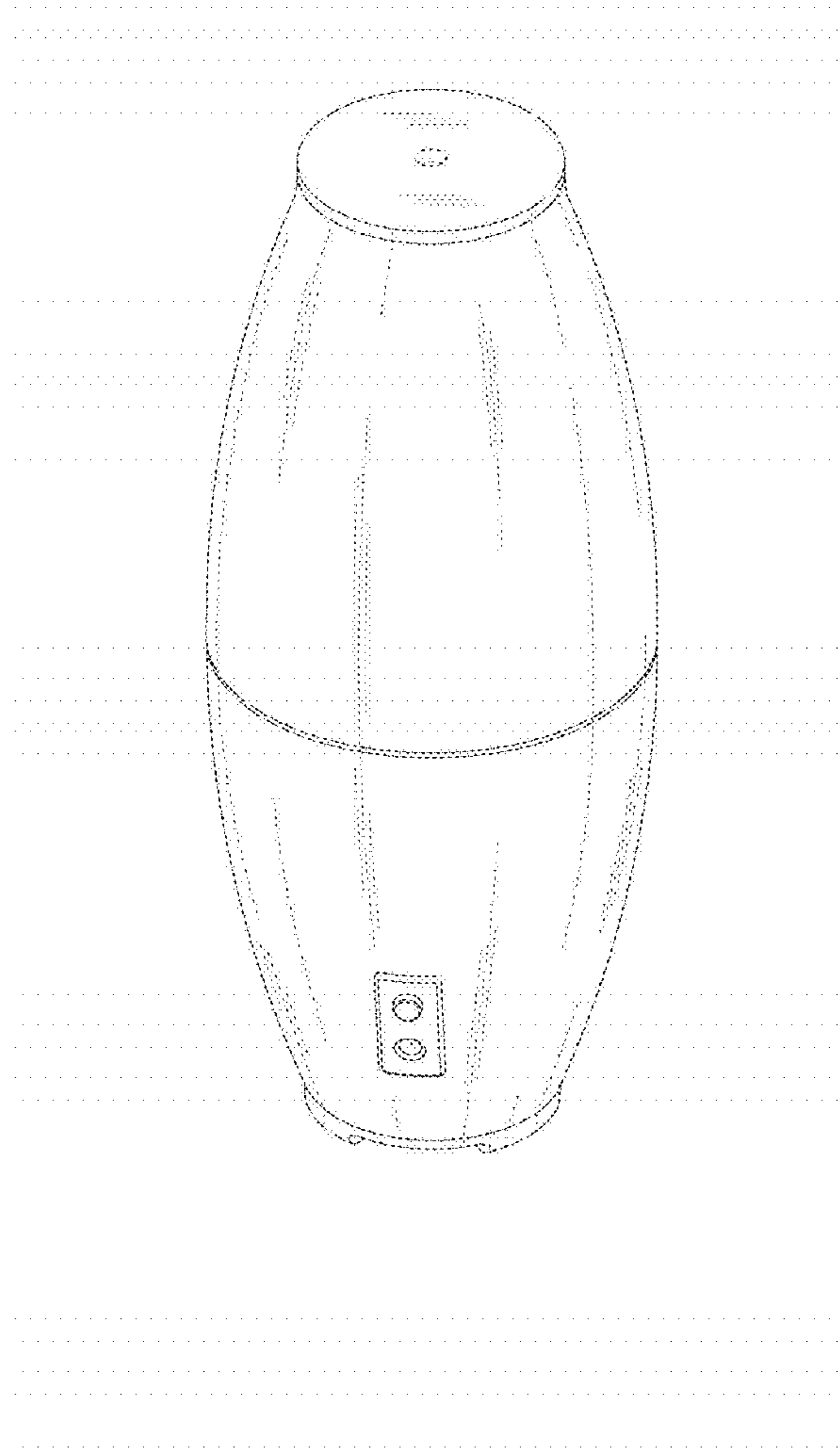


Fig. 7

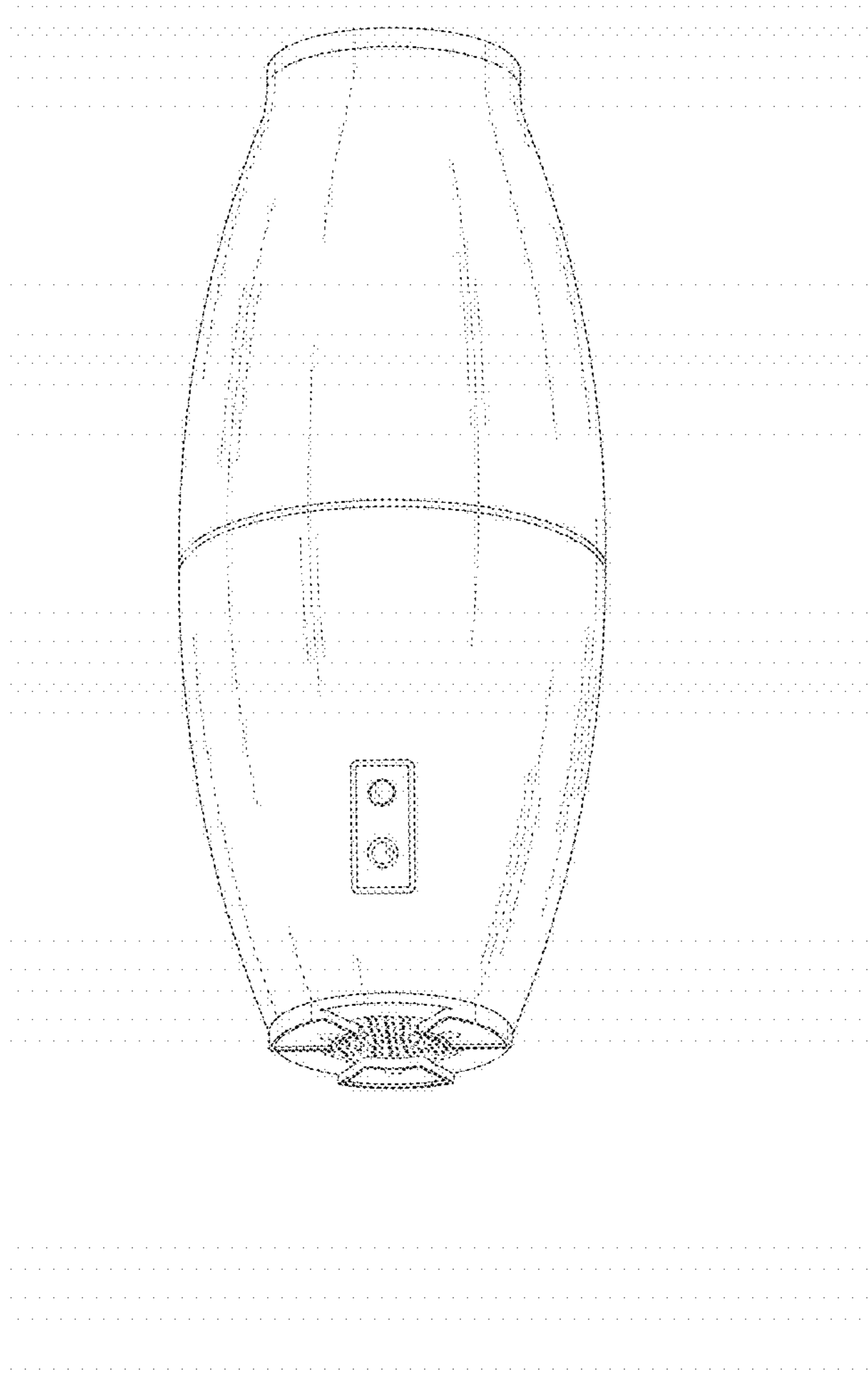


Fig. 8