



US00D822818S

(12) **United States Design Patent** (10) **Patent No.:** **US D822,818 S**  
**Maeckelberghe et al.** (45) **Date of Patent:** **\*\* Jul. 10, 2018**

(54) **CIRCUIT KIT FOR A HUMIDIFIER**

(71) Applicant: **Fisher & Paykel Healthcare Limited**,  
Auckland (NZ)

(72) Inventors: **Thomas Jacques Fernand Maeckelberghe**, Auckland (NZ);  
**Gareth James Hobbs**, Auckland (NZ);  
**Matthew Liam Buswell**, Auckland (NZ);  
**Jason Allan Klenner**, Auckland (NZ);  
**David Leon McCauley**, Auckland (NZ);  
**Elmo Benson Stoks**, Auckland (NZ);  
**Samuel Graham Boggs**, Auckland (NZ);  
**Jonathan Andrew George Lambert**, Auckland (NZ);  
**James William Stanton**, Auckland (NZ)

(73) Assignee: **Fisher & Paykel Healthcare Limited**,  
Auckland (NZ)

(\*\*) Term: **15 Years**

(21) Appl. No.: **29/626,135**

(22) Filed: **Nov. 15, 2017**

**Related U.S. Application Data**

(62) Division of application No. 29/625,933, filed on Nov. 14, 2017, which is a division of application No. (Continued)

(51) **LOC (11) Cl.** ..... **23-04**

(52) **U.S. Cl.**  
USPC ..... **D23/358**

(58) **Field of Classification Search**  
USPC ..... D23/364, 359, 358, 333, 355; D24/110, D24/129

(Continued)

(56) **References Cited**

**U.S. PATENT DOCUMENTS**

D302,040 S 7/1989 Lambert  
5,069,635 A \* 12/1991 Holden ..... A47L 9/246  
29/857

(Continued)

**OTHER PUBLICATIONS**

U.S. Appl. No. 29/540,276, filed Sep. 22, 2015, Maeckelberghe, et al.

(Continued)

*Primary Examiner* — Kevin K Rudzinski  
(74) *Attorney, Agent, or Firm* — Knobbe Martens Olson & Bear, LLP

(57) **CLAIM**

The ornamental design for a circuit kit for a humidifier, as shown and described.

**DESCRIPTION**

FIG. 1 is a top, rear and side perspective view of a first embodiment of a circuit kit for a humidifier showing a tubing assembly embodying our new design;  
 FIG. 2 is a rear view thereof;  
 FIG. 3 is a front view thereof;  
 FIG. 4 is a first side view thereof, the second side being a mirror image thereof;  
 FIG. 5 is a top view thereof; and  
 FIG. 6 is a bottom view thereof.  
 FIG. 7 is a top, rear and side perspective view of a second embodiment of a circuit kit for a humidifier showing a tubing assembly embodying our new design;  
 FIG. 8 is a rear view thereof;  
 FIG. 9 is a front view thereof;

(Continued)

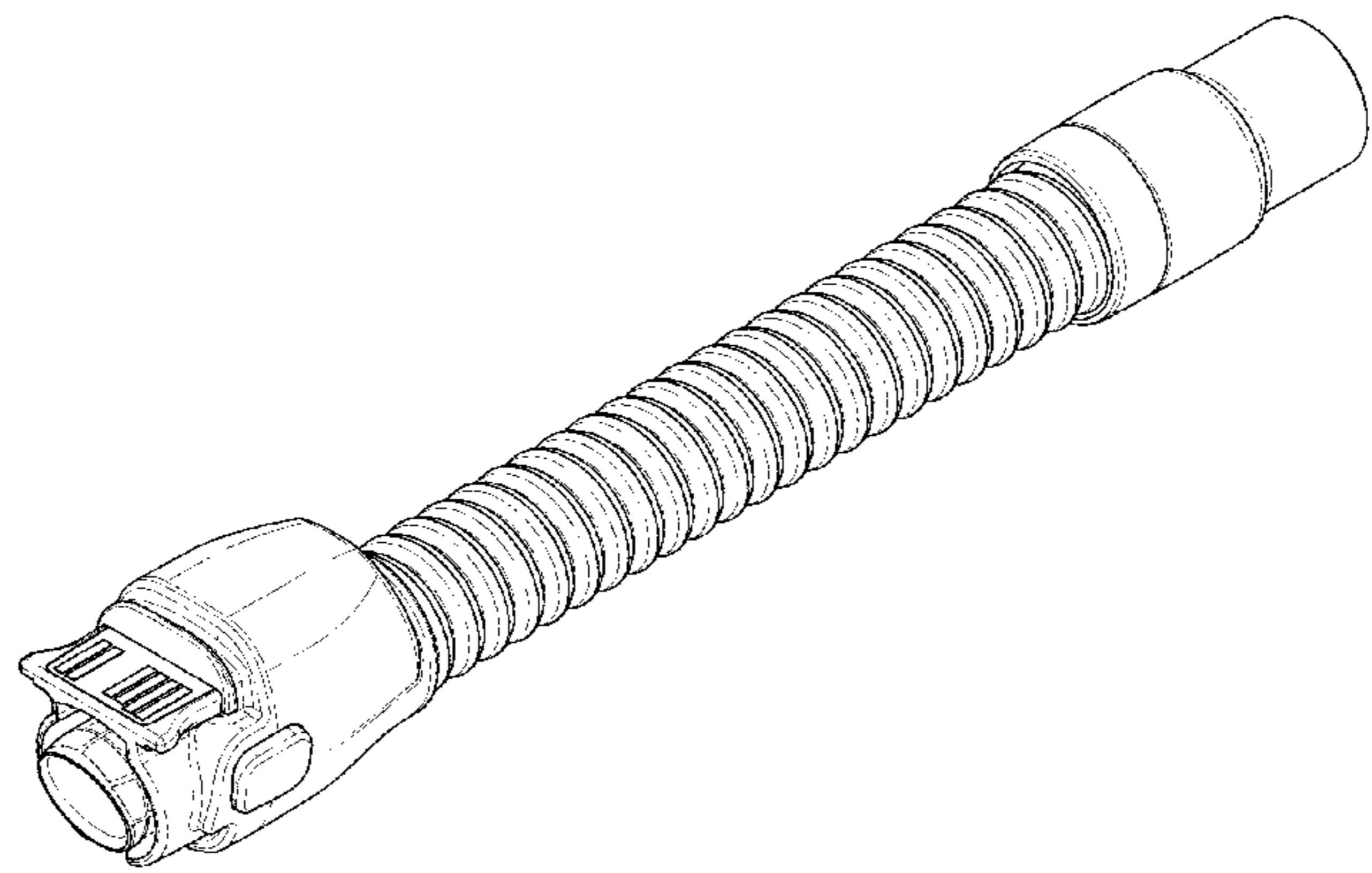


FIG. 10 is a first side view thereof, the second side being a mirror image thereof;  
 FIG. 11 is a top view thereof; and,  
 FIG. 12 is a bottom view thereof.  
 Broken lines are used to illustrate features of the circuit kit for a humidifier which form no part of the claimed design. In additional embodiments, among other features of any of the components, the bubble tube of the tubing assembly of any of the illustrated embodiments can be disclaimed.

**1 Claim, 10 Drawing Sheets**

**Related U.S. Application Data**

29/540,276, filed on Sep. 22, 2015, now Pat. No. Des. 807,995.

(58) **Field of Classification Search**

CPC ..... A61M 16/0875; A61M 16/0666  
 See application file for complete search history.

(56) **References Cited**

U.S. PATENT DOCUMENTS

D439,326 S 3/2001 Hecker et al.  
 7,226,302 B2 \* 6/2007 Walter ..... A47L 9/246  
 15/377  
 D638,537 S \* 5/2011 Virr ..... D24/129  
 D638,933 S \* 5/2011 Hill ..... D24/129

D652,916 S \* 1/2012 Row ..... D24/129  
 D652,917 S \* 1/2012 Hill ..... D24/129  
 D671,209 S \* 11/2012 Row ..... D24/129  
 D677,789 S 3/2013 Row et al.  
 D741,477 S \* 10/2015 Rogers ..... D24/129  
 D742,508 S \* 11/2015 Row ..... D24/129  
 D761,422 S \* 7/2016 Row ..... D24/129  
 D762,843 S 8/2016 Formica et al.  
 D805,630 S \* 12/2017 Formica ..... D24/110  
 2003/0236015 A1 12/2003 Edirisuriya et al.  
 2009/0025724 A1 1/2009 Herron, Jr.  
 2009/0266361 A1 \* 10/2009 Bilger ..... A62B 7/10  
 128/204.21  
 2013/0047987 A1 \* 2/2013 Mays ..... A61M 16/0875  
 128/204.18  
 2013/0333701 A1 \* 12/2013 Herron ..... A61M 16/0875  
 128/203.27  
 2014/0158133 A1 \* 6/2014 Acosta ..... A61M 16/0666  
 128/204.25  
 2015/0128944 A1 \* 5/2015 Buechi ..... A61M 16/1065  
 128/203.27  
 2015/0283350 A1 10/2015 Miller et al.  
 2015/0306326 A1 \* 10/2015 Graham ..... A61M 16/0463  
 128/202.16  
 2015/0306332 A1 \* 10/2015 Bafle ..... A61M 16/0666  
 128/202.27  
 2017/0100556 A1 \* 4/2017 Munkelt ..... A61M 16/0808

OTHER PUBLICATIONS

U.S. Appl. No. 29/625,933, filed Nov. 14, 2017, Maeckelberghe, et al.

\* cited by examiner

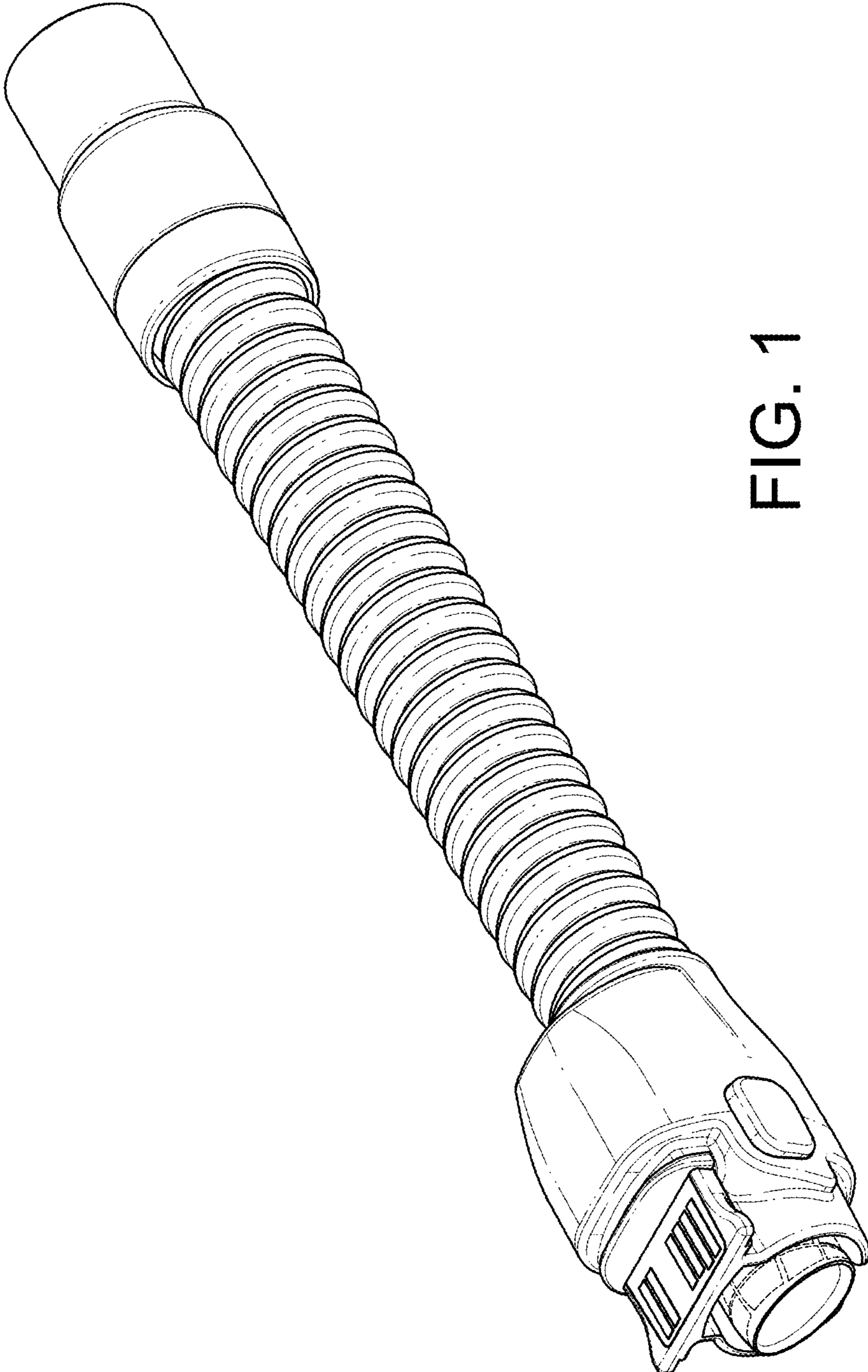


FIG. 1

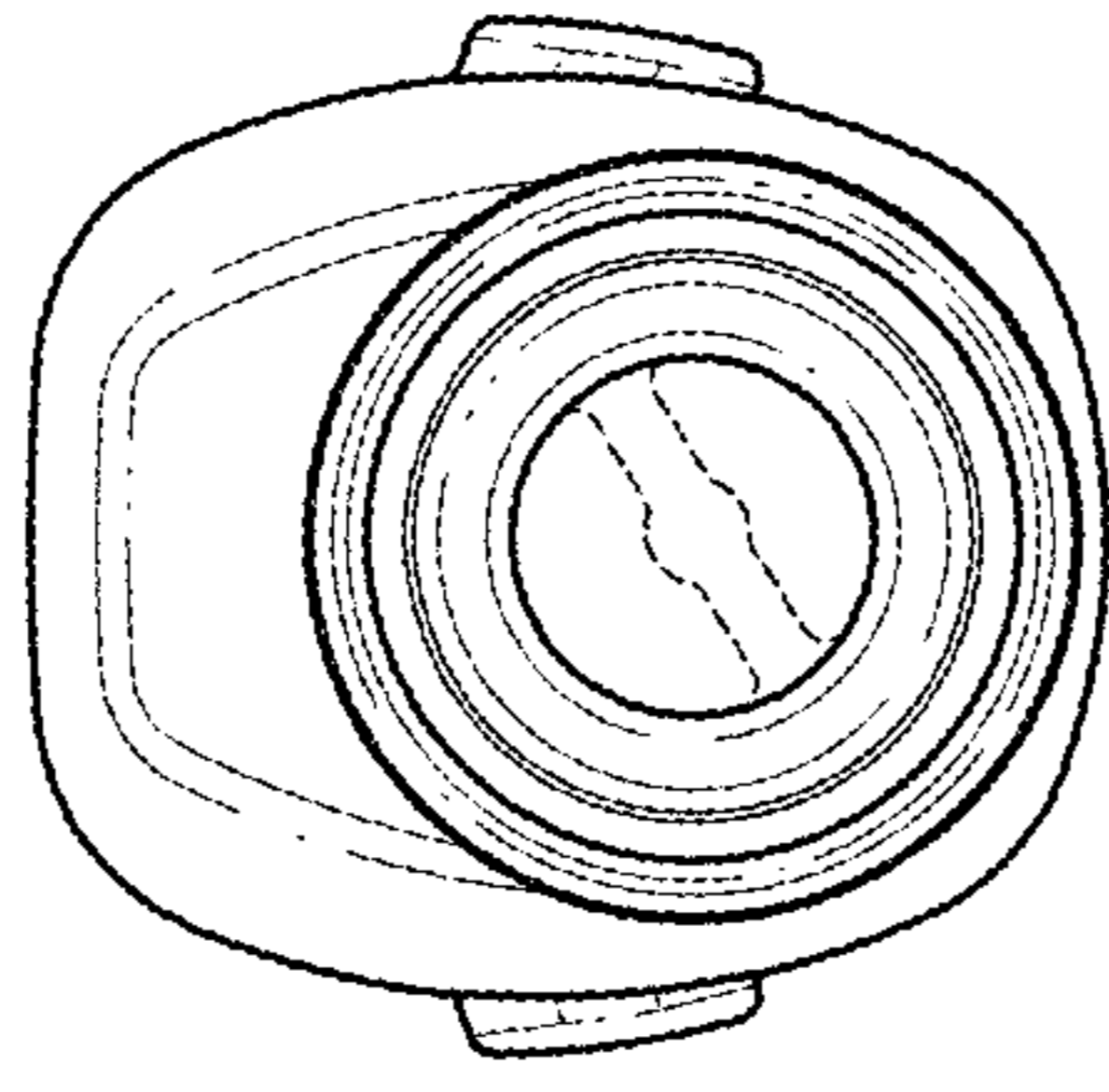


FIG. 3

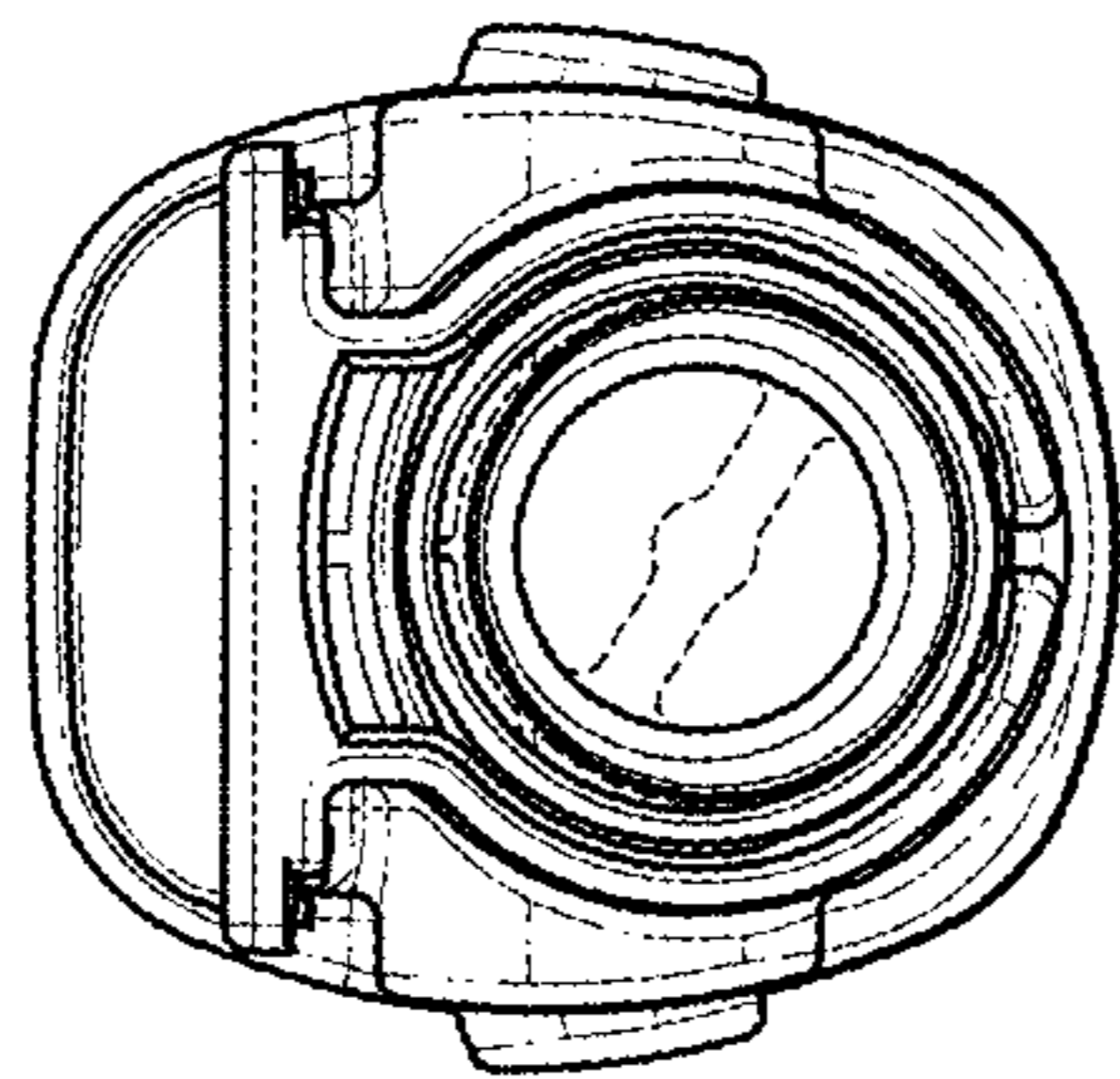


FIG. 2

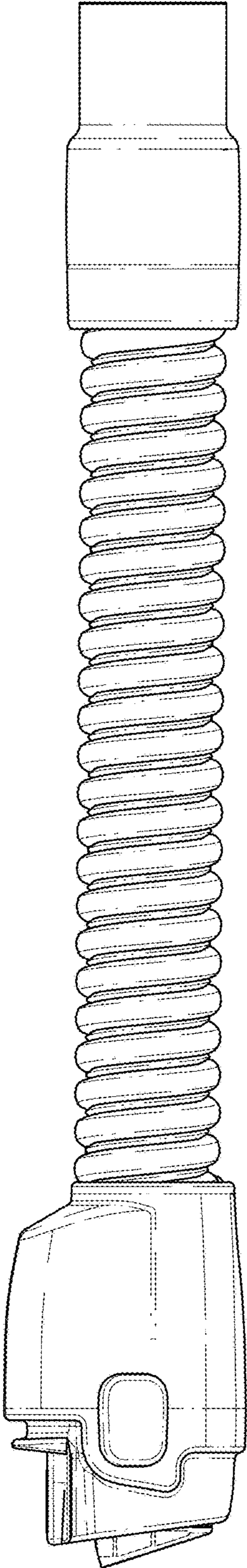


FIG. 4

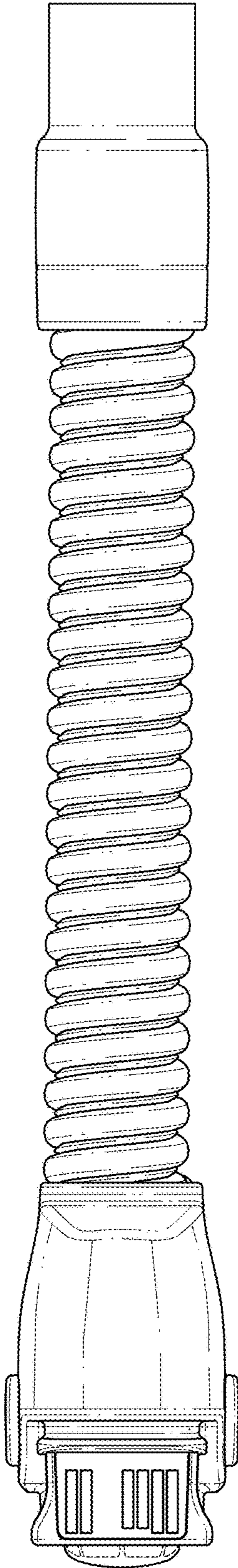


FIG. 5

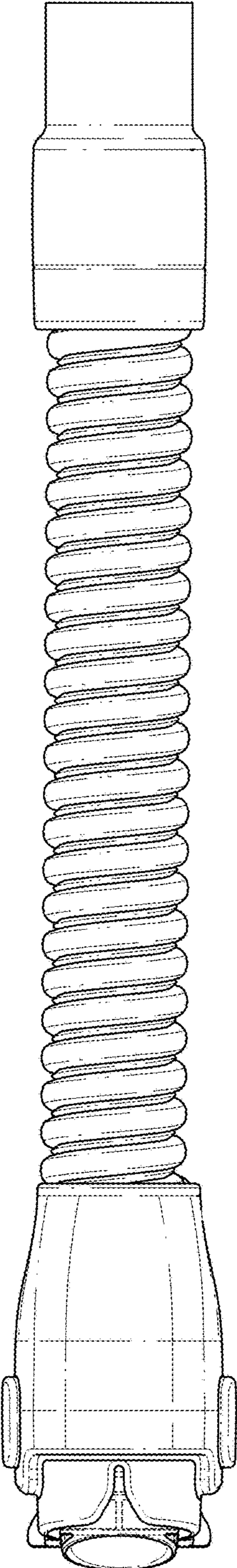


FIG. 6



FIG. 7



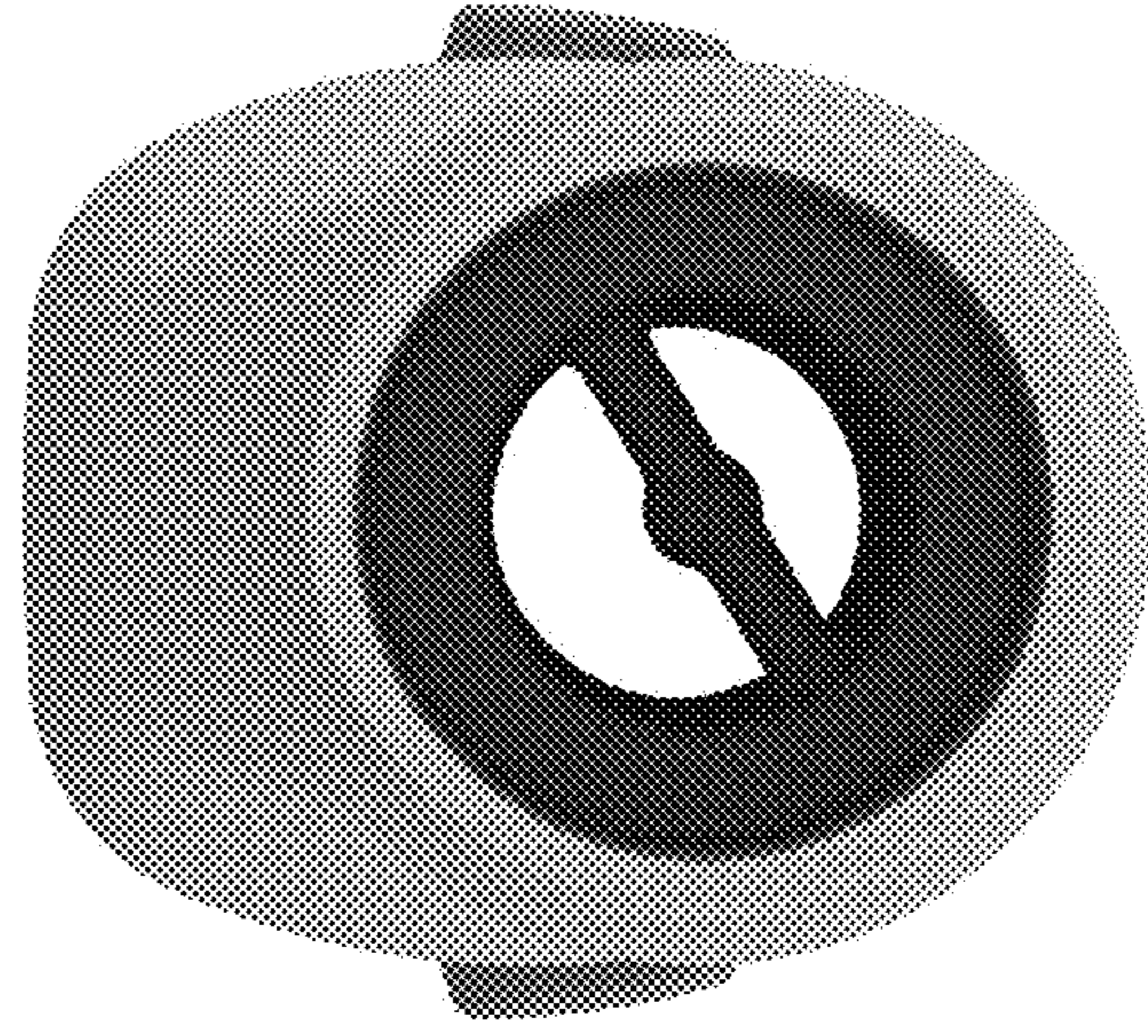


FIG. 9

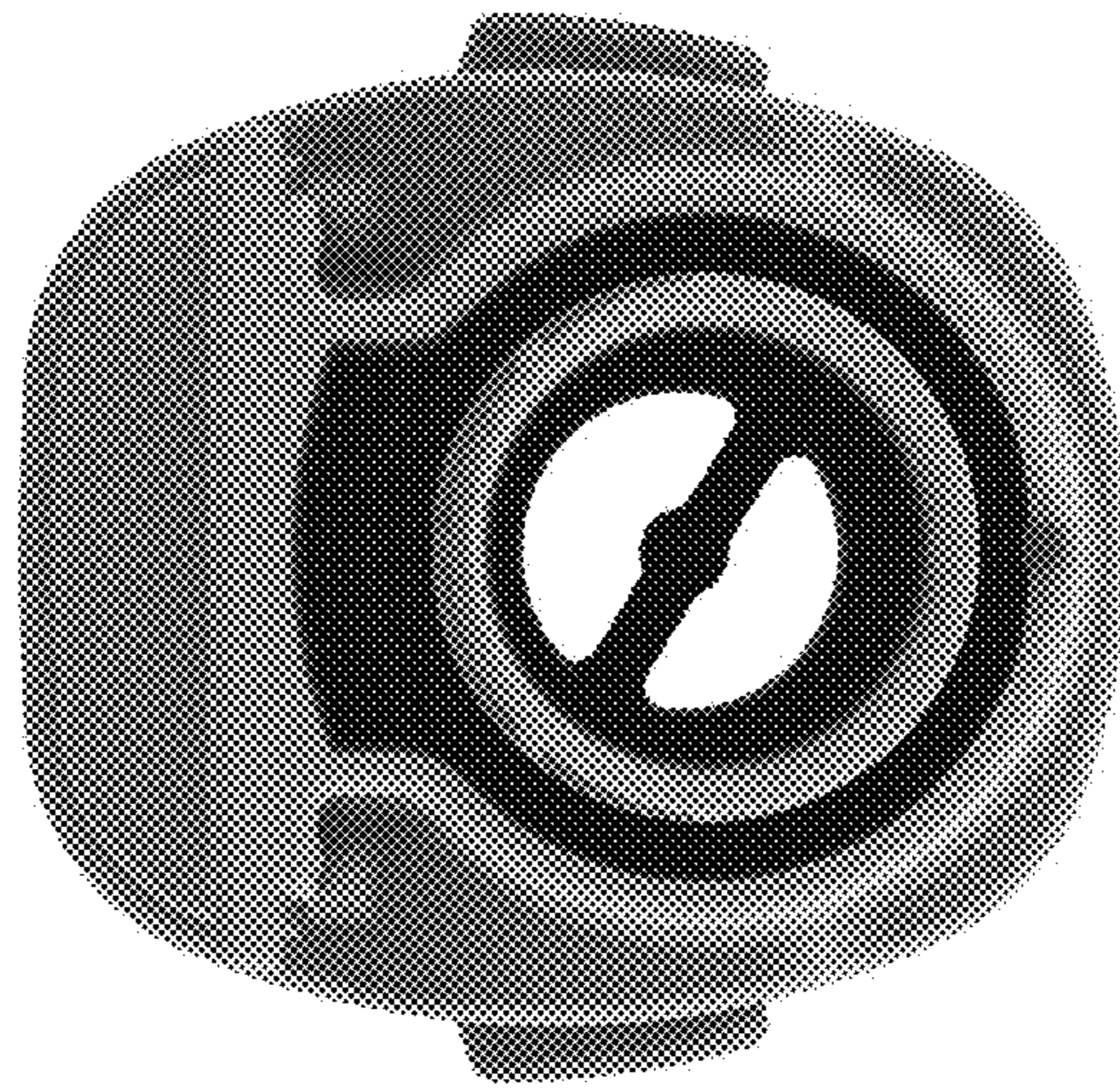


FIG. 8

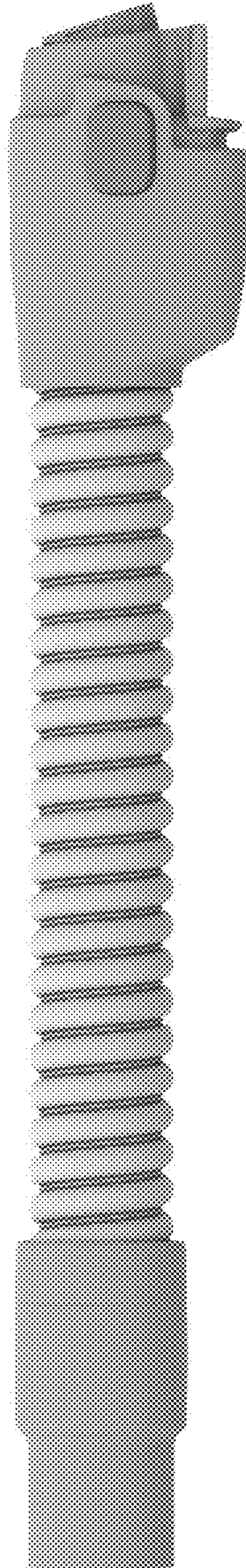


FIG. 10

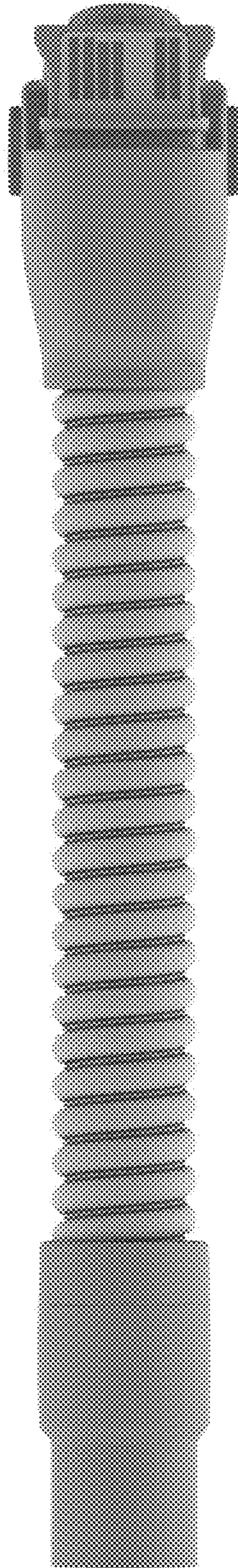


FIG. 11

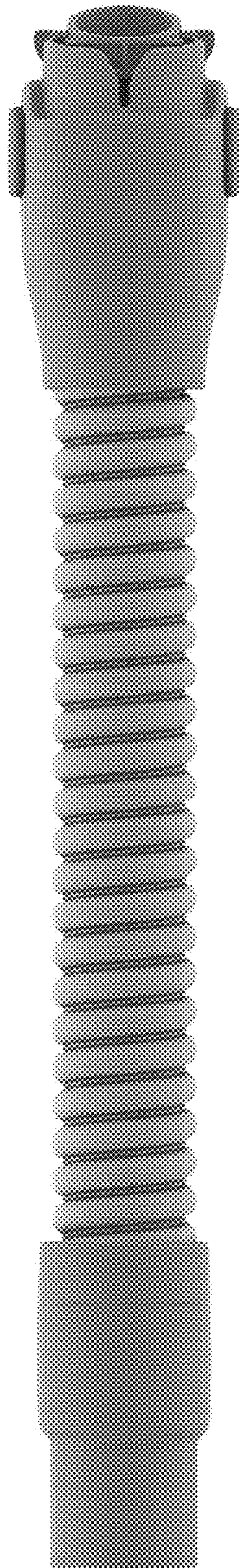


FIG. 12

UNITED STATES PATENT AND TRADEMARK OFFICE  
**CERTIFICATE OF CORRECTION**

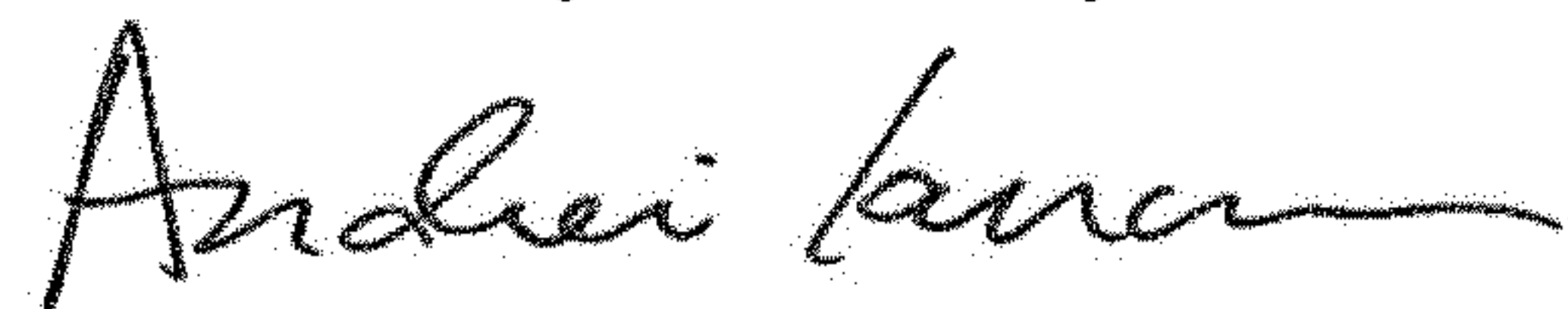
PATENT NO. : D822,818 S  
APPLICATION NO. : 29/626135  
DATED : July 10, 2018  
INVENTOR(S) : Thomas Jacques Fernand Maeckelberghe et al.

Page 1 of 1

It is certified that error appears in the above-identified patent and that said Letters Patent is hereby corrected as shown below:

On Page 2, Item (57), under Description, Line 6, after “design.” delete “In additional embodiments, among other features of any of the components, the bubble tube of the tubing assembly of any of the illustrated embodiments can be disclaimed.”

Signed and Sealed this  
First Day of January, 2019



Andrei Iancu  
*Director of the United States Patent and Trademark Office*