



US00D822817S

(12) **United States Design Patent** (10) **Patent No.:** **US D822,817 S**  
**Maeckelberghe et al.** (45) **Date of Patent:** **\*\* Jul. 10, 2018**

(54) **CIRCUIT KIT FOR A HUMIDIFIER**  
(71) Applicant: **Fisher & Paykel Healthcare Limited**,  
Auckland (NZ)  
(72) Inventors: **Thomas Jacques Fernand**  
**Maeckelberghe**, Auckland (NZ);  
**Gareth James Hobbs**, Auckland (NZ);  
**Matthew Liam Buswell**, Auckland  
(NZ); **Jason Allan Klenner**, Auckland  
(NZ); **David Leon McCauley**,  
Auckland (NZ); **Elmo Benson Stoks**,  
Auckland (NZ); **Samuel Graham**  
**Boggs**, Auckland (NZ); **Jonathan**  
**Andrew George Lambert**, Auckland  
(NZ); **James William Stanton**,  
Auckland (NZ)

(73) Assignee: **Fisher & Paykel Healthcare Limited**,  
Auckland (NZ)  
(\*\*) Term: **15 Years**

(21) Appl. No.: **29/625,933**

(22) Filed: **Nov. 14, 2017**

**Related U.S. Application Data**

(62) Division of application No. 29/540,276, filed on Sep.  
22, 2015, now Pat. No. Des. 807,995.

(51) **LOC (11) Cl.** ..... **23-04**

(52) **U.S. Cl.**  
USPC ..... **D23/358**

(58) **Field of Classification Search**  
USPC ..... D23/364, 359, 358, 333, 355; D24/110  
CPC ..... F24F 3/14; A61M 16/0066  
See application file for complete search history.

(56) **References Cited**

**U.S. PATENT DOCUMENTS**

D302,040 S 7/1989 Lambert  
5,514,303 A \* 5/1996 Chiu ..... B05B 3/085  
261/91

D439,326 S 3/2001 Hecker et al.  
8,240,306 B2 \* 8/2012 Cortez, Jr. .... A61M 16/08  
128/203.27  
D675,730 S \* 2/2013 Lithgow ..... D24/110  
D677,789 S 3/2013 Row et al.  
8,453,640 B2 \* 6/2013 Martin ..... A61M 16/0066  
128/203.17  
D710,493 S \* 8/2014 Wu ..... D24/110  
D762,843 S 8/2016 Formica et al.  
D809,124 S \* 1/2018 Bertinetti ..... D24/110  
2003/0236015 A1 12/2003 Edirisuriya et al.  
2009/0025724 A1 1/2009 Herron, Jr.

(Continued)

**OTHER PUBLICATIONS**

U.S. Appl. No. 29/540,276, filed Sep. 22, 2015, Maeckelberghe, et al.

*Primary Examiner* — Kevin K Rudzinski  
(74) *Attorney, Agent, or Firm* — Knobbe Martens Olson & Bear, LLP

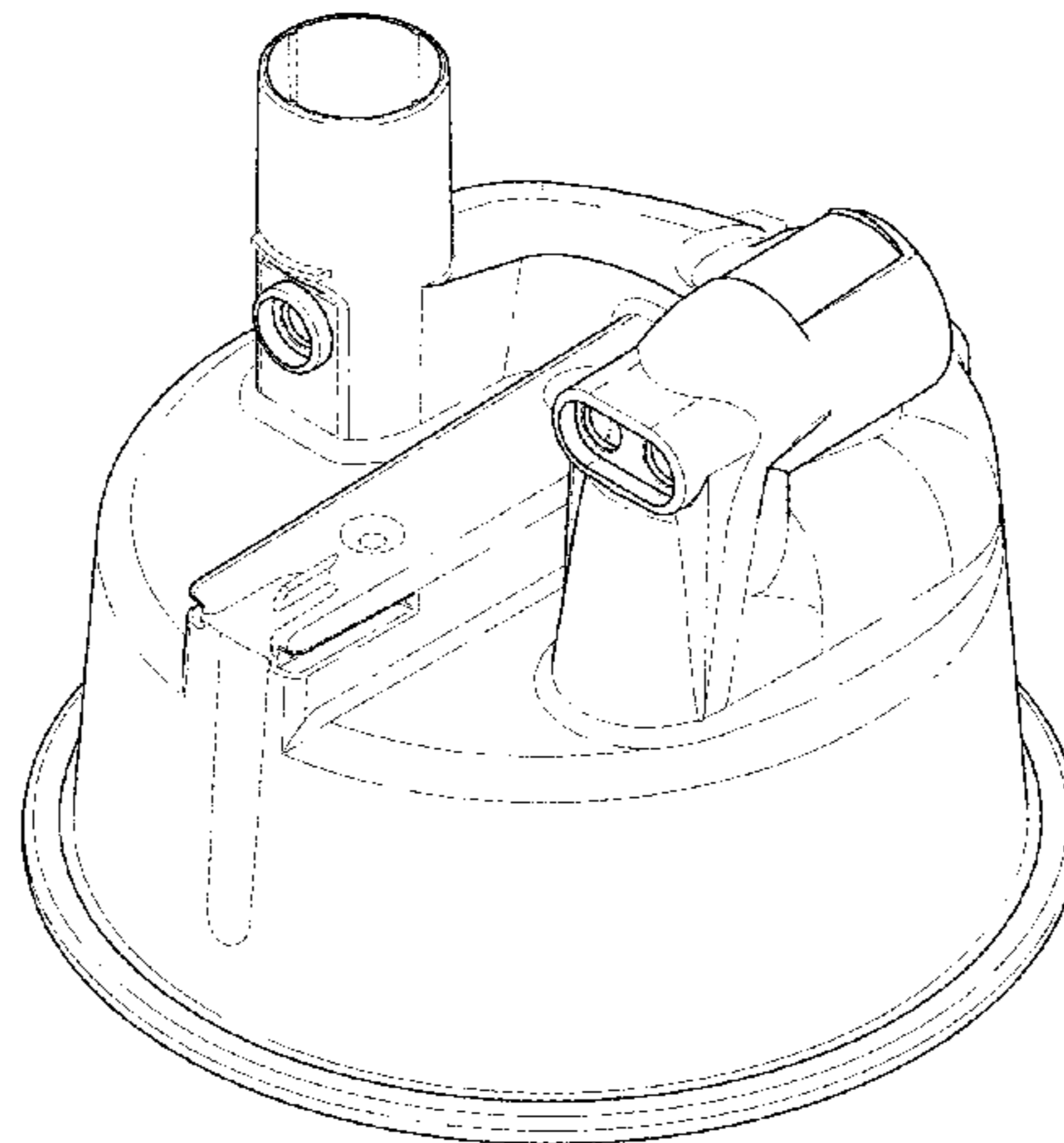
(57) **CLAIM**

The ornamental design for a circuit kit for a humidifier, as shown and described.

**DESCRIPTION**

FIG. 1 is a top, rear and side perspective view of a circuit kit for a humidifier showing our new design; FIG. 2 is a rear view thereof; FIG. 3 is a front view thereof; FIG. 4 is a first side view thereof; FIG. 5 is a second side view thereof; FIG. 6 is a top view thereof; and, FIG. 7 is a bottom view thereof. Broken lines are used to illustrate features of the circuit kit for a humidifier which form no part of the claimed design.

**1 Claim, 7 Drawing Sheets**



(56)

**References Cited**

U.S. PATENT DOCUMENTS

2009/0136341 A1\* 5/2009 Kenyon ..... A61M 16/0057  
415/203  
2012/0304994 A1\* 12/2012 Kwok ..... A61M 16/0066  
128/204.21  
2013/0008440 A1\* 1/2013 Maurer ..... A61M 16/16  
128/203.12  
2013/0333701 A1\* 12/2013 Herron ..... A61M 16/0875  
128/203.27  
2015/0277733 A1\* 10/2015 Schwaibold ..... G16H 40/63  
715/771  
2015/0283350 A1 10/2015 Miller et al.

\* cited by examiner

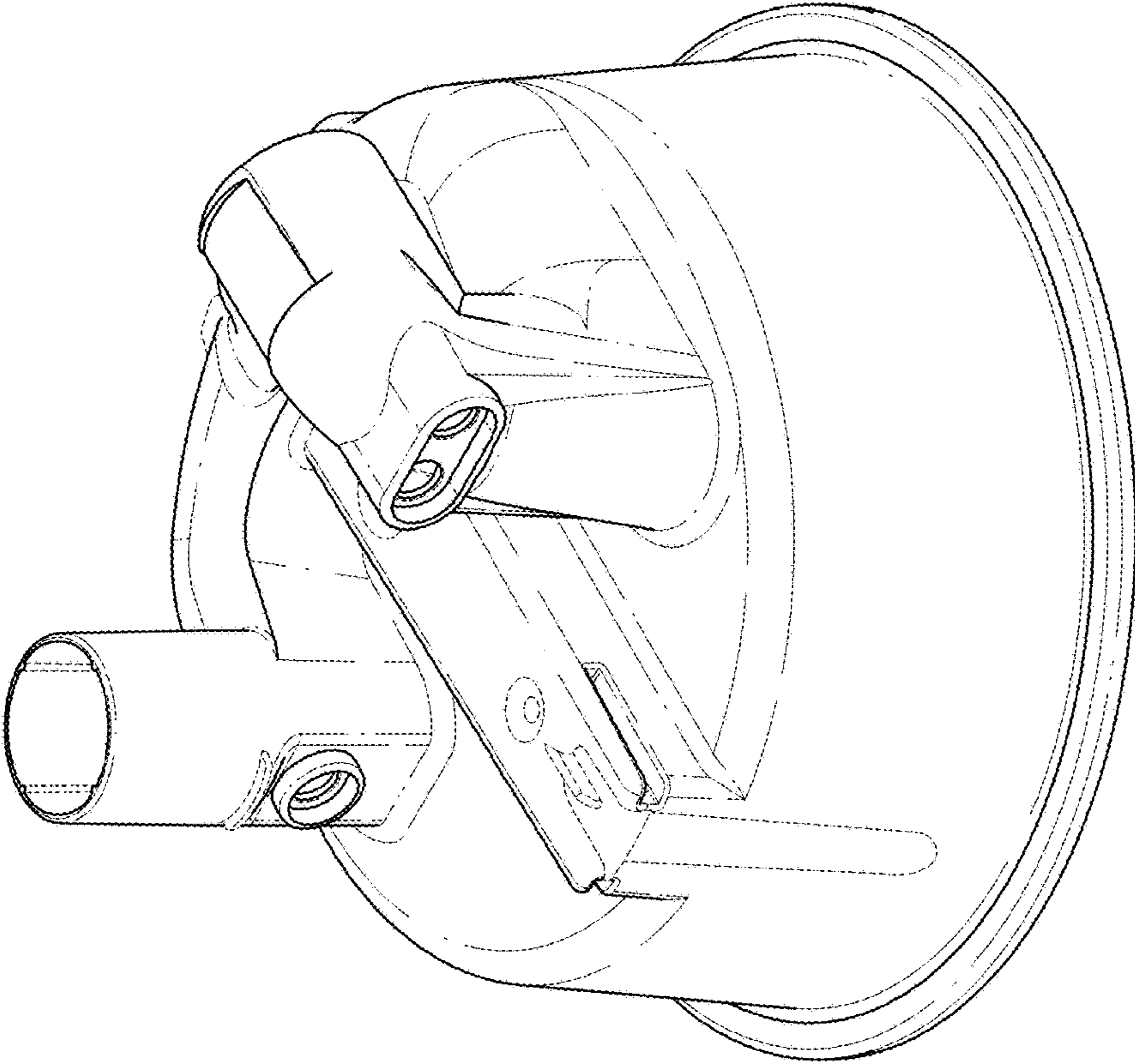


FIG. 1

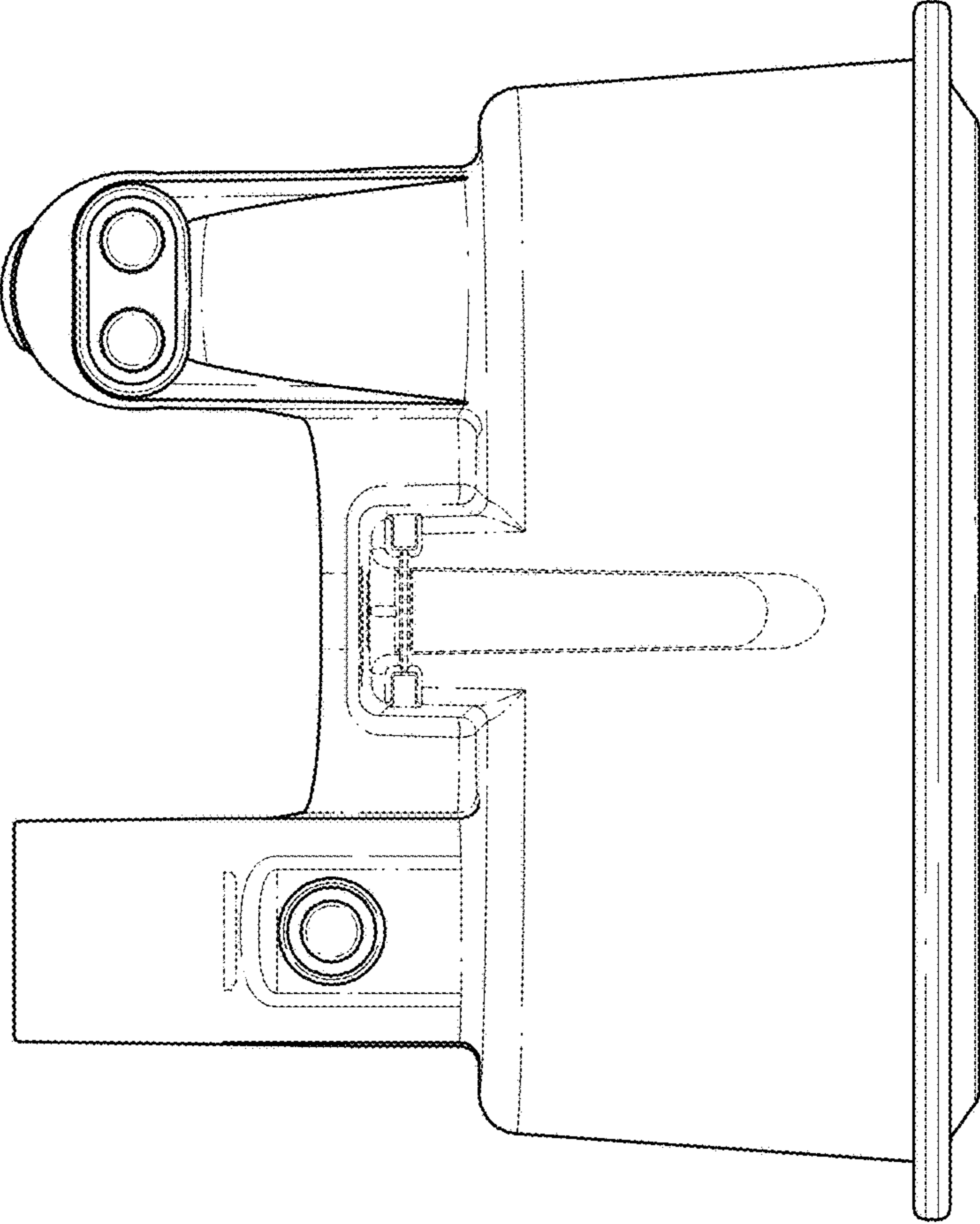


FIG. 2

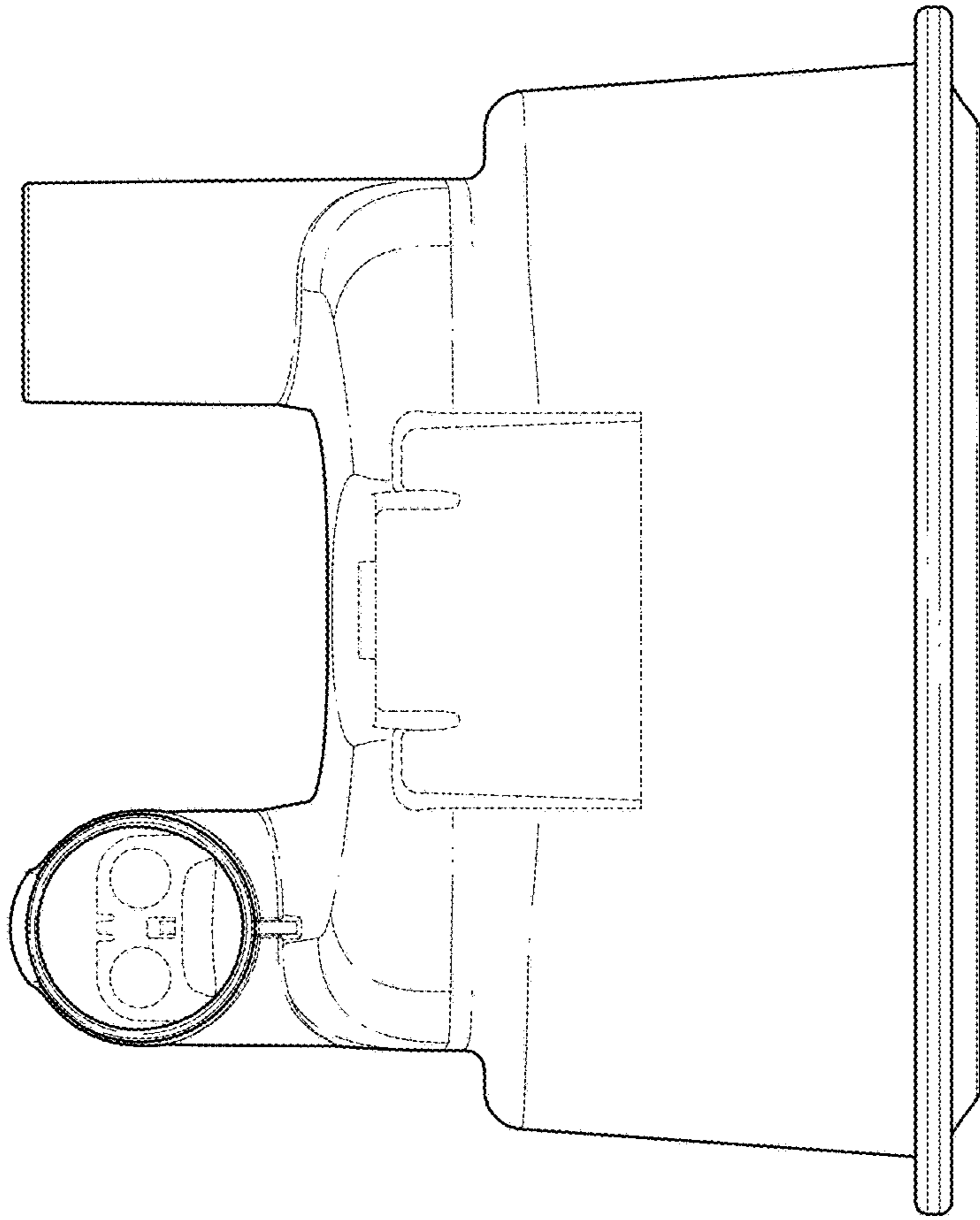


FIG. 3

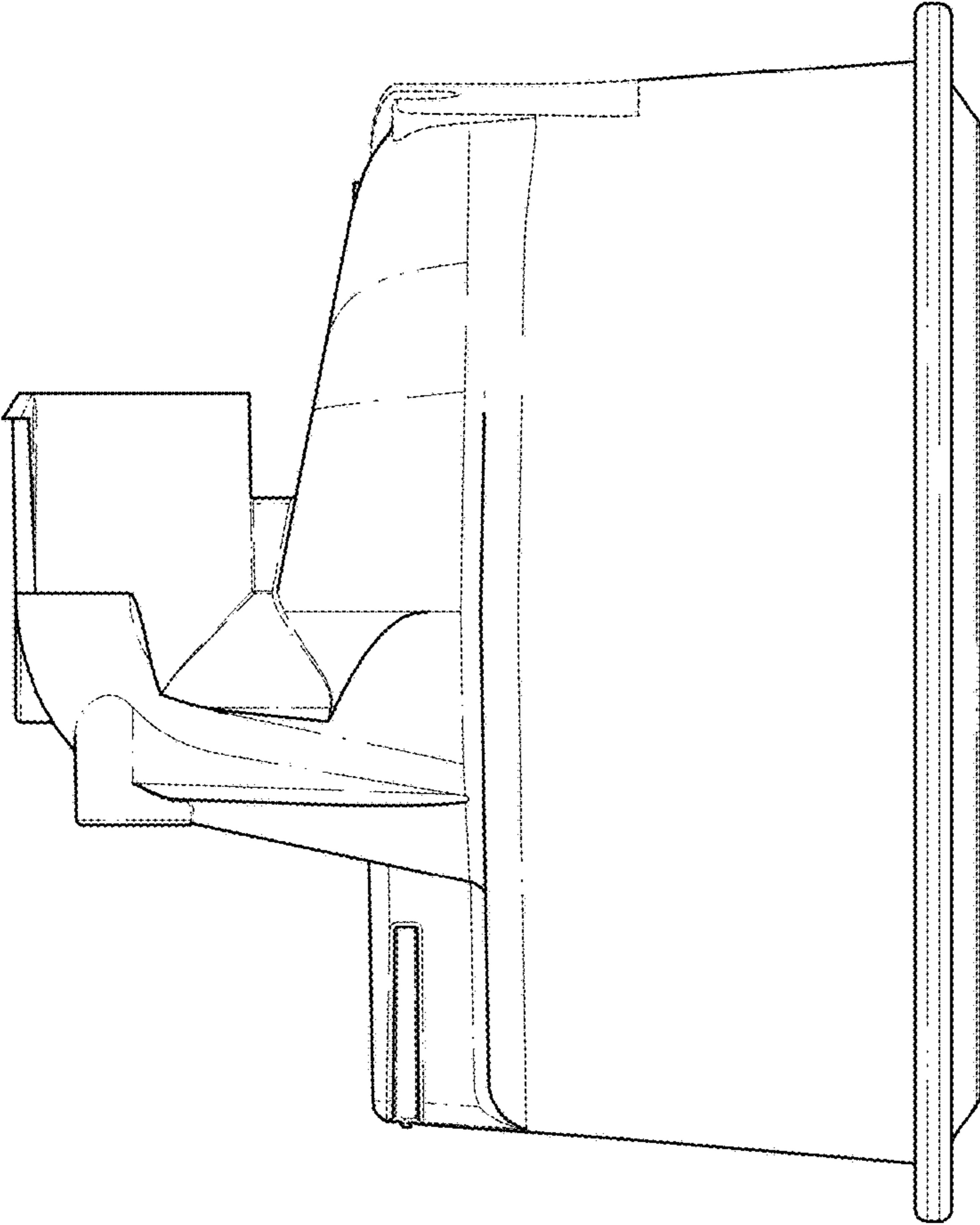


FIG. 4

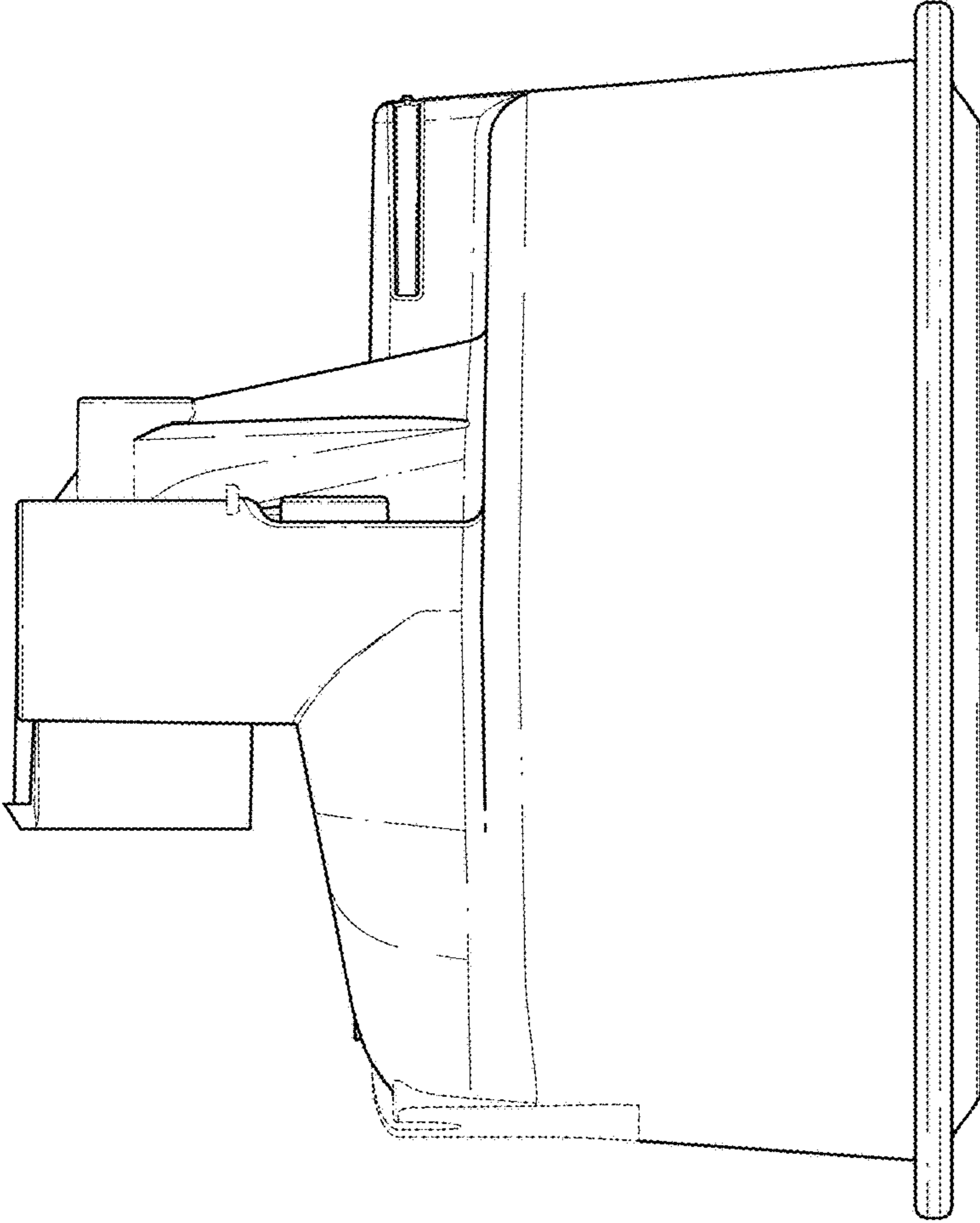


FIG. 5

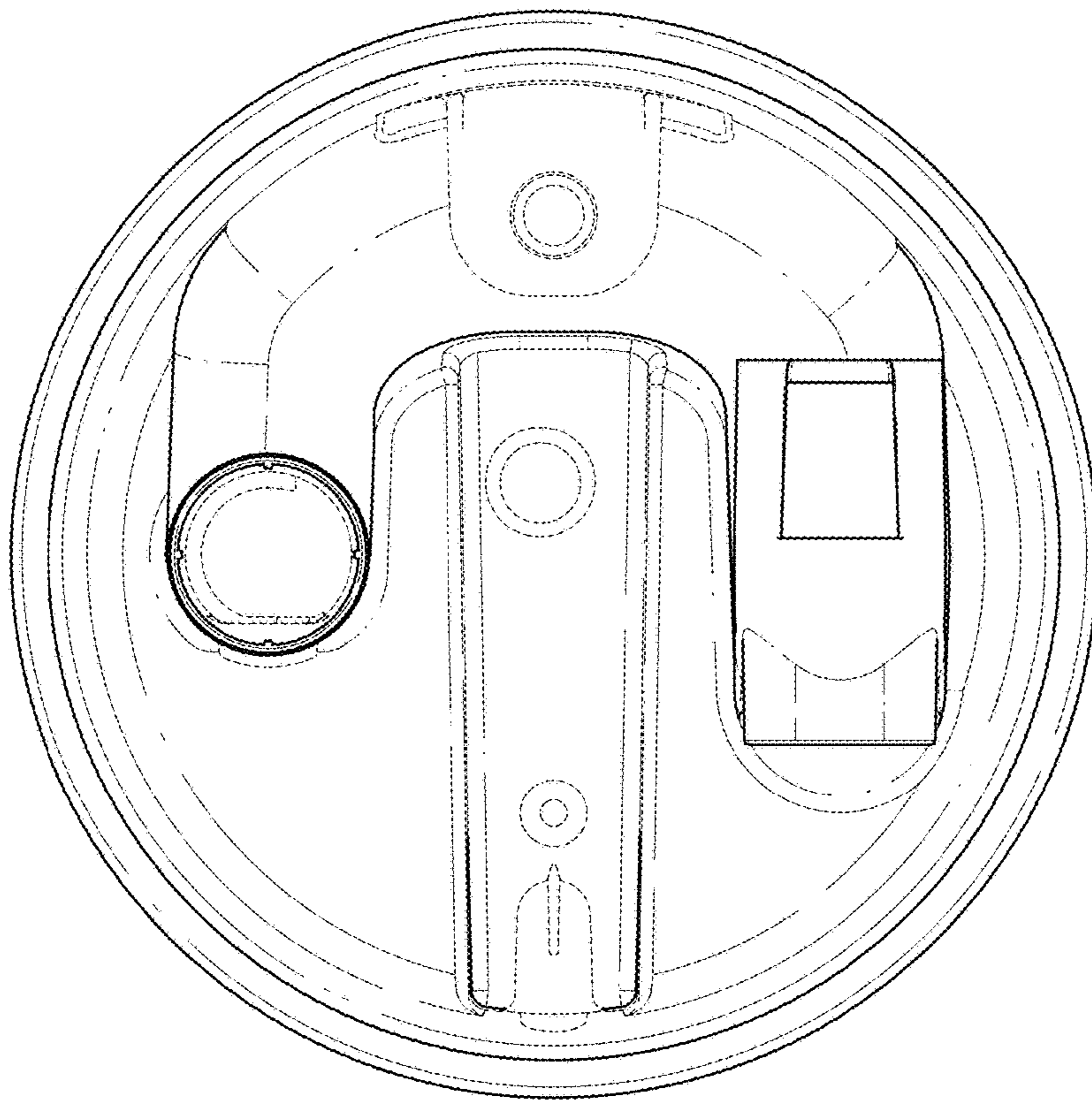


FIG. 6



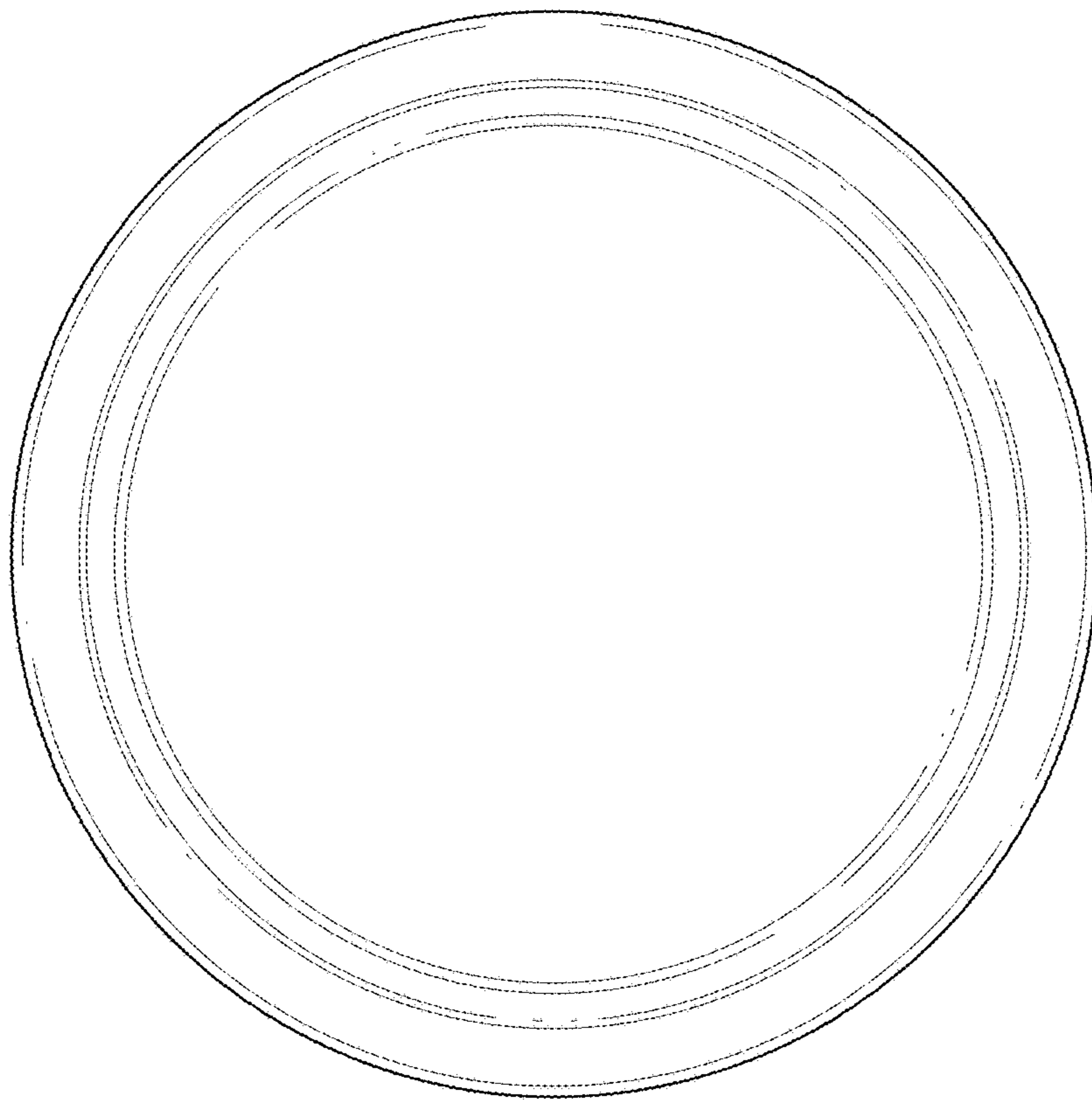


FIG. 7