



US00D822816S

(12) **United States Design Patent**
Seo et al.

(10) **Patent No.:** **US D822,816 S**
(45) **Date of Patent:** **** Jul. 10, 2018**

(54) **ULTRASONIC HUMIDIFIER MODULE**

(71) Applicant: **MIRO CO. LTD.**, Incheon (KR)

(72) Inventors: **Dong Jin Seo**, Incheon (KR); **Yong Ju Oh**, Incheon (KR); **Min Seok Kim**, Incheon (KR); **Jeong Won Lee**, Incheon (KR)

(73) Assignee: **MIRO CO. LTD.**, Incheon (KR)

(**) Term: **15 Years**

(21) Appl. No.: **29/593,048**

(22) Filed: **Feb. 6, 2017**

(30) **Foreign Application Priority Data**

Aug. 5, 2016 (KR) 30-2016-0038282

(51) **LOC (11) Cl.** **23-04**

(52) **U.S. Cl.**
USPC **D23/358**

(58) **Field of Classification Search**

USPC D23/355, 356, 357-366, 352, 369, 332, D23/333, 335, 336, 342, 351, 367
CPC .. A61L 9/16; A61L 9/22; B01D 47/00; B01D 47/027; B01D 2221/02; B01D 2259/4508; B03C 3/155; B03C 3/368; F24F 3/16; F24F 13/20; F24F 13/28; F24F 2001/0096; F24F 3/1405; F24F 3/1603

See application file for complete search history.

(56) **References Cited**

U.S. PATENT DOCUMENTS

D383,202 S * 9/1997 Meister D23/364
D754,832 S * 4/2016 Seo D23/365

D761,946 S * 7/2016 Francis D23/365
D780,808 S * 3/2017 Aoki D15/5
D800,285 S * 10/2017 Seo D23/358
2010/0180618 A1 * 7/2010 Gavan F24F 13/222
62/291
2011/0222975 A1 * 9/2011 Short B23B 29/125
408/17
2013/0215722 A1 * 8/2013 Wu G10K 9/122
367/188
2014/0062077 A1 * 3/2014 Hurley F24F 13/222
285/7
2016/0067790 A1 * 3/2016 Short B23B 37/00
408/17

* cited by examiner

Primary Examiner — Rosemary K Tarcza

Assistant Examiner — Christy Nemeth

(74) *Attorney, Agent, or Firm* — Novick, Kim & Lee, PLLC; Sang Ho Lee

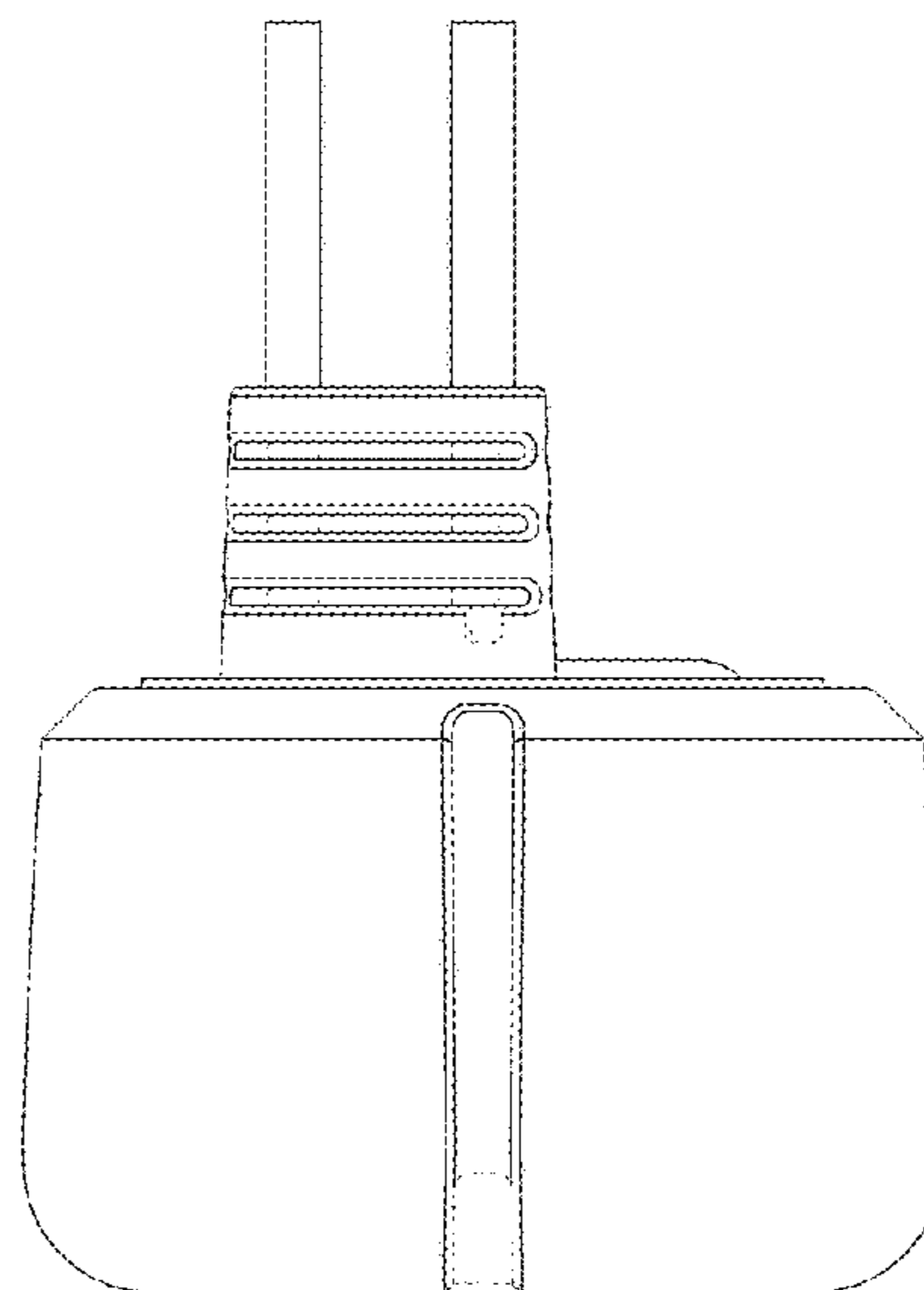
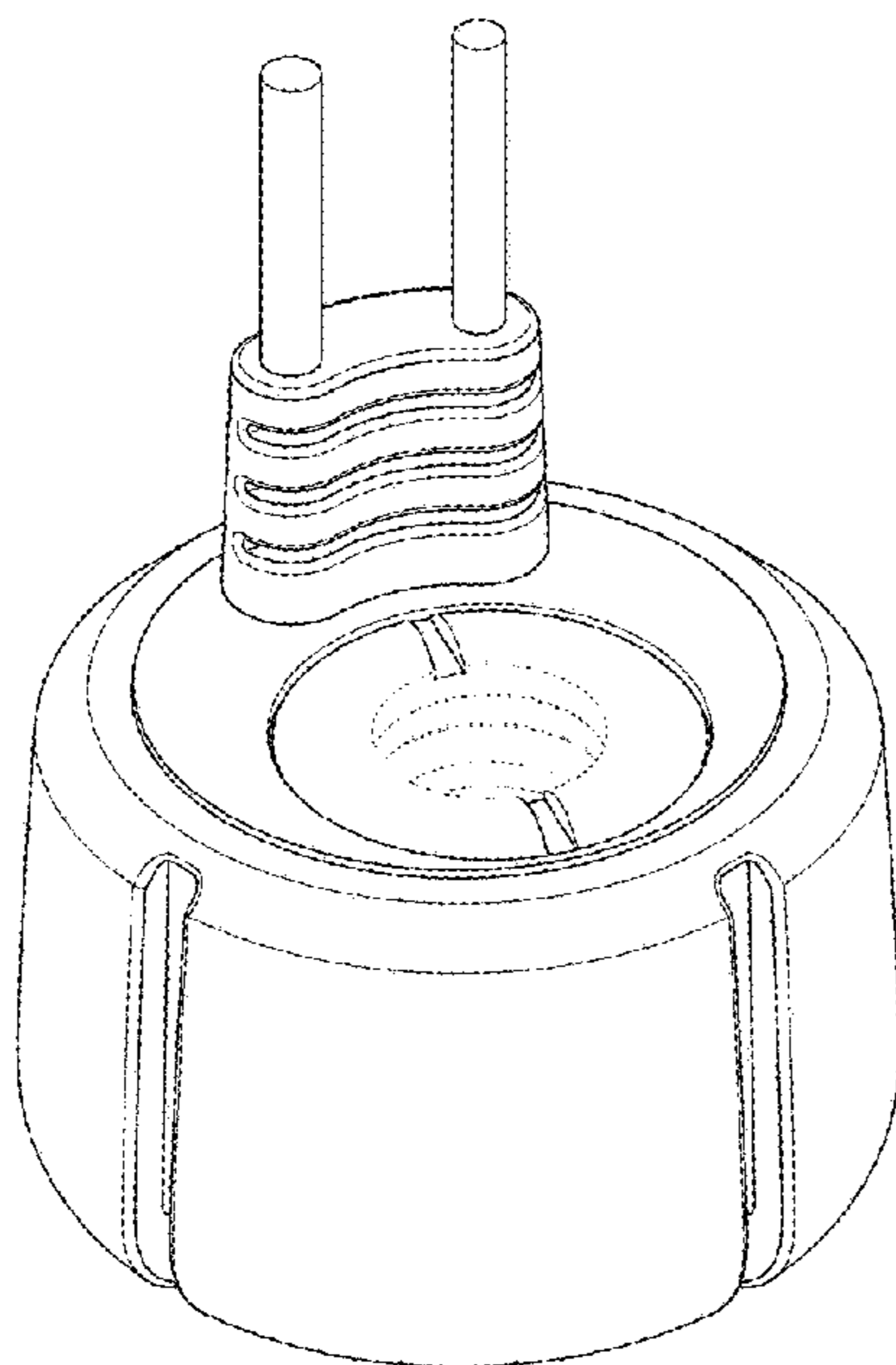
(57) **CLAIM**

We claim the ornamental design for an ultrasonic humidifier module, as shown and described.

DESCRIPTION

FIG. 1 is a perspective view of an ultrasonic humidifier module according to our new design; FIG. 2 is a front elevational view thereof; FIG. 3 is a rear elevational view thereof; FIG. 4 is a left side elevational view thereof; FIG. 5 is a right side elevational view thereof; FIG. 6 is a top plan view thereof; and, FIG. 7 is a bottom plan view thereof. The broken lines shown in the drawings show portions of the ultrasonic humidifier module which form no part of the claimed design.

1 Claim, 7 Drawing Sheets



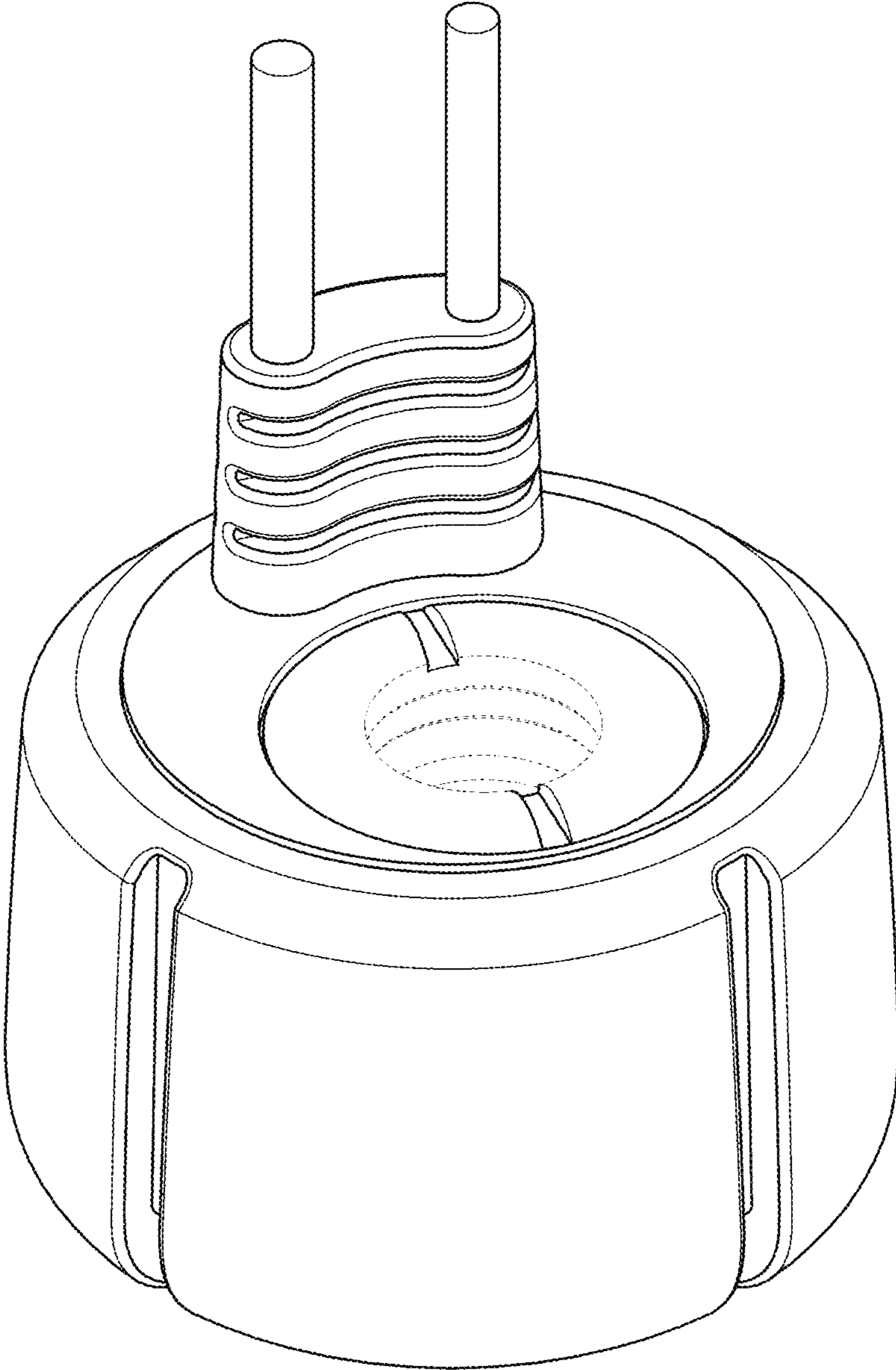


FIG. 1

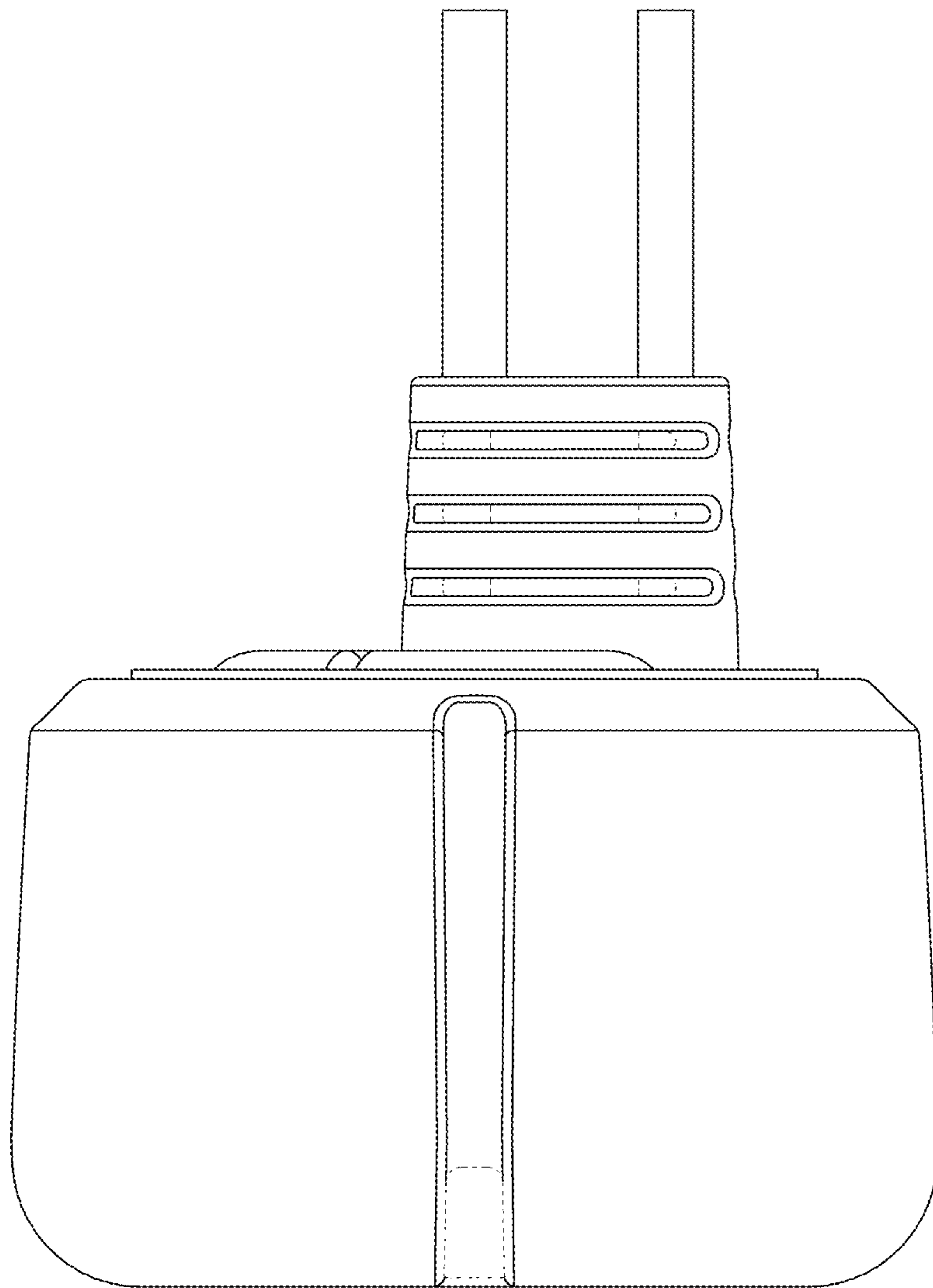


FIG. 2

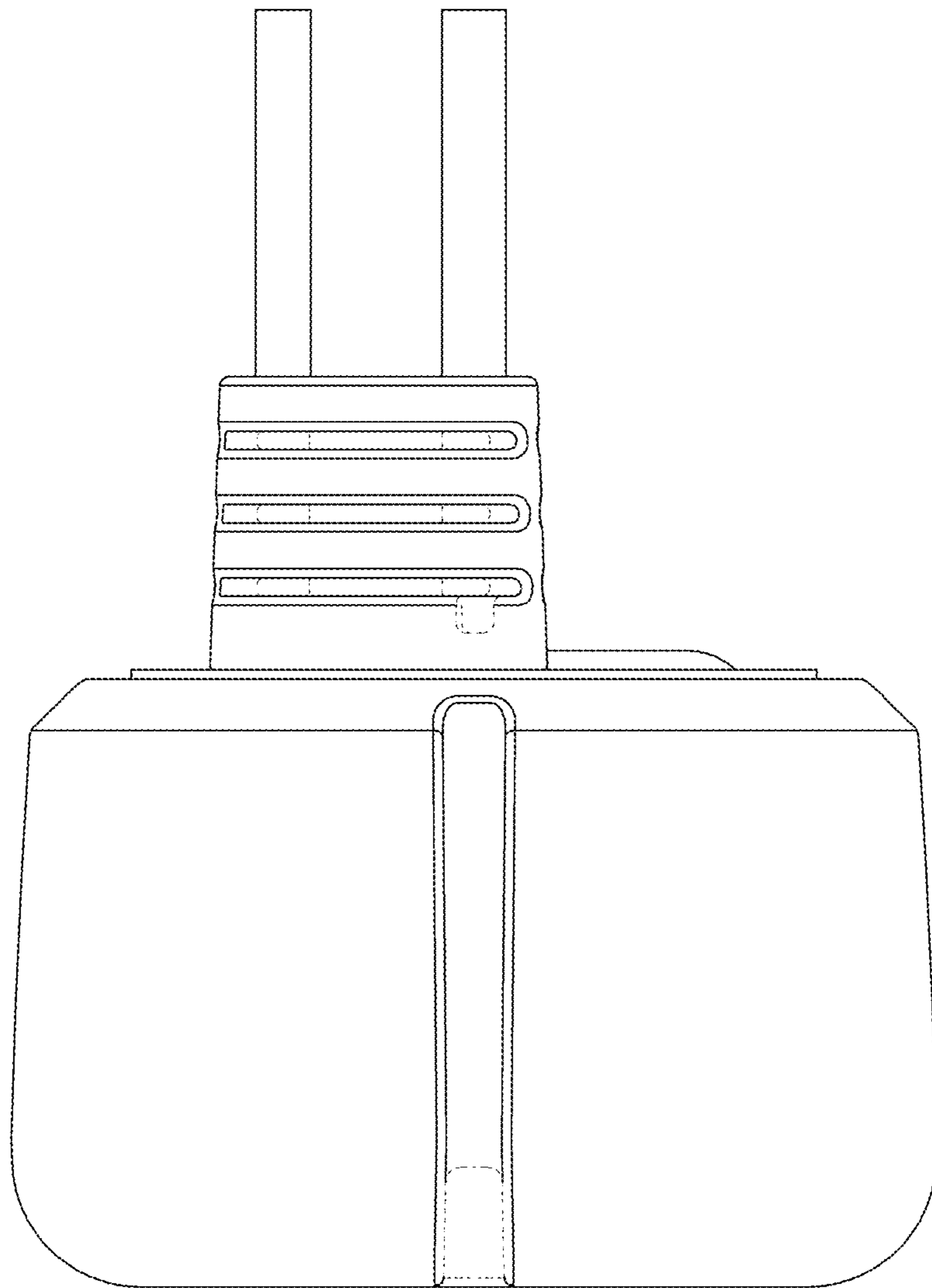


FIG. 3

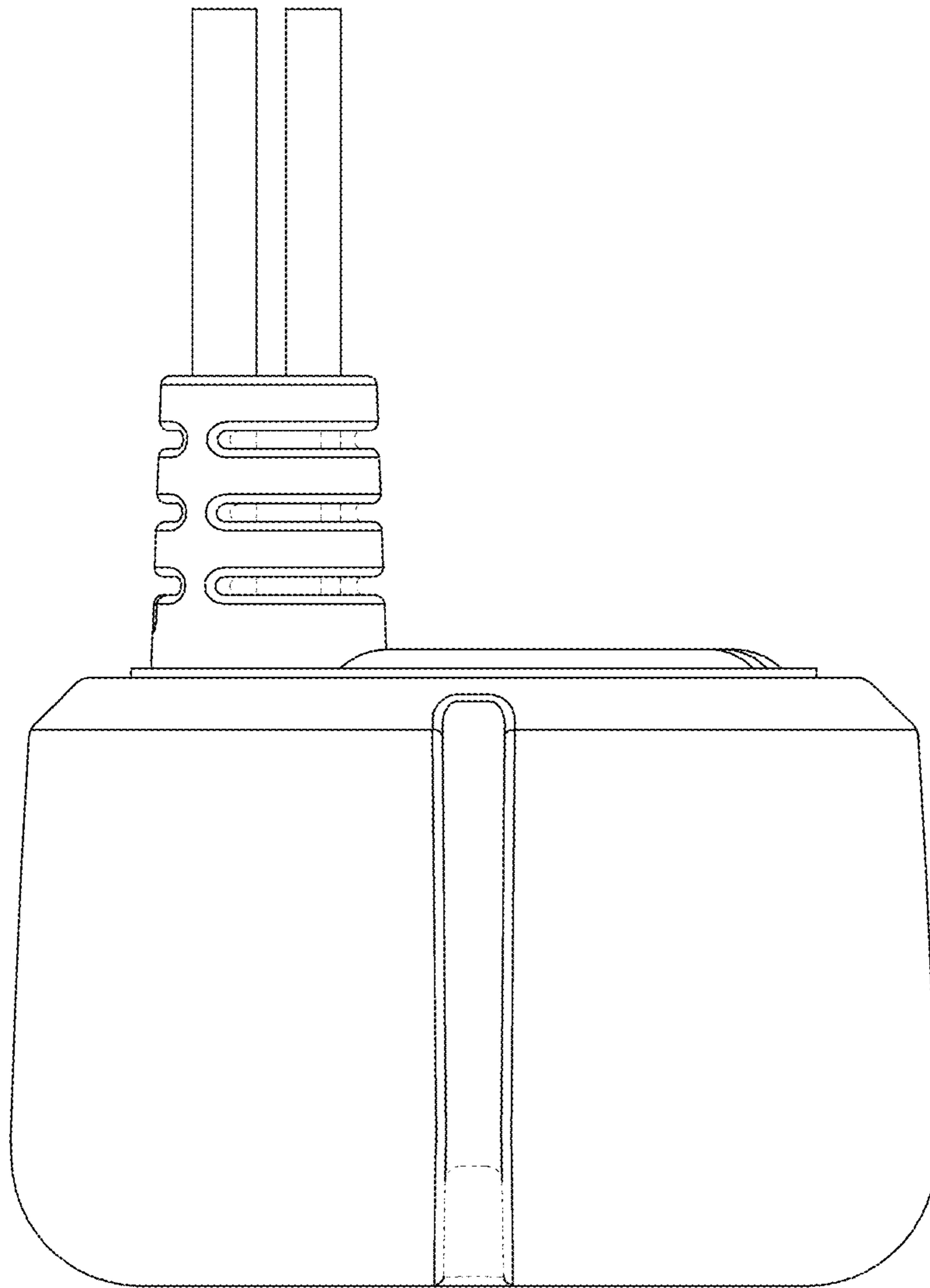


FIG. 4

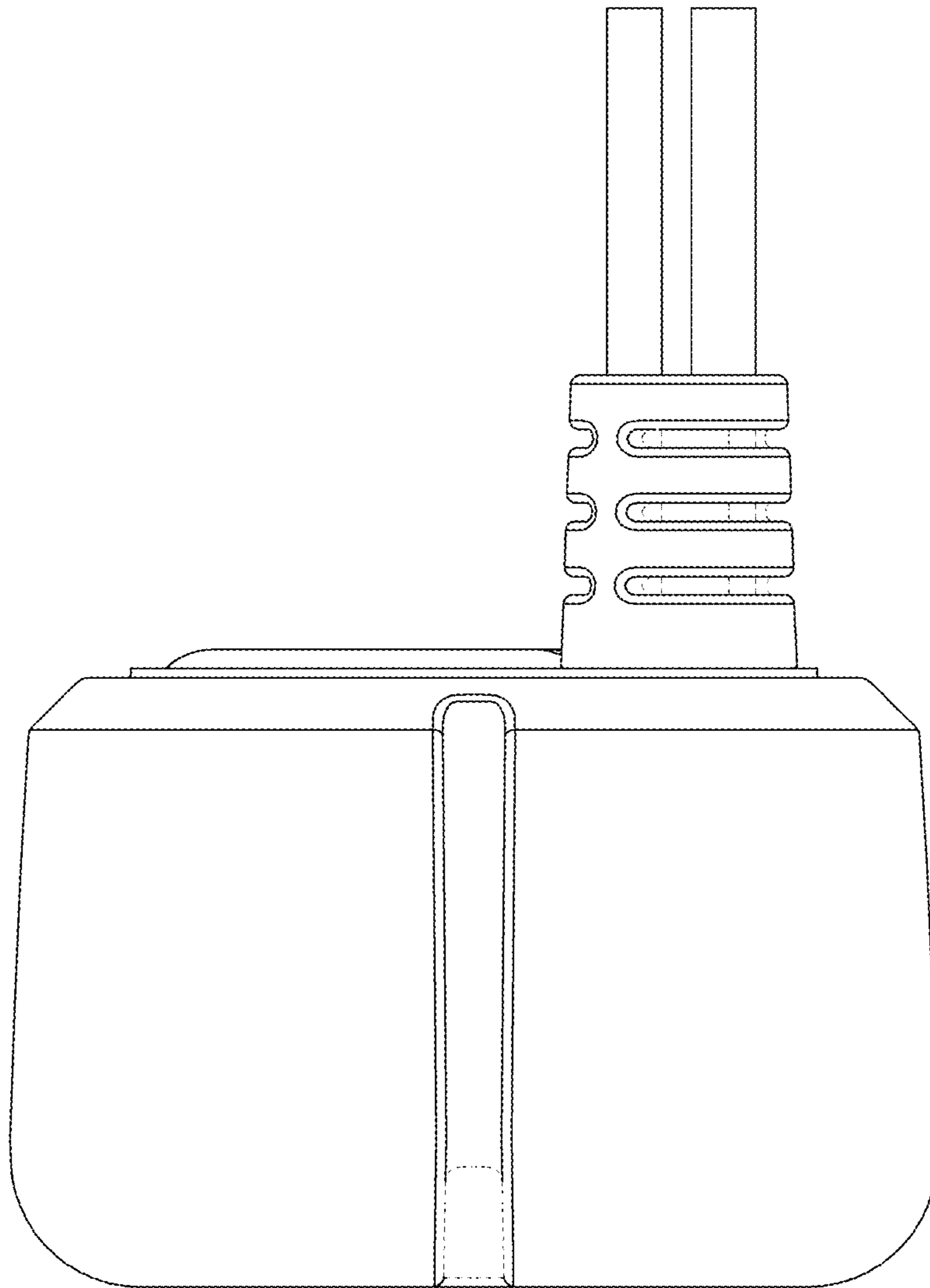


FIG. 5

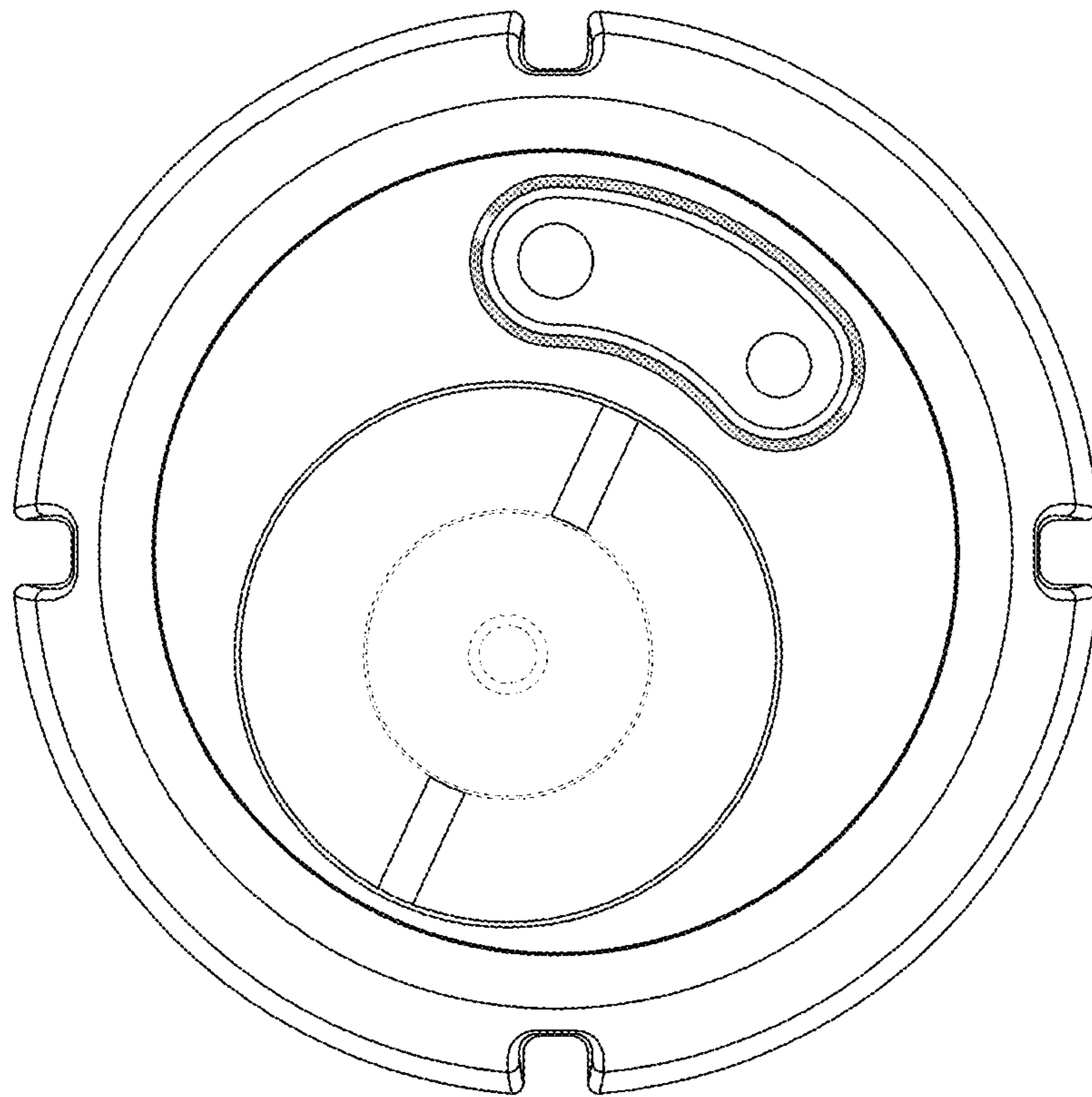


FIG. 6

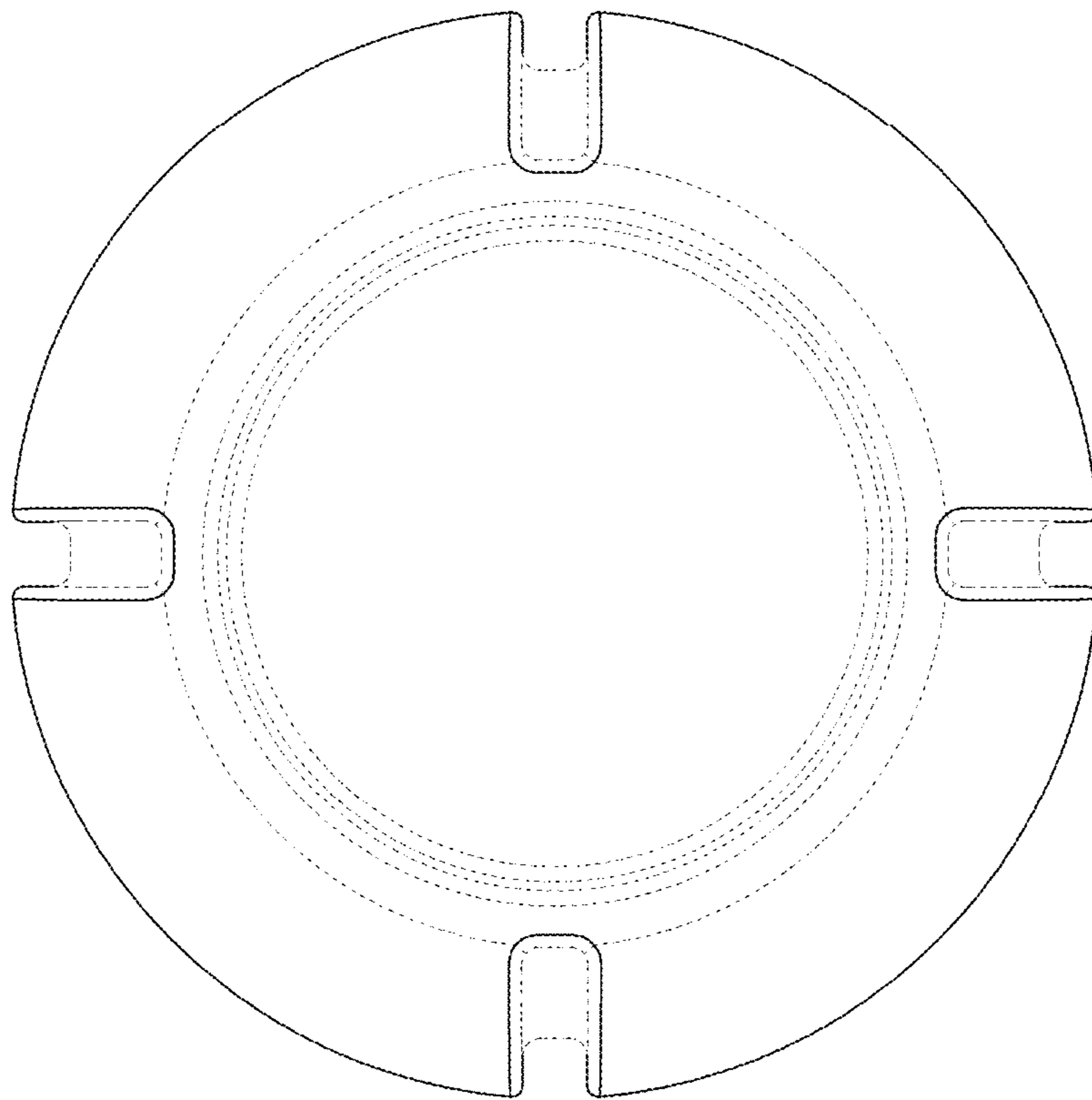


FIG. 7