



US00D822812S

(12) **United States Design Patent**
Hu

(10) **Patent No.:** **US D822,812 S**
(45) **Date of Patent:** **** Jul. 10, 2018**

(54) **HUMIDIFIER WITH FRAGRANCE**
(71) Applicant: **Yang-Min Hu**, Guangzhou (CN)
(72) Inventor: **Yang-Min Hu**, Guangzhou (CN)
(**) Term: **15 Years**
(21) Appl. No.: **29/586,443**
(22) Filed: **Dec. 3, 2016**

D594,959 S * 6/2009 Orihara D23/366
D657,037 S * 4/2012 Lo D23/364
D680,636 S * 4/2013 Ching D23/356
D705,410 S * 5/2014 Terao D23/364
8,747,737 B2 * 6/2014 Lynn A61L 9/015
250/455.11
D708,727 S * 7/2014 Postma D23/360
9,039,978 B2 * 5/2015 Hong B03C 3/08
422/122
D749,202 S * 2/2016 Satou D23/364
D754,833 S * 4/2016 Hsiao D23/366
D777,891 S * 1/2017 Kubota D23/351
D791,297 S * 7/2017 Ljungstrom D23/364

(30) **Foreign Application Priority Data**

Oct. 11, 2016 (CN) 2016 3 0498200

(51) **LOC (11) Cl.** **23-04**
(52) **U.S. Cl.**
USPC **D23/356**

(58) **Field of Classification Search**
USPC D23/355-366, 352, 369, 332, 333, 335,
D23/336, 342, 351; 422/120, 122;
55/356, 473, 504; 96/97; 261/DIG. 17,
261/DIG. 65, DIG. 88, DIG. 31
CPC .. A61L 9/16; A61L 9/22; B01D 47/00; B01D
47/027; B01D 2221/02; B01D 2259/4508;
B03C 3/155; F24F 13/20; F24F 13/222
See application file for complete search history.

(56) **References Cited**

U.S. PATENT DOCUMENTS

D311,245 S * 10/1990 Choi D23/359
D311,270 S * 10/1990 Savage D23/365

* cited by examiner

Primary Examiner — David Muller

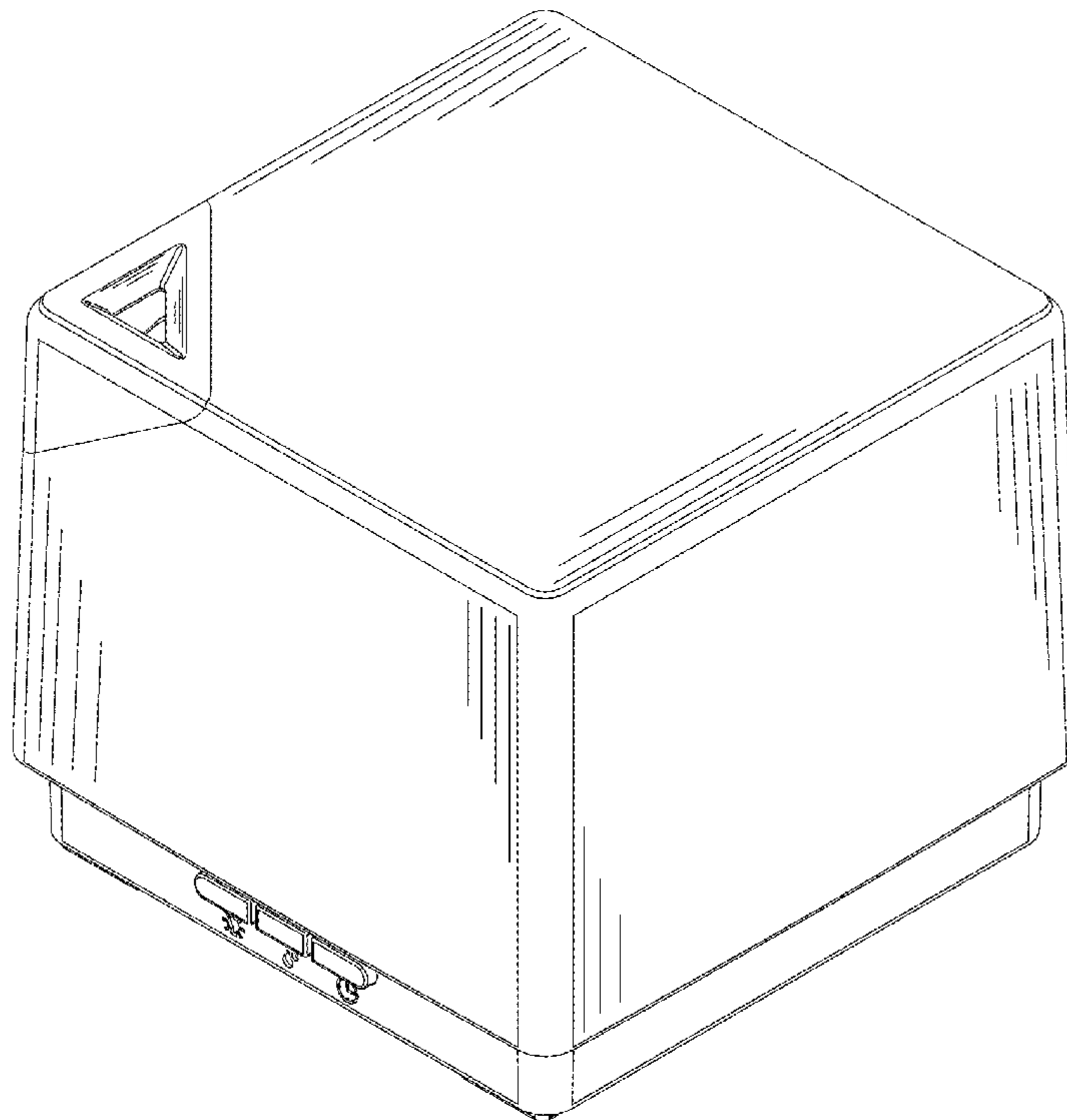
(57) **CLAIM**

The ornamental design for a humidifier with fragrance, as shown and described.

DESCRIPTION

FIG. 1 is a perspective view of a humidifier with fragrance showing my new design;
FIG. 2 is a front elevation view thereof;
FIG. 3 is a top plan view thereof;
FIG. 4 is a left side elevation view thereof;
FIG. 5 is a rear elevation view thereof. The broken lines in the drawings illustrate features that form no part of the claim;
FIG. 6 is a right side elevation view thereof; and,
FIG. 7 is a bottom plan view thereof. The broken lines in the drawings illustrate features that form no part of the claim.

1 Claim, 7 Drawing Sheets



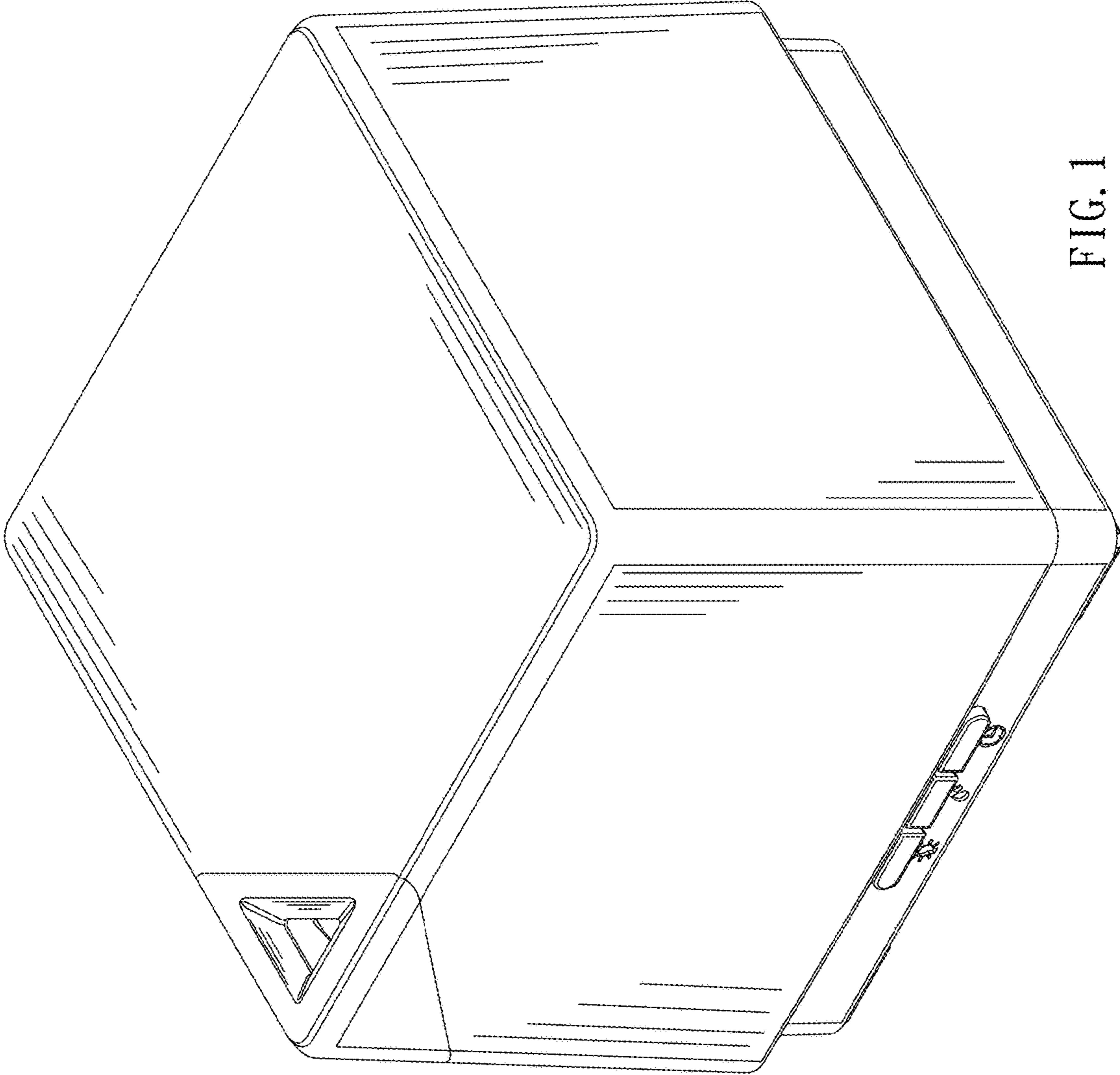


FIG. 1

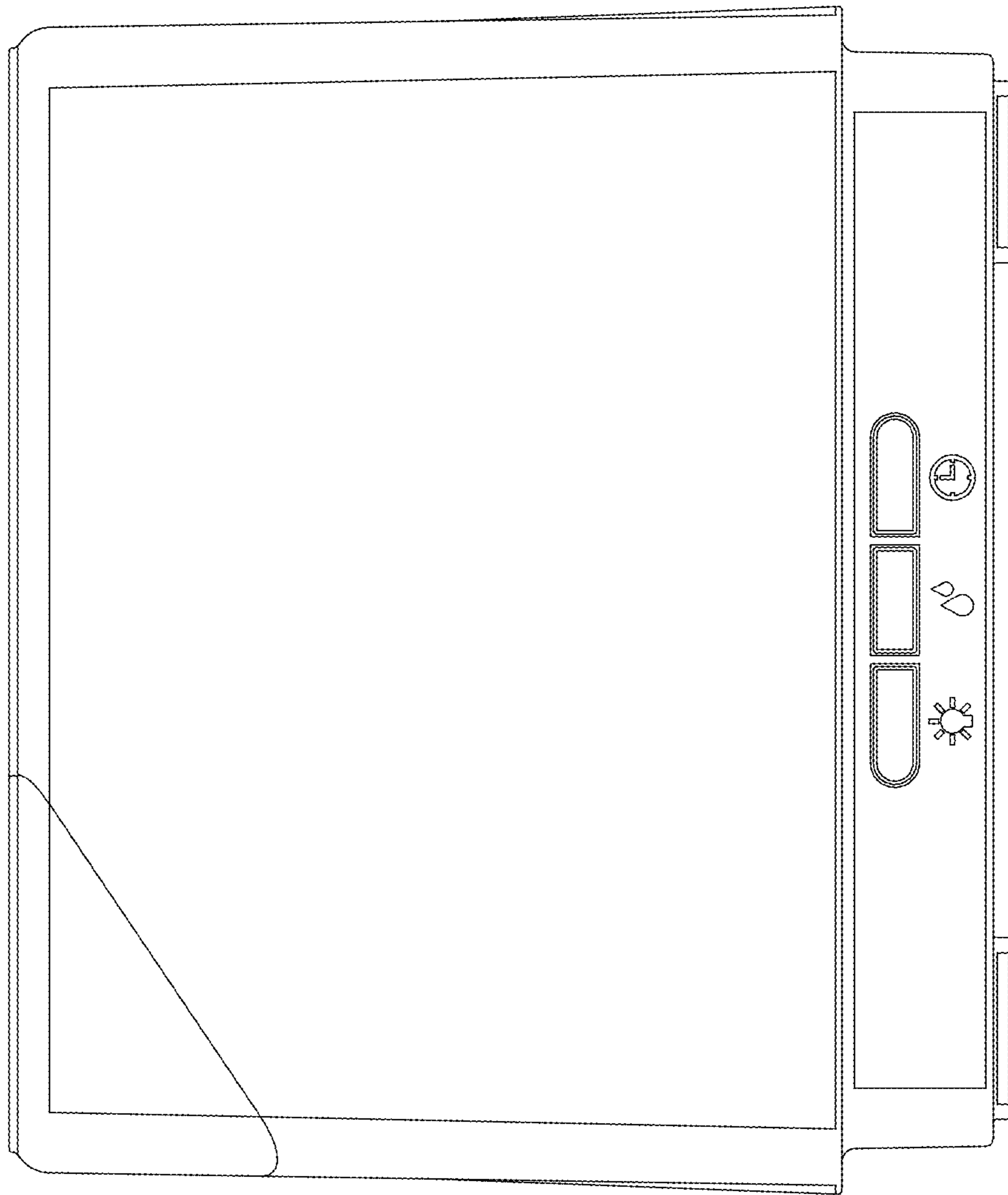


FIG. 2

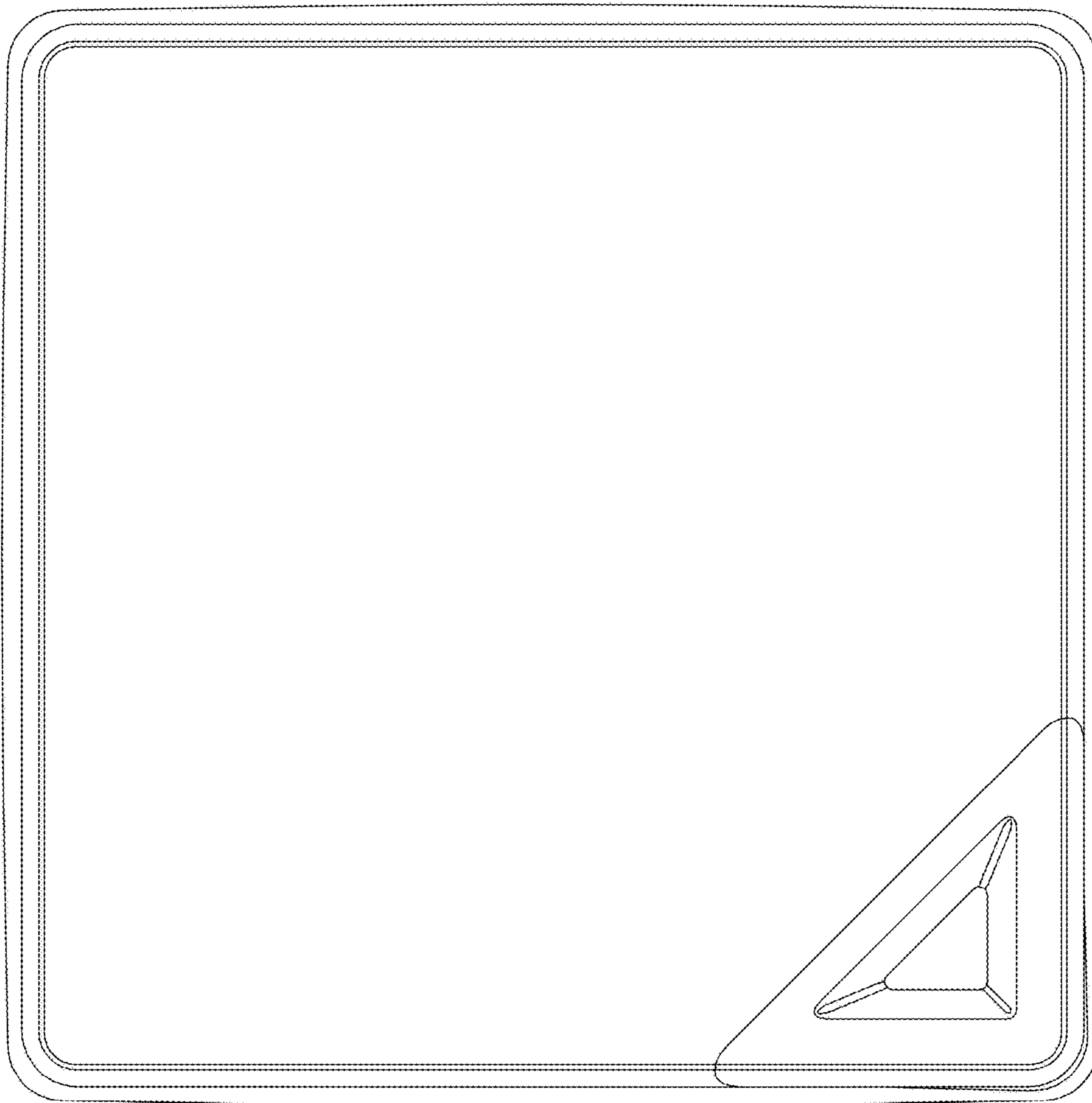


FIG. 3

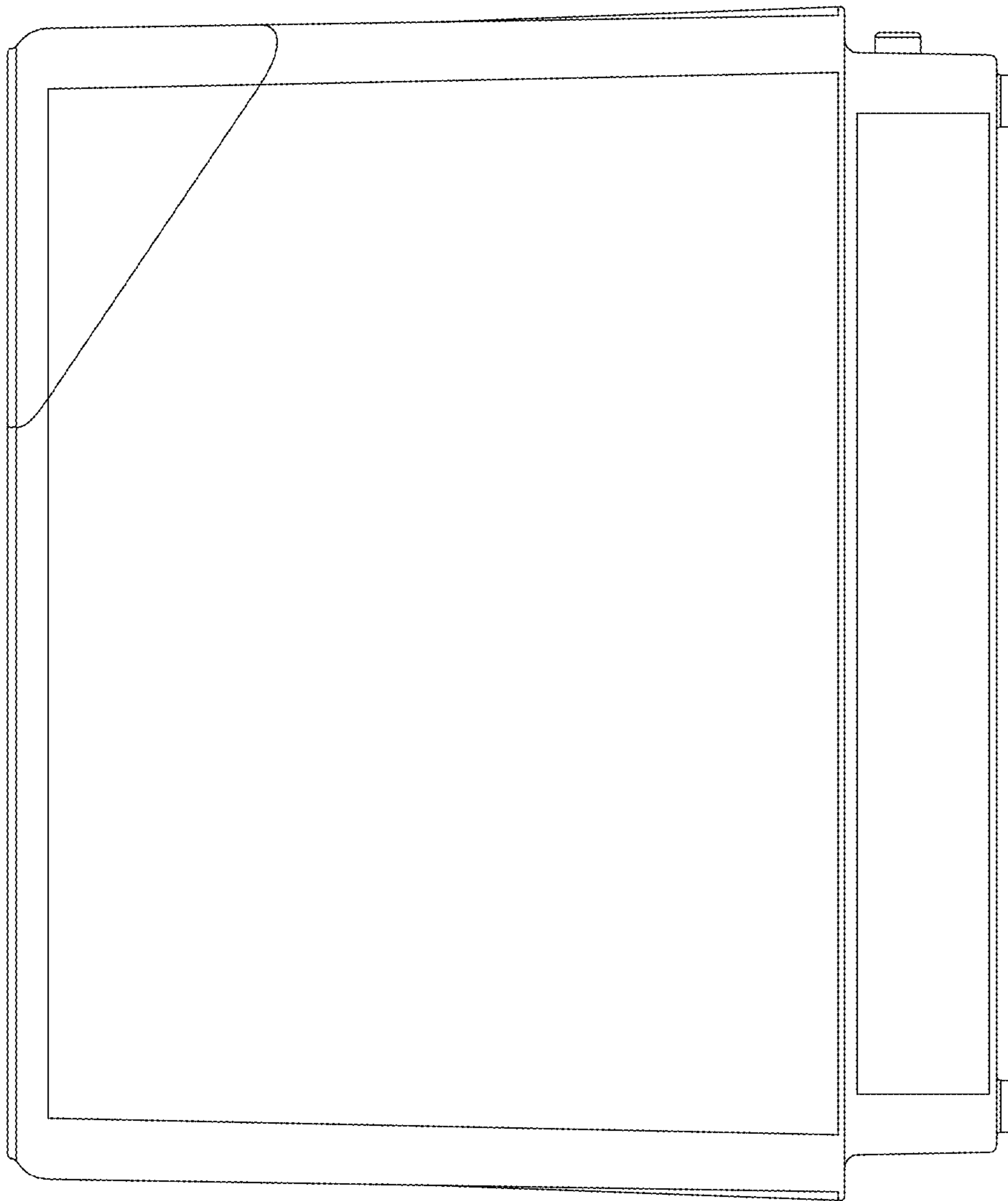


FIG. 4

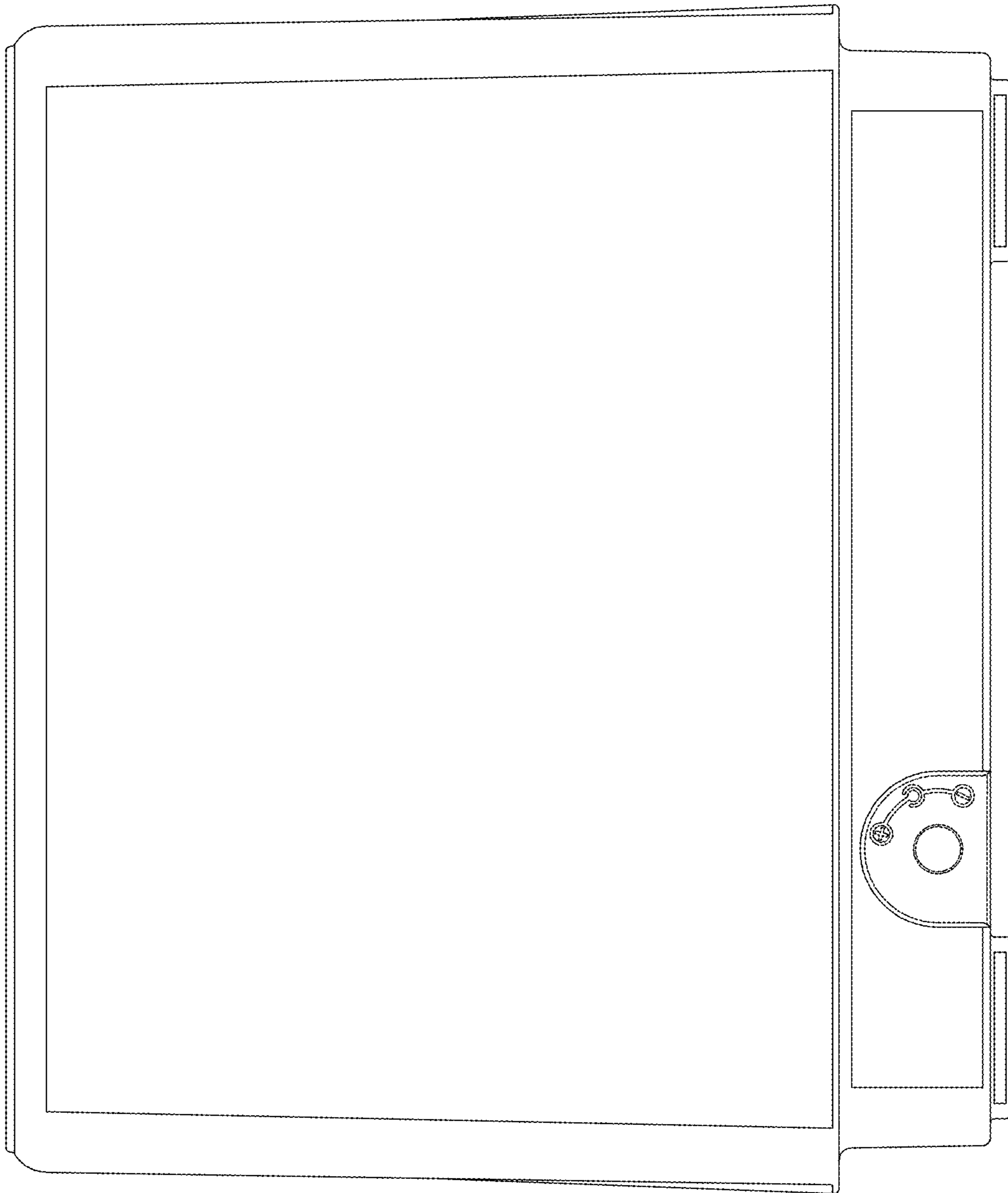


FIG. 5

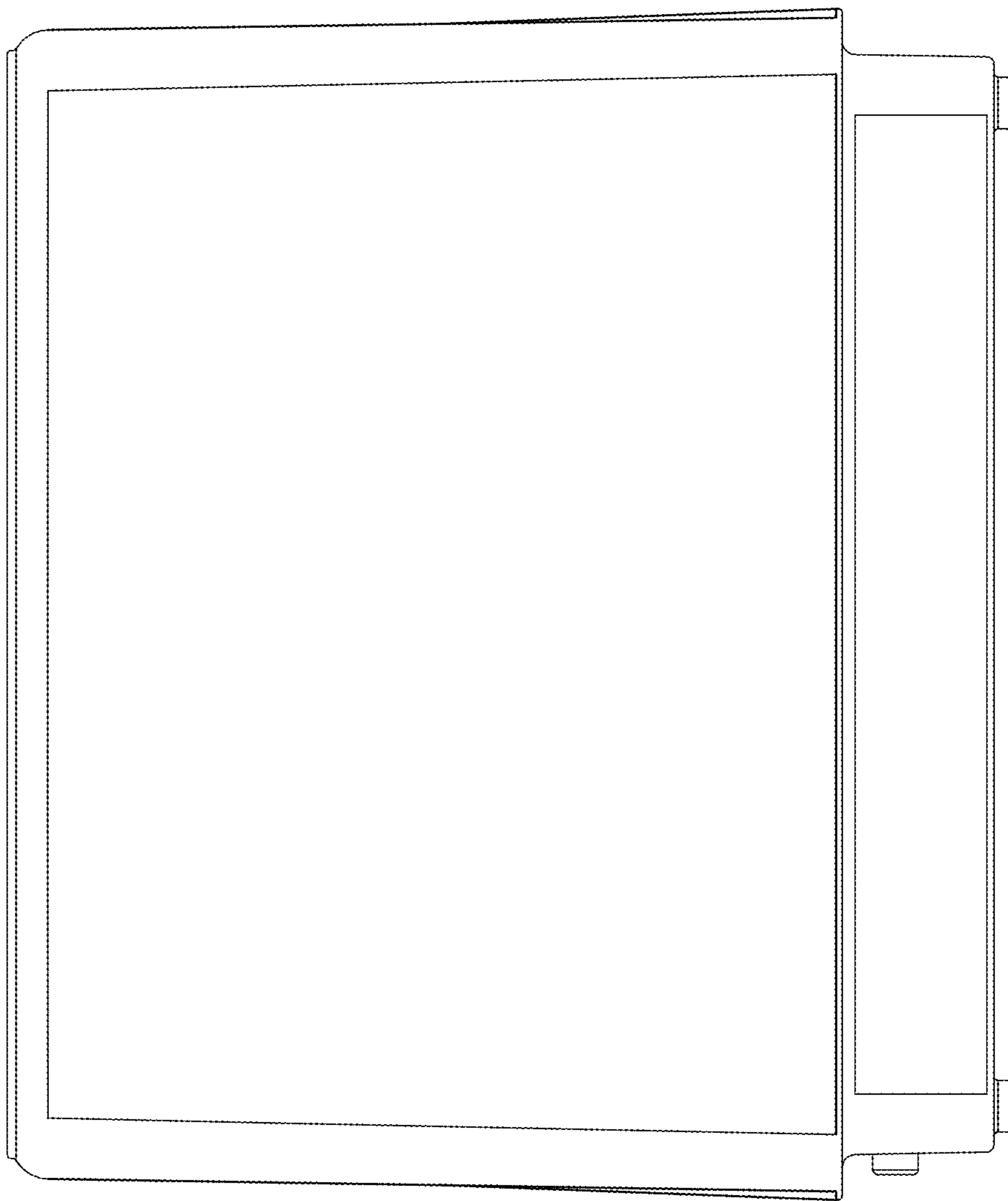


FIG. 6

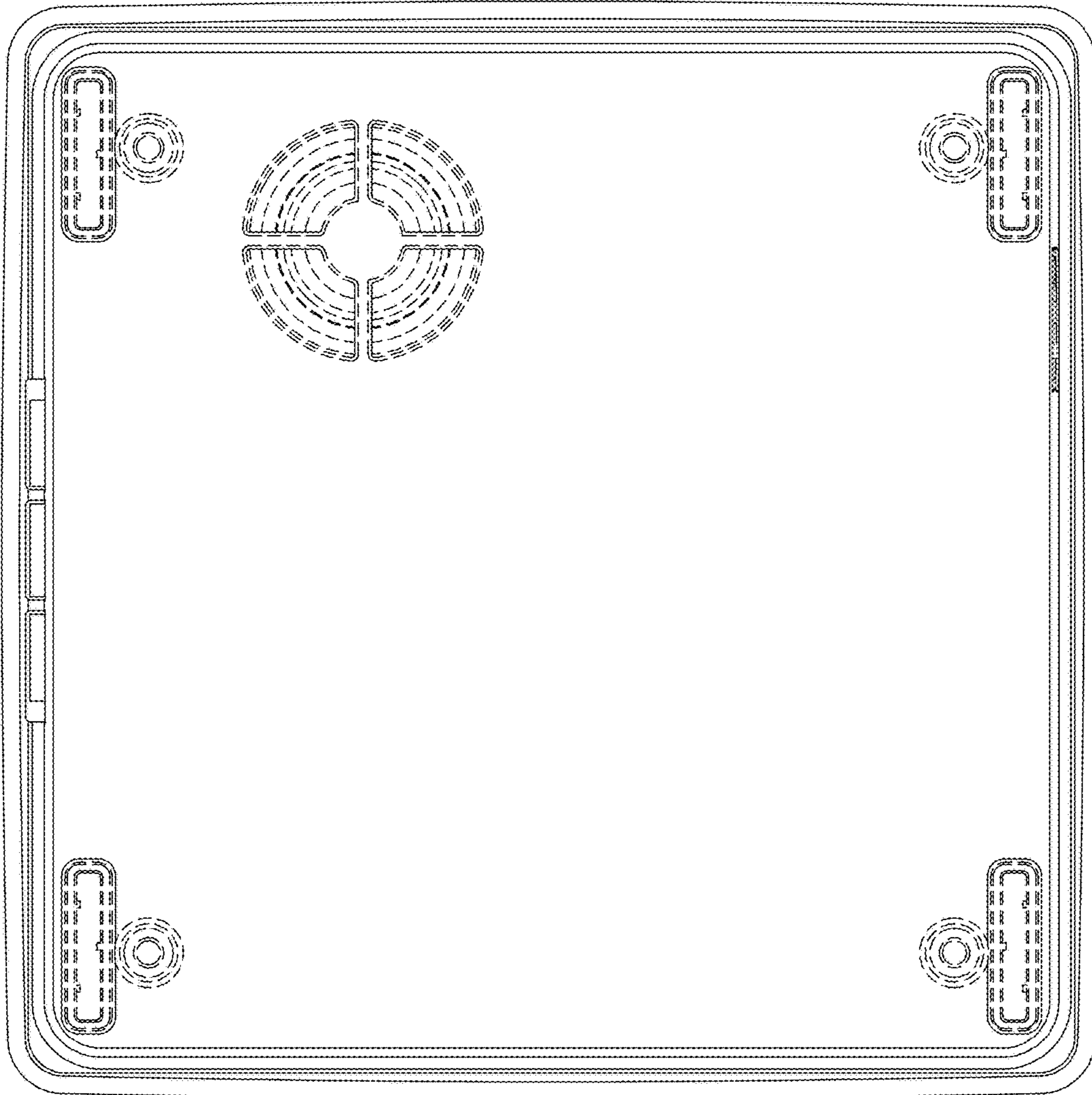


FIG. 7