



US00D822809S

(12) **United States Design Patent**  
**Niki**

(10) **Patent No.:** **US D822,809 S**

(45) **Date of Patent:** **\*\* Jul. 10, 2018**

(54) **AIR-CONDITIONER**

(71) Applicant: **Kentarou Niki**, Osaka (JP)

(72) Inventor: **Kentarou Niki**, Osaka (JP)

(73) Assignee: **DAIKIN INDUSTRIES LTD.**,  
Osaka-Shi, Osaka-Fu (JP)

(\*\*) Term: **15 Years**

(21) Appl. No.: **29/613,804**

(22) Filed: **Aug. 14, 2017**

(30) **Foreign Application Priority Data**

Mar. 24, 2017 (JP) ..... 2017-005996

(51) **LOC (11) Cl.** ..... **23-04**

(52) **U.S. Cl.**  
USPC ..... **D23/351**

(58) **Field of Classification Search**

USPC ..... D23/333, 335, 341, 342, 351, 353, 354,  
D23/355, 356, 359, 364, 365, 370, 385,  
D23/386, 388, 393

CPC .... F24F 1/00; F24F 1/0007; F24F 1/02; F24F  
1/08; F24F 1/42; F24F 1/56; F24F 1/60;  
F24F 3/044; F24F 3/048; F24F 3/16;  
F24F 7/00; F24F 7/04; F24F 12/001;  
F24F 12/006

See application file for complete search history.

(56) **References Cited**

**U.S. PATENT DOCUMENTS**

D557,781 S \* 12/2007 Kim ..... D23/351  
D579,094 S \* 10/2008 Motonishi ..... D23/351

D683,837 S \* 6/2013 Kim ..... D23/351  
D706,404 S \* 6/2014 Tsuji ..... D23/351  
D709,170 S \* 7/2014 Tsuji ..... D23/351  
D720,443 S \* 12/2014 Kosuge ..... D23/351  
D724,715 S \* 3/2015 Isshiki ..... D23/351  
D763,422 S \* 8/2016 Ueno ..... D23/351  
D764,038 S \* 8/2016 Niki ..... D23/351  
D767,749 S \* 9/2016 Nakai ..... D23/388  
D768,273 S \* 10/2016 Niki ..... D23/351  
D768,274 S \* 10/2016 Niki ..... D23/351  
D768,275 S \* 10/2016 Niki ..... D23/351  
D792,956 S \* 7/2017 Niki ..... D23/351

\* cited by examiner

*Primary Examiner* — George D Kirschbaum

*Assistant Examiner* — Natasha Vujcic

(74) *Attorney, Agent, or Firm* — Manabu Kanesaka

(57) **CLAIM**

The ornamental design for air-conditioner, as shown and described.

**DESCRIPTION**

FIG. 1 is a perspective view of an air-conditioner showing my new design;

FIG. 2 is a front view thereof;

FIG. 3 is a rear view thereof;

FIG. 4 is a plan view thereof;

FIG. 5 is a bottom view thereof;

FIG. 6 is a left side view thereof;

FIG. 7 is a right side view thereof; and,

FIG. 8 is a cross-sectional view thereof along the line 8-8 in FIG. 2.

The broken lines depict portions of the air-conditioner that form no part of claimed design.

**1 Claim, 3 Drawing Sheets**

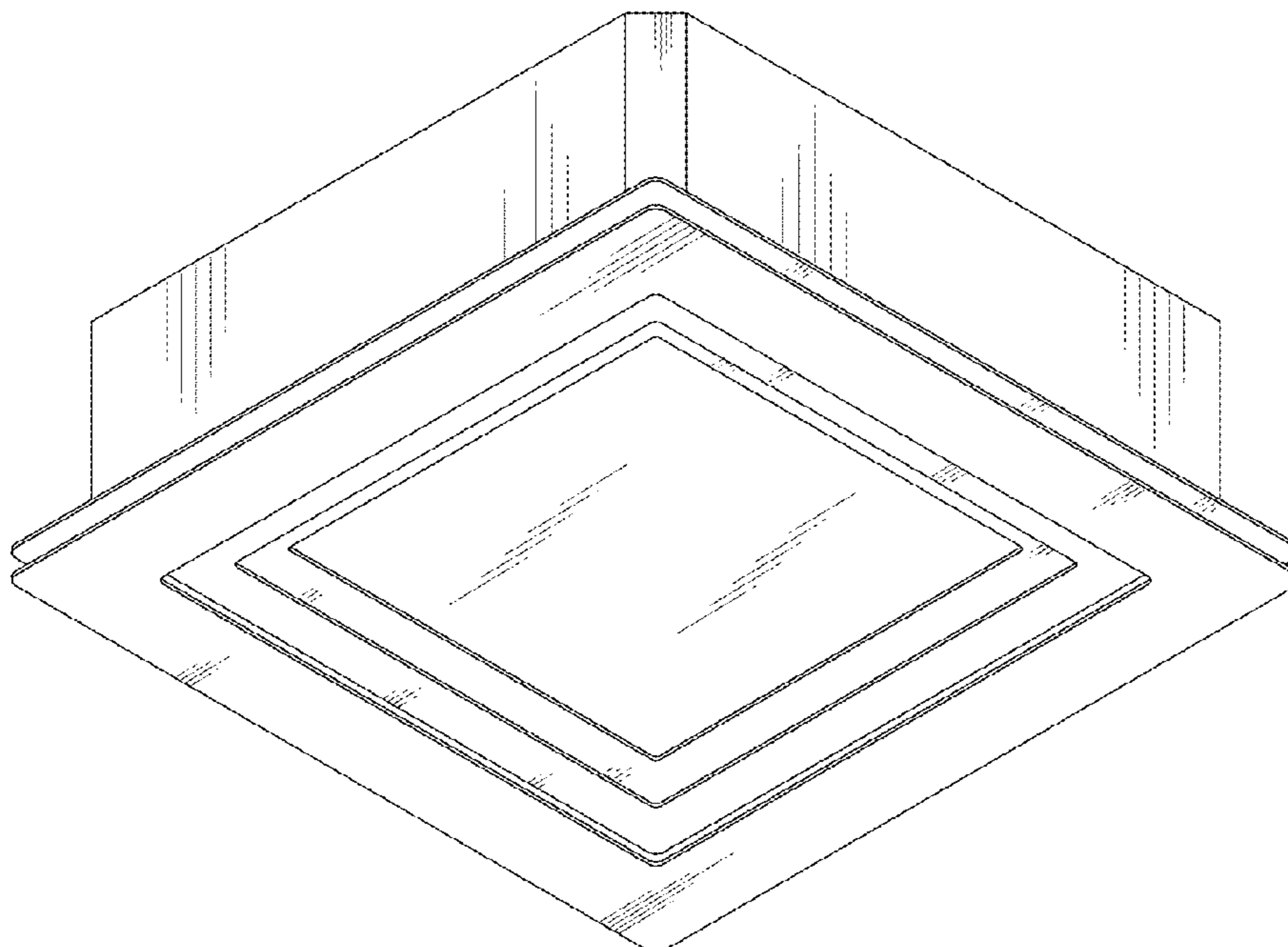


Fig.1

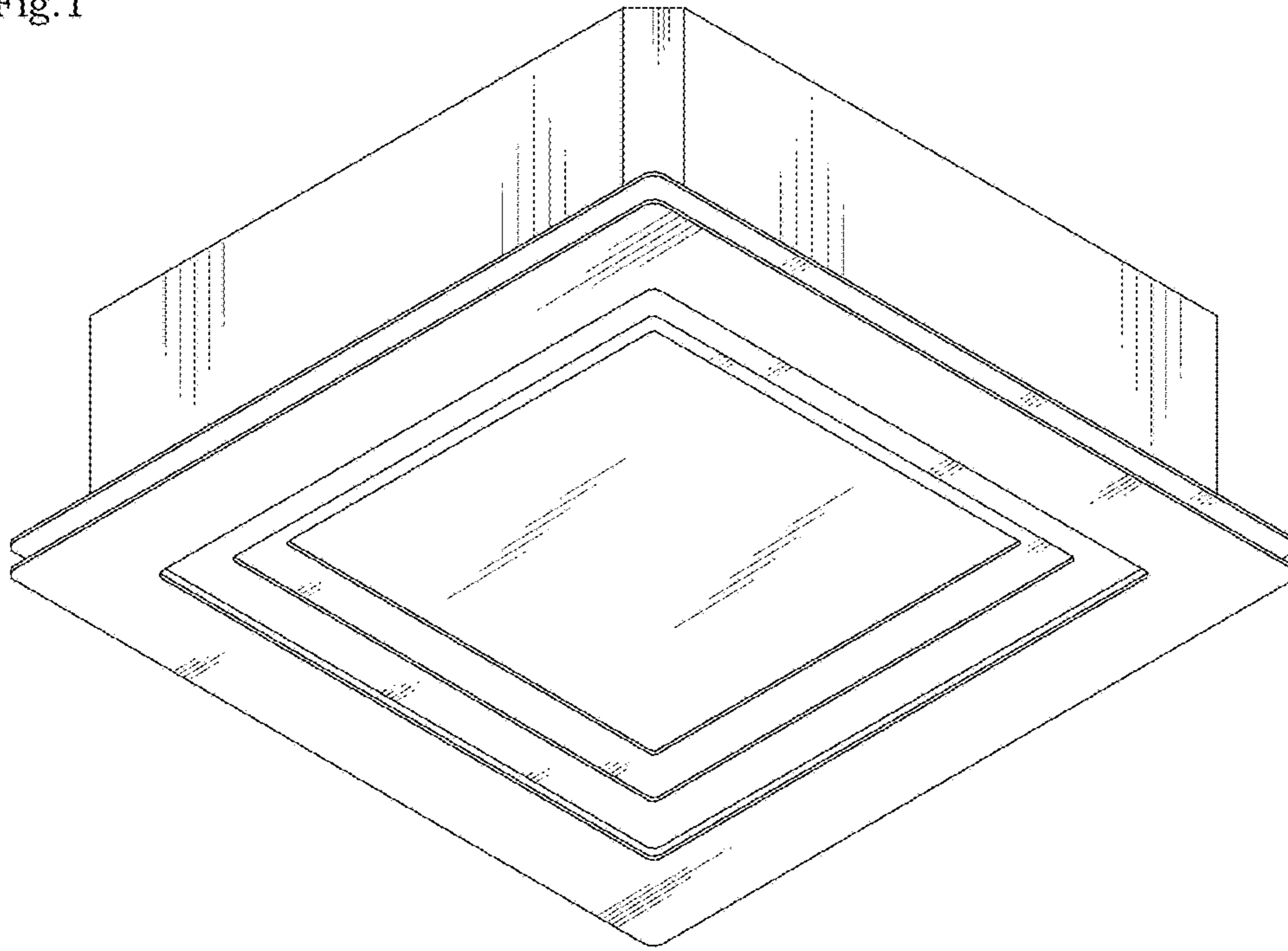


Fig.2

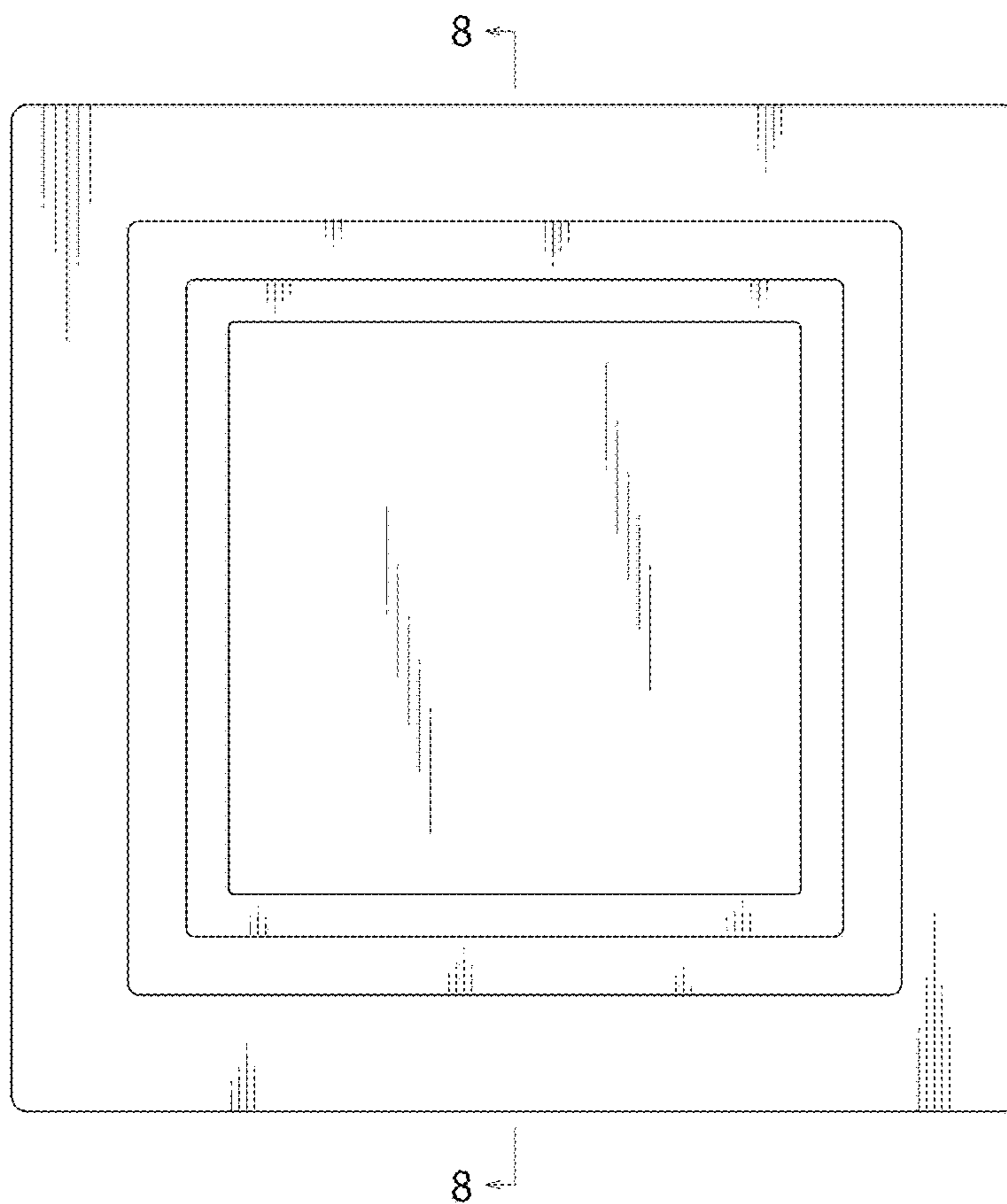


Fig.3

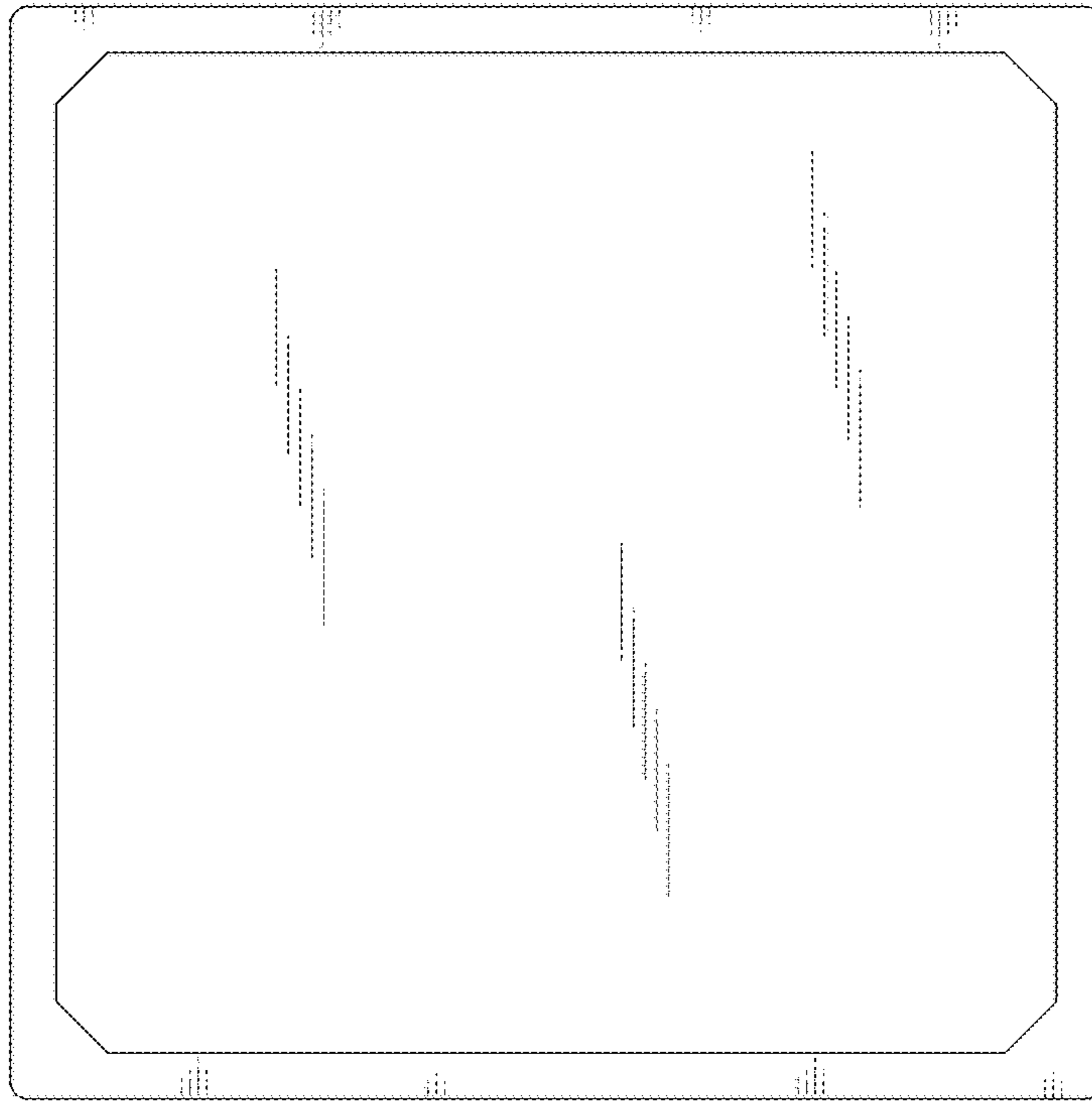


Fig.4

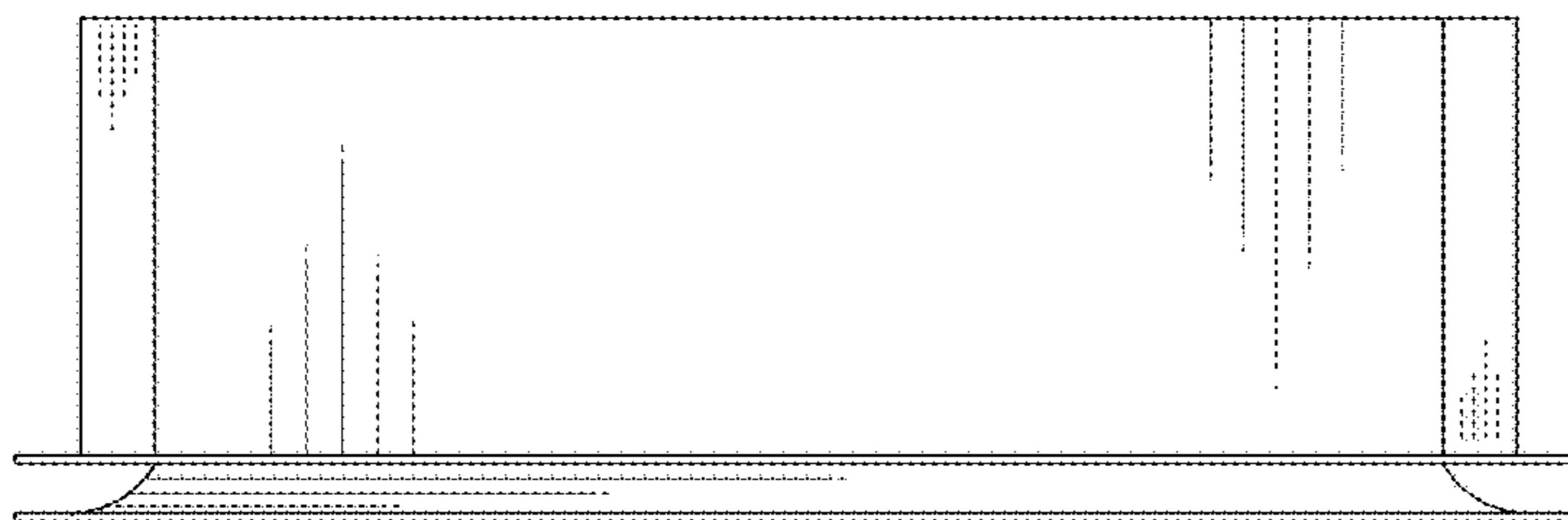


Fig.5

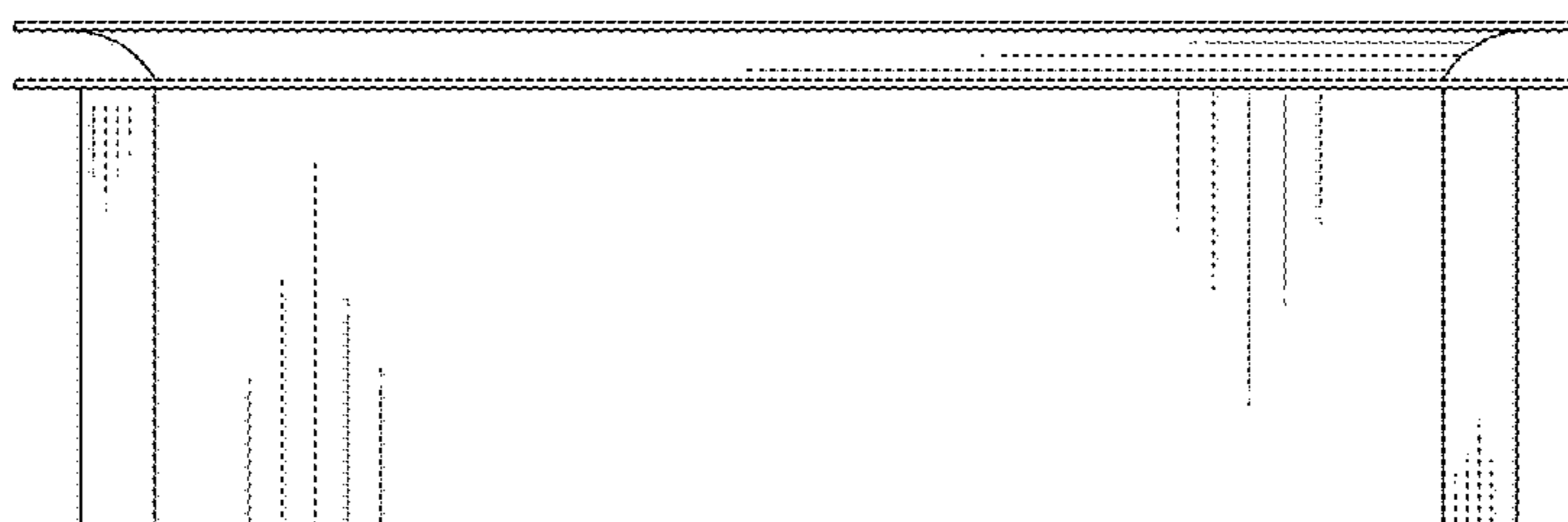


Fig.6

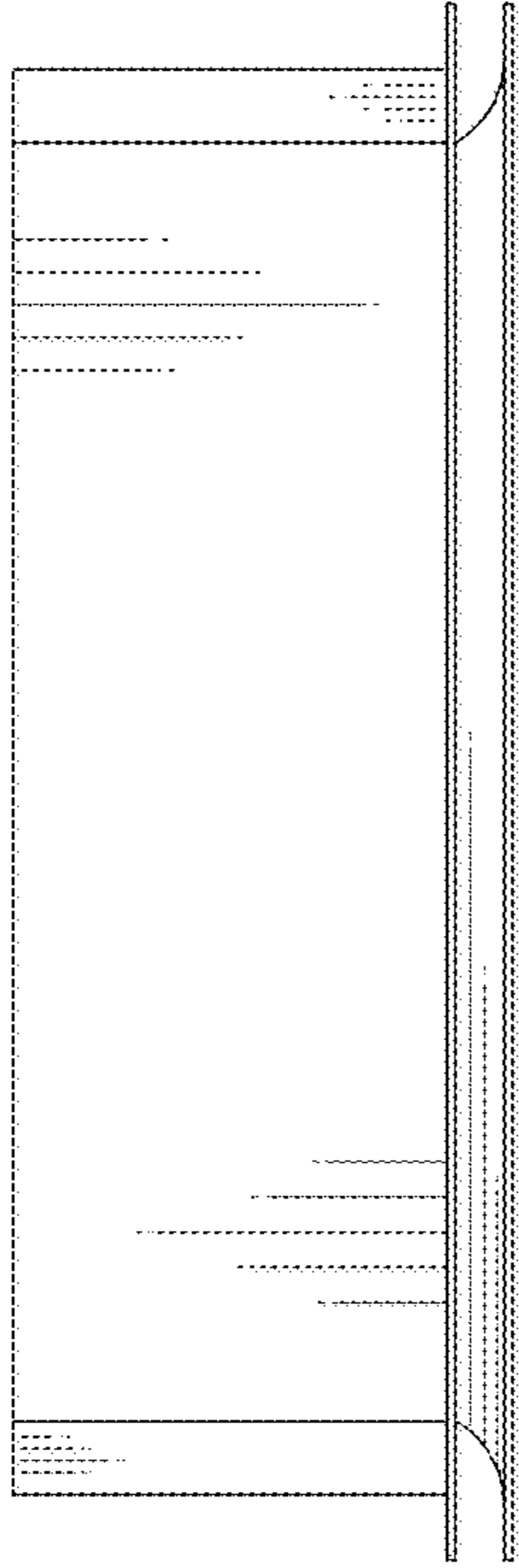


Fig.7

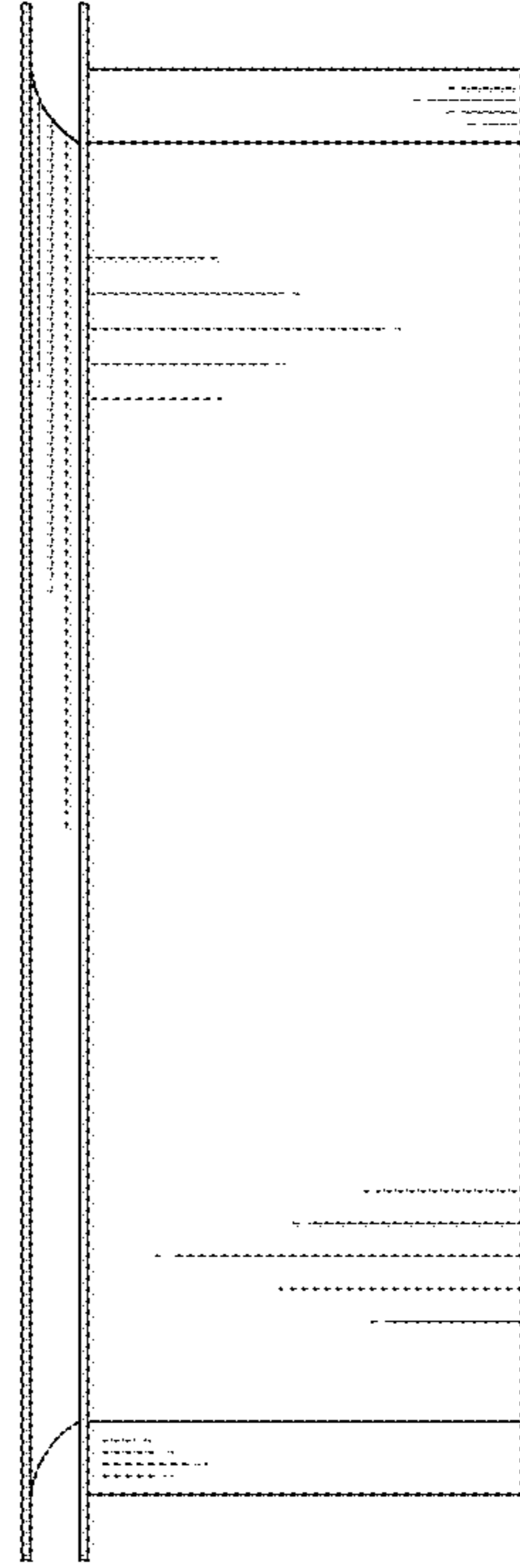


Fig.8

