



US00D822805S

(12) **United States Design Patent**  
**Ediger et al.**

(10) **Patent No.:** **US D822,805 S**  
(45) **Date of Patent:** **\*\* Jul. 10, 2018**

(54) **HEATER FRONT FACE**  
(71) Applicant: **Vornado Air, LLC**, Andover, KS (US)  
(72) Inventors: **Glen W. Ediger**, North Newton, KS (US); **Gary Israel**, Andover, KS (US)

D597,640 S \* 8/2009 Israel ..... D23/335  
D597,641 S \* 8/2009 Israel ..... D23/335  
D626,641 S \* 11/2010 Ediger ..... D23/335  
D636,858 S \* 4/2011 Ediger ..... D23/335  
D654,578 S \* 2/2012 Ediger ..... D23/342  
D761,944 S \* 7/2016 Ediger ..... D23/332

(73) Assignee: **Vornado Air, LLC**, Andover, KS (US)

\* cited by examiner

(\*\*) Term: **15 Years**

*Primary Examiner* — T. Chase Nelson  
*Assistant Examiner* — Ania Aman

(21) Appl. No.: **29/607,220**

(74) *Attorney, Agent, or Firm* — Milligan PC LLC

(22) Filed: **Jun. 12, 2017**

(51) **LOC (11) Cl.** ..... **23-03**

(52) **U.S. Cl.**

USPC ..... **D23/332**

(58) **Field of Classification Search**

USPC ..... D23/314, 317, 329, 330, 331, 332, 334,  
D23/335, 336, 337, 338, 339, 340, 342,  
D23/352, 351, 355, 356, 357, 359, 360,  
D23/361, 362, 364, 366, 370, 396, 378,  
D23/381, 382, 385

CPC . F04D 5/00; F04D 25/10; F04D 25/08; F04D  
17/04; F24H 3/00; F24H 3/0411; F24H  
3/0417; F24H 9/02

See application file for complete search history.

(56) **References Cited**

U.S. PATENT DOCUMENTS

D441,065 S \* 4/2001 Ediger ..... D23/328  
D499,472 S \* 12/2004 Ching ..... D23/332

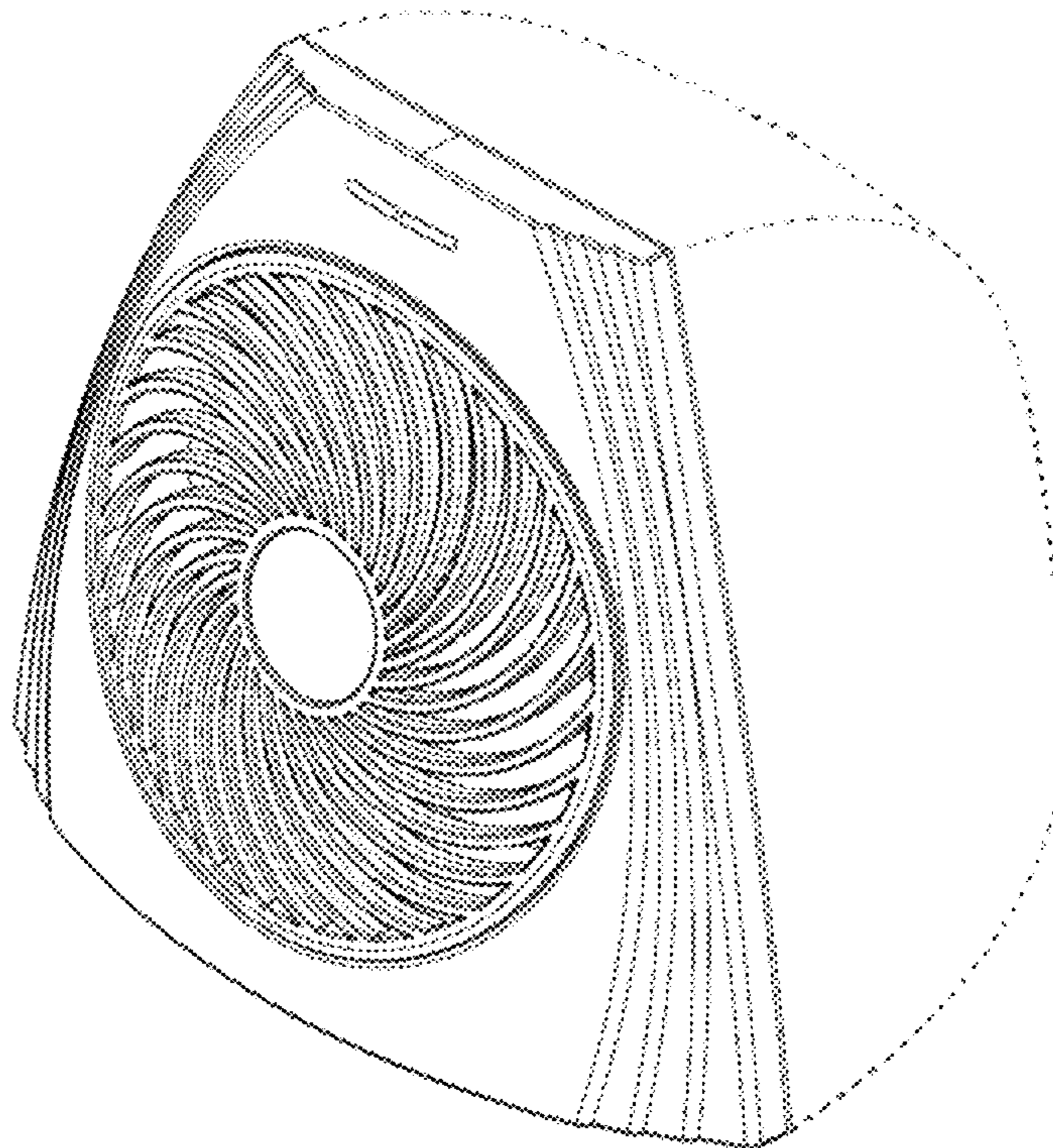
(57) **CLAIM**

The ornamental design for a heater front face, as shown and described.

**DESCRIPTION**

FIG. 1 is a front, left, top perspective view of a heater front face in accordance with the present invention; FIG. 2 is a top plan view thereof; FIG. 3 is a front elevation view thereof; and, FIG. 4 is a right elevation view thereof. In the drawings, the broken lines in FIGS. 1-4 depict portions of the design that form no part of the claim.

**1 Claim, 4 Drawing Sheets**



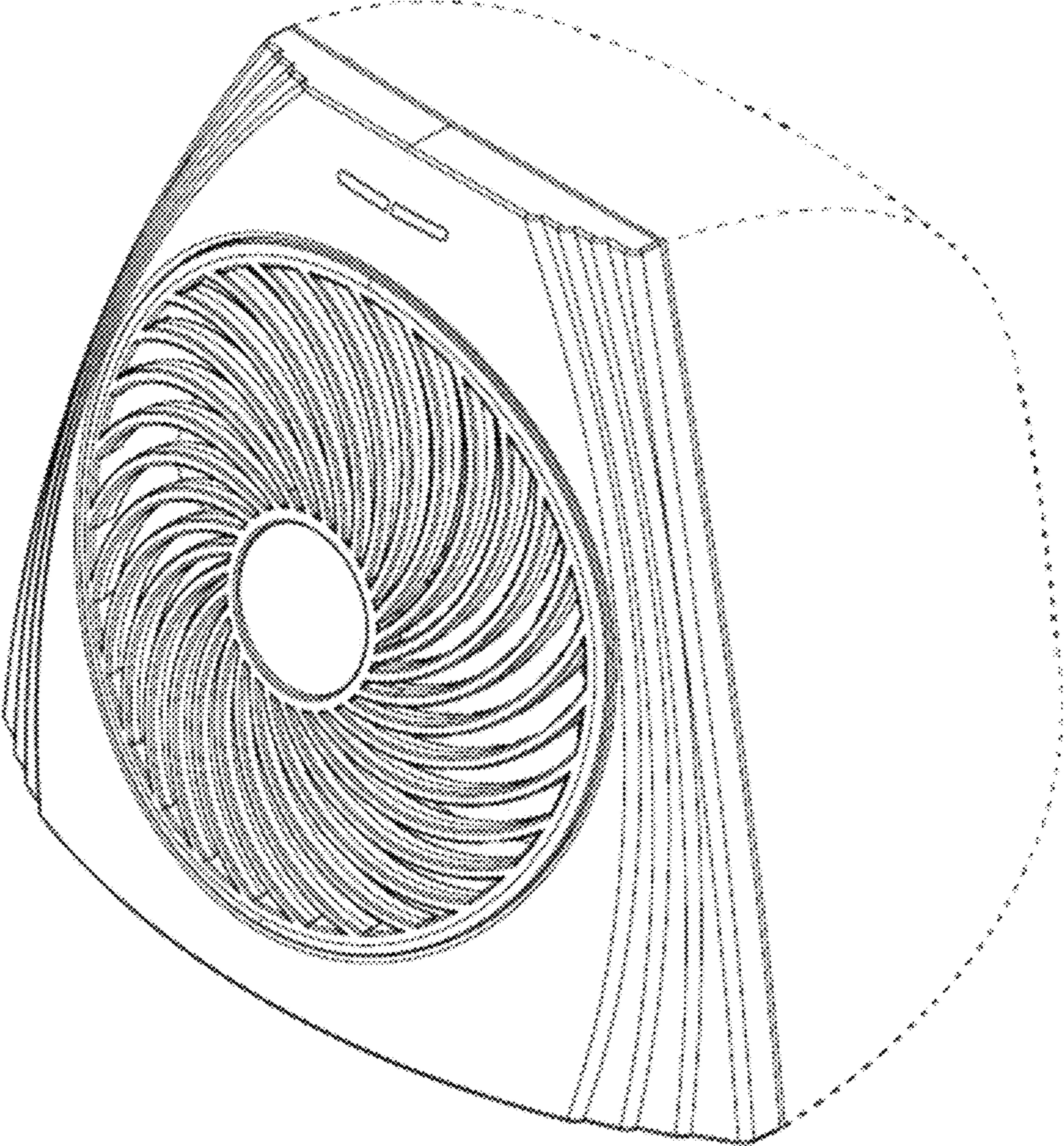


FIG. 1

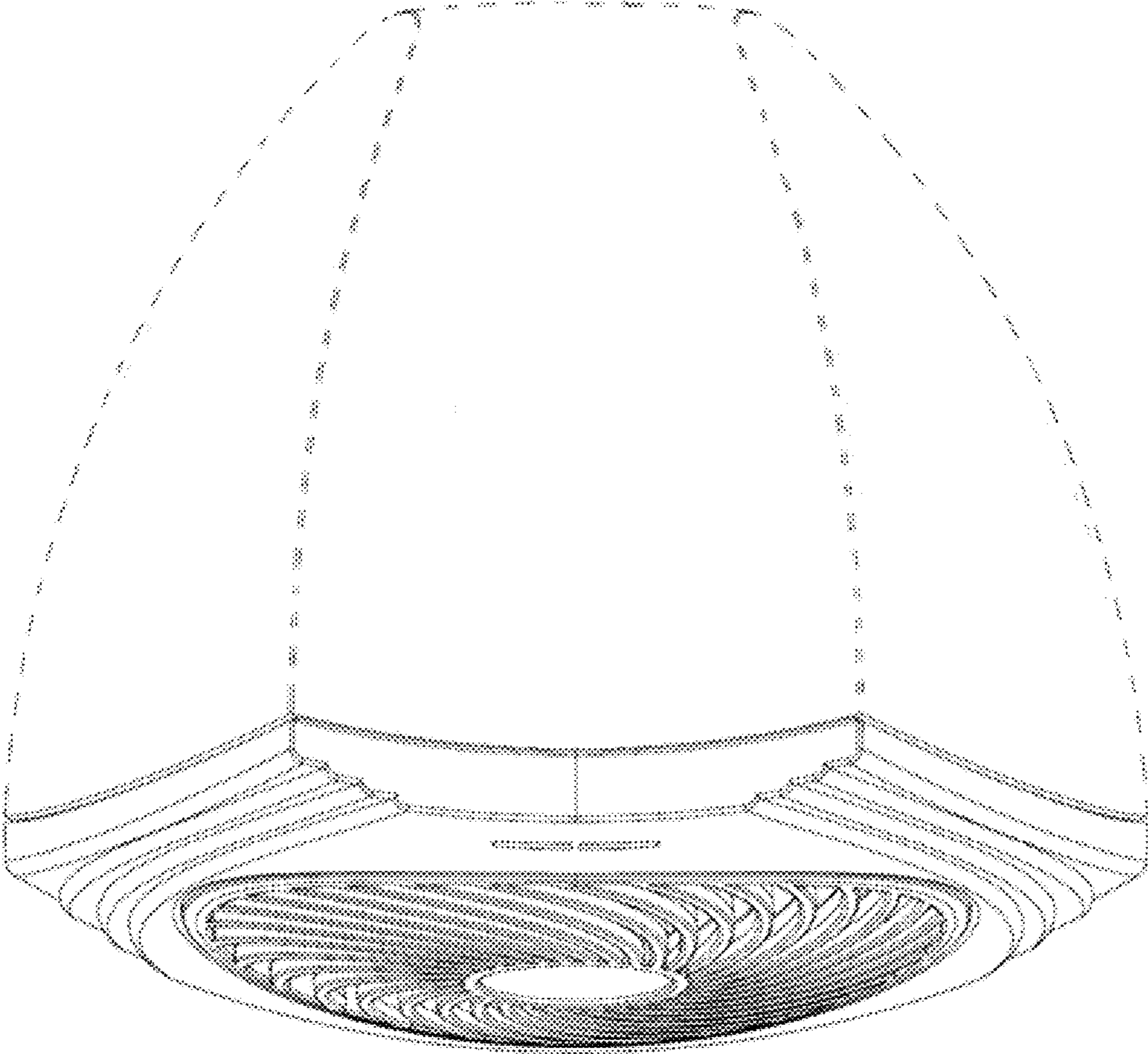


FIG. 2

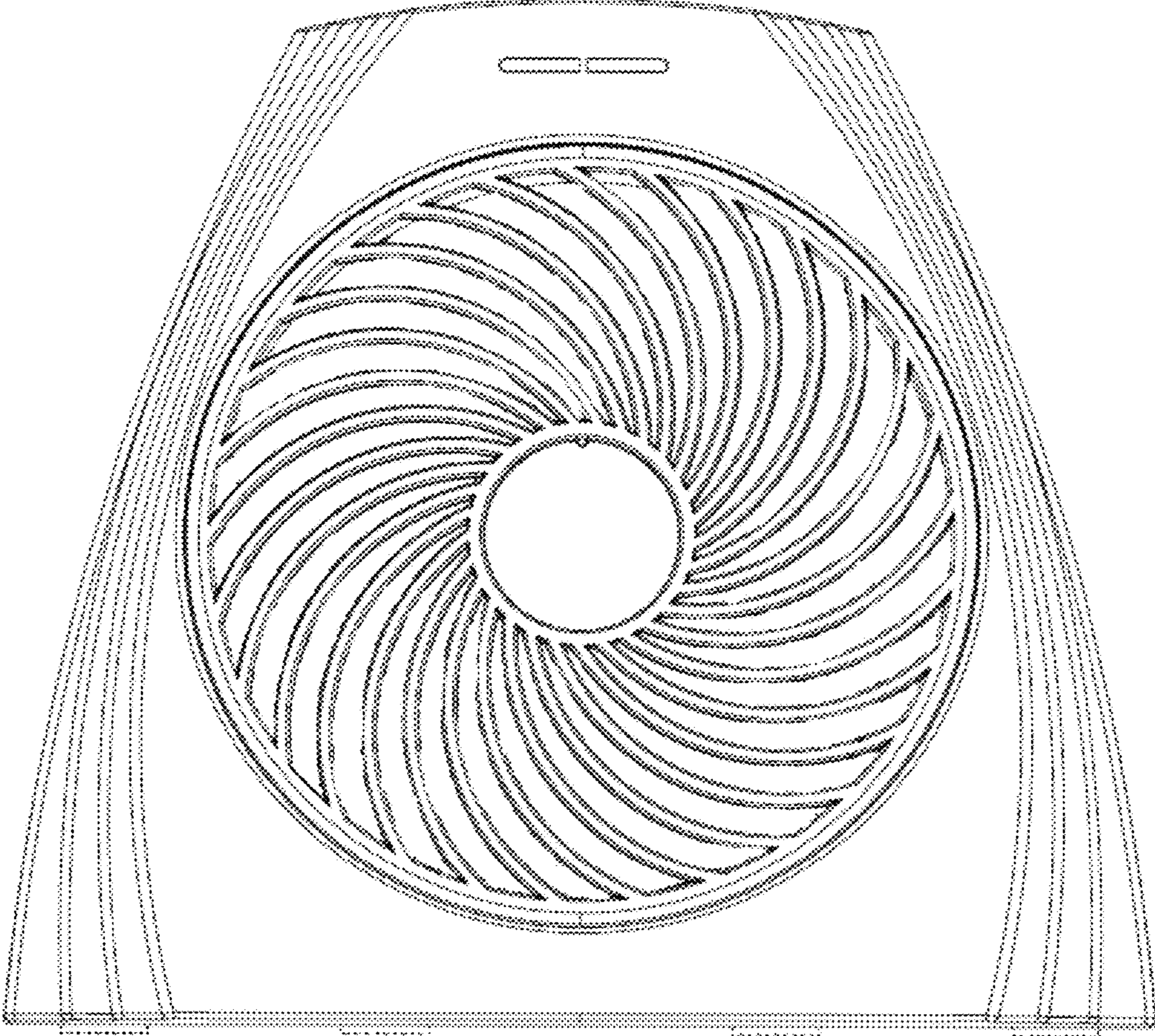


FIG. 3

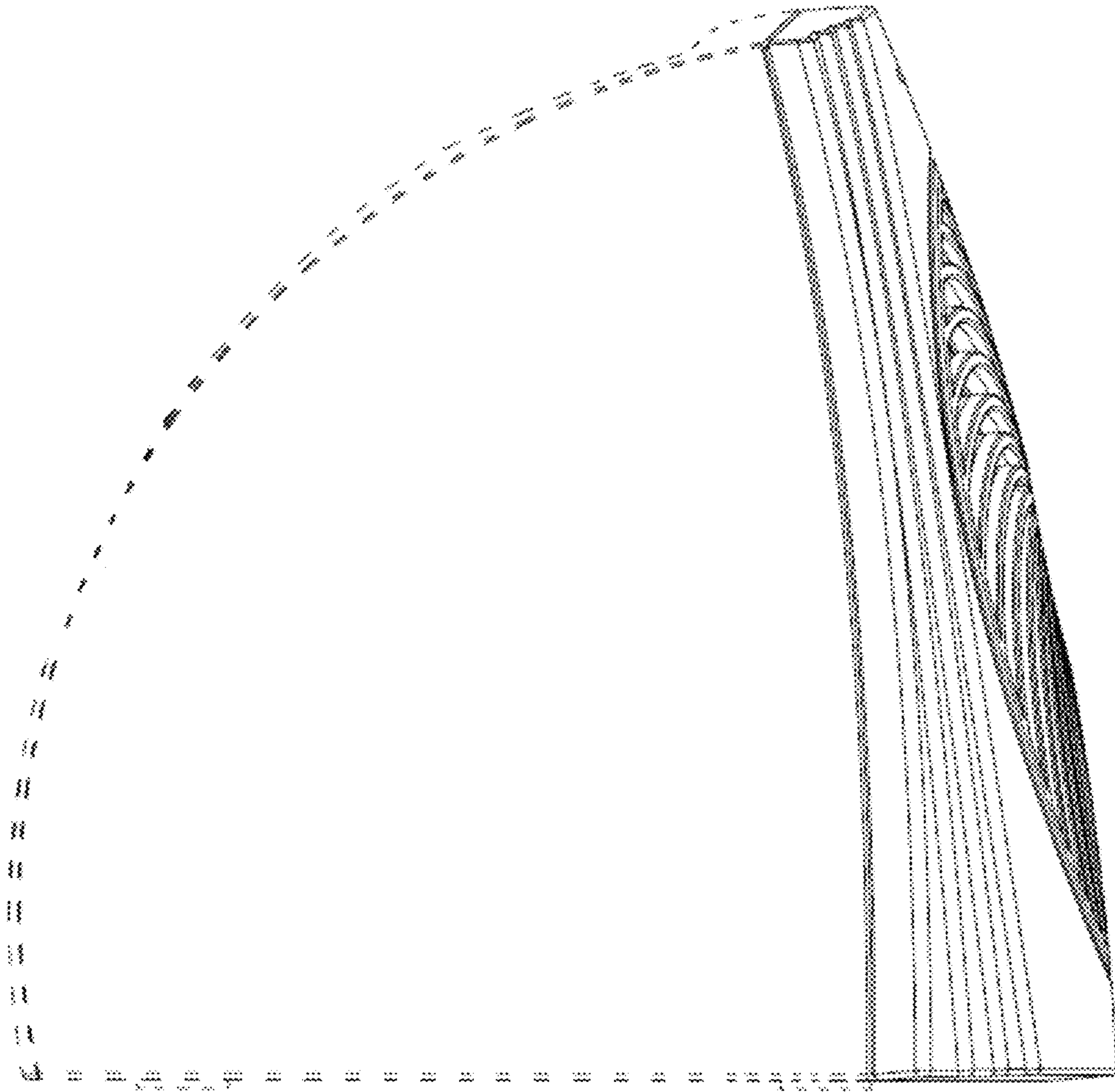


FIG. 4