



US00D822802S

(12) **United States Design Patent**
Karabacak

(10) **Patent No.:** **US D822,802 S**
(45) **Date of Patent:** **** Jul. 10, 2018**

- (54) **ROOF GUTTER COVER**
- (71) Applicant: **Art of Gutter Inc.**, Clifton, NJ (US)
- (72) Inventor: **Adnan Karabacak**, Clifton, NJ (US)
- (**) Term: **15 Years**
- (21) Appl. No.: **29/605,469**
- (22) Filed: **May 26, 2017**
- (51) **LOC (11) Cl.** **23-01**
- (52) **U.S. Cl.**
USPC **D23/267**
- (58) **Field of Classification Search**
USPC D23/259-269; 52/11-12, 13, 14, 15, 24,
52/25, 302.3, 302.7; 248/48.1-48.2;
D25/136, 138, 141-142, 164
CPC . E04D 13/0767; E04D 13/072; E04D 13/076;
E04D 13/064; E04D 13/08
See application file for complete search history.

- 9,010,030 B2 * 4/2015 Davis E04D 13/076
52/11
- 9,394,694 B2 7/2016 Iannelli
- D770,602 S * 11/2016 Ealer, Sr. D23/267
- D781,403 S * 3/2017 Jordan D23/267
- D782,624 S * 3/2017 Haendel D23/267
- 2008/0134587 A1 * 6/2008 Ealer E04D 13/076
52/12
- 2008/0276546 A1 11/2008 Etheredge
- 2010/0287846 A1 * 11/2010 Lenney E04D 13/0762
52/12
- 2011/0185641 A1 * 8/2011 Snell E04D 13/076
52/12
- 2016/0060870 A1 3/2016 Martin

* cited by examiner

Primary Examiner — Eric L Goodman

Assistant Examiner — Amy C Wierenga

(74) *Attorney, Agent, or Firm* — Michael J. Feigin, Esq.;
Feigin and Fridman

(57) **CLAIM**

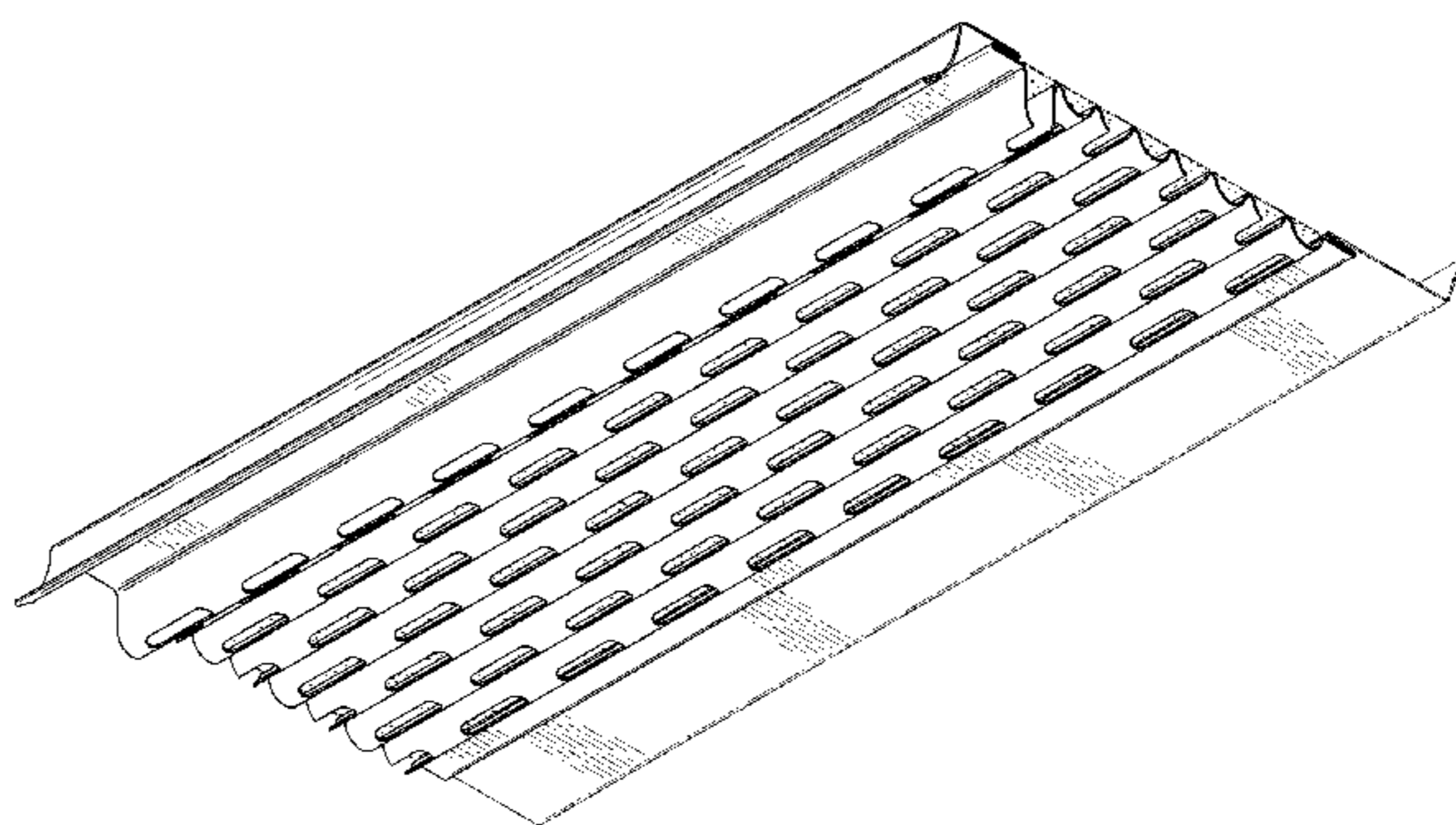
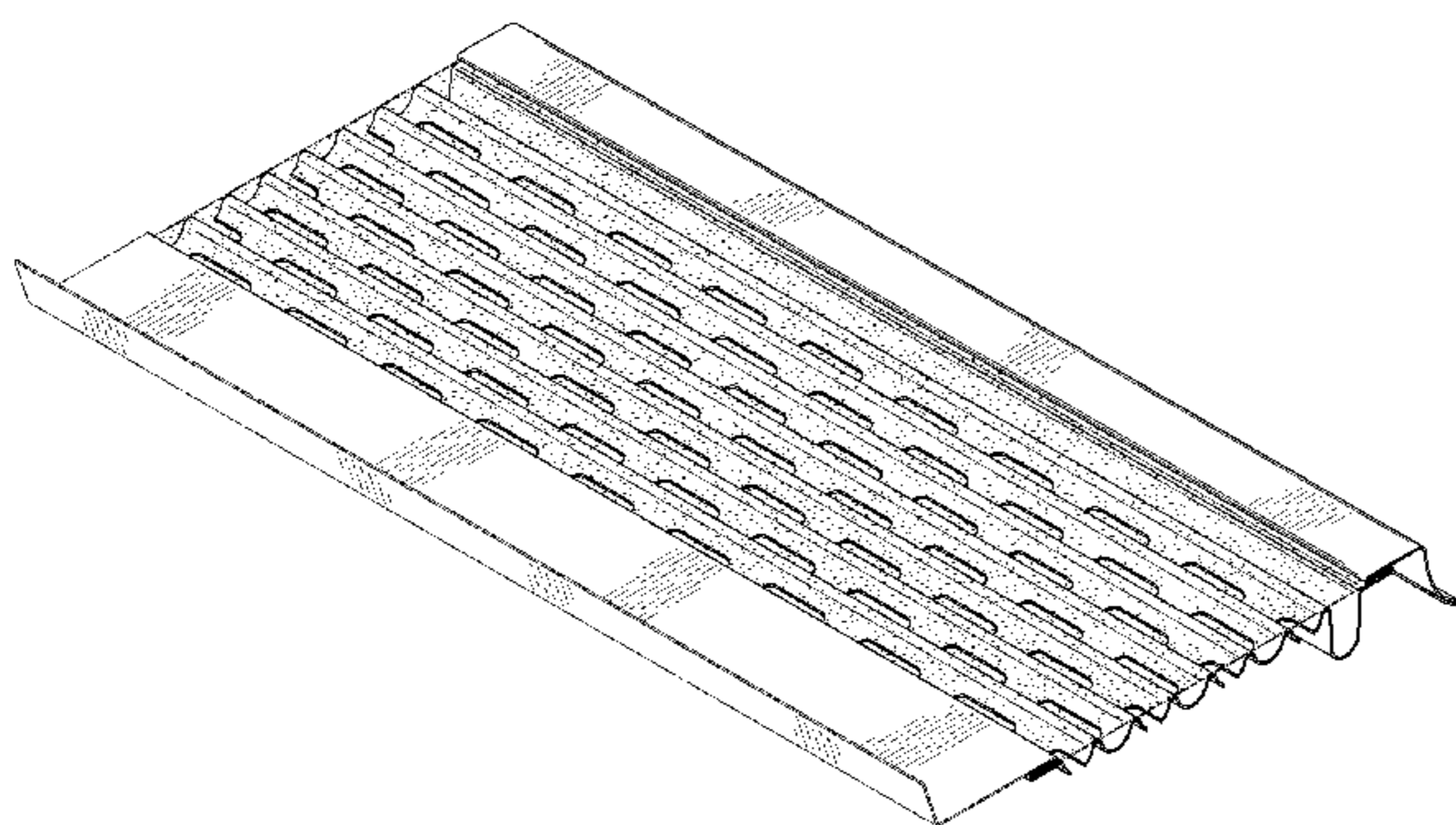
The ornamental design for a roof gutter cover, as shown and described.

DESCRIPTION

FIG. 1 shows a top and side perspective view of a roof gutter cover.
 FIG. 2 shows a bottom and side perspective view thereof.
 FIG. 3 shows a side view thereof.
 FIG. 4 shows a reverse side view thereof.
 FIG. 5 shows a top plan view thereof.
 FIG. 6 shows a bottom plan view thereof.
 FIG. 7 shows a front view thereof; and,
 FIG. 8 shows a rear view thereof.

1 Claim, 6 Drawing Sheets

- (56) **References Cited**
U.S. PATENT DOCUMENTS
- 2,988,226 A 6/1961 Campbell
- 5,095,666 A 3/1992 Williams, Jr.
- 6,349,506 B1 2/2002 Pace et al.
- 7,191,564 B2 * 3/2007 Higginbotham E04D 13/076
210/474
- D623,279 S * 9/2010 Joly, Jr. D23/267
- 7,913,458 B2 * 3/2011 Higginbotham E04D 13/076
52/11
- 8,397,435 B2 3/2013 Iannelli
- D683,827 S * 6/2013 Ealer, Sr. D23/267
- 8,646,218 B1 2/2014 Iannelli
- D719,648 S * 12/2014 Moody D23/267



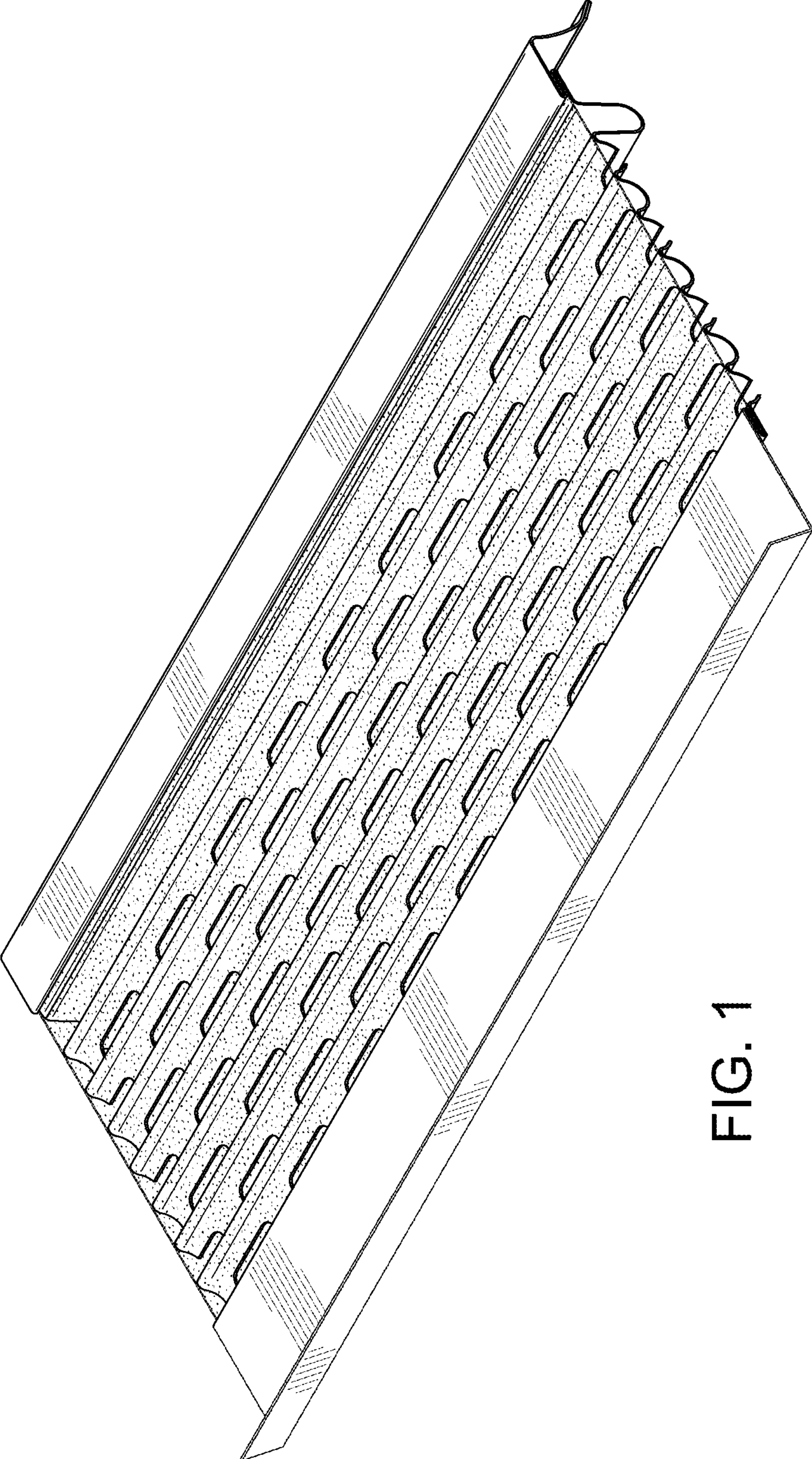


FIG. 1

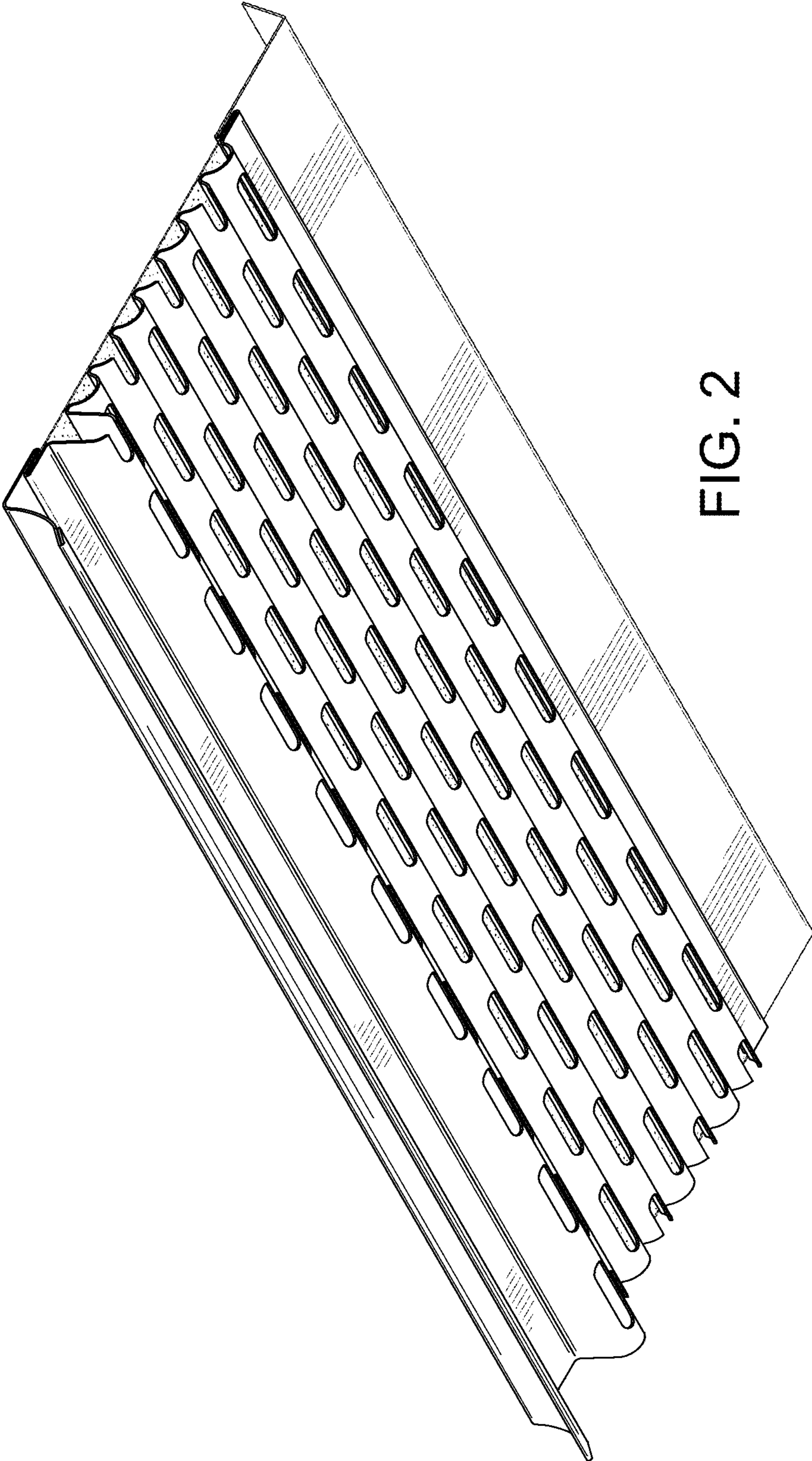


FIG. 2

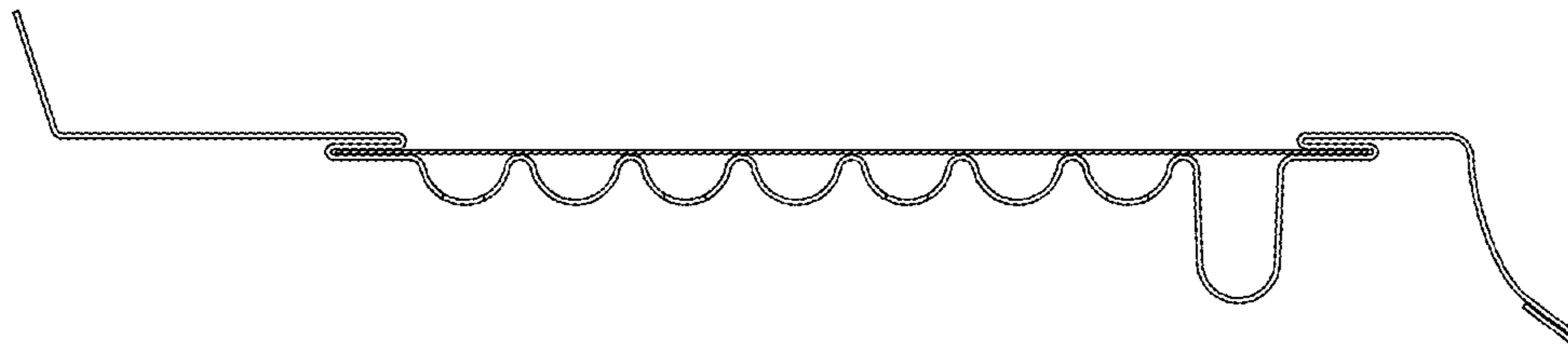


FIG. 3

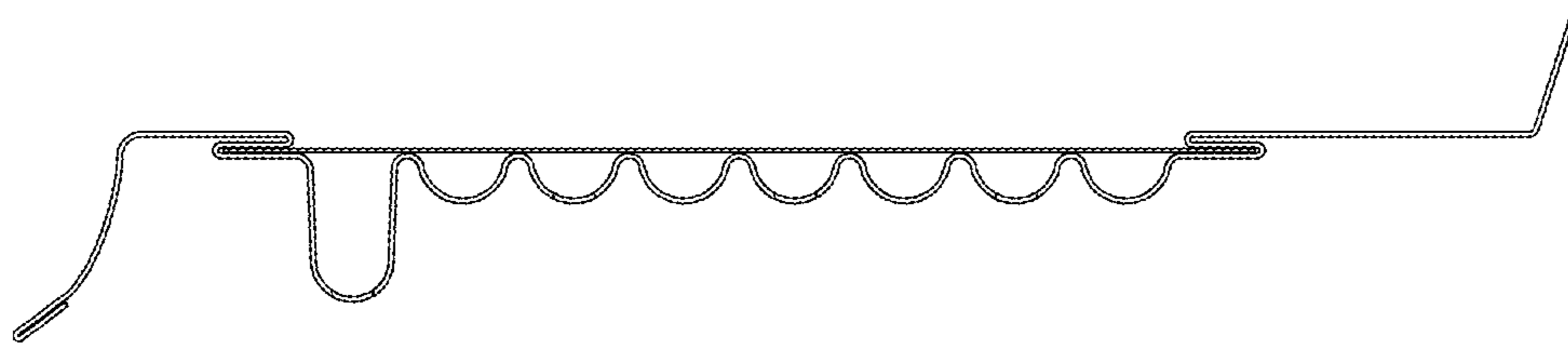


FIG. 4

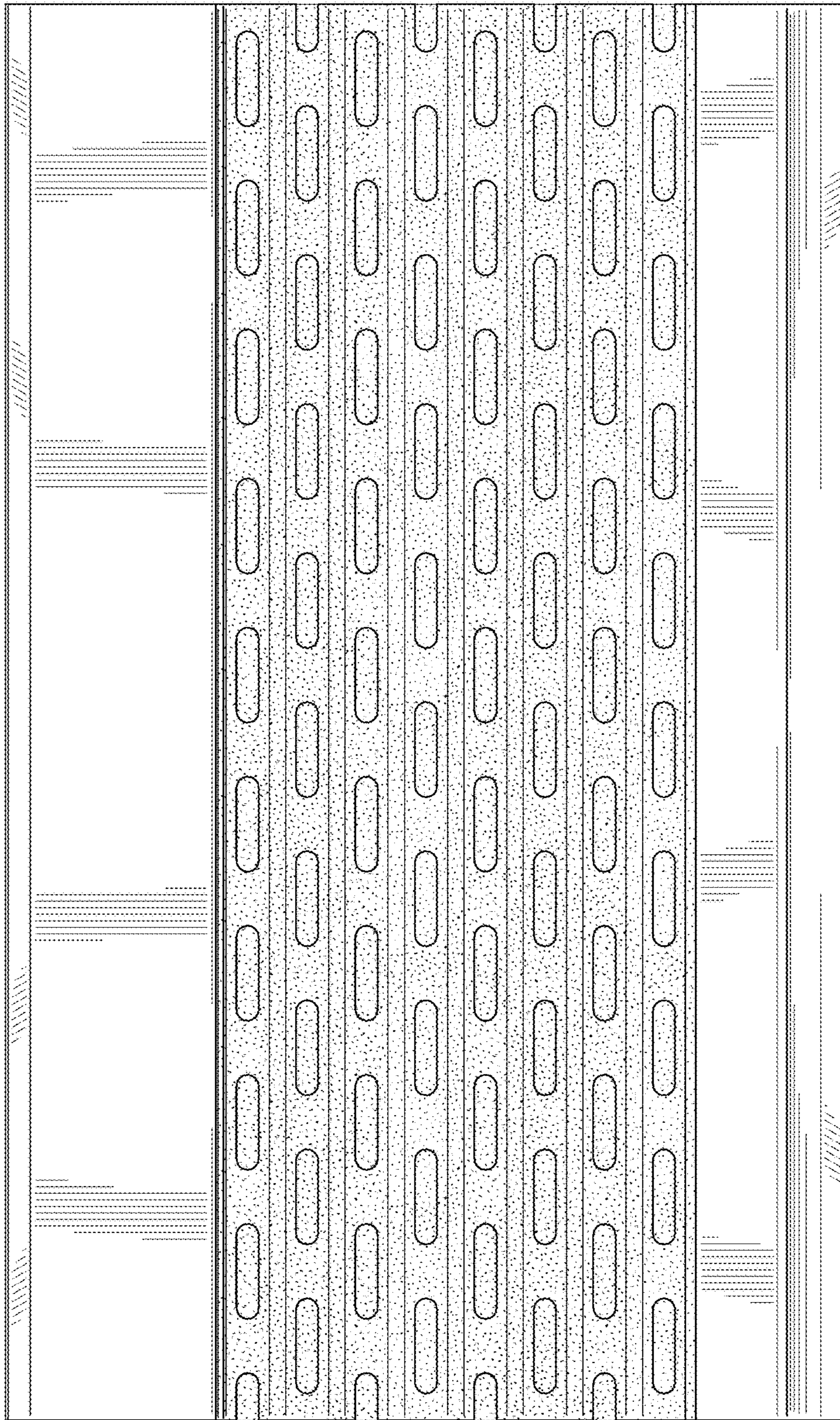


FIG. 5

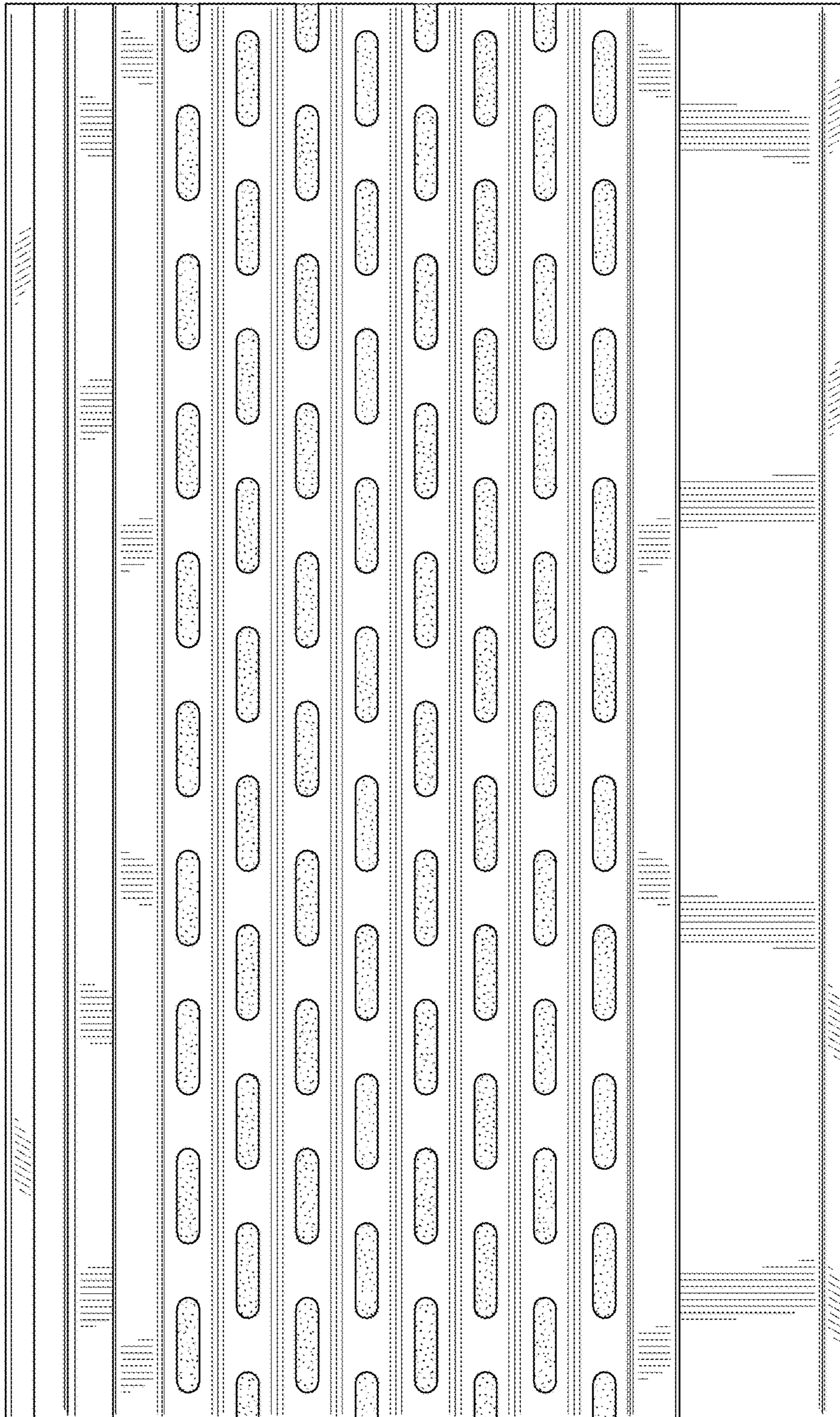


FIG. 6

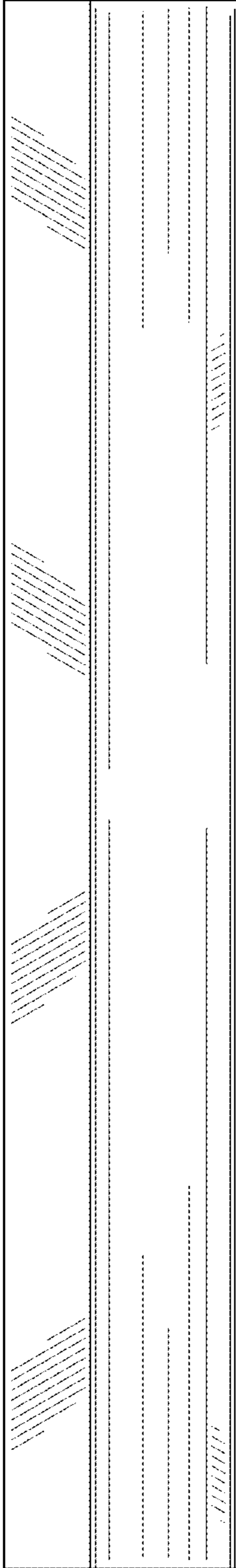


FIG. 7

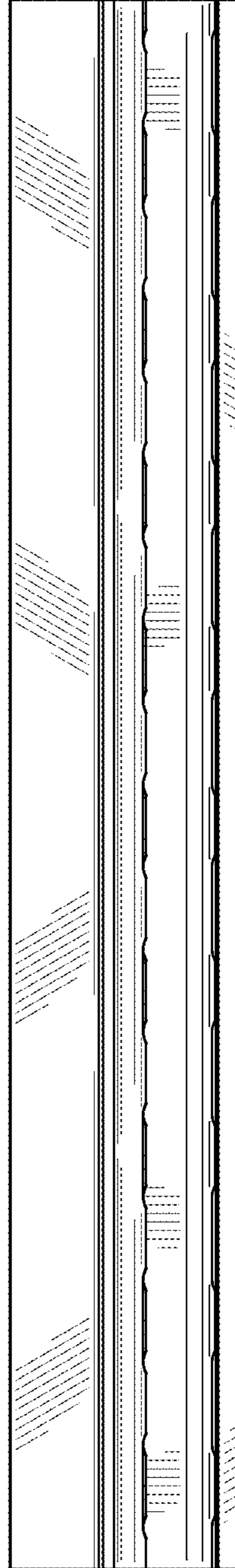


FIG. 8