



US00D822801S

(12) **United States Design Patent**  
**Karabacak**

(10) **Patent No.:** **US D822,801 S**

(45) **Date of Patent:** **\*\* Jul. 10, 2018**

- (54) **ROOF GUTTER COVER**
- (71) Applicant: **Art of Gutter Inc.**, Clifton, NJ (US)
- (72) Inventor: **Adnan Karabacak**, Clifton, NJ (US)
- (\*\*) Term: **15 Years**
- (21) Appl. No.: **29/605,468**
- (22) Filed: **May 26, 2017**
- (51) **LOC (11) Cl.** ..... **23-01**
- (52) **U.S. Cl.**  
USPC ..... **D23/267**
- (58) **Field of Classification Search**  
USPC ..... D23/259-269; 52/11-12, 13, 14, 15, 24,  
52/25, 302.3, 302.7; 248/48.1-48.2;  
D25/136, 138, 141-142, 164  
CPC . E04D 13/0767; E04D 13/072; E04D 13/076;  
E04D 13/064; E04D 13/08  
See application file for complete search history.

- 9,010,030 B2 \* 4/2015 Davis ..... E04D 13/076  
52/11
- 9,394,694 B2 7/2016 Iannelli
- D770,602 S \* 11/2016 Ealer, Sr. .... D23/267
- D781,403 S \* 3/2017 Jordan ..... D23/267
- D782,624 S \* 3/2017 Haendel ..... D23/267
- 2008/0134587 A1 \* 6/2008 Ealer ..... E04D 13/076  
52/12
- 2008/0276546 A1 11/2008 Etheredge
- 2010/0287846 A1 \* 11/2010 Lenney ..... E04D 13/0762  
52/12
- 2011/0185641 A1 \* 8/2011 Snell ..... E04D 13/076  
52/12
- 2016/0060870 A1 3/2016 Martin

\* cited by examiner

*Primary Examiner* — Eric L Goodman  
*Assistant Examiner* — Amy C Wierenga  
 (74) *Attorney, Agent, or Firm* — Michael J. Feigin, Esq.;  
 Feigin and Fridman

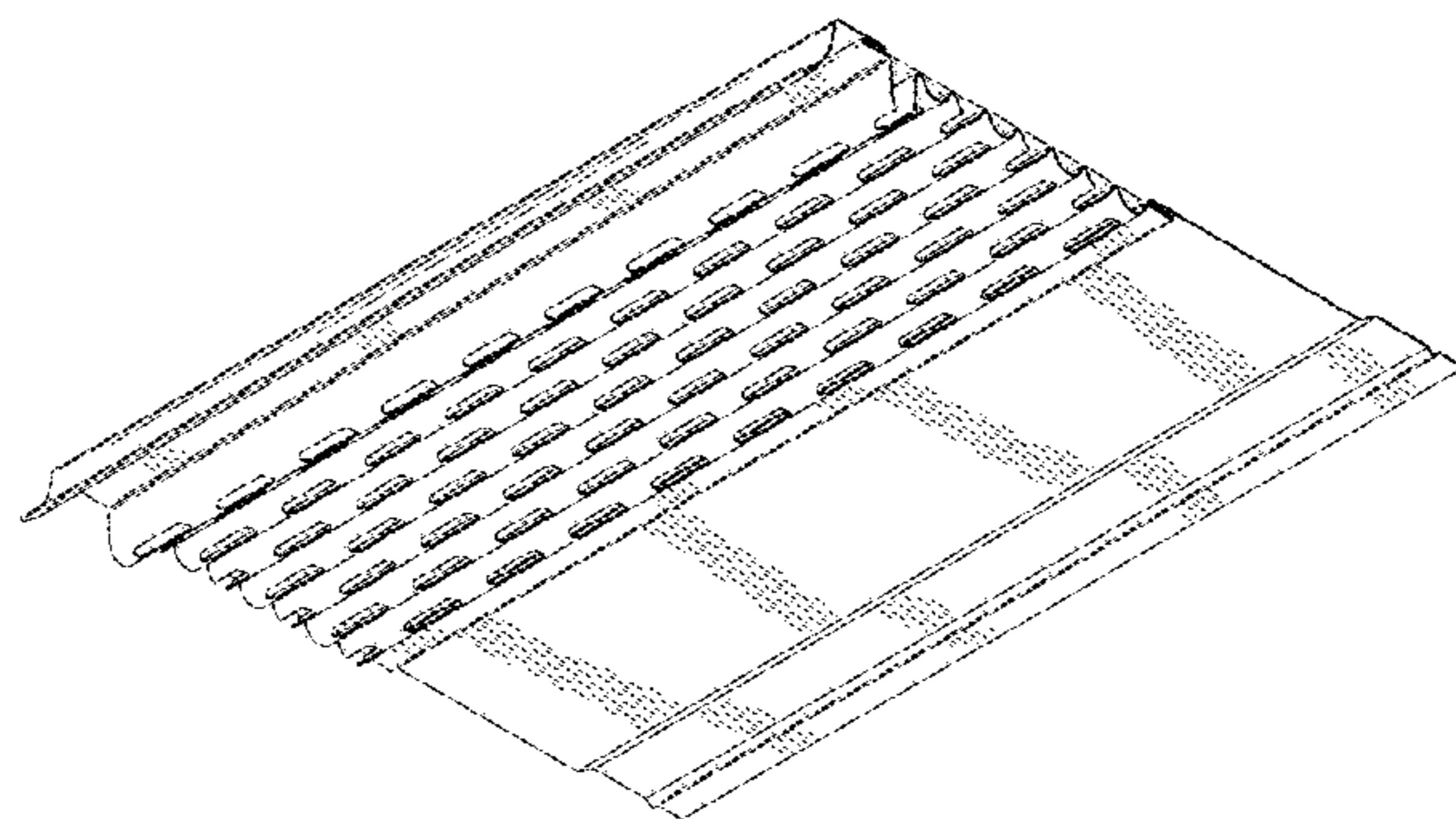
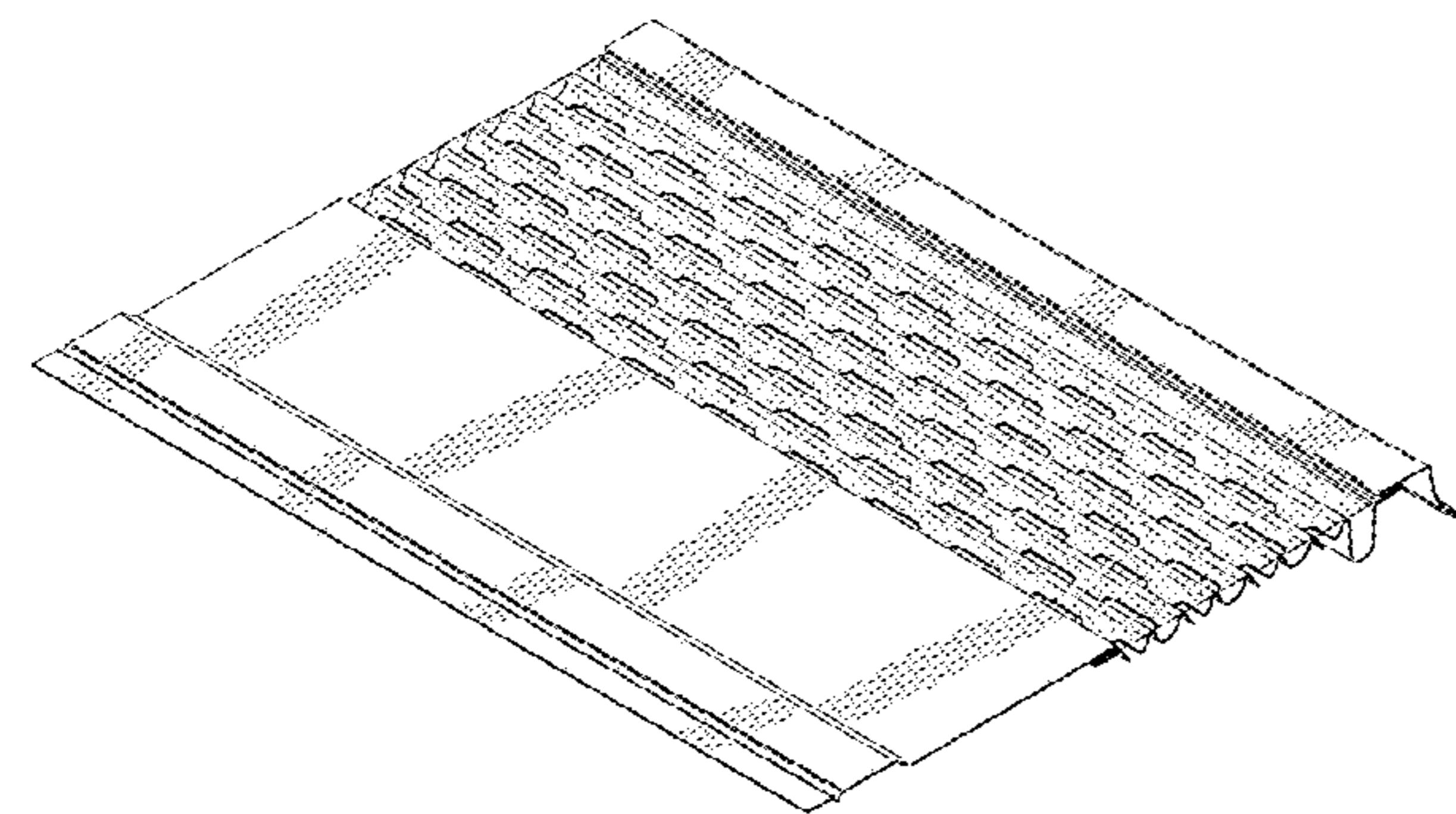
(57) **CLAIM**

The ornamental design for a roof gutter cover, as shown and described.

**DESCRIPTION**

FIG. 1 shows a top and side perspective view of a roof gutter cover.  
 FIG. 2 shows a bottom and side perspective view thereof.  
 FIG. 3 shows a side view thereof.  
 FIG. 4 shows a reverse side view thereof.  
 FIG. 5 shows a top plan view thereof.  
 FIG. 6 shows a bottom plan view thereof.  
 FIG. 7 shows a front view thereof; and,  
 FIG. 8 shows a rear view thereof.

**1 Claim, 6 Drawing Sheets**



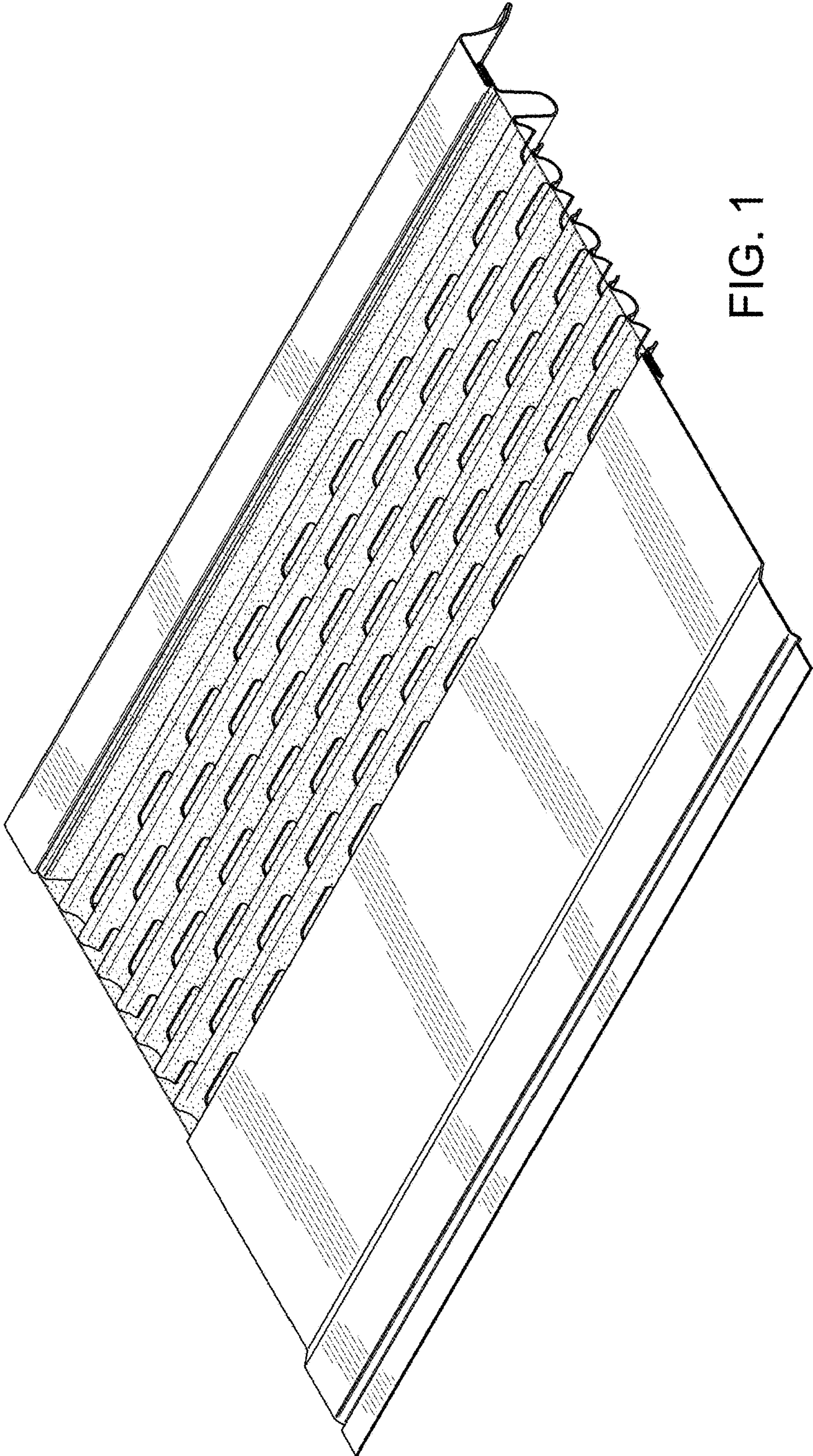


FIG. 1

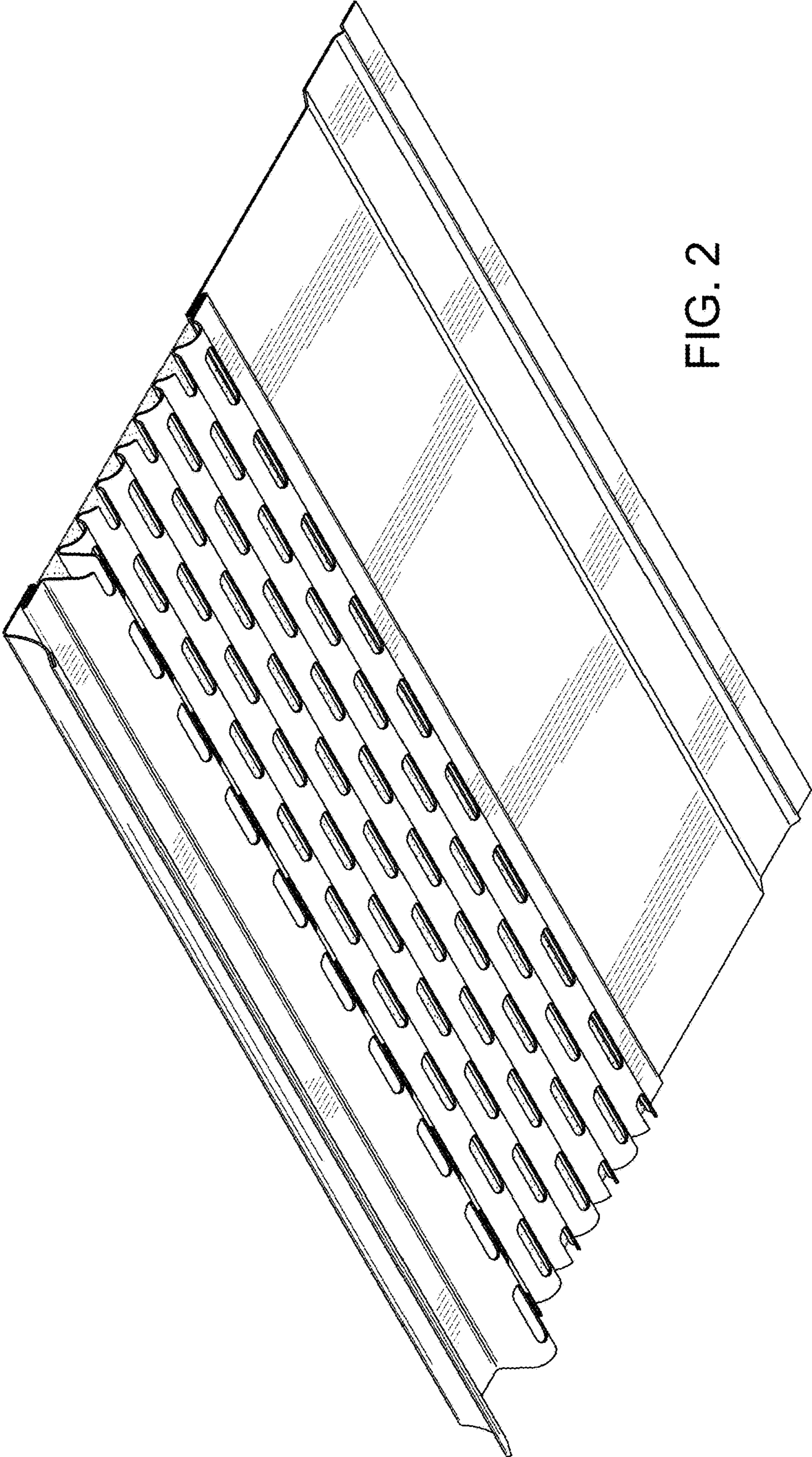


FIG. 2

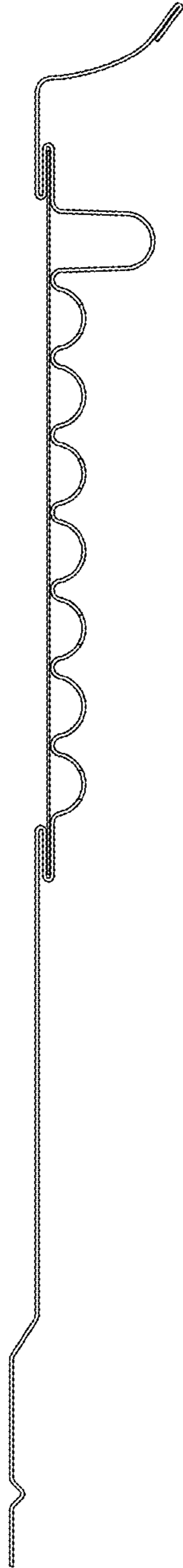


FIG. 3

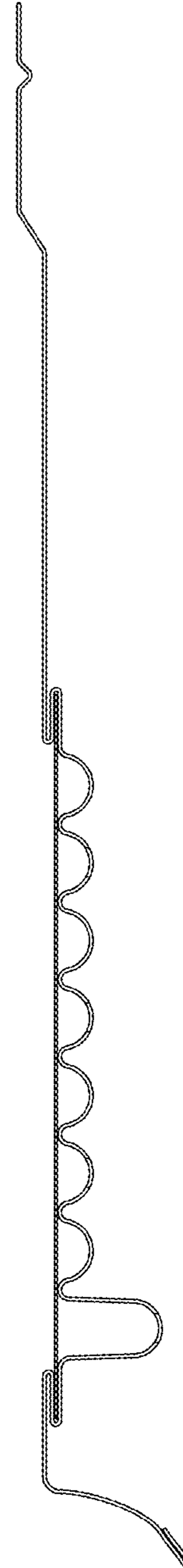


FIG. 4

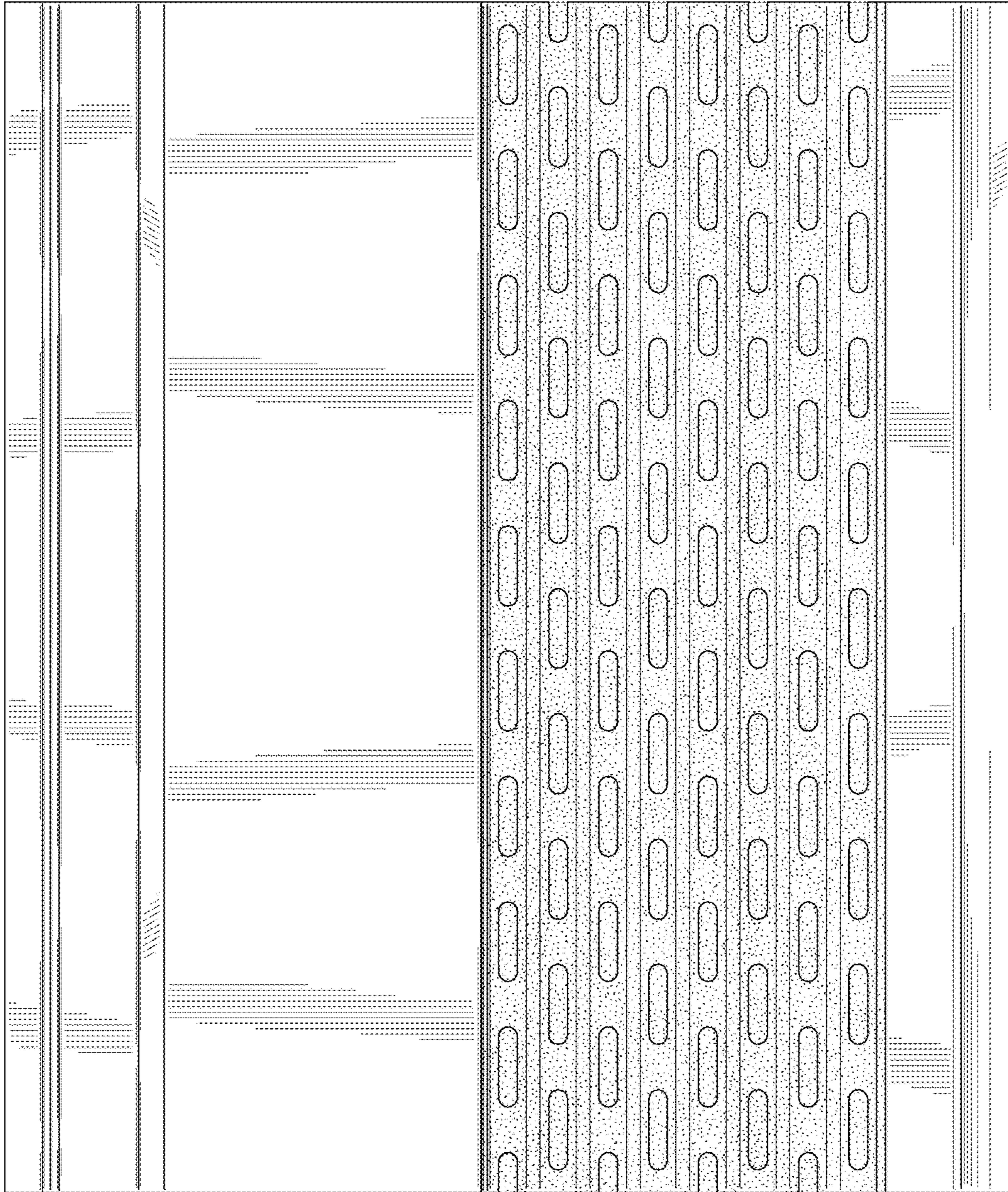


FIG. 5

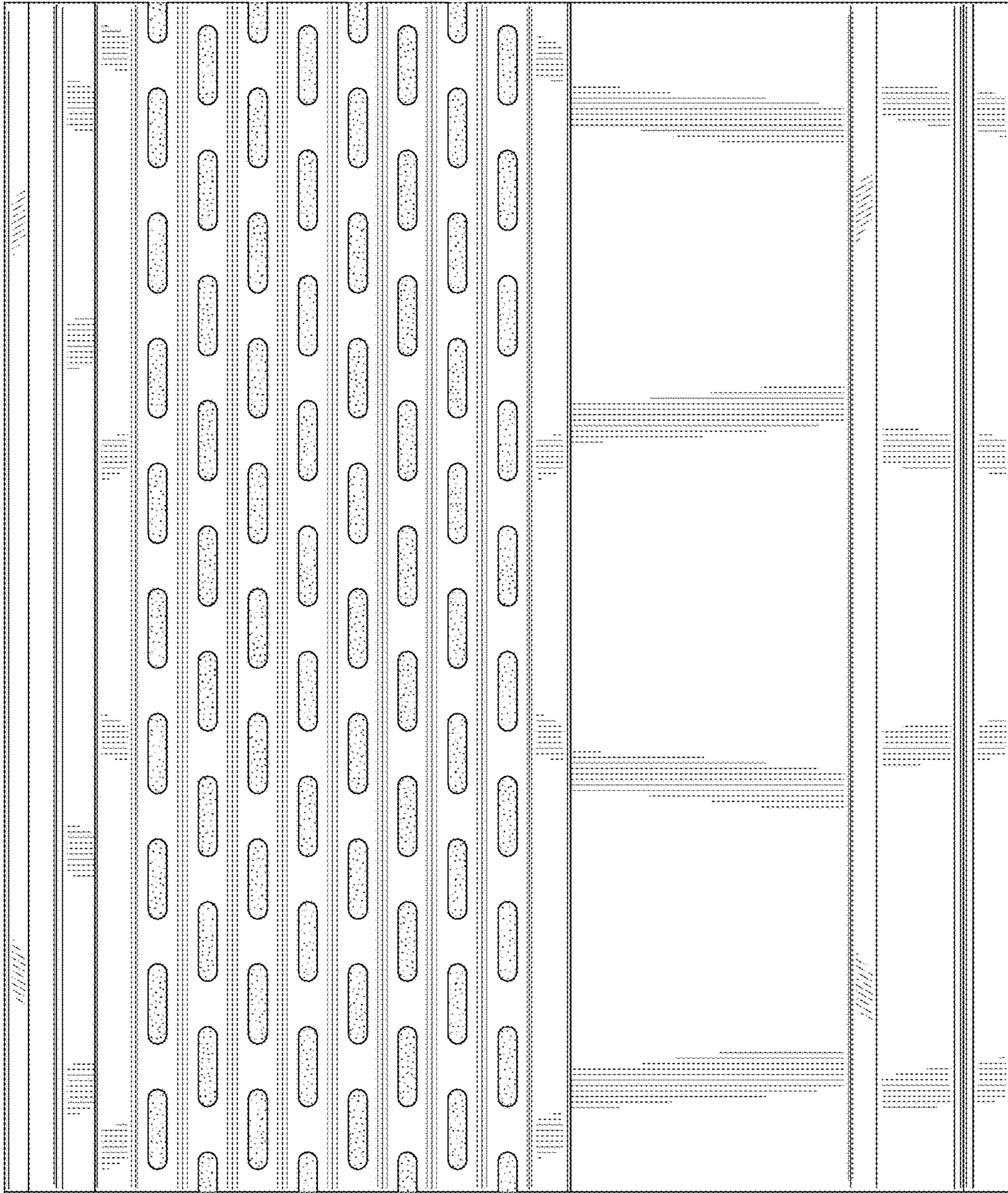


FIG. 6

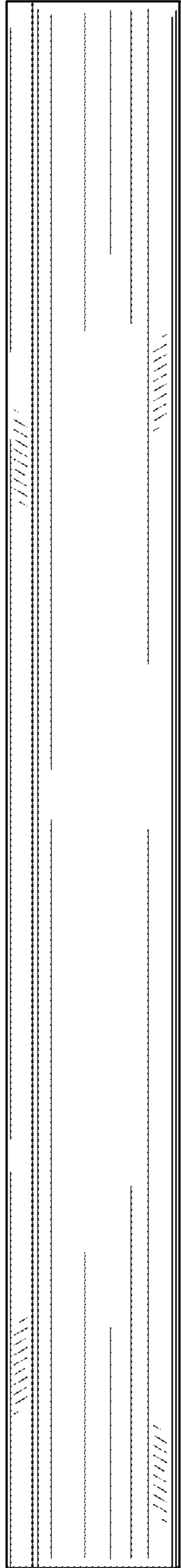


FIG. 7

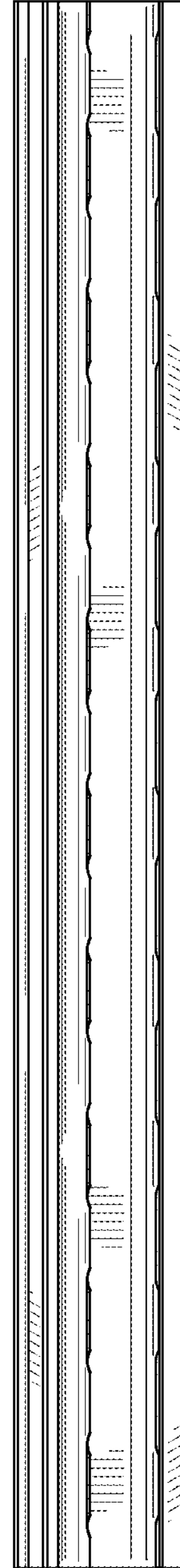


FIG. 8