



US00D822799S

(12) **United States Design Patent**  
**Näslund et al.**

(10) **Patent No.:** **US D822,799 S**  
(45) **Date of Patent:** **\*\* Jul. 10, 2018**

(54) **TAB CONNECTOR**

(71) Applicant: **HUSQVARNA AB**, Huskvarna (SE)

(72) Inventors: **Jens Näslund**, Spånga (SE); **Daniel Gunnarsson**, Danderyd (SE); **Gustav Landberg**, Trosa (SE); **Tor Sigurdson**, Stockholm (SE)

(73) Assignee: **HUSQVARNA AB**, Huskvarna (SE)

(\*\*) Term: **15 Years**

(21) Appl. No.: **29/579,312**

(22) Filed: **Sep. 29, 2016**

(30) **Foreign Application Priority Data**

Mar. 31, 2016 (EM) ..... 003049931-0015

(51) **LOC (11) Cl.** ..... **23-01**

(52) **U.S. Cl.**  
USPC ..... **D23/262**

(58) **Field of Classification Search**

USPC ..... D23/259, 260, 262-266, 213, 223, 226, D23/232-237; D24/129; D8/382, 396; 251/149.6-149.9, 149.1, 149, 309-310, 251/315.1, 315.14, 315.15, 356; 285/245, 285/246, 249, 322, 248, 251, 253; 137/614, 614.02-614.06, 798, 801  
CPC ..... F16L 37/0841; F16L 37/35; F16L 37/34; F16L 37/142; F16L 37/413; F16L 37/30; F16L 37/44; F16L 37/36; F16L 45/00; F16L 5/00; F16L 55/105; F16L 55/1007; F16L 33/227; F16L 33/22; F16L 37/252; F16L 25/0014; F16L 29/007; F16L 31/00; E03C 1/122; E03C 1/0404; E03B 7/09  
See application file for complete search history.

(56) **References Cited**

**U.S. PATENT DOCUMENTS**

D44,178 S \* 6/1913 McMurtrie ..... D23/262  
D226,765 S \* 4/1973 Ward ..... D23/213

D253,245 S \* 10/1979 Allenbaugh, Jr. .... D23/213  
D254,802 S \* 4/1980 Hayes ..... D23/262  
5,626,369 A \* 5/1997 Shifman ..... F16L 33/2076  
264/229  
D418,397 S \* 1/2000 Sasa ..... D8/382  
D558,306 S \* 12/2007 McCluskey ..... D23/264  
D717,406 S \* 11/2014 Stanley ..... D23/259  
D748,762 S \* 2/2016 Näslund  
D755,352 S \* 5/2016 Mitsuoka ..... D23/249  
D782,620 S \* 3/2017 Becker ..... D23/259

**FOREIGN PATENT DOCUMENTS**

JP 1515591 S 1/2015  
TW D127383 S 2/2009  
TW D132831 S 1/2010  
TW D172491 S 12/2015

\* cited by examiner

*Primary Examiner* — Eric L Goodman

*Assistant Examiner* — Amy C Wierenga

(74) *Attorney, Agent, or Firm* — McNair Law Firm, P.A.

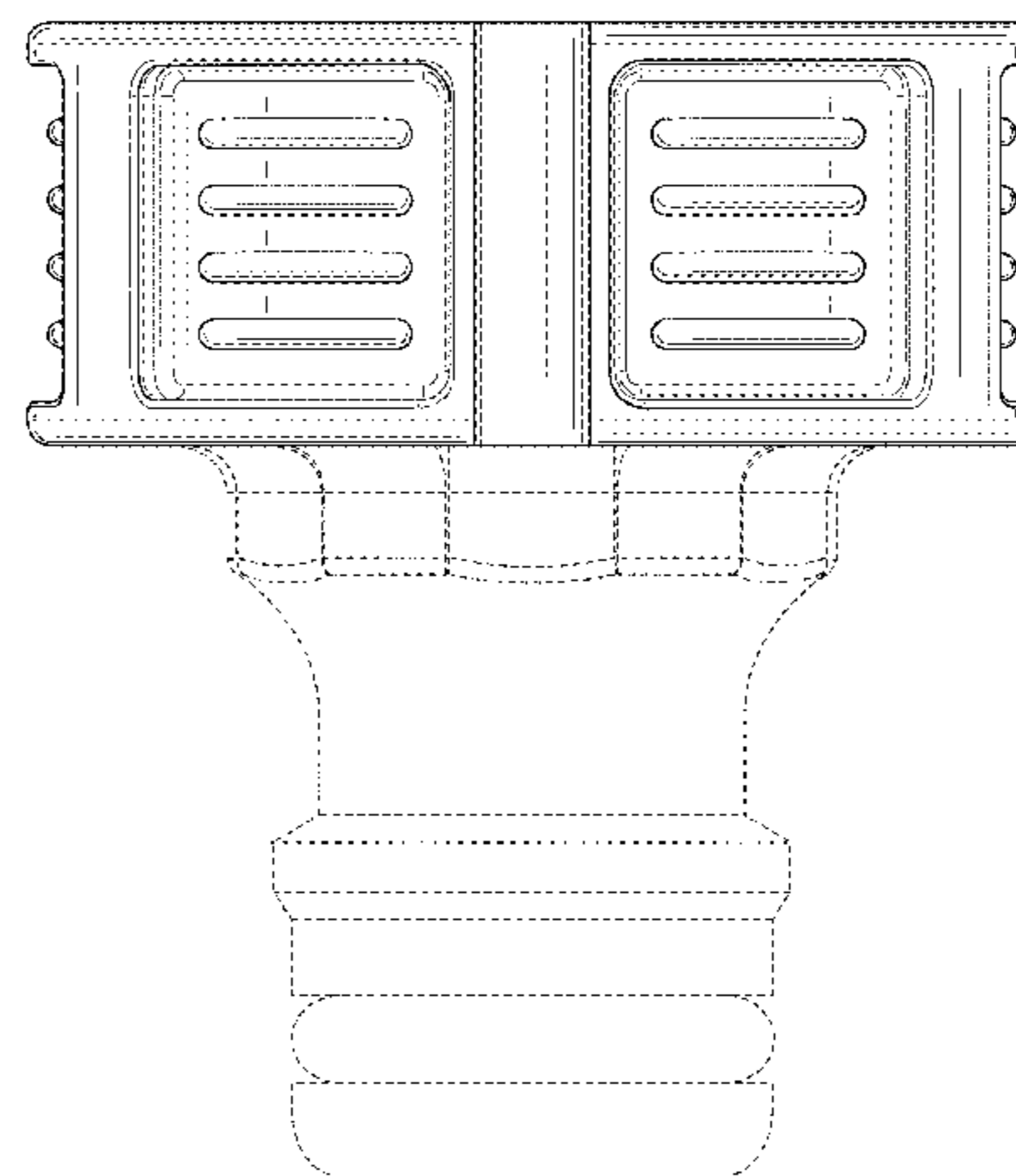
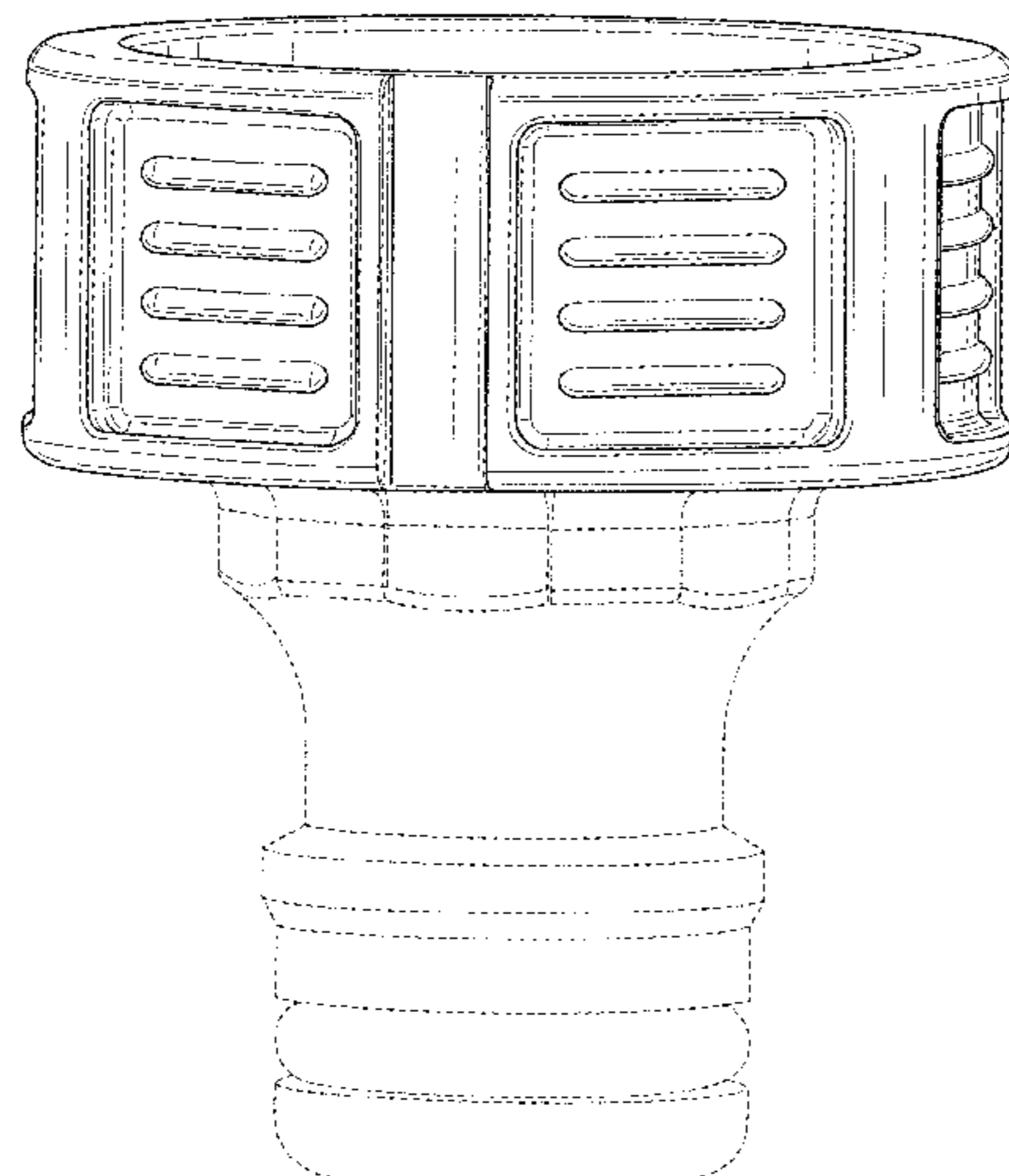
(57) **CLAIM**

The ornamental design for a tab connector, as shown and described.

**DESCRIPTION**

FIG. 1 is a perspective view of a tab connector in accordance with the present invention; FIG. 2 is a right side view of the tab connector of FIG. 1; FIG. 3 is a left side view of the tab connector of FIG. 1; FIG. 4 is a front view of the tab connector of FIG. 1; FIG. 5 is a rear side view of the tab connector of FIG. 1; FIG. 6 is a top view of the tab connector of FIG. 1; and, FIG. 7 is a bottom view of the tab connector of FIG. 1. The broken lines of FIGS. 1-7 are illustrative of the visible environmental structure of the tab connector and form no part of the claimed design.

**1 Claim, 7 Drawing Sheets**



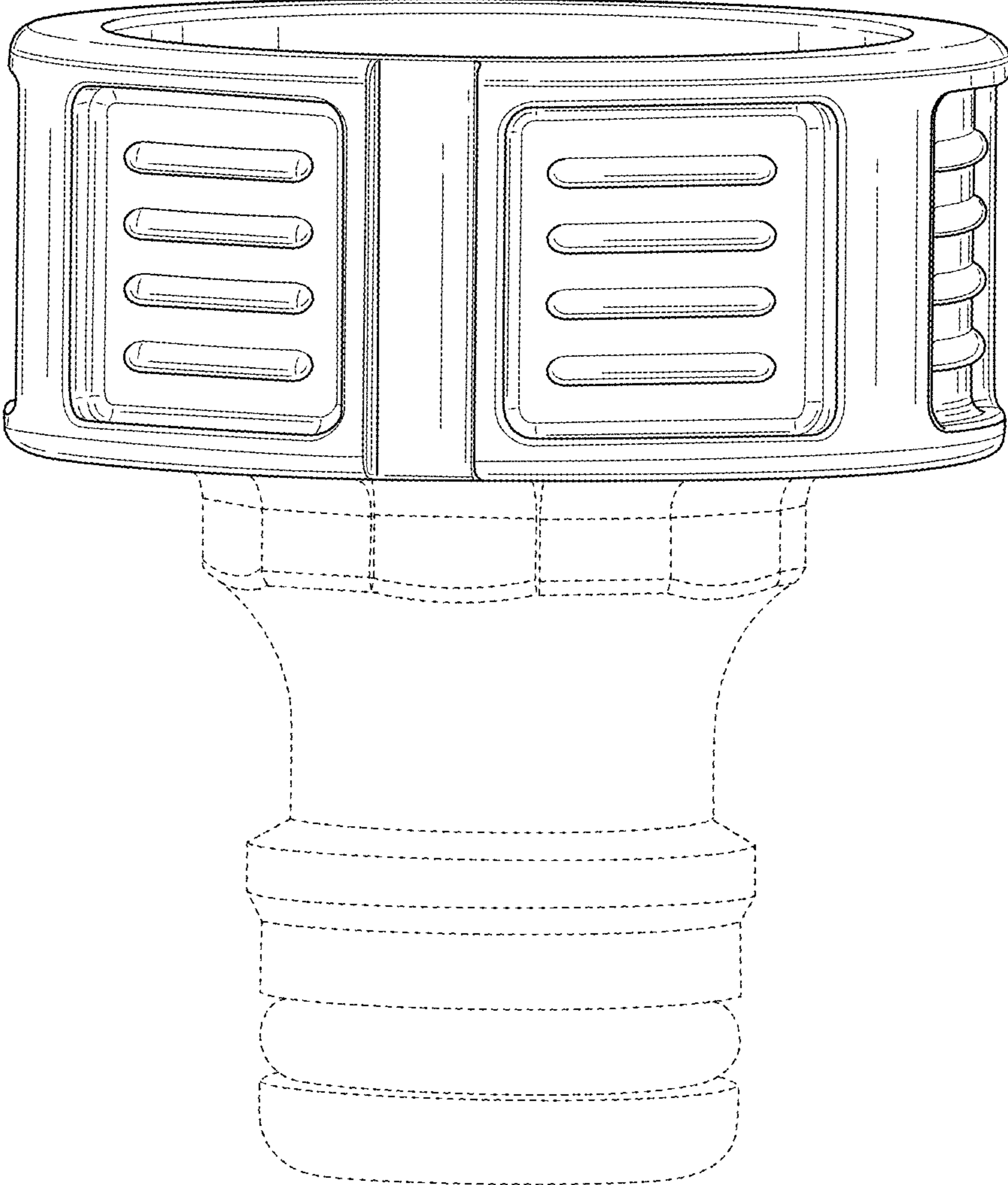


FIG. 1

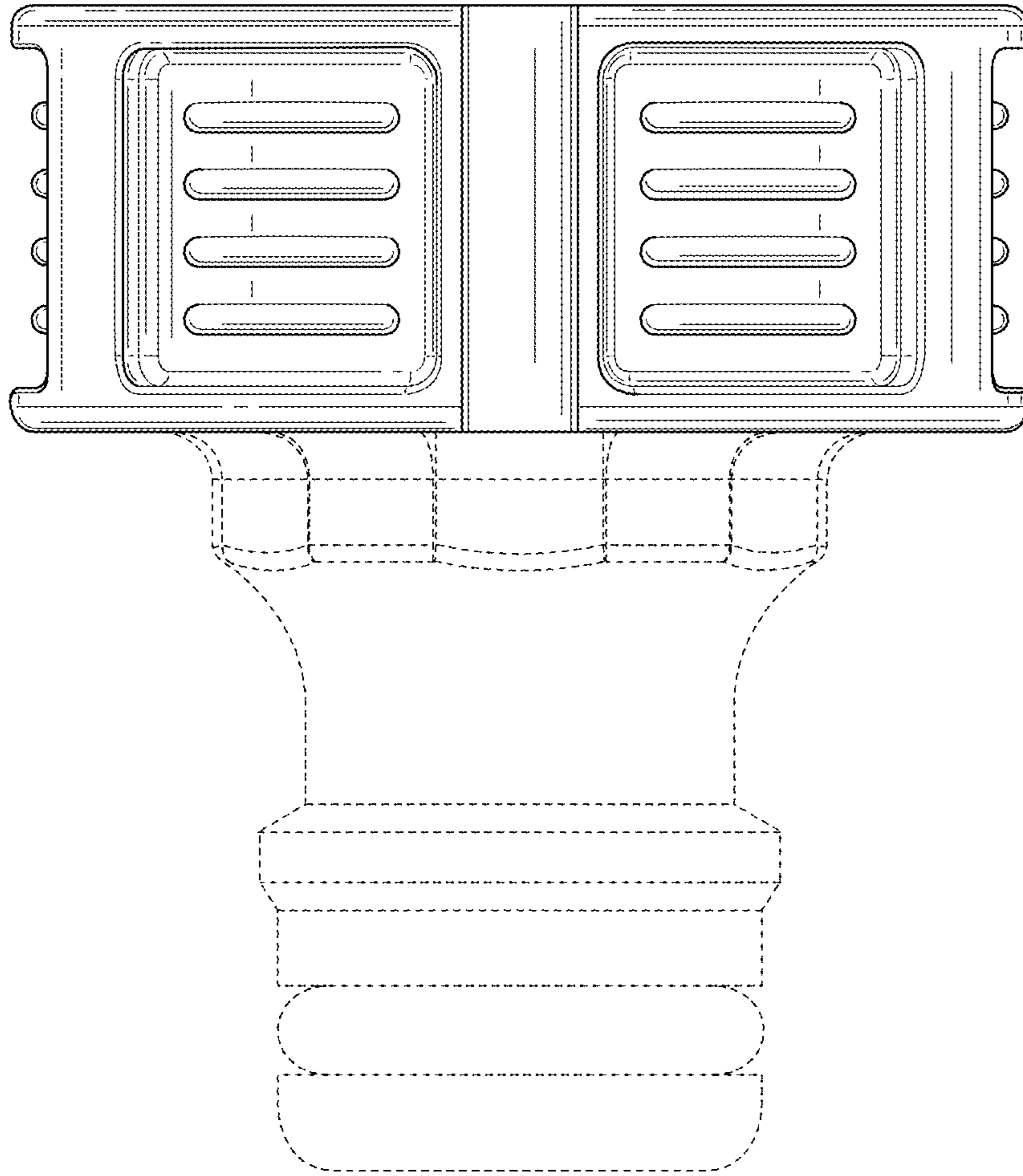


FIG. 2

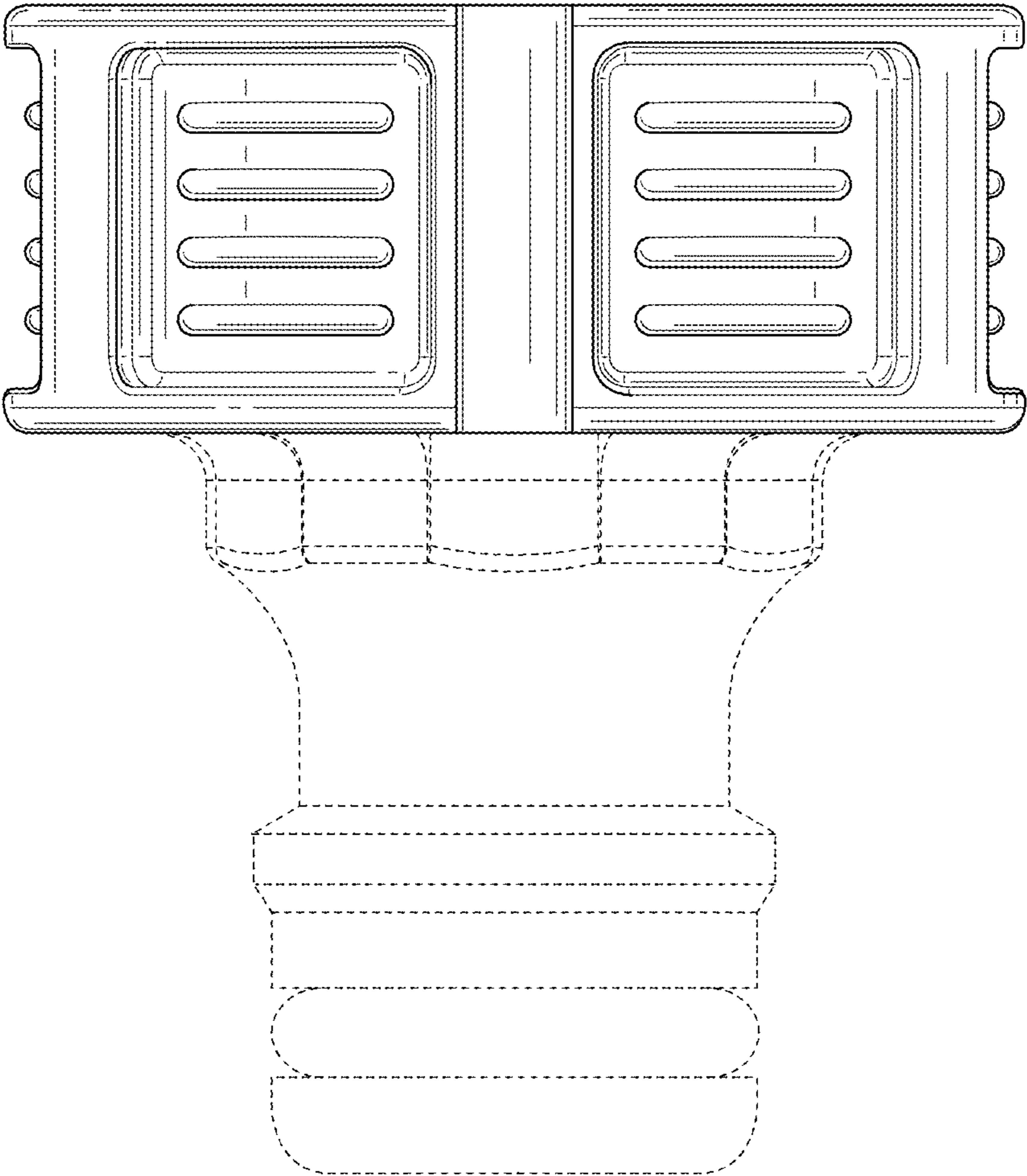


FIG. 3

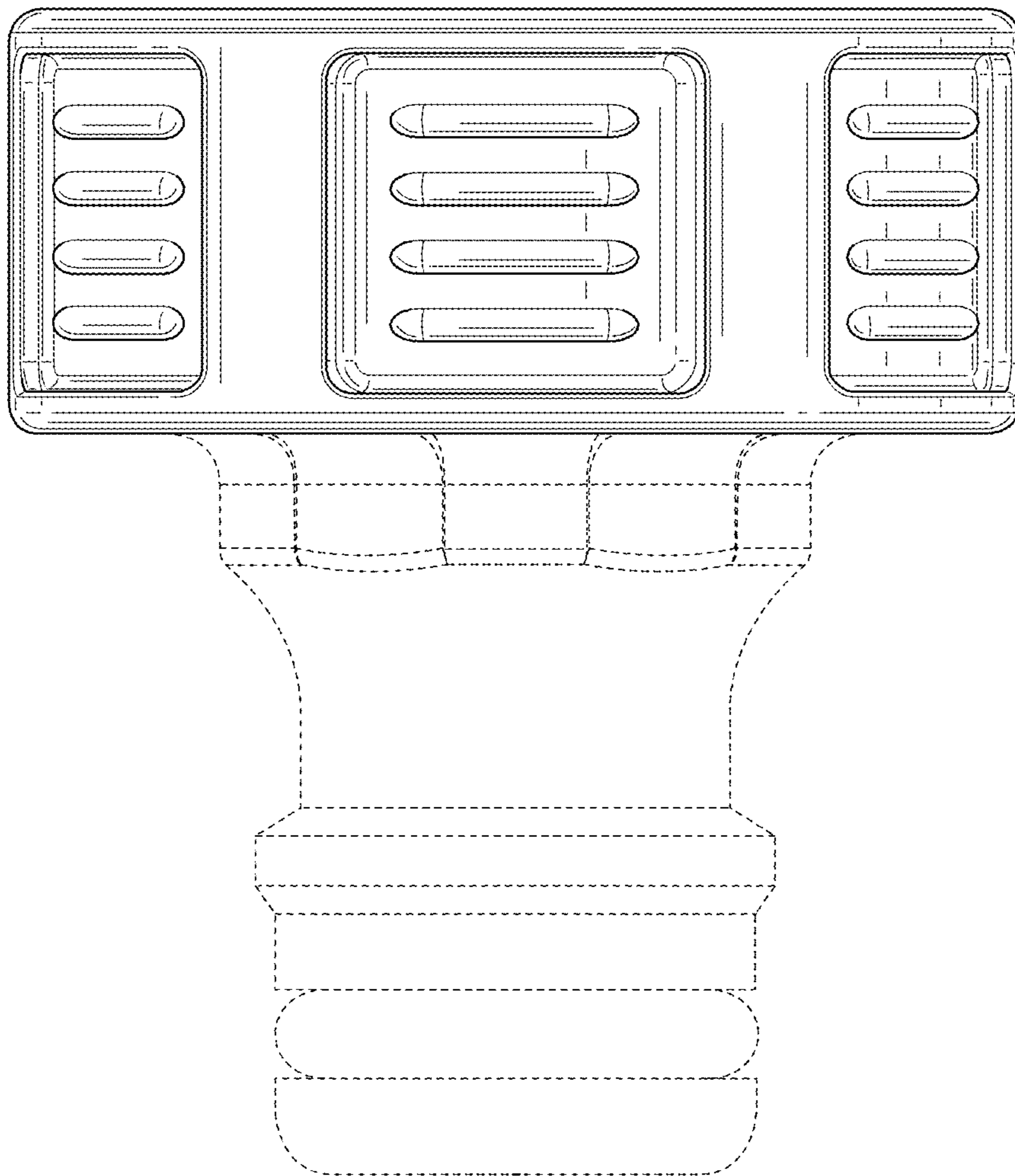


FIG. 4

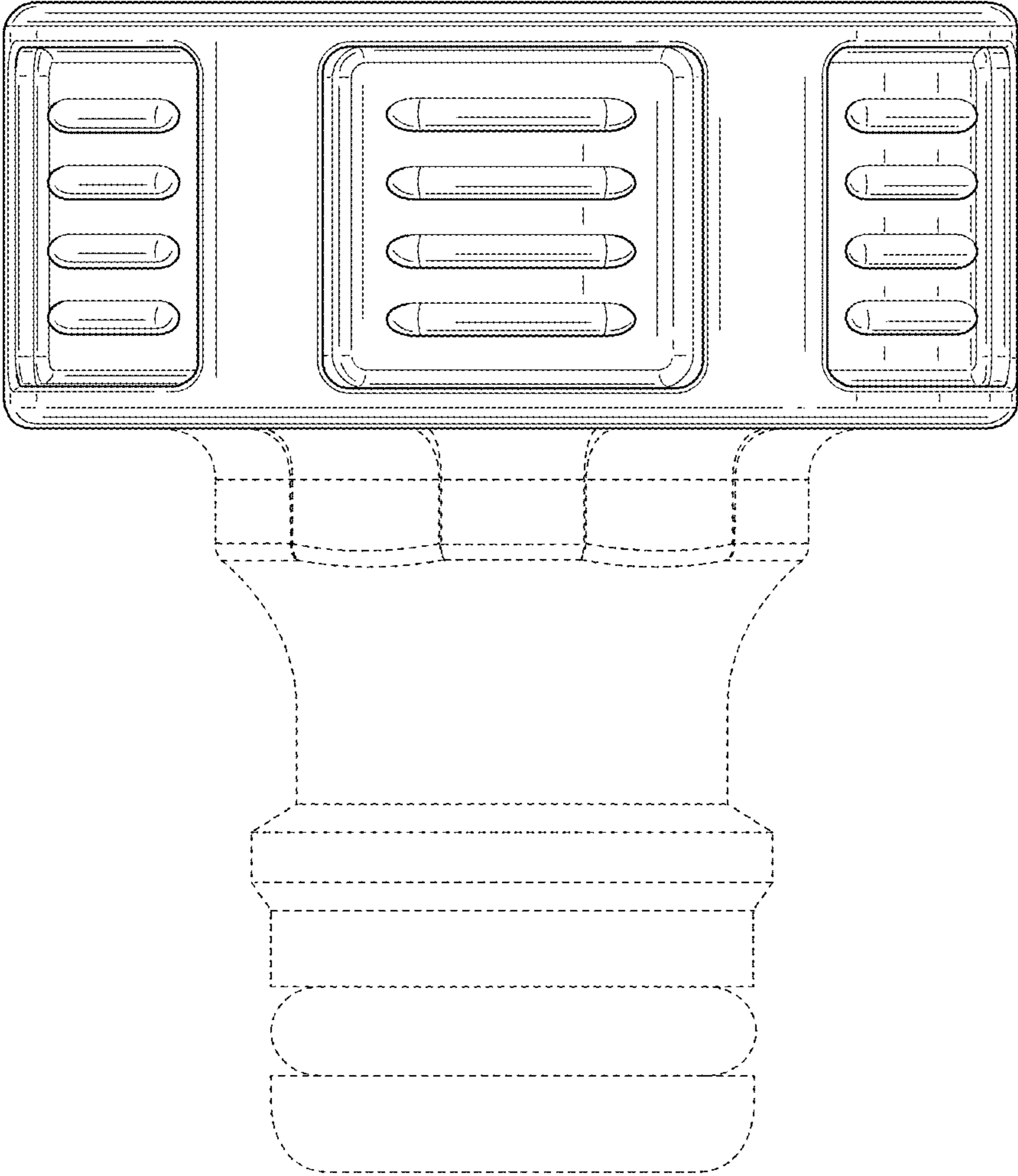


FIG. 5

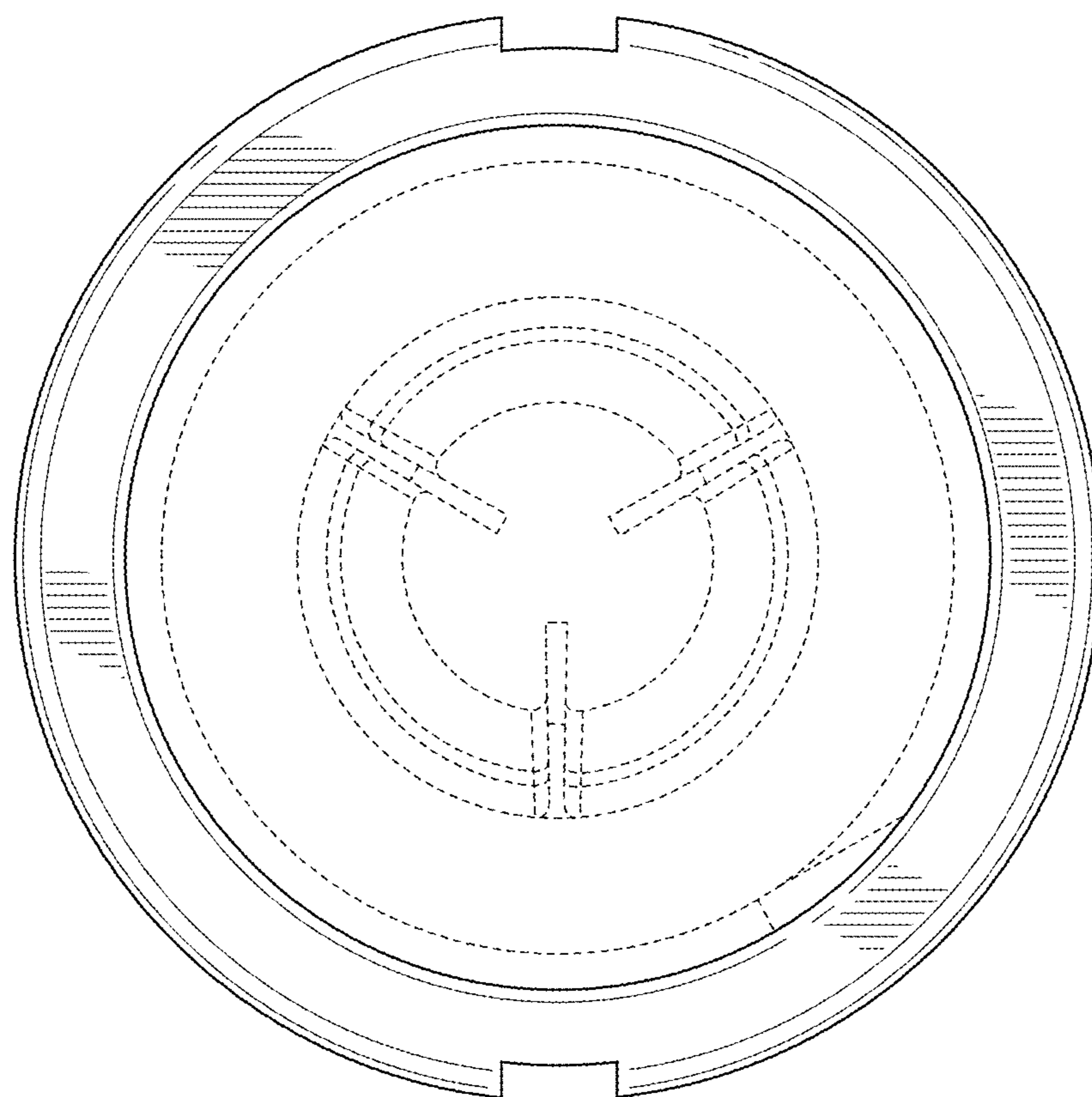
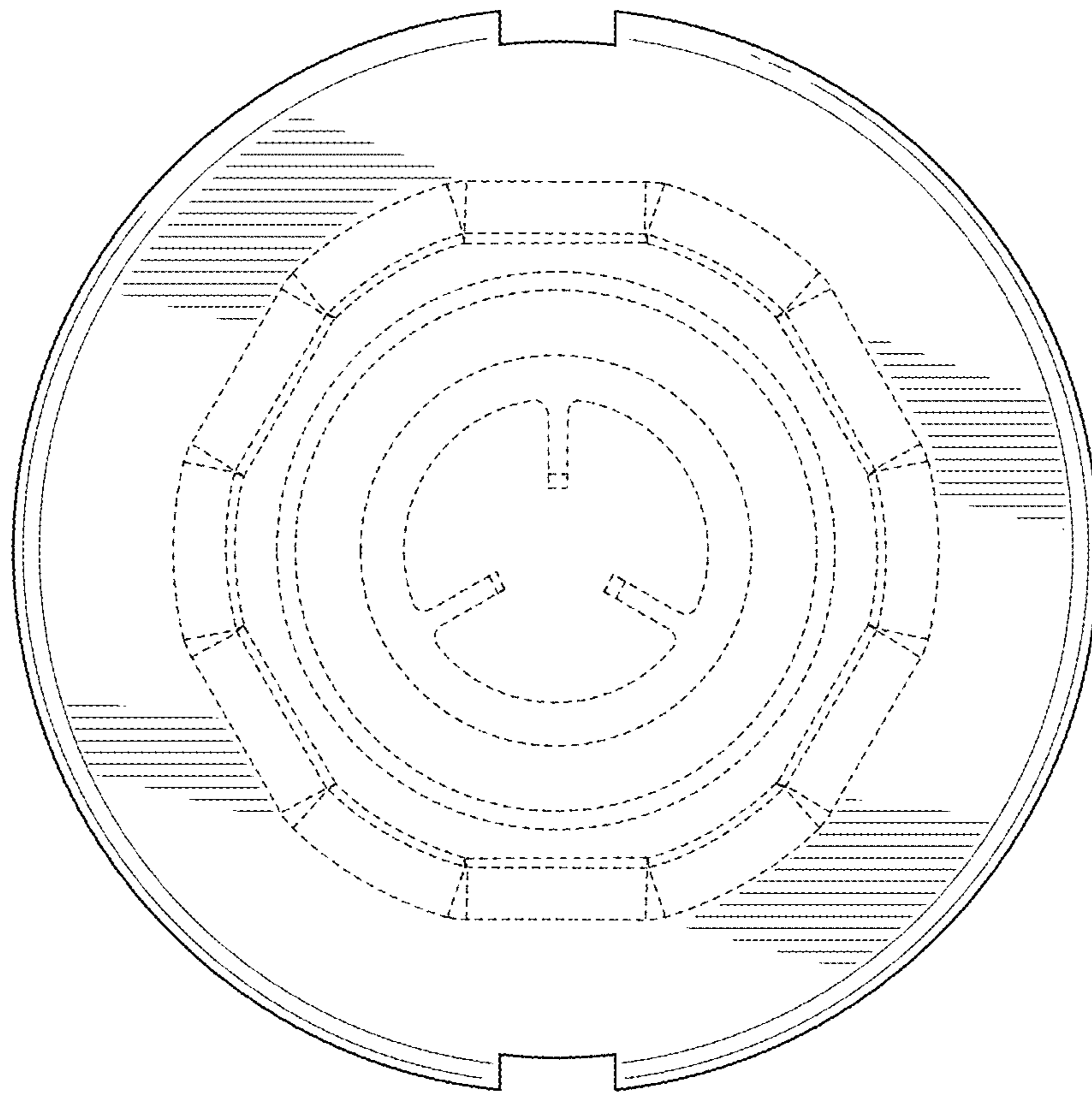


FIG. 6



**FIG. 7**