



US00D822797S

(12) **United States Design Patent**
Spangler

(10) **Patent No.:** **US D822,797 S**

(45) **Date of Patent:** **** Jul. 10, 2018**

(54) **FAUCET BODY**

(71) Applicant: **DELTA FAUCET COMPANY,**
Indianapolis, IN (US)

(72) Inventor: **Anthony Spangler,** Indianapolis, IN
(US)

(73) Assignee: **DELTA FAUCET COMPANY,**
Indianapolis, IN (US)

(**) Term: **15 Years**

(21) Appl. No.: **29/572,232**

(22) Filed: **Jul. 26, 2016**

(51) **LOC (11) Cl.** **23-01**

(52) **U.S. Cl.**
USPC **D23/255**

(58) **Field of Classification Search**
USPC D23/238-243, 249, 255, 257
CPC Y10T 137/9464
See application file for complete search history.

(56) **References Cited**

U.S. PATENT DOCUMENTS

D525,679 S * 7/2006 Gilbert D23/238
D554,236 S * 10/2007 Dolan D23/255

D601,668 S * 10/2009 Williams D23/255
D681,166 S 4/2013 Romero et al.
D681,167 S 4/2013 Romero et al.
D797,892 S * 9/2017 Fritz D23/238
D797,893 S * 9/2017 Fritz D23/242

* cited by examiner

Primary Examiner — Robert A Delehanty

(74) *Attorney, Agent, or Firm* — Edgar A. Zarins; Nirav
D. Parikh

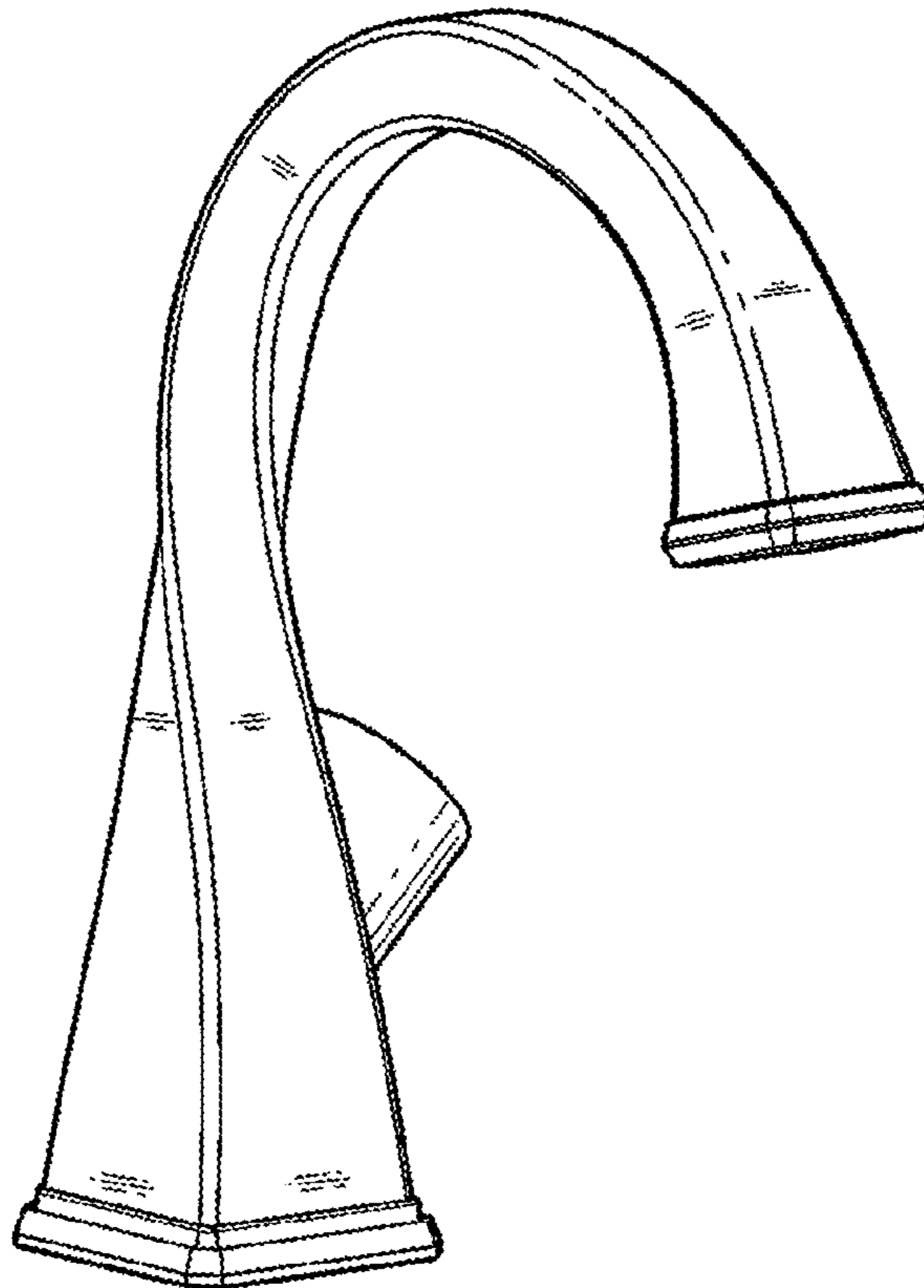
(57) **CLAIM**

The ornamental design for a faucet body, as shown and
described.

DESCRIPTION

FIG. 1 is a perspective view of a faucet body showing my
new design;
FIG. 2 is a front elevational view thereof;
FIG. 3 is a rear perspective view thereof;
FIG. 4 is a rear view thereof;
FIG. 5 is a top plan view thereof;
FIG. 6 is a right side view thereof;
FIG. 7 is a left side view thereof; and,
FIG. 8 is a bottom view thereof.
The broken lines showing of portions of the faucet are
included for the purpose of illustrating unclaimed portions
of the faucet body and form no part of the claimed design.

1 Claim, 4 Drawing Sheets



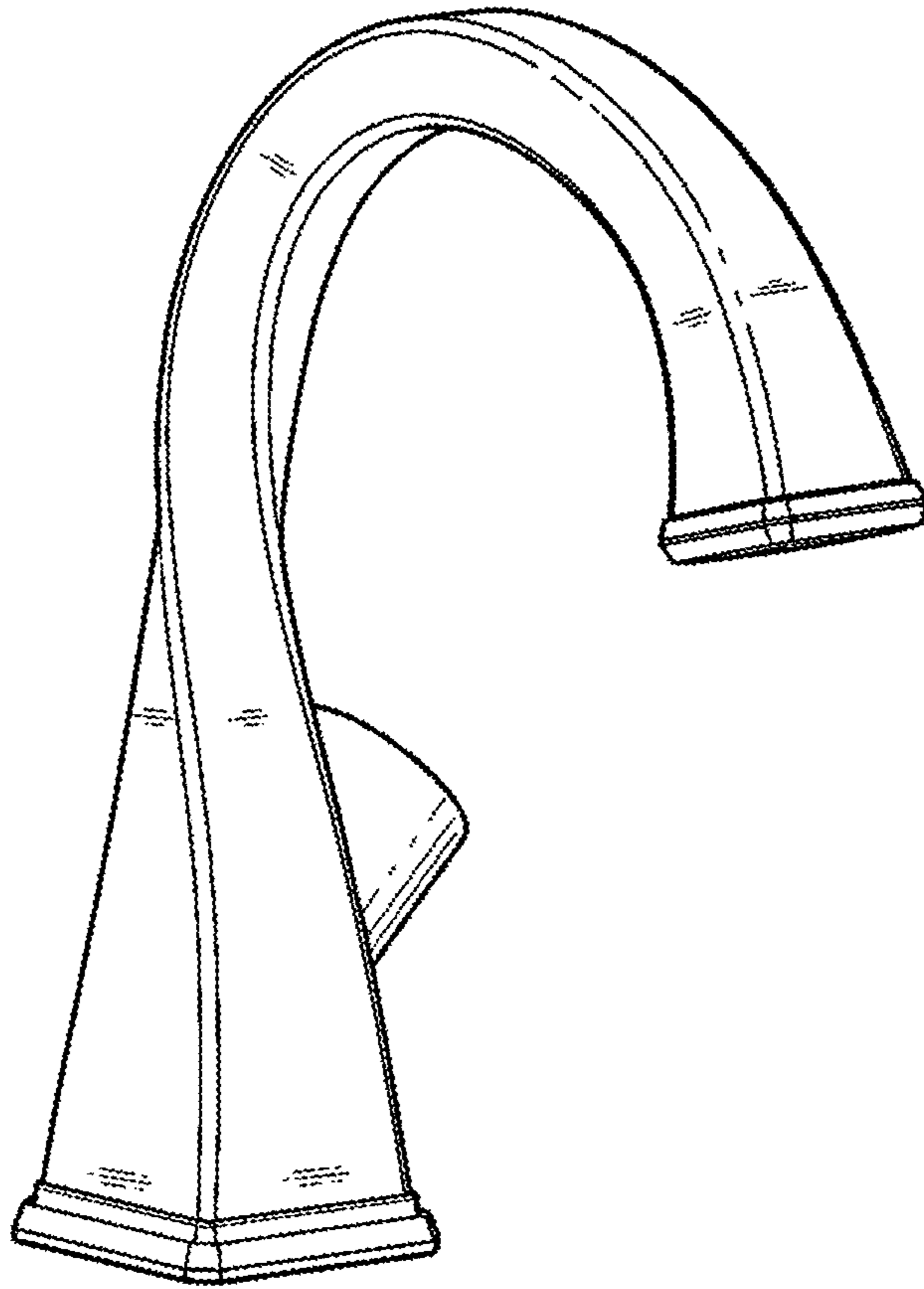


Fig-1

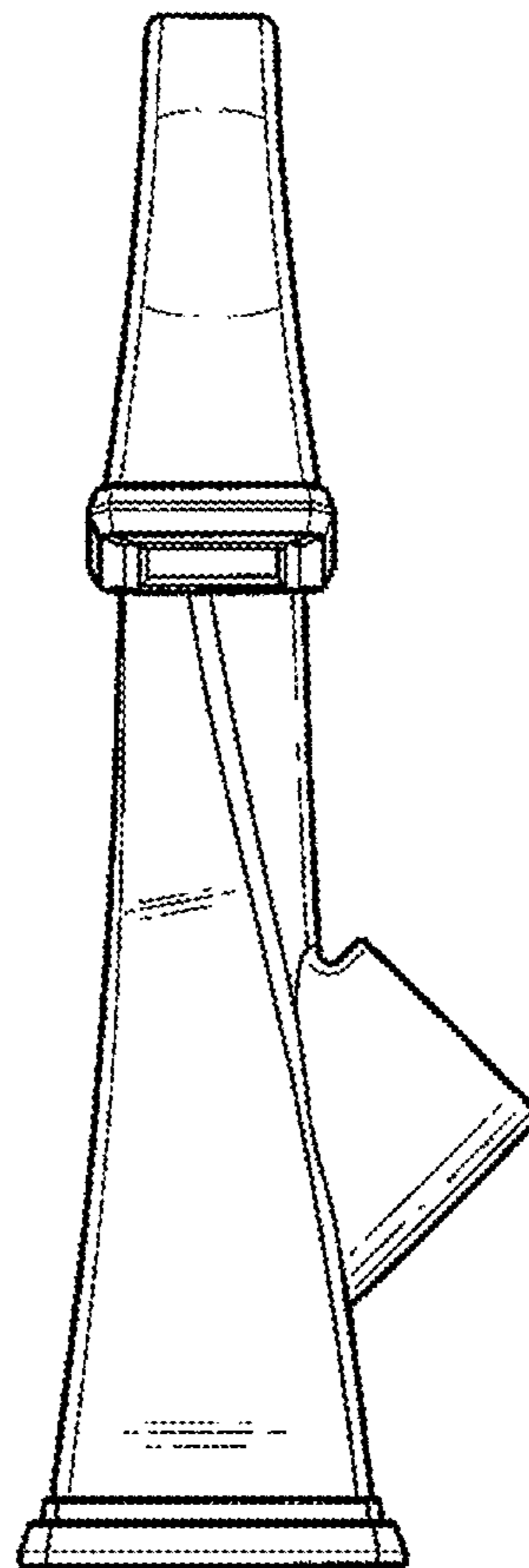


Fig-2

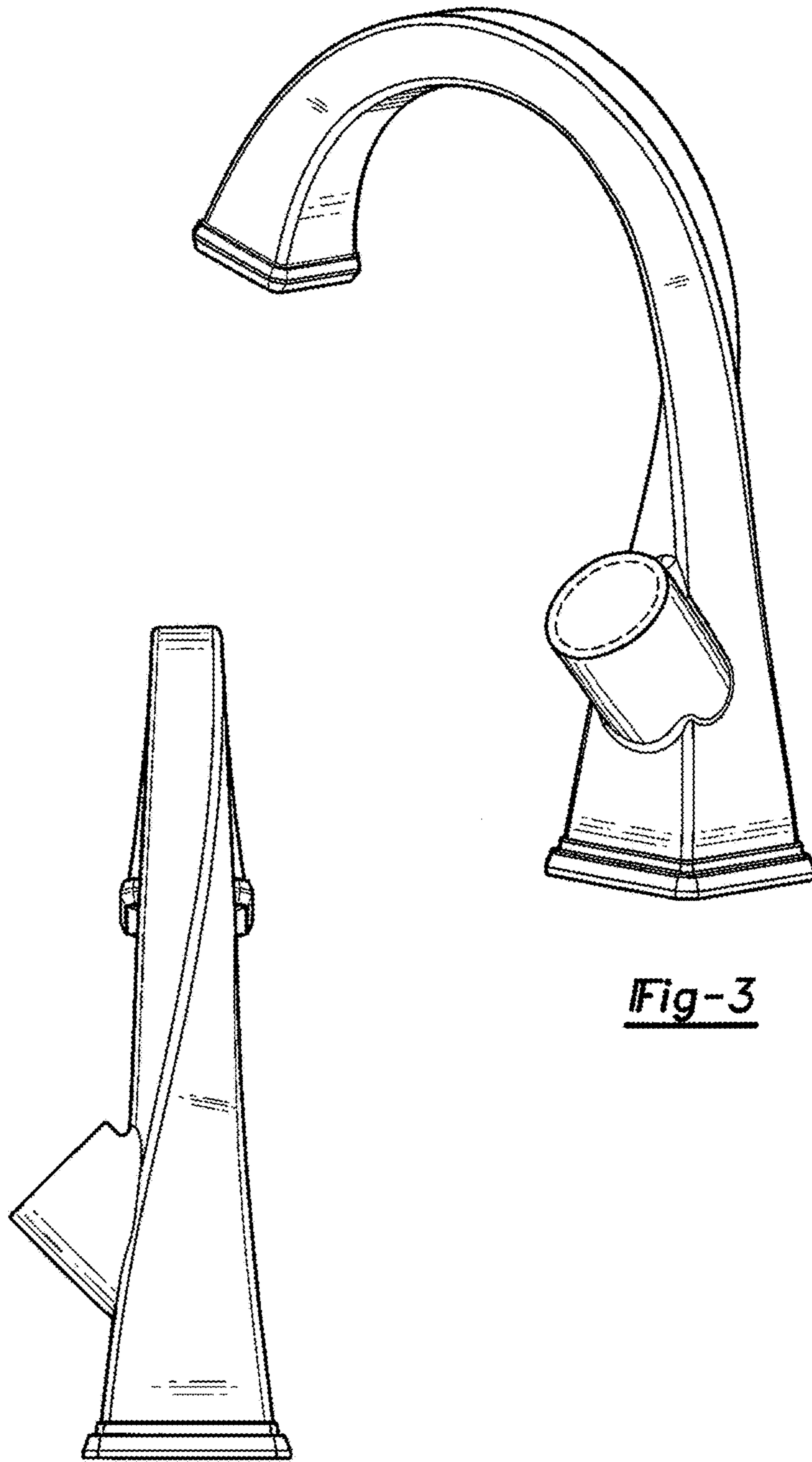


Fig-3

Fig-4

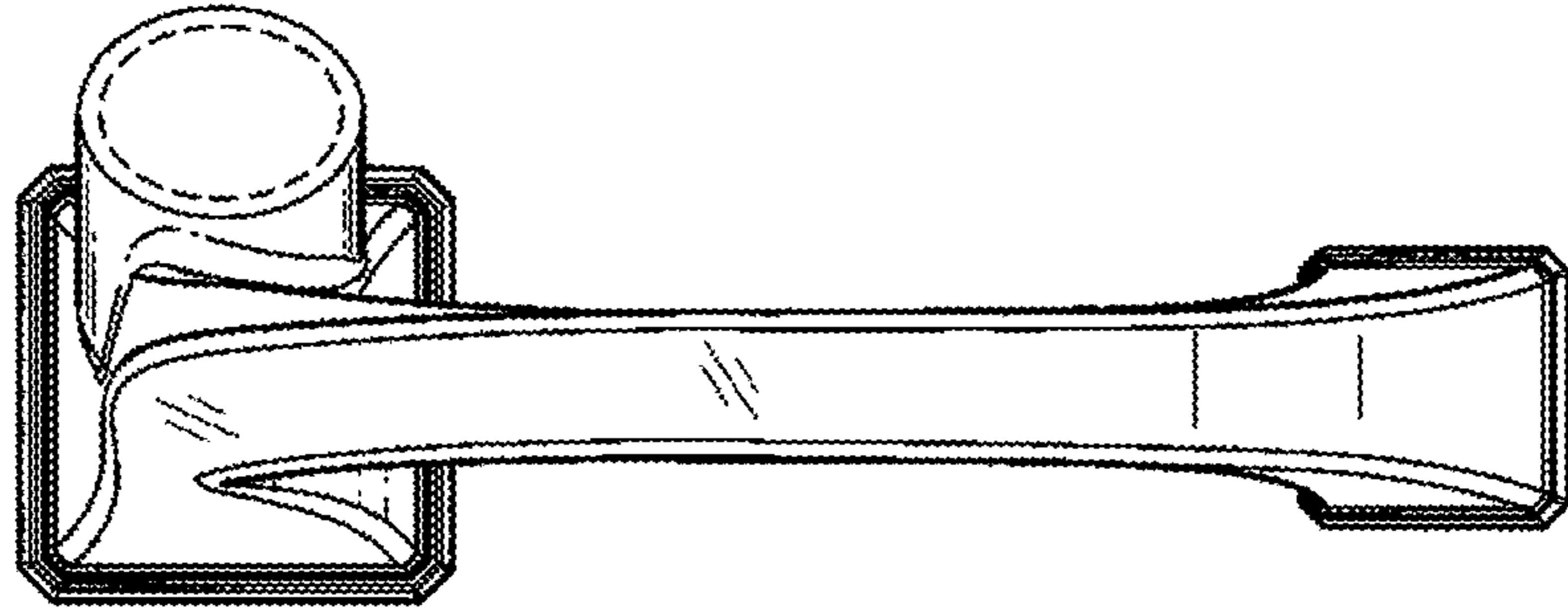


Fig-5

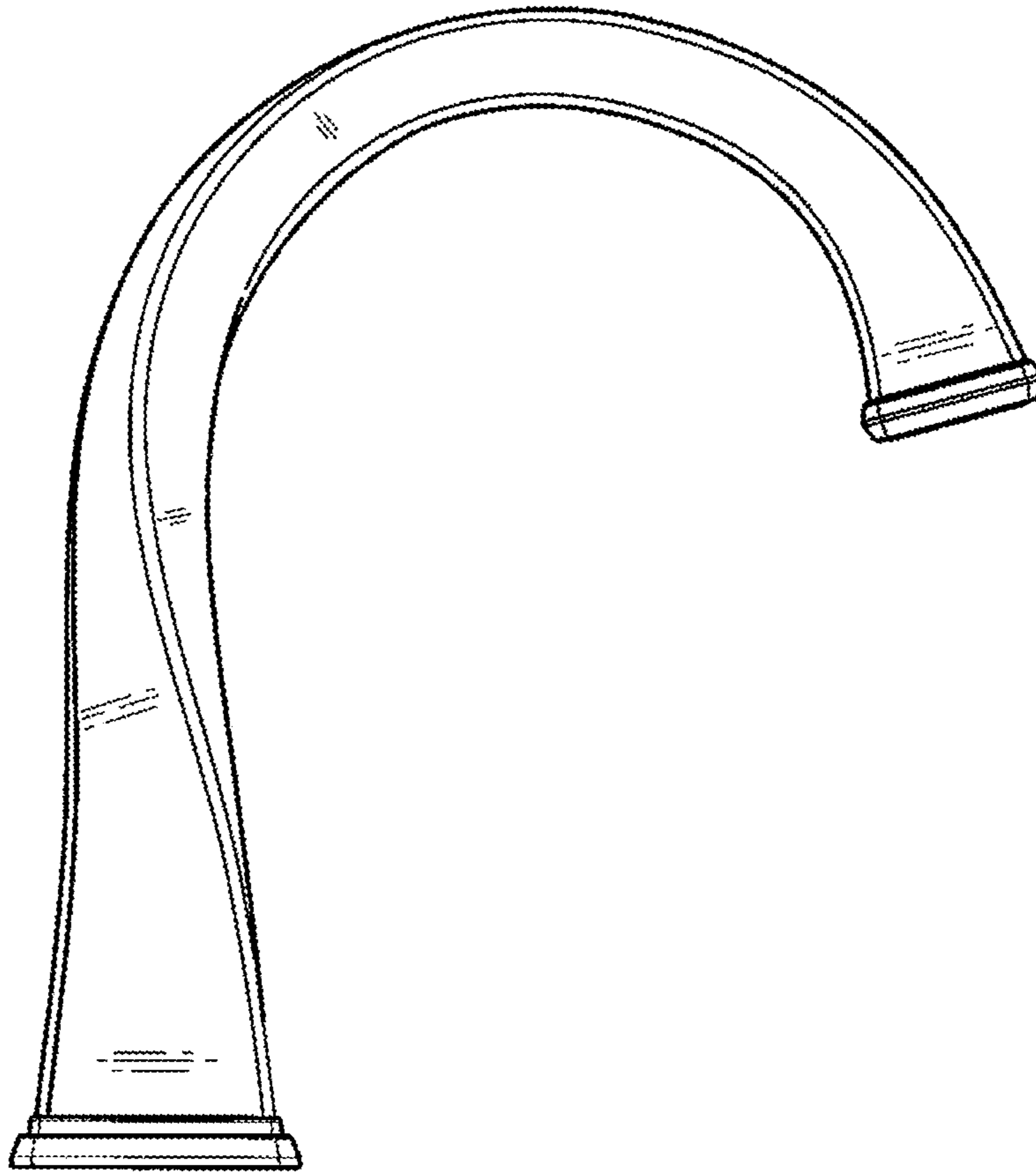


Fig-6

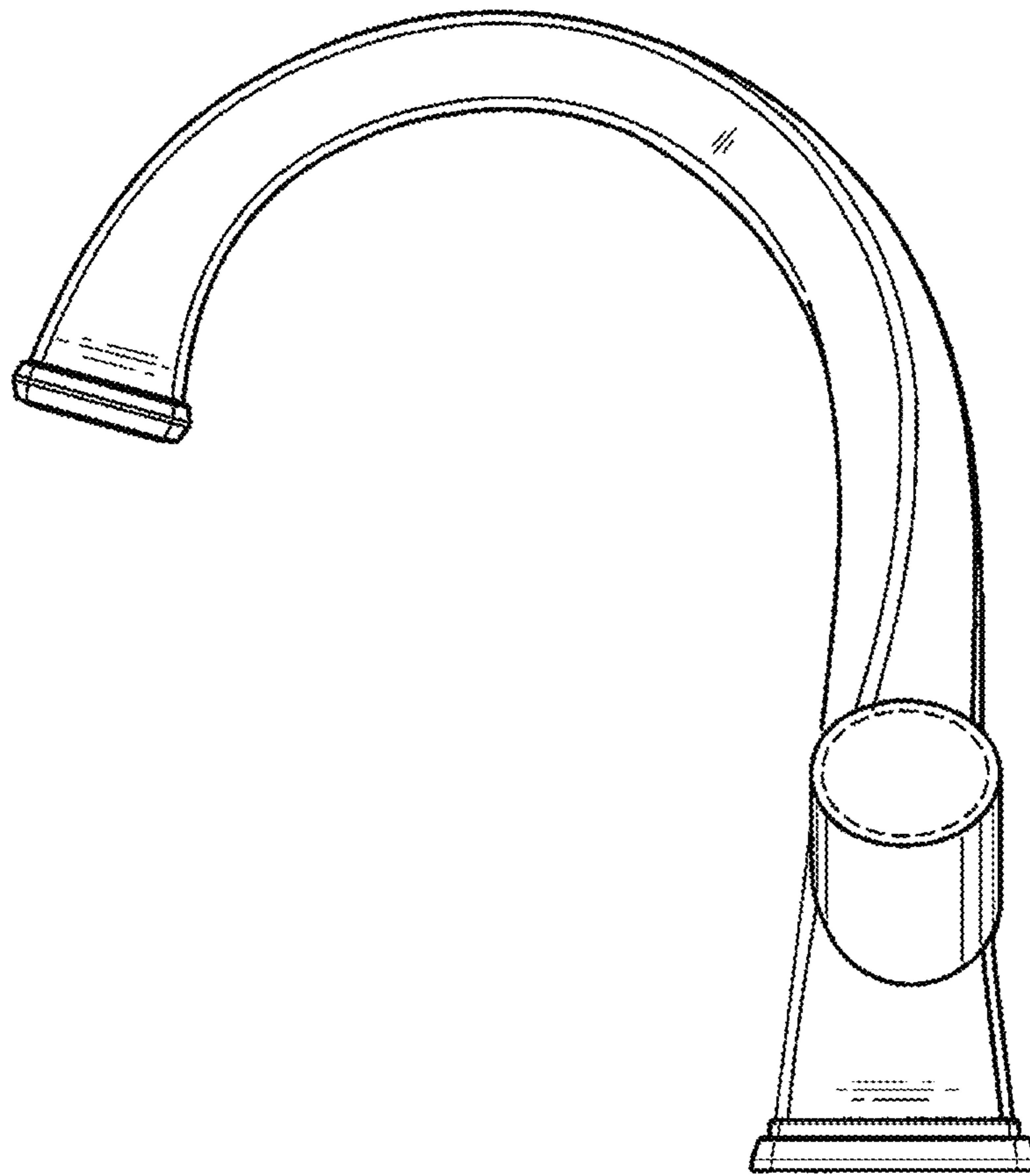


Fig-7

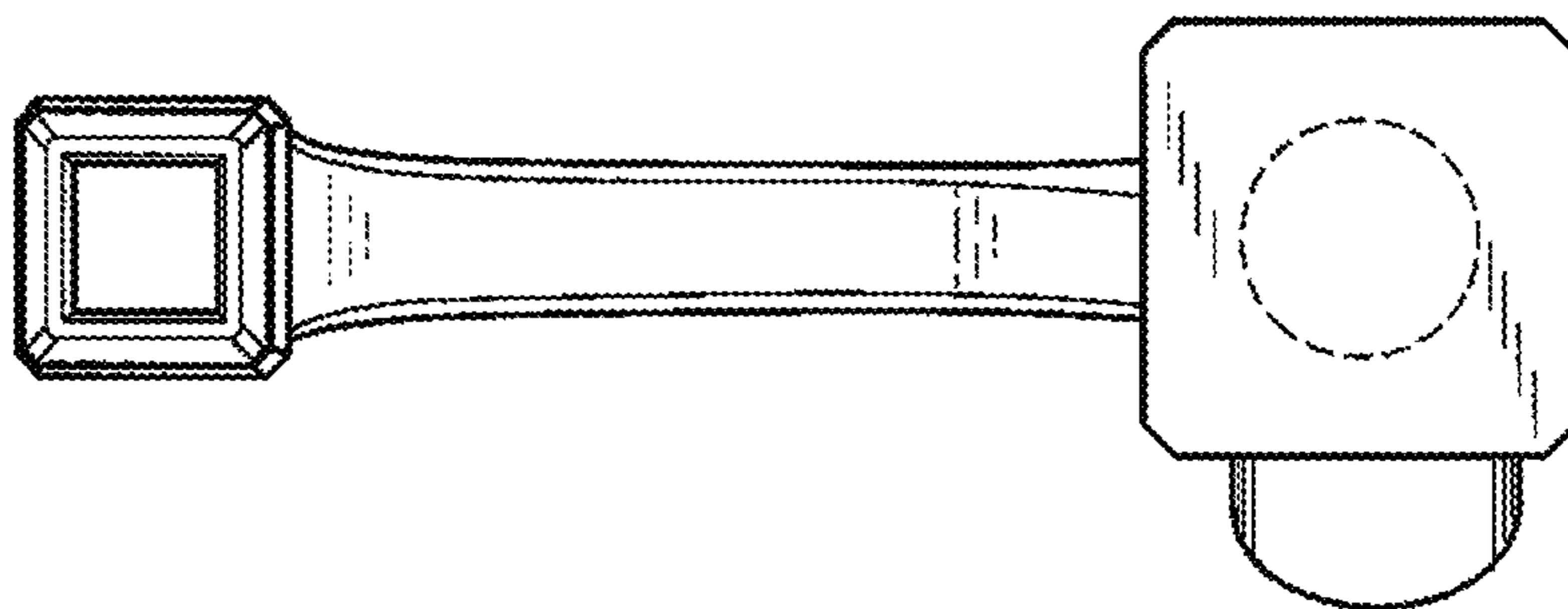


Fig-8