



US00D822796S

(12) **United States Design Patent** (10) **Patent No.:** **US D822,796 S**
Scaramucci et al. (45) **Date of Patent:** **** Jul. 10, 2018**

- | | |
|---|--|
| (54) VALVE BODY | 2007/0256746 A1* 11/2007 Chang F16K 5/0642
137/625.46 |
| (71) Applicant: Valve Innovations, LLC , Oklahoma City, OK (US) | 2008/0179558 A1* 7/2008 Lloyd F16K 5/0673
251/180 |
| (72) Inventors: John P. Scaramucci , Oklahoma City, OK (US); Danny R. Lowe , Oklahoma City, OK (US) | 2009/0146093 A1* 6/2009 Hartman F16K 5/0689
251/301 |
| (73) Assignee: Valve Innovations, LLC , Oklahoma City, OK (US) | 2013/0062546 A1* 3/2013 Saldivar F16K 5/0626
251/292 |
| | 2014/0116540 A1* 5/2014 Waldor F16K 15/183
137/533.11 |
| | 2015/0097132 A1* 4/2015 Fan F16K 27/067
251/213 |

(Continued)

(**) Term: **15 Years**

(21) Appl. No.: **29/570,195**

(22) Filed: **Jul. 6, 2016**

(51) **LOC (11) Cl.** **23-01**

(52) **U.S. Cl.**
USPC **D23/233**

(58) **Field of Classification Search**
USPC D23/233, 235, 236, 237, 241, 244, 247, D23/248; 251/292, 213, 301, 315.01, 251/315.16, 160, 172, 174, 180, 192, 286, 251/304; 137/533.11, 625.46, 15.22, 527
CPC F16K 27/067; F16K 5/0689
See application file for complete search history.

(56) **References Cited**

U.S. PATENT DOCUMENTS

3,345,032 A	10/1967	Rawstron	
3,516,638 A	6/1970	Piggott	
4,548,067 A	10/1985	Cox	
4,840,057 A	6/1989	Bingham	
4,852,387 A	8/1989	Bingham	
4,887,644 A	12/1989	Jeromson et al.	
5,152,503 A	10/1992	Conway	
5,293,903 A	3/1994	Appelwick	
5,735,307 A	4/1998	Charron	
D678,471 S *	3/2013	Sisk	D23/233
D692,099 S *	10/2013	Freeth	D23/233
D746,948 S *	1/2016	Hemman	D23/233

OTHER PUBLICATIONS

“Evans Ball Valves—Process Cooling Water System” Product Brochure, Evans Components, Inc. Retrieved from the Internet: <http://evanscomponents.com/PCWSFP.html>.

Primary Examiner — Cynthia Ramirez

Assistant Examiner — Gino Colan

(74) *Attorney, Agent, or Firm* — Dunlap Codding, P.C.

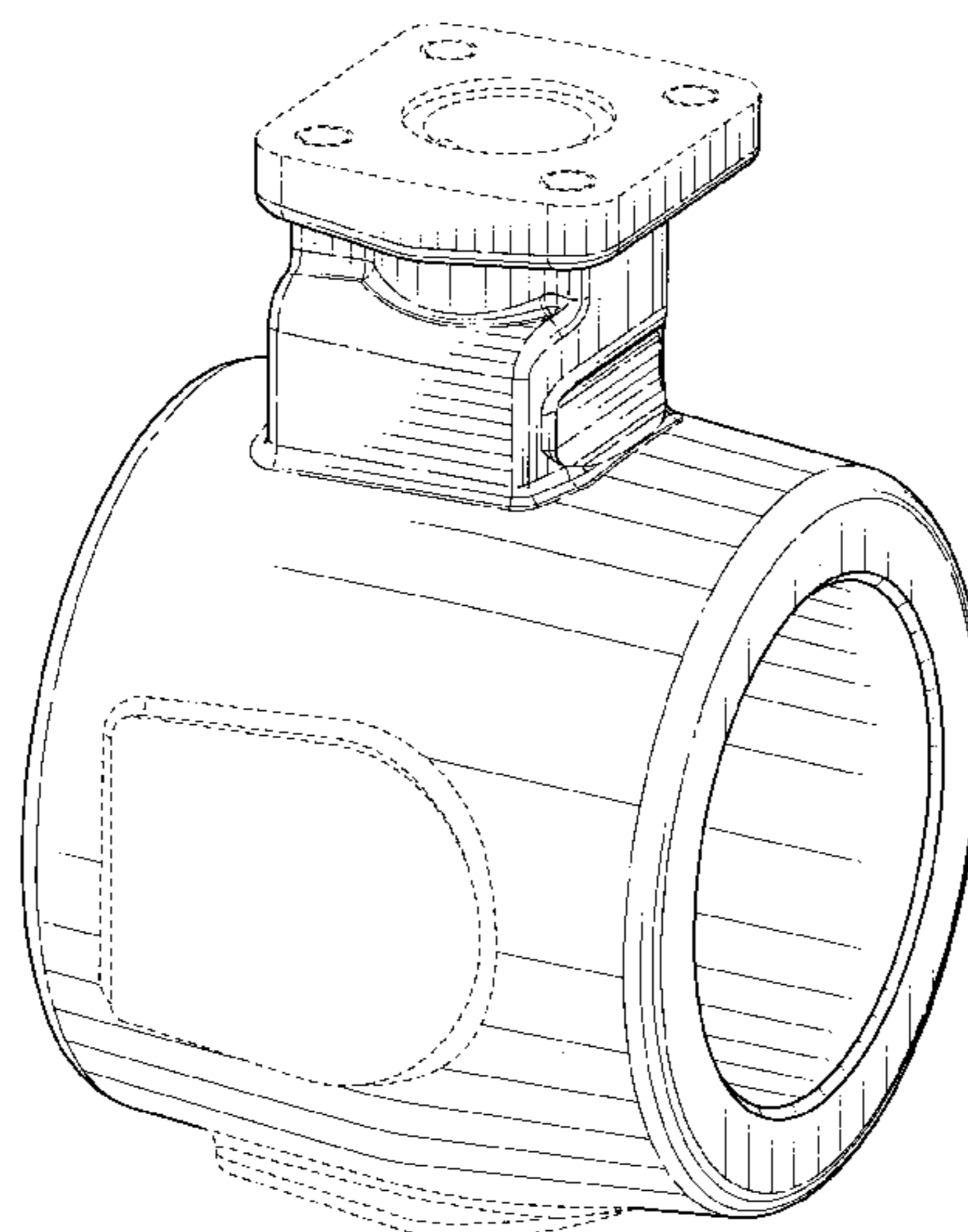
(57) **CLAIM**

The ornamental design for a valve body, as shown and described.

DESCRIPTION

FIG. 1 is a perspective view of a valve body showing our new design;
FIG. 2 is a front elevational view thereof;
FIG. 3 is a rear elevational view thereof;
FIG. 4 is a side elevational view thereof;
FIG. 5 is a side elevational view of a side opposite that shown in FIG. 4;
FIG. 6 is a top plan view thereof; and,
FIG. 7 is a bottom plan view thereof.
The broken lines represent environment that forms no part of the claim.

1 Claim, 4 Drawing Sheets



(56)

References Cited

U.S. PATENT DOCUMENTS

2015/0137020 A1* 5/2015 Fan F16K 5/0642
251/315.01
2017/0343118 A1* 11/2017 Balan B23P 19/00

* cited by examiner

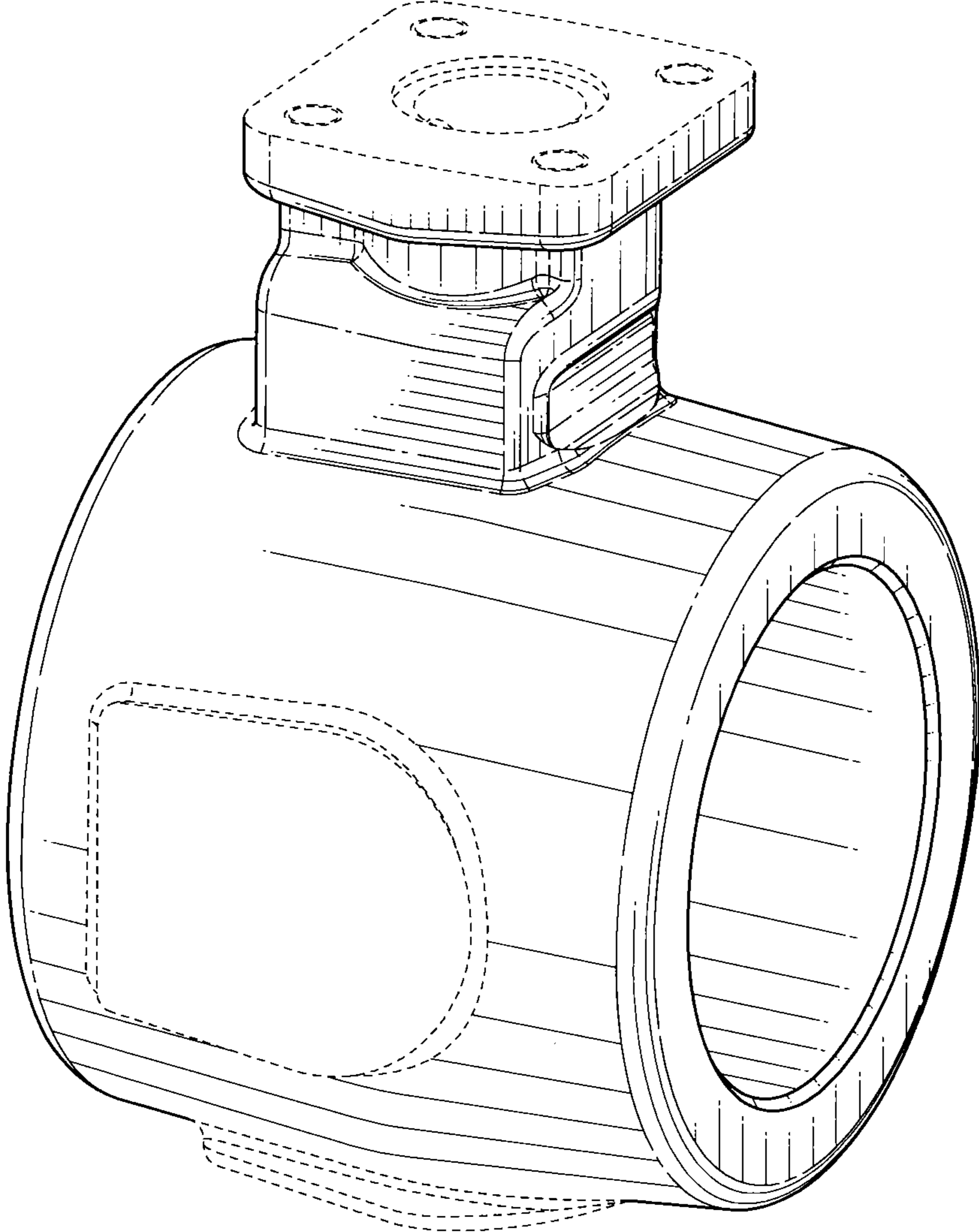


FIG. 1

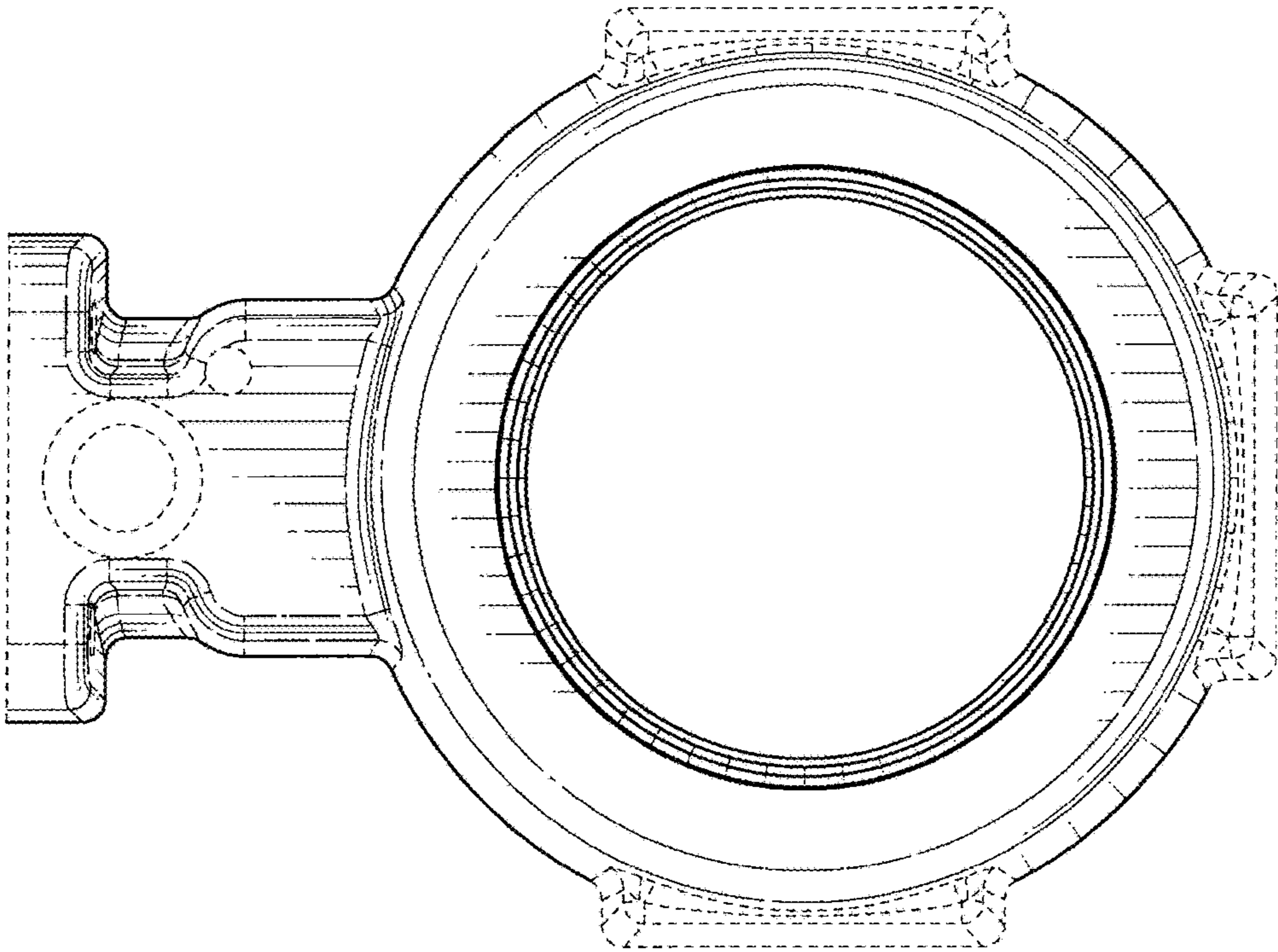


FIG. 2

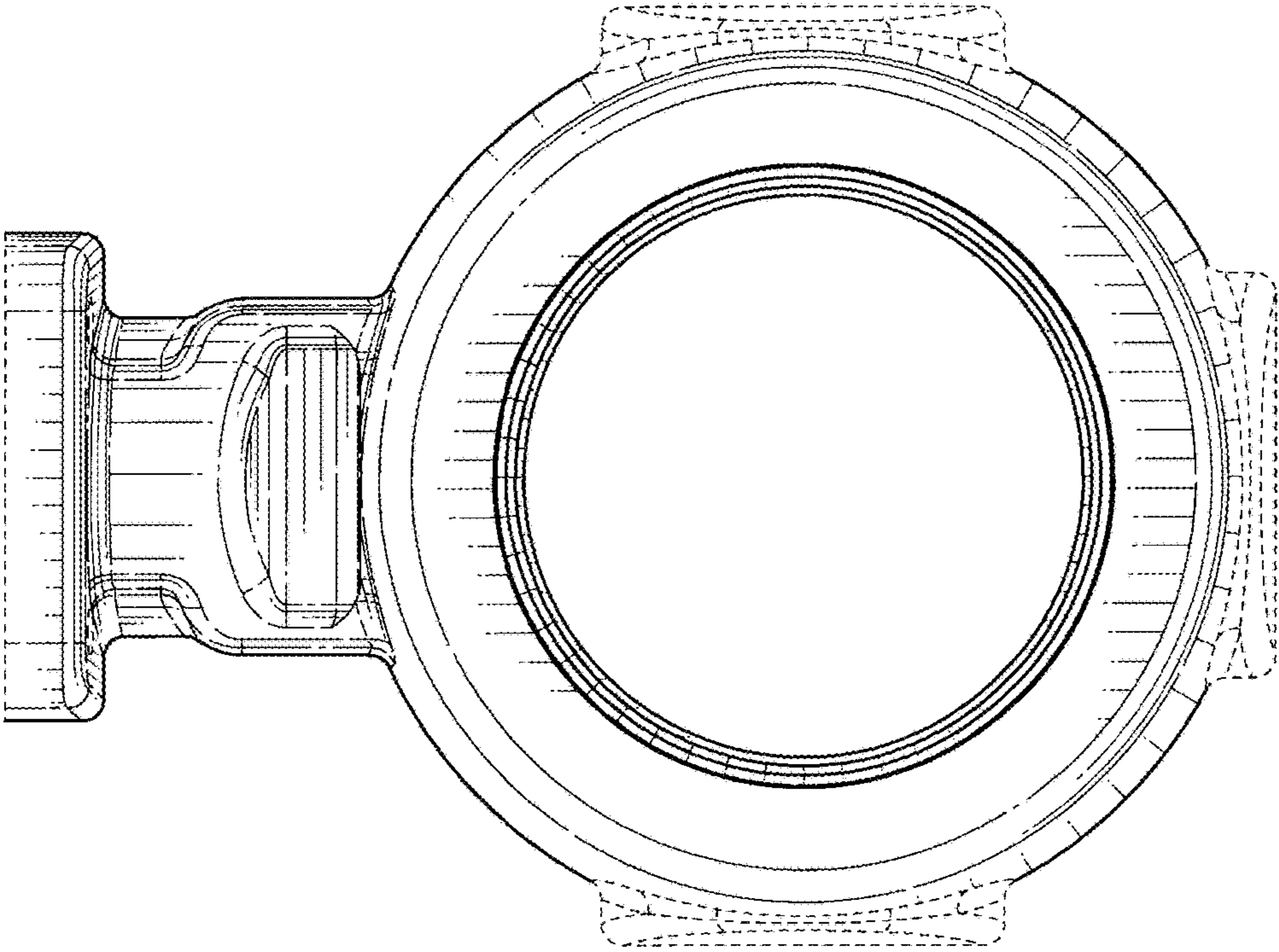


FIG. 3

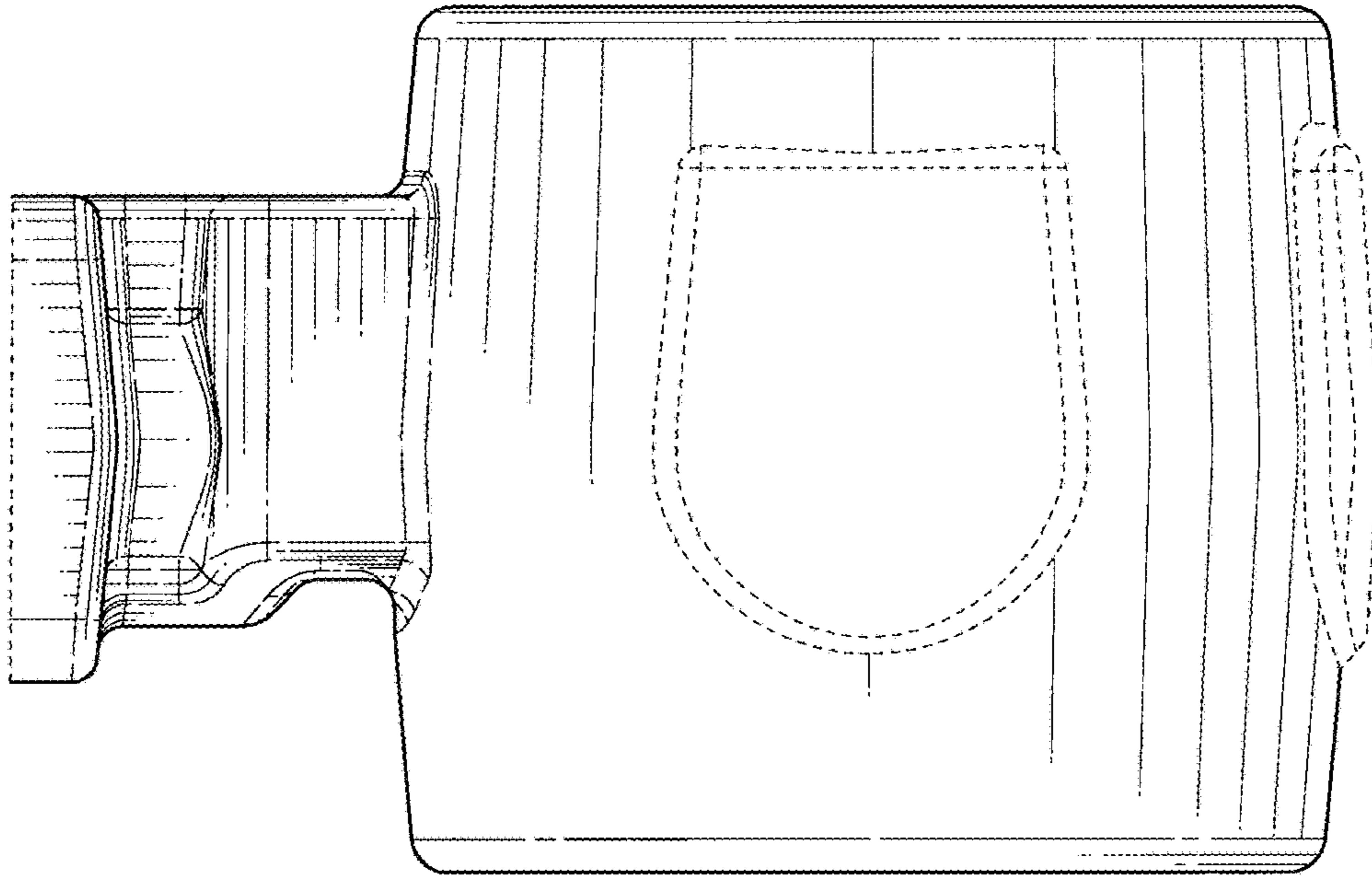


FIG. 4

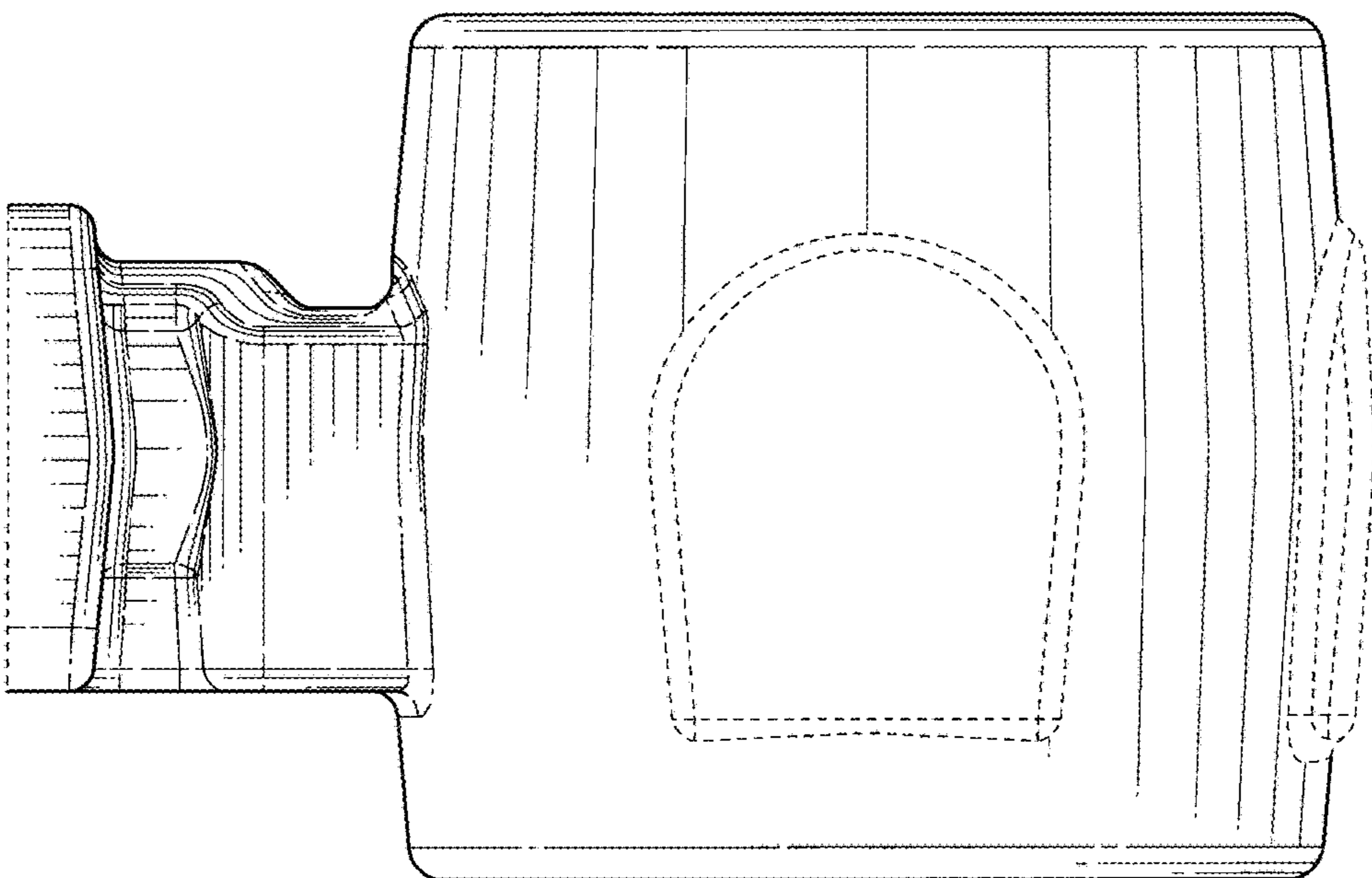


FIG. 5

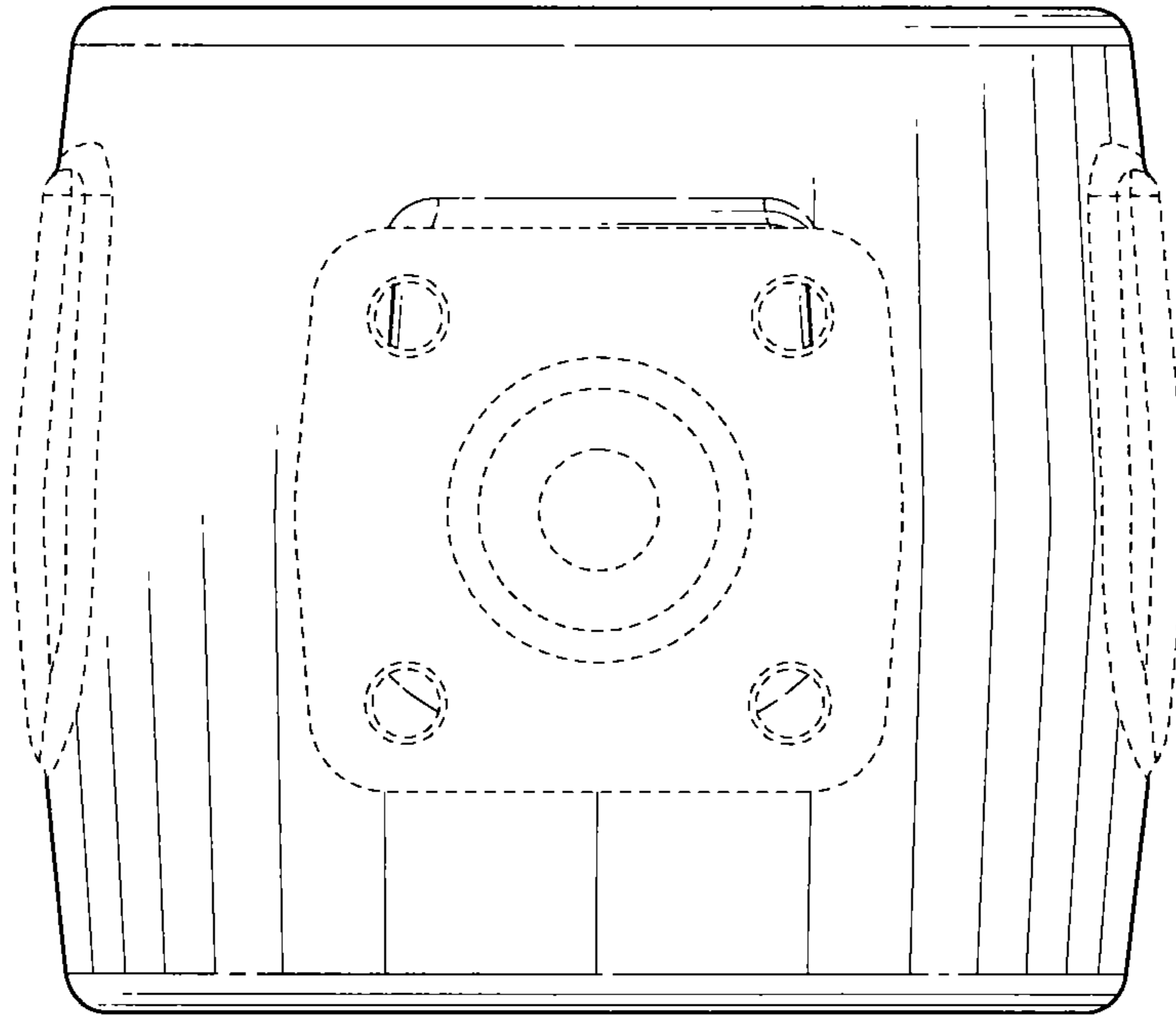


FIG. 6

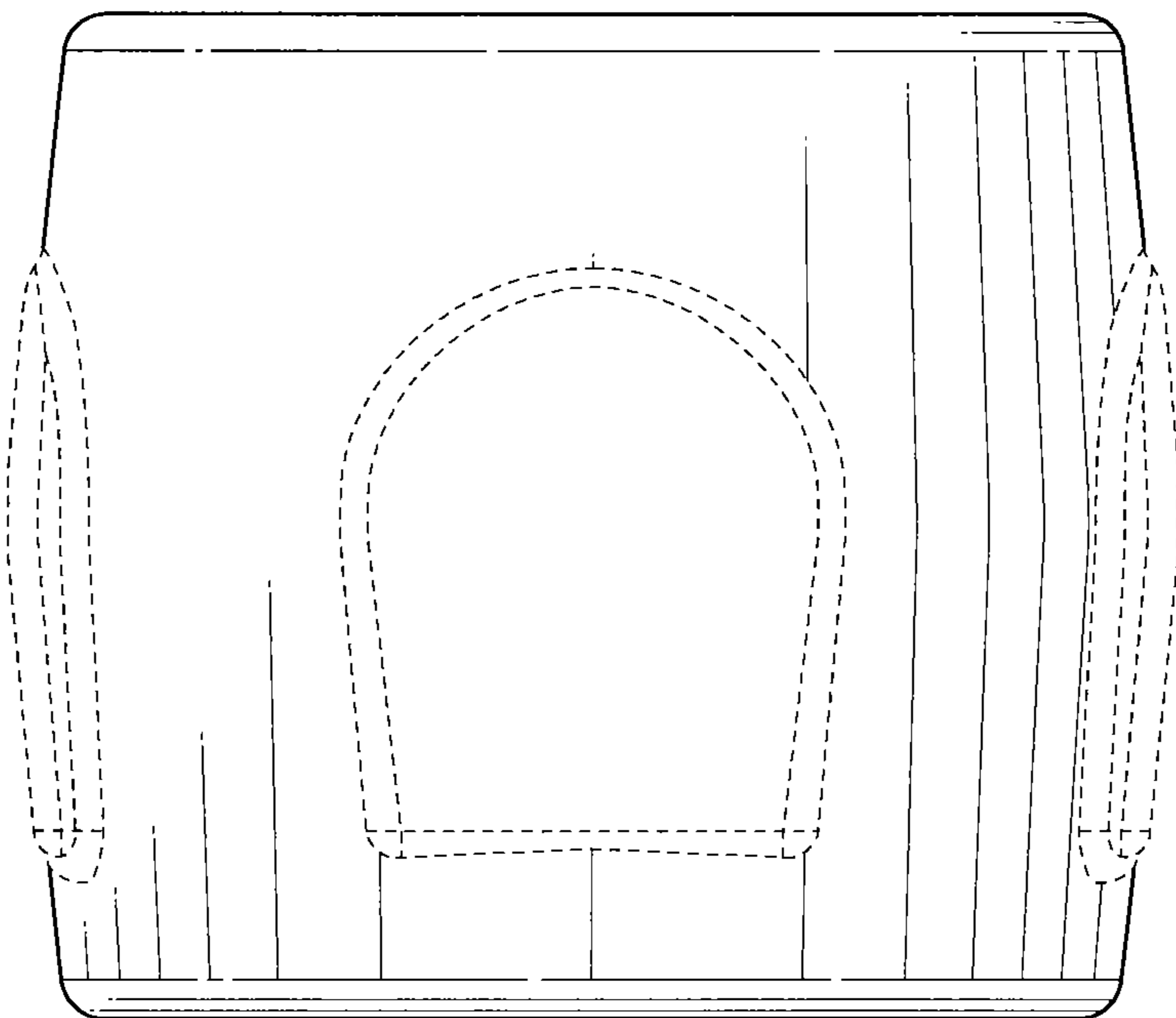


FIG. 7