



US00D822795S

(12) **United States Design Patent**
Peschel

(10) **Patent No.:** **US D822,795 S**
(45) **Date of Patent:** **** Jul. 10, 2018**

(54) **VALVE TERMINAL**

(71) Applicant: **FESTO AG & Co. KG**, Esslingen (DE)

(72) Inventor: **Jorg Peschel**, Esslingen (DE)

(73) Assignee: **FESTO AG & CO. KG**, Esslingen (DE)

(**) Term: **15 Years**

(21) Appl. No.: **29/560,126**

(22) Filed: **Apr. 4, 2016**

(30) **Foreign Application Priority Data**

Oct. 6, 2015 (WO) 926112001

(51) **LOC (11) Cl.** **23-01**

(52) **U.S. Cl.**
USPC **D23/233**

(58) **Field of Classification Search**

USPC D23/233, 234, 235, 236, 237, 238, 239, 240, 241, 242, 243, 24, 245, 246, 247, 248, 249, 250, 259, 255; D15/7, 199; 4/249, 255.03, 300, 305, 4/319, 323, 325, 378, 392-396, 420, 427, 4/431-435, 437, 438, 440-442, 661; 137/1, 50, 57, 61, 61.1, 357, 115.23, 137/596.14, 599.07, 487.5, 271, 269, 137/625.64, 343, 882, 557; 251/331, 291, 251/15, 129.04, 129.15, 129.01, 30.04, 251/25, 38, 28, 41, 172; 239/585.1
CPC F16K 31/0675; F16K 13/02; F16K 15/02; F16K 15/063; F16K 17/003; F15B 13/0817; F15B 13/0828; F15B 13/0839; F15B 13/0846; F15B 13/0857; F15B 13/0875; F15B 20/00; F15B 13/0814; F15B 13/0821; F15B 13/0832; F16L 29/00; F24F 11/04; F24F 13/10

See application file for complete search history.

(56) **References Cited**

U.S. PATENT DOCUMENTS

D532,865 S * 11/2006 Miyazoe D23/233
D533,628 S * 12/2006 Miyazoe D23/233
D594,931 S * 6/2009 Miyazoe D23/233
D594,932 S * 6/2009 Miyazoe D23/233
D594,933 S * 6/2009 Miyazoe D23/233
D595,810 S * 7/2009 Miyazoe D23/233
D597,174 S * 7/2009 Miyazoe D23/233
D599,889 S * 9/2009 Oshima D23/233
D600,783 S * 9/2009 Narita D23/233
D606,168 S * 12/2009 Miyazoe D23/233

(Continued)

OTHER PUBLICATIONS

Festo, "Valve terminals VTUB-12," pp. 1-4, (2015).

(Continued)

Primary Examiner — Cynthia Ramirez

Assistant Examiner — Michael A Maharajh

(74) *Attorney, Agent, or Firm* — Hoffmann & Baron, LLP

(57) **CLAIM**

The ornamental design for a valve terminal, as shown and described.

DESCRIPTION

FIG. 1 is a top perspective view of a valve terminal showing my new design;

FIG. 2 is a front view thereof;

FIG. 3 is a rear view thereof;

FIG. 4 is a left view thereof;

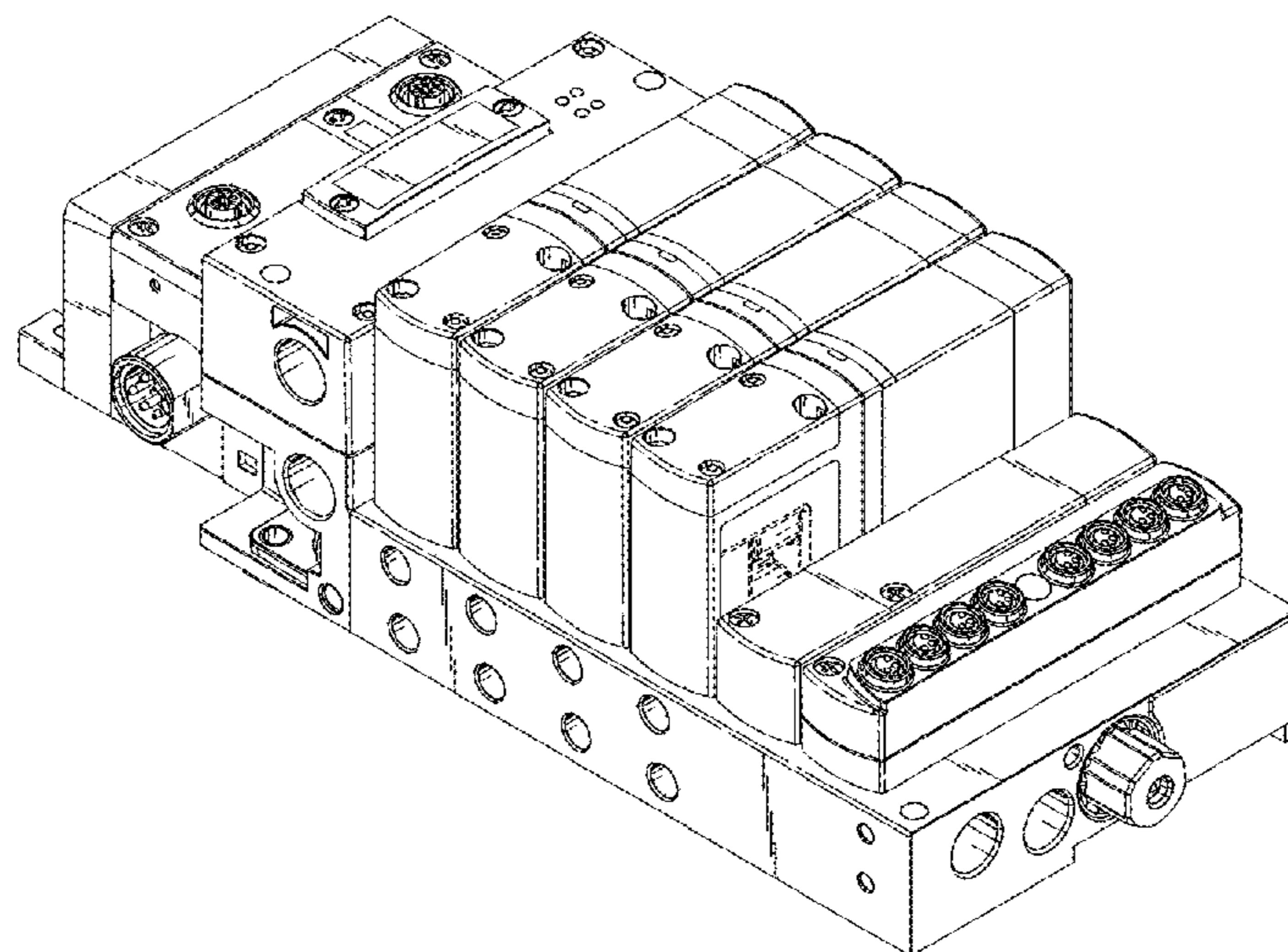
FIG. 5 is a right view thereof;

FIG. 6 is a top plan view thereof; and,

FIG. 7 is a bottom plan view thereof.

The broken lines in FIGS. 1-7 are included for the purpose of illustrating portions that form no part of the claimed design.

1 Claim, 7 Drawing Sheets



(56)

References Cited

U.S. PATENT DOCUMENTS

D616,964 S *	6/2010	Miyazoe	D23/233
D616,965 S *	6/2010	Miyazoe	D23/233
D621,477 S *	8/2010	Miyazoe	D23/233
D621,910 S *	8/2010	Miyazoe	D23/233
8,347,921 B2 *	1/2013	Narita	F16K 27/003 137/271
D731,028 S *	6/2015	Weidner	D23/233
D747,783 S *	1/2016	Birke	D23/233
2012/0199770 A1 *	8/2012	Alessandro	F16K 11/07 251/129.15

OTHER PUBLICATIONS

Festo, "Vavle terminal VTSA/VTSA-F," pp. 1-6, (2015).
Festo, "Solenoid valves VUVG/valve terminals VTUG," pp. 1-3
and 88-91, (2015).

* cited by examiner

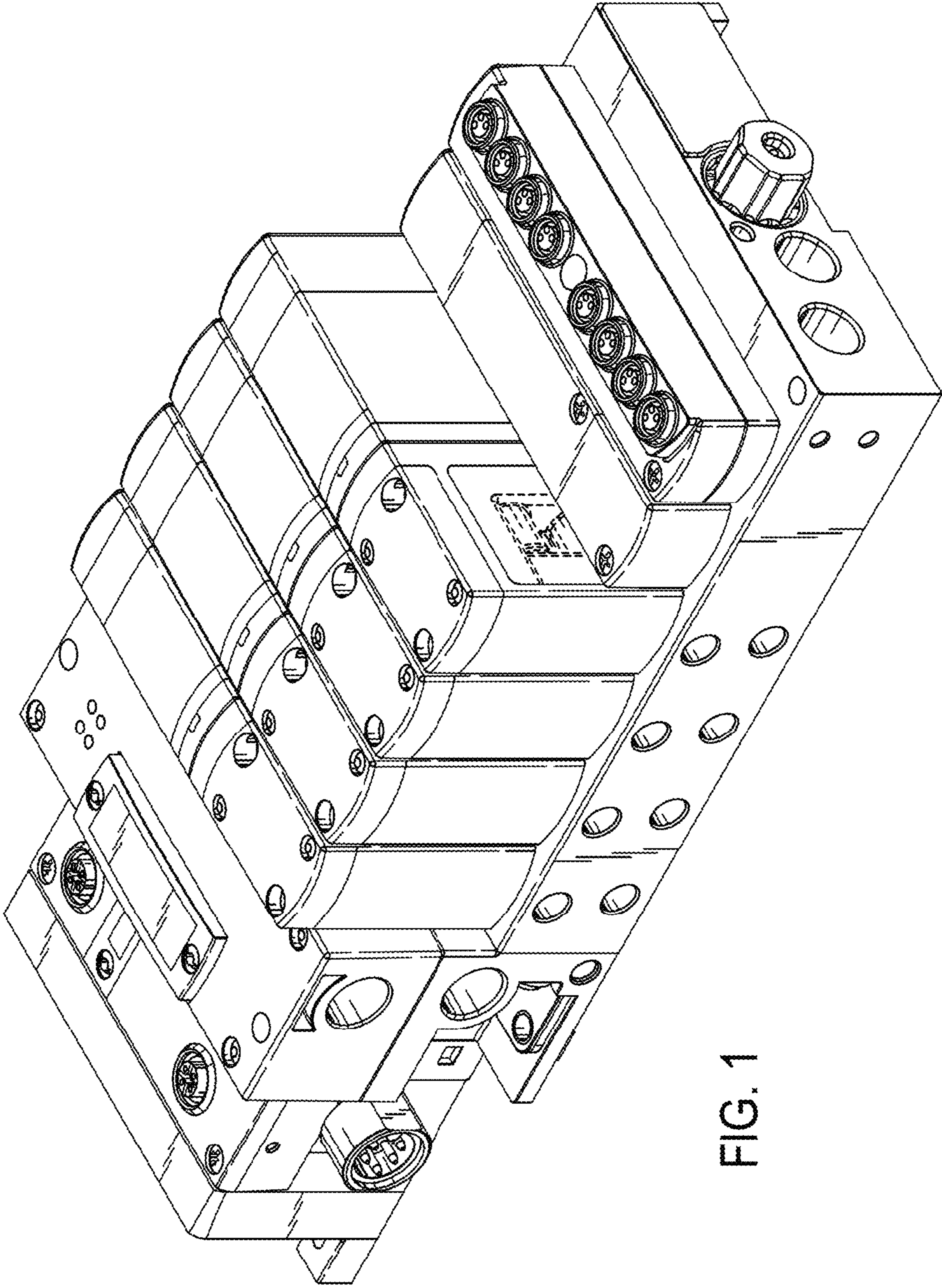


FIG. 1

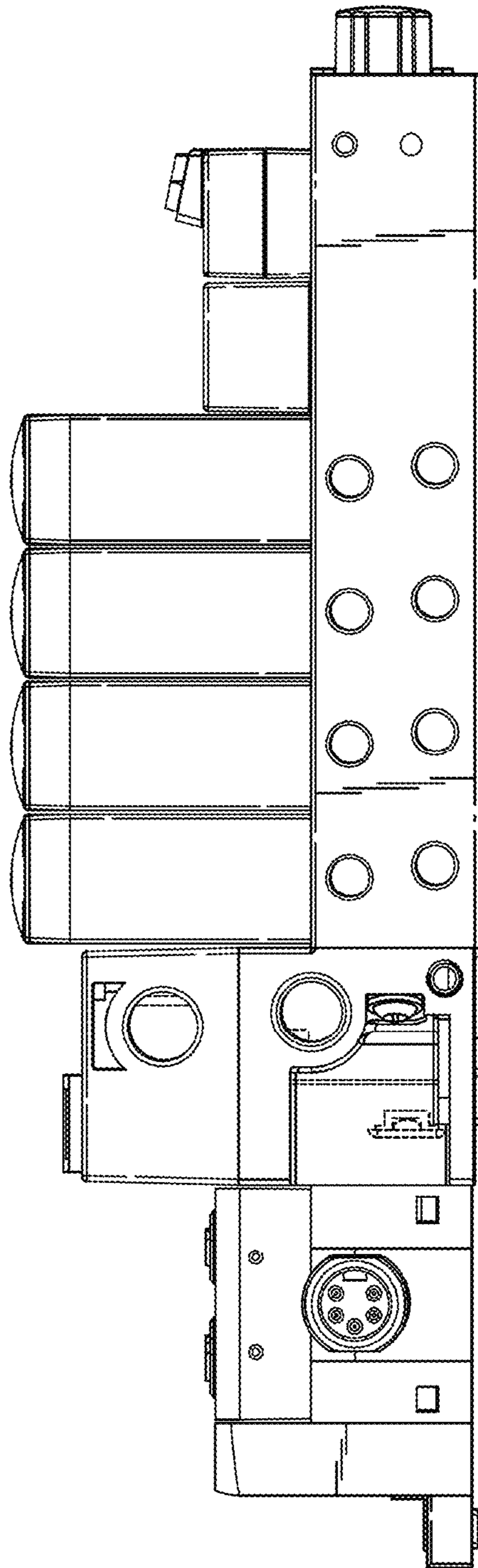


FIG. 2

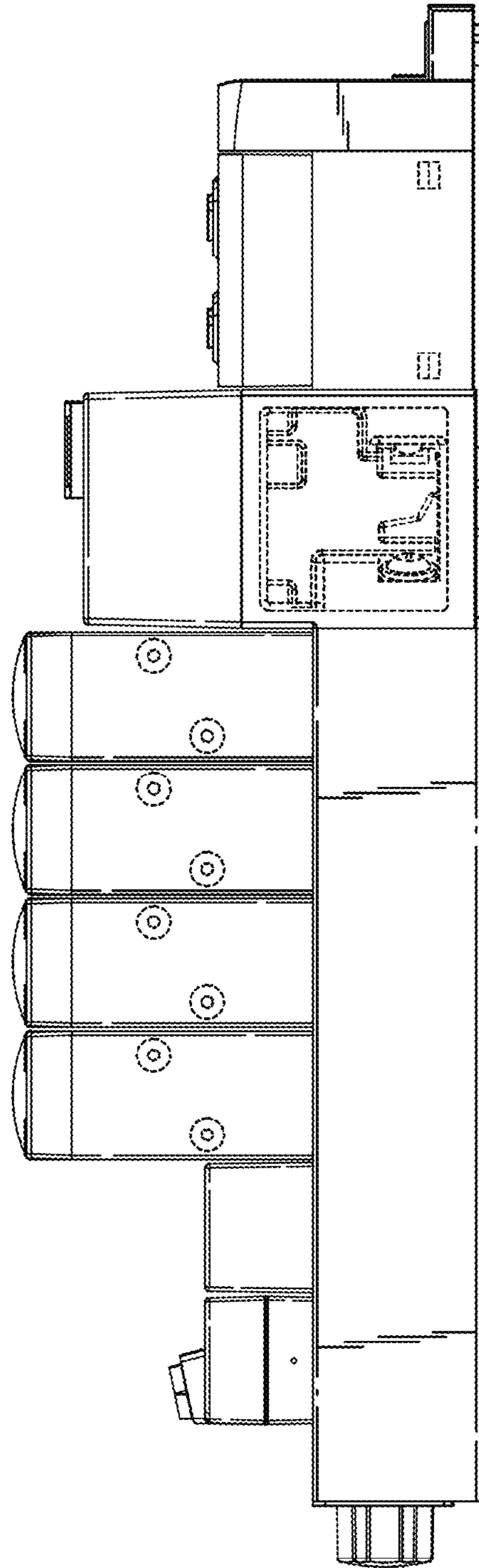


FIG. 3

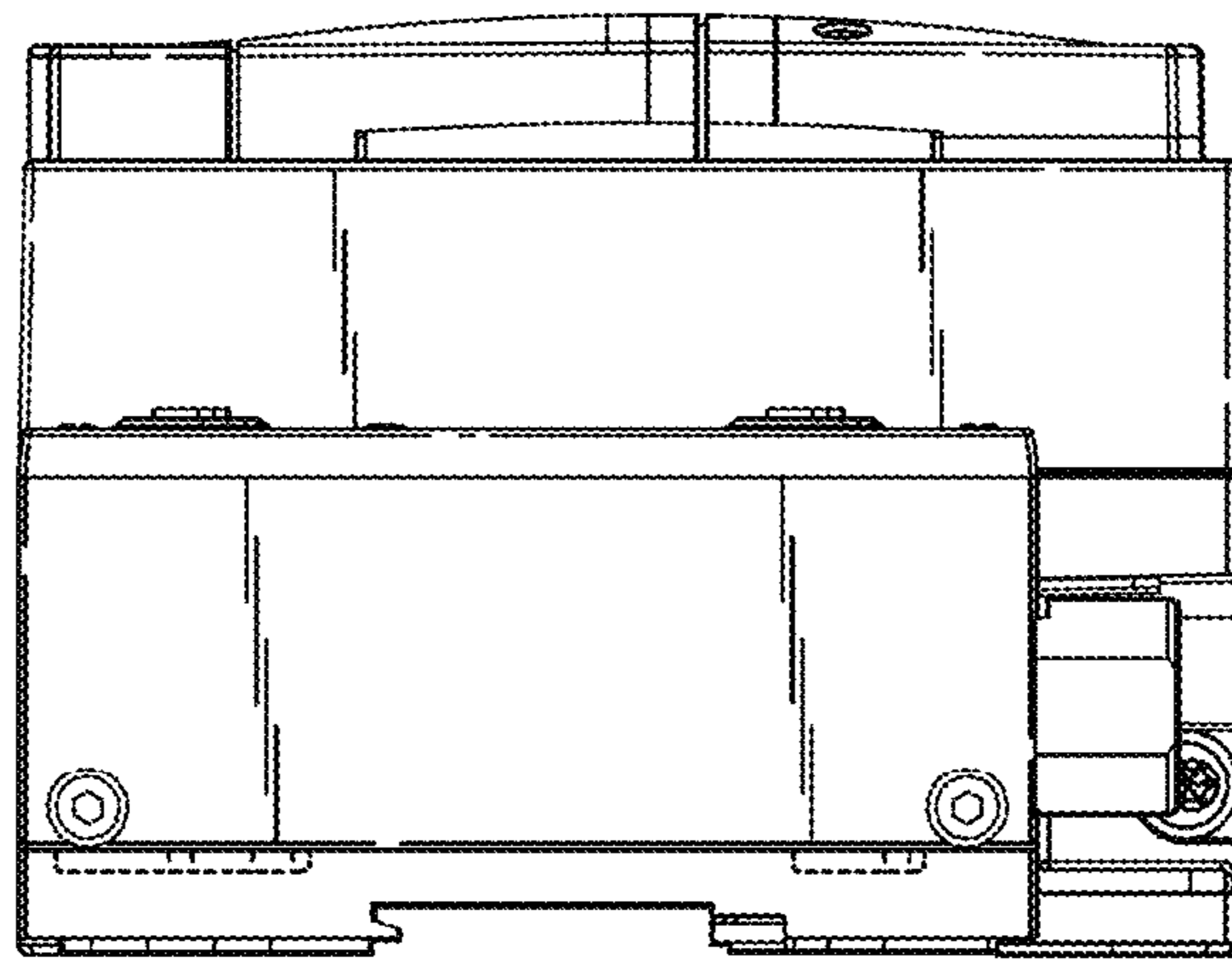


FIG. 4

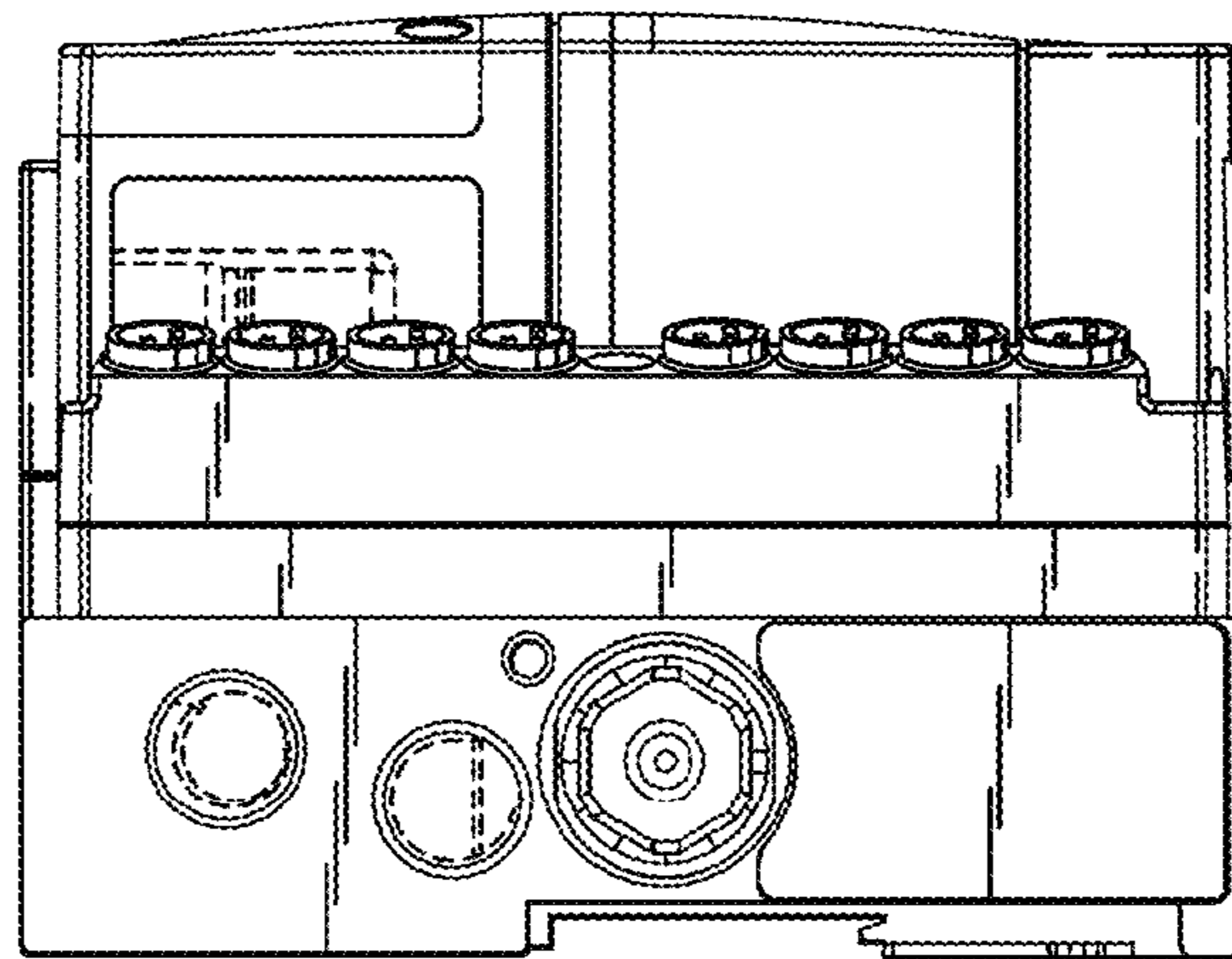


FIG. 5

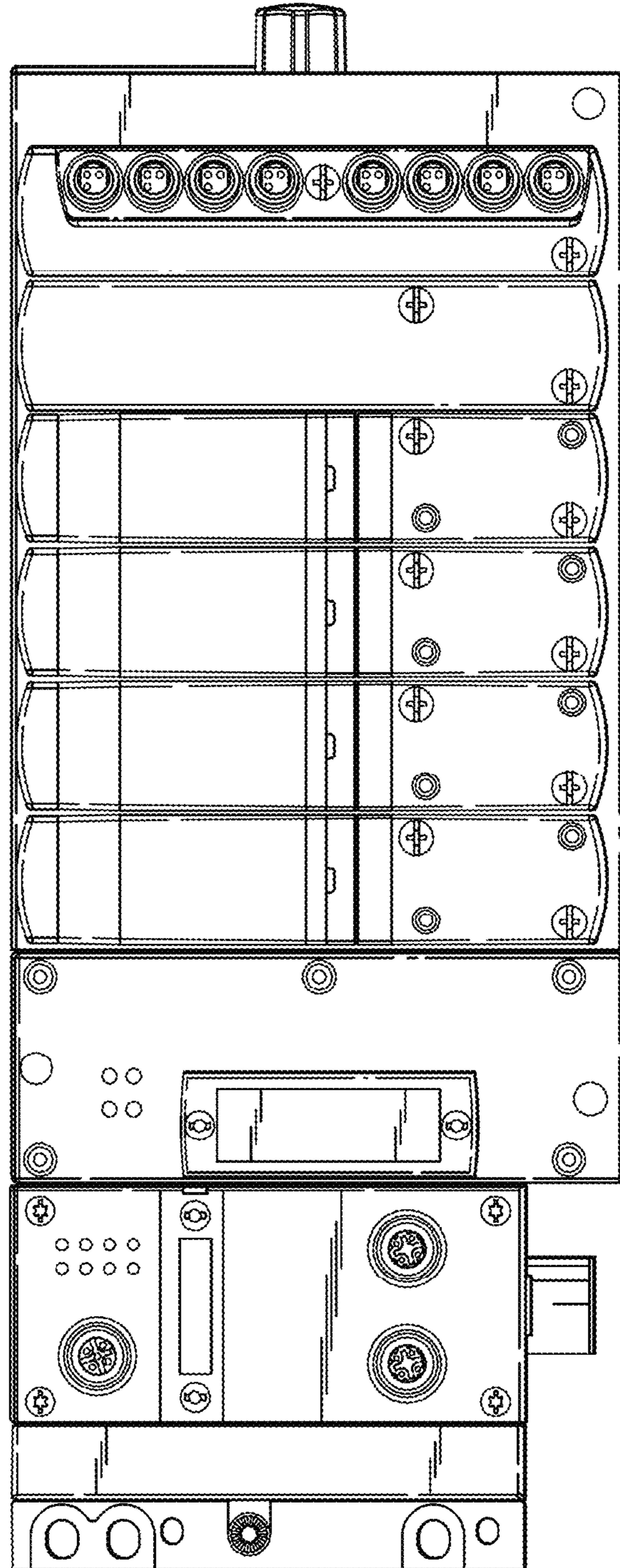


FIG. 6

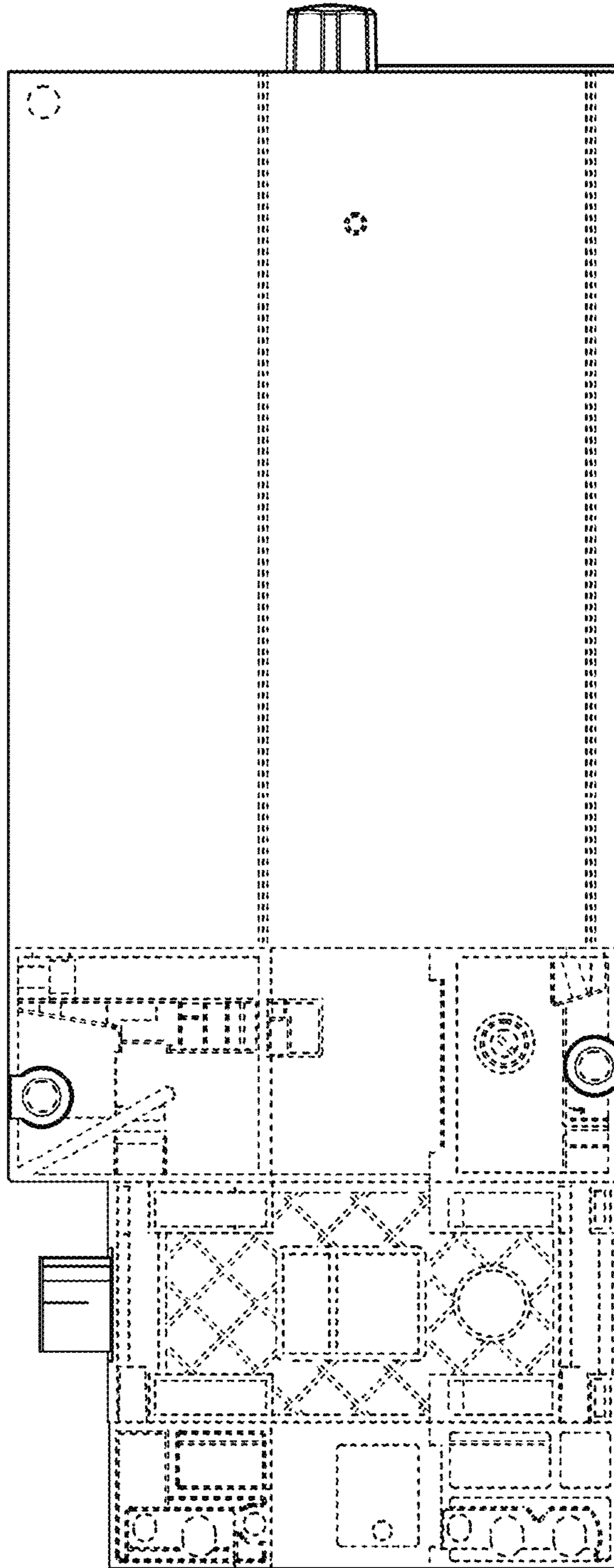


FIG. 7