

US00D822794S

(12) **United States Design Patent**
Blenkush et al.

(10) **Patent No.:** **US D822,794 S**
(45) **Date of Patent:** **** Jul. 10, 2018**

(54) **TEXTURE SPRAYER**
(71) Applicant: **Graco Minnesota Inc.**, Minneapolis, MN (US)
(72) Inventors: **William M. Blenkush**, Becker, MN (US); **Jeromy D. Horning**, Albertville, MN (US); **Brett J. Carlson**, Rogers, MN (US); **Joshua D. Roden**, Blaine, MN (US); **Steven R. Kuczynski**, New Brighton, MN (US)

8,979,001 B2 * 3/2015 Peterson B05B 9/01
239/146
D733,840 S * 7/2015 Butler D23/225
D771,222 S * 11/2016 Pellin D23/225
D792,946 S * 7/2017 Johnston D23/225
D794,162 S * 8/2017 Johnston D23/225
D800,252 S * 10/2017 Zientara D23/225
D803,983 S * 11/2017 Legatt B05B 9/01
D23/225
D806,212 S * 12/2017 Legatt B62B 1/12
D23/225

(73) Assignee: **Graco Minnesota Inc.**, Minneapolis, MN (US)

Graco Inc. "Pulverizadores de Texturas" Brochure, p. 26 TexSpray Mark X 24 Volt, 343780ESLAB published Feb. 2016.
Graco Inc. "Mark Max Standard" Brochure, p. 3, TexSpray Mark VII, 300715ENEUA published Jun. 2014.

(**) Term: **15 Years**

* cited by examiner

(21) Appl. No.: **29/592,034**

Primary Examiner — Robin V Webster

(22) Filed: **Jan. 26, 2017**

(51) **LOC (11) Cl.** **23-01**

(57) **CLAIM**

(52) **U.S. Cl.**
USPC **D23/225**

The ornamental design for a texture sprayer, as shown and described.

(58) **Field of Classification Search**
USPC D23/213, 225
CPC A01C 23/001; B05B 9/007; B05B 7/0815
See application file for complete search history.

DESCRIPTION

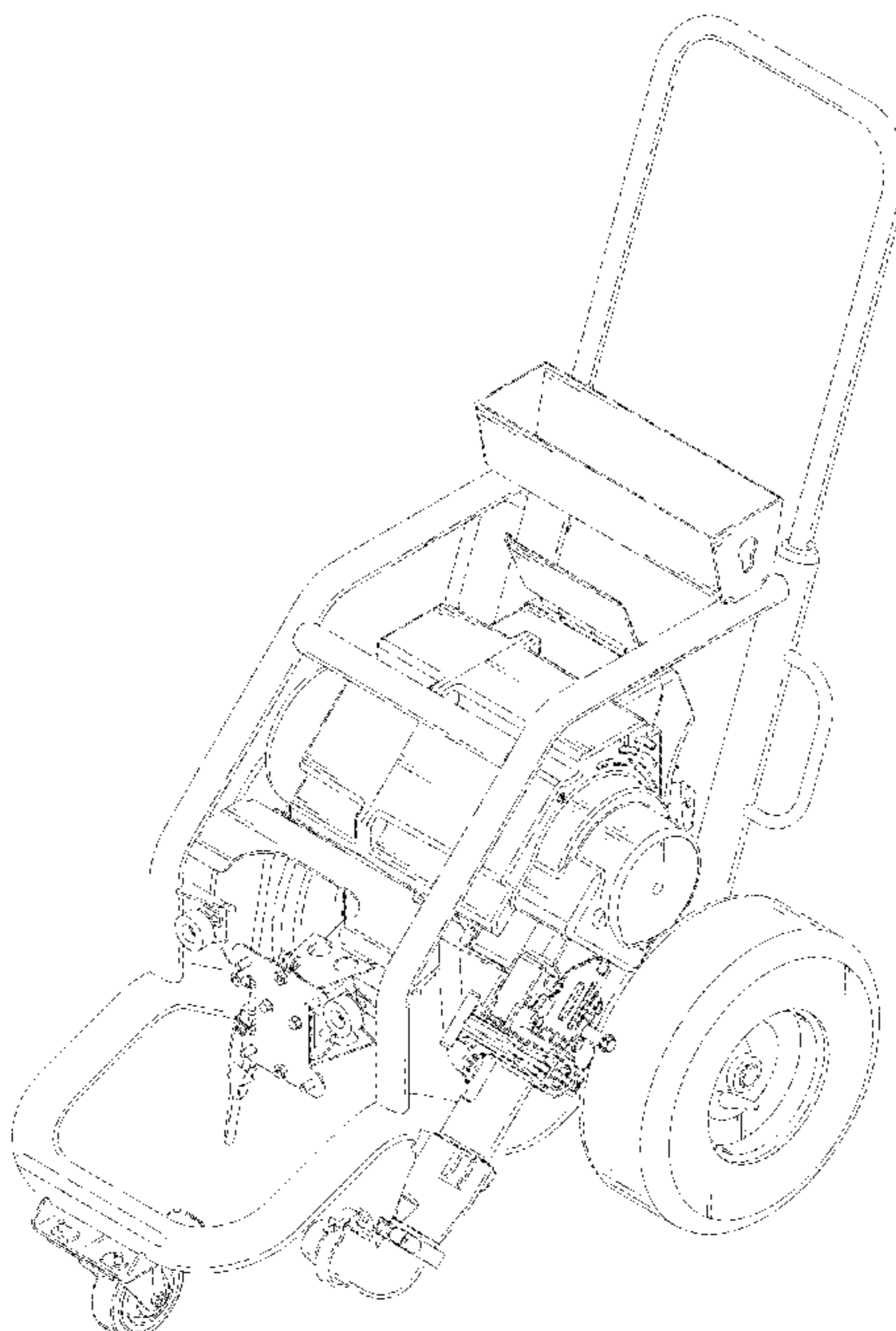
(56) **References Cited**

FIG. 1 is a front isometric view of a texture sprayer;
FIG. 2 is a rear isometric view thereof;
FIG. 3 is a front view thereof;
FIG. 4 is a left side view thereof;
FIG. 5 is a rear view thereof;
FIG. 6 is a right side view thereof;
FIG. 7 is a top view thereof; and,
FIG. 8 is a bottom view thereof.

U.S. PATENT DOCUMENTS

D597,173 S * 7/2009 Mulgrew D23/225
D608,414 S * 1/2010 Legatt D23/225
D616,064 S * 5/2010 Mattson D23/225
8,602,323 B2 * 12/2013 Bearup B62B 1/12
239/146
D709,992 S * 7/2014 O'Leary D23/225

1 Claim, 8 Drawing Sheets



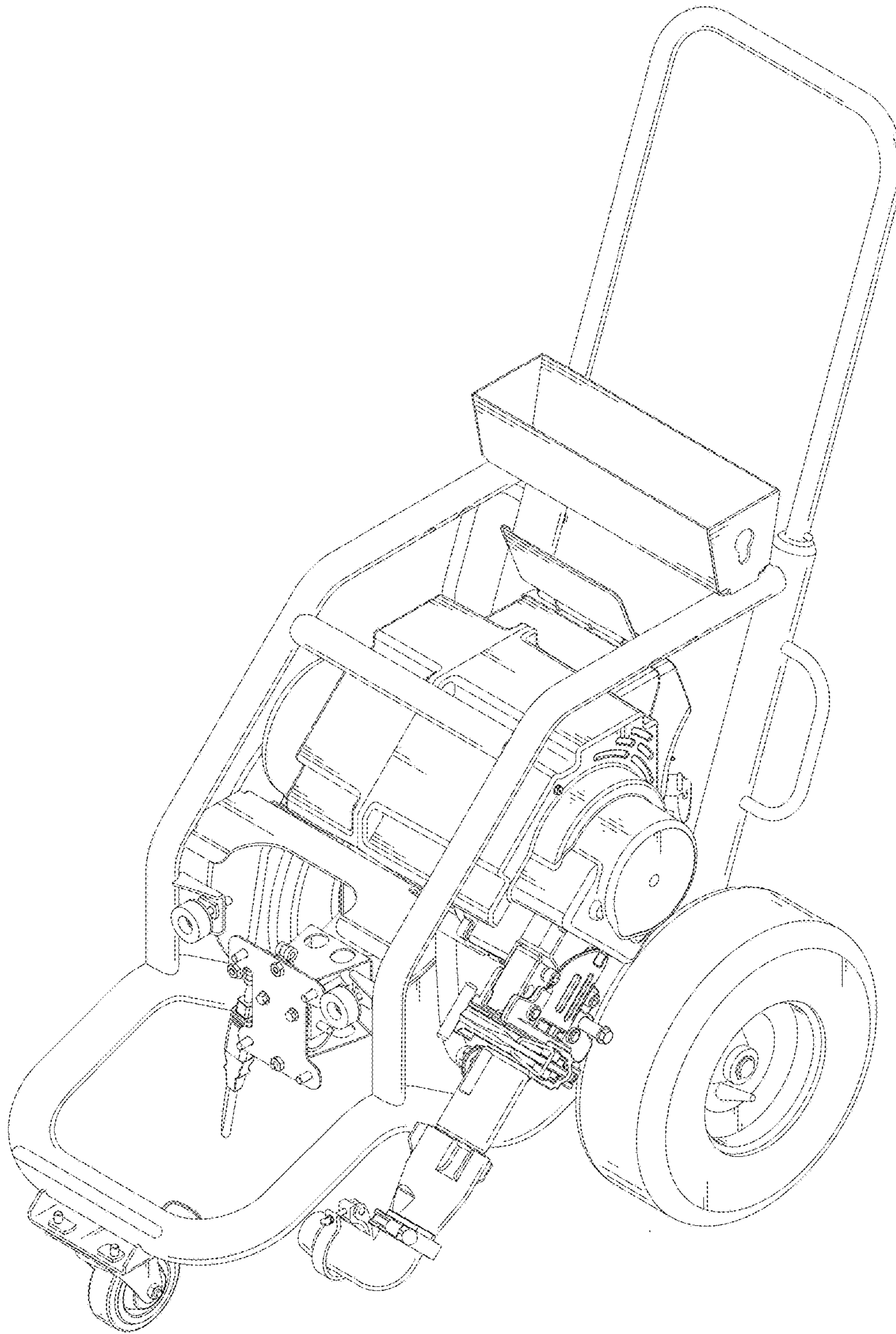


FIG. 1

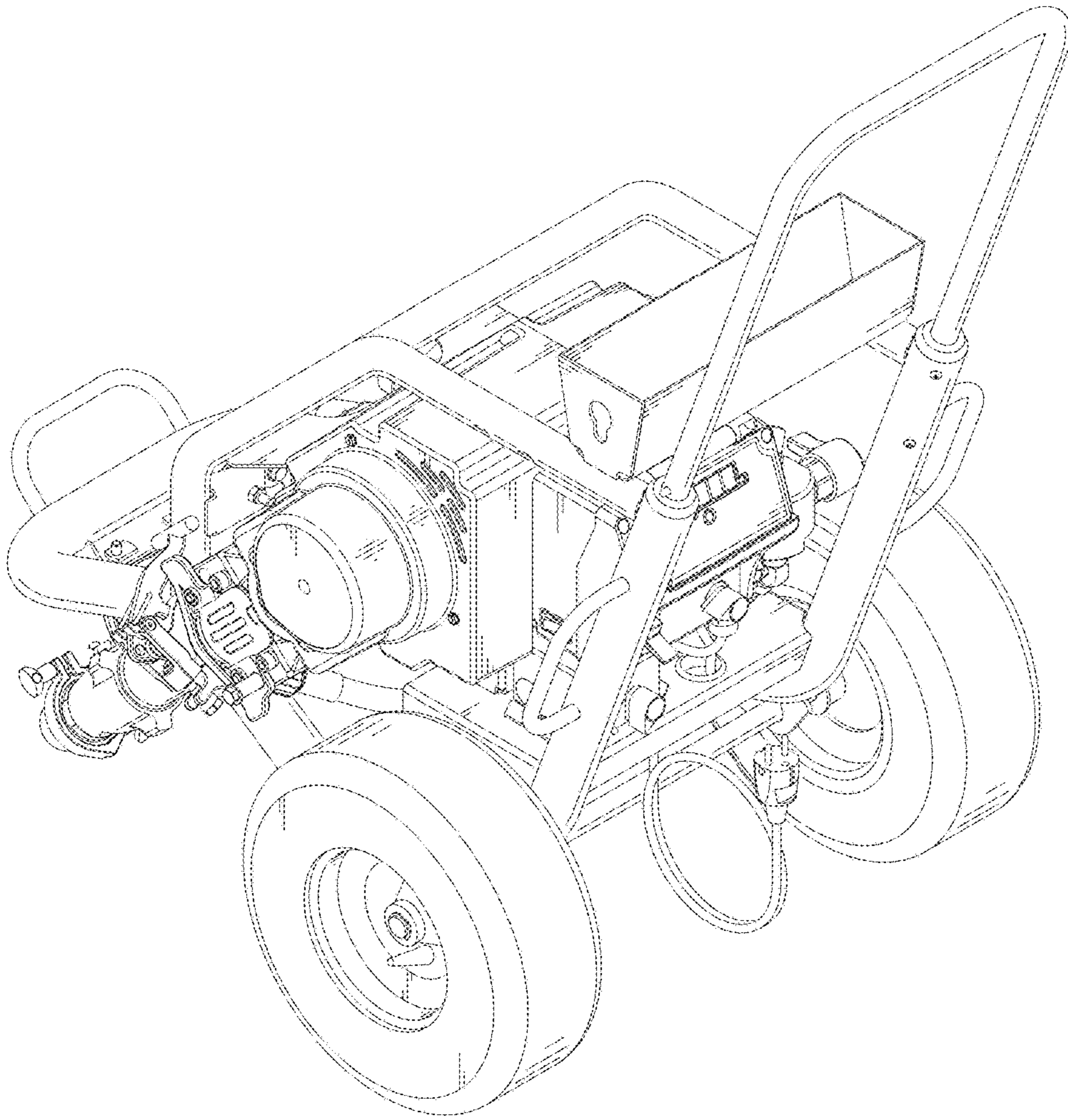


FIG. 2

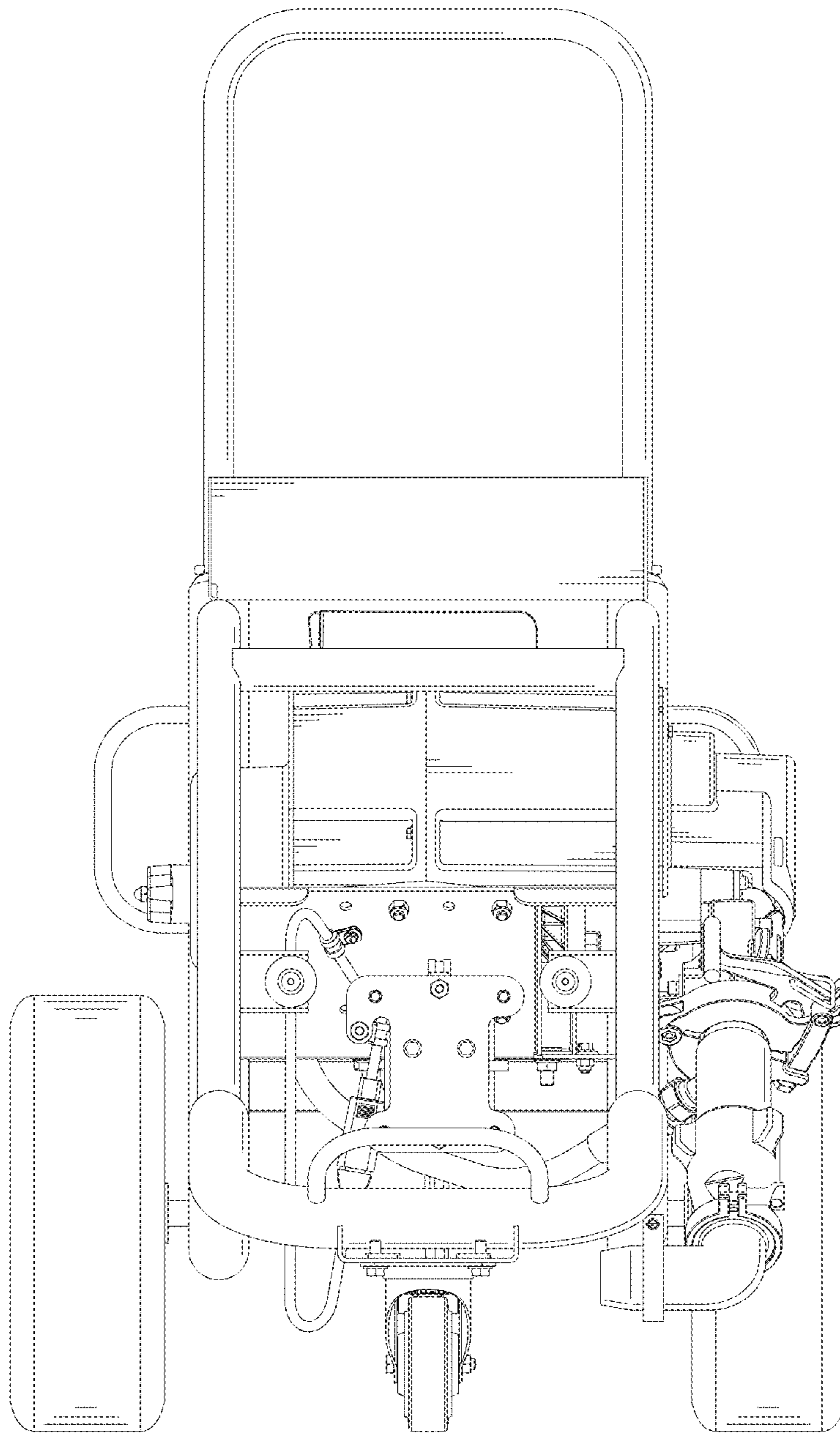


FIG. 3

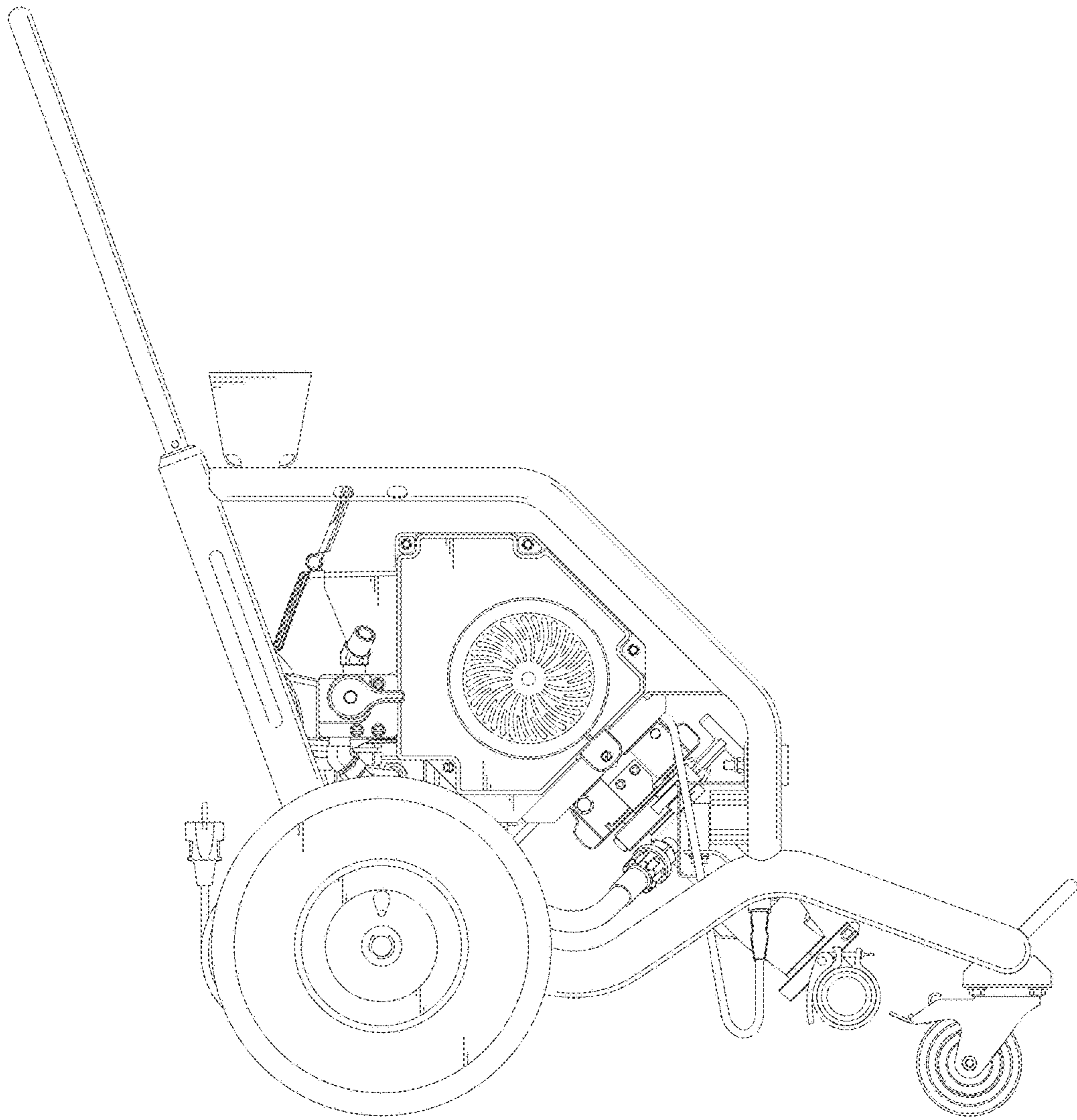


FIG. 4

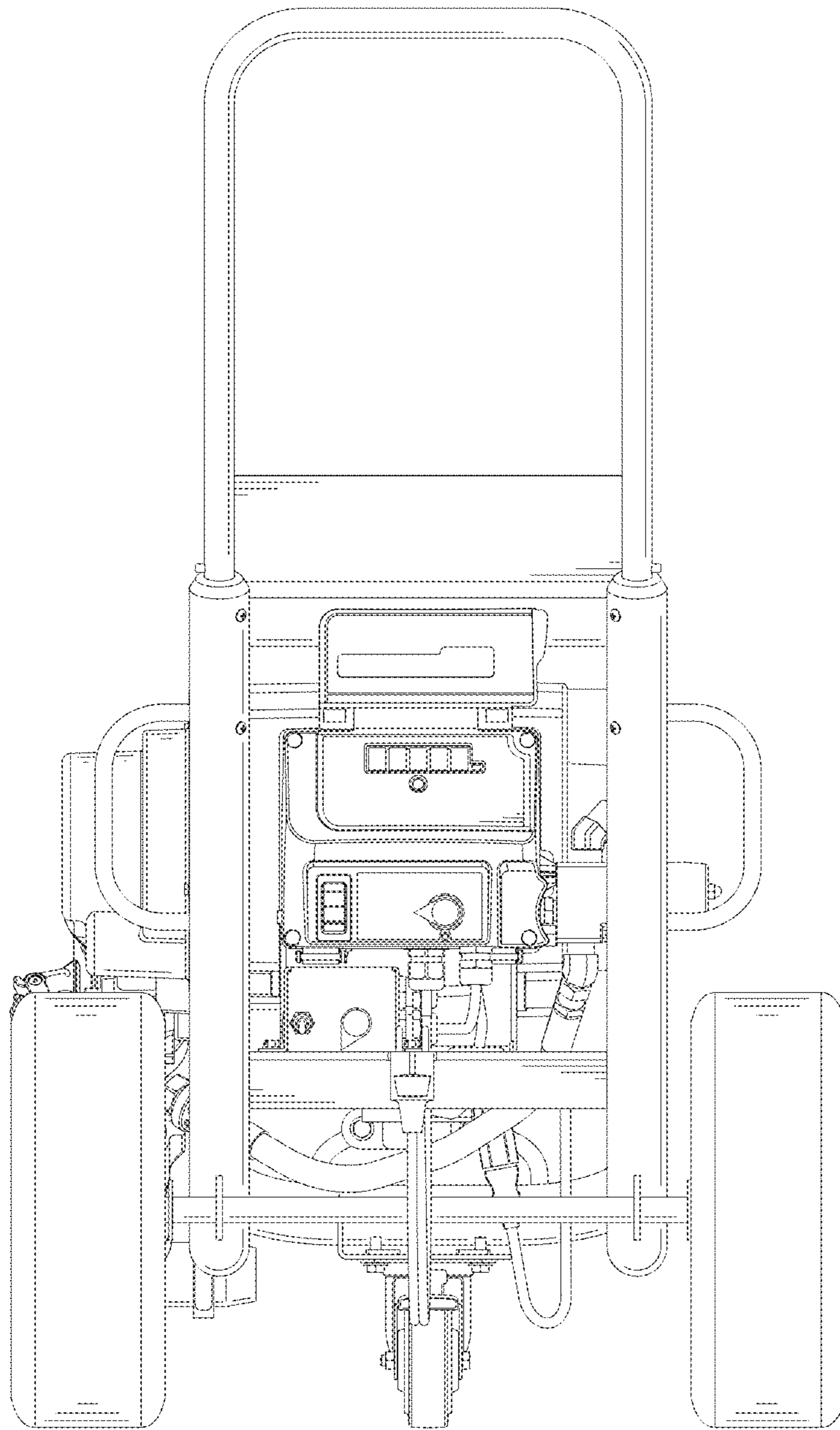


FIG. 5

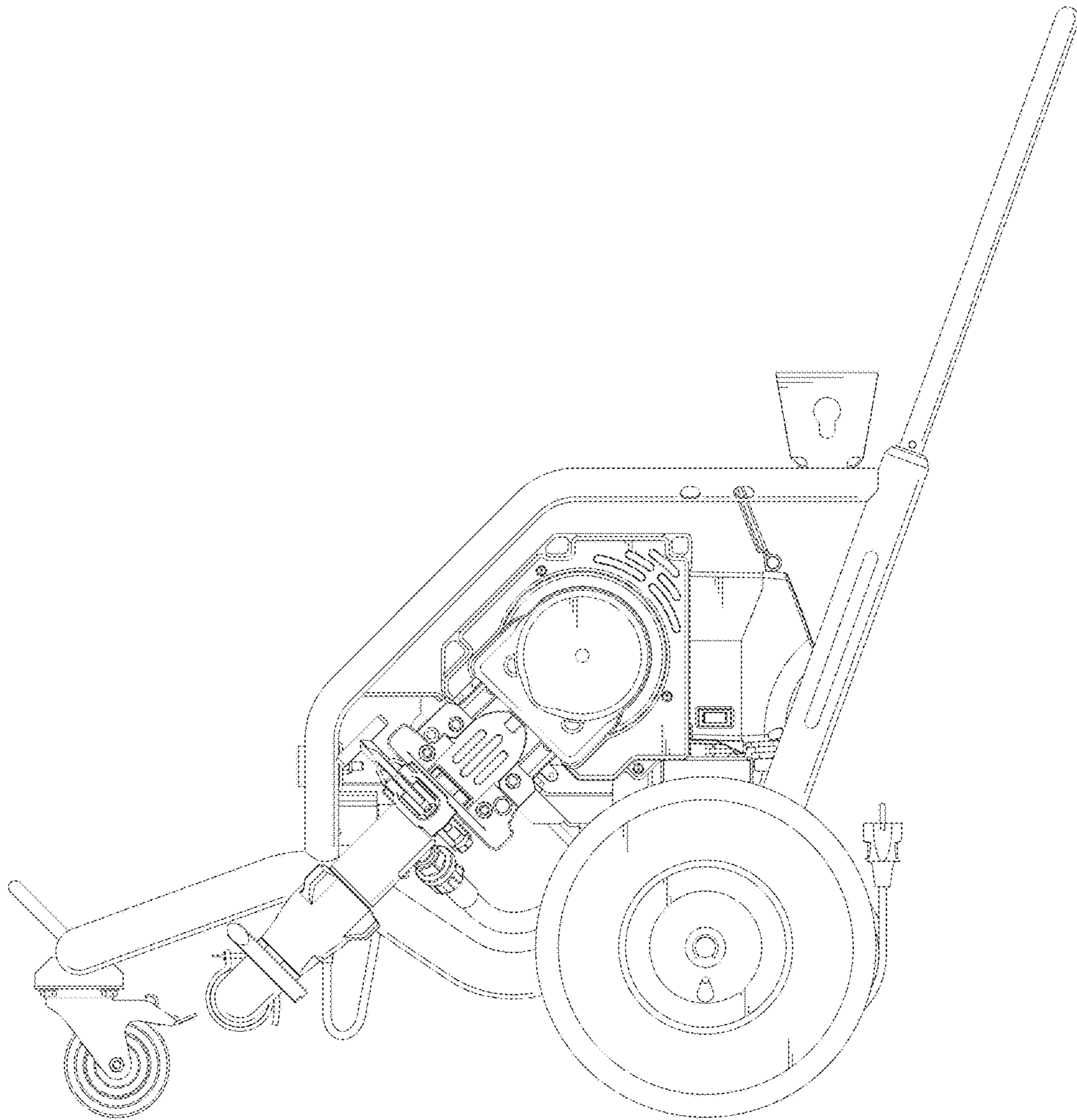


FIG. 6

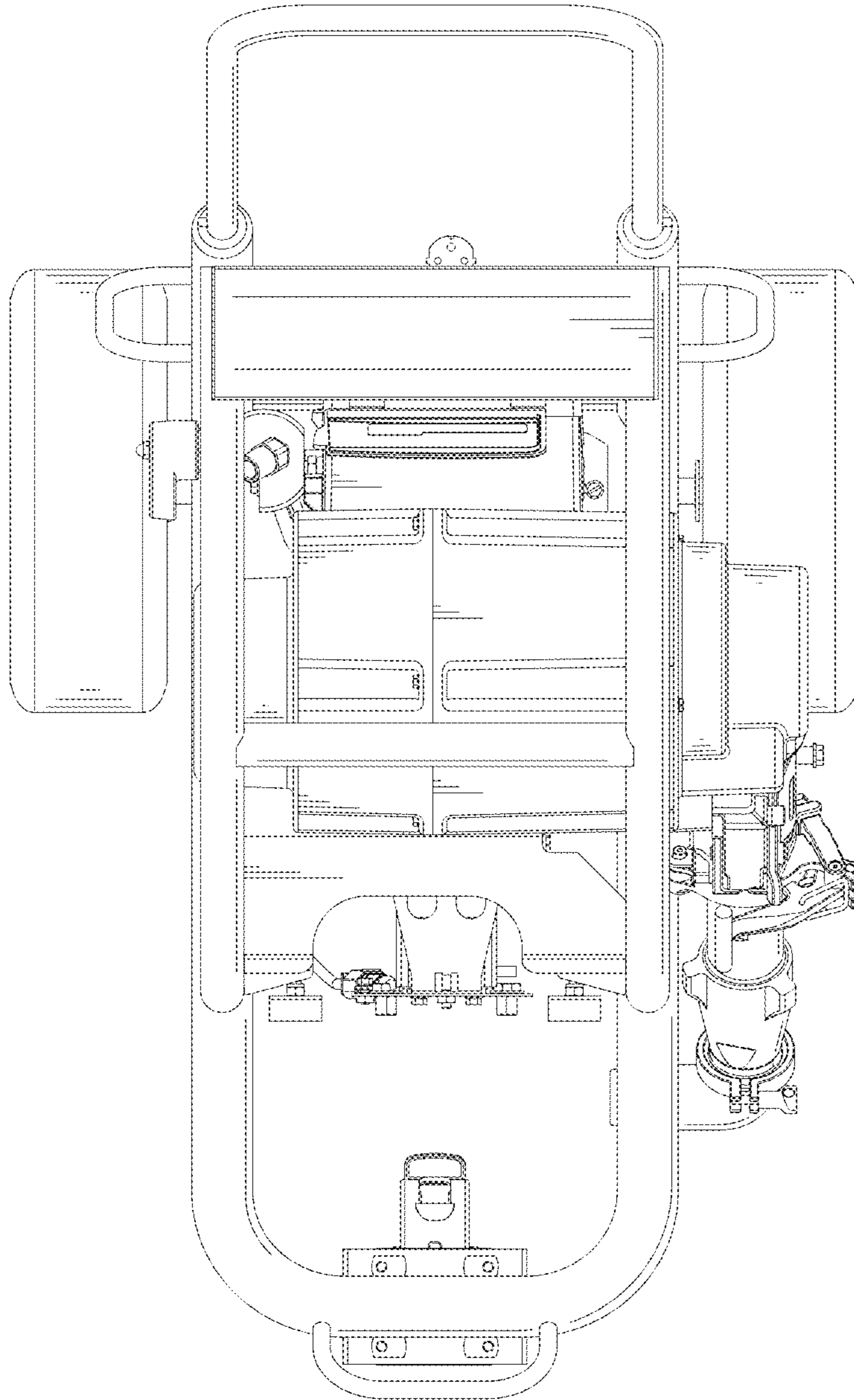


FIG. 7

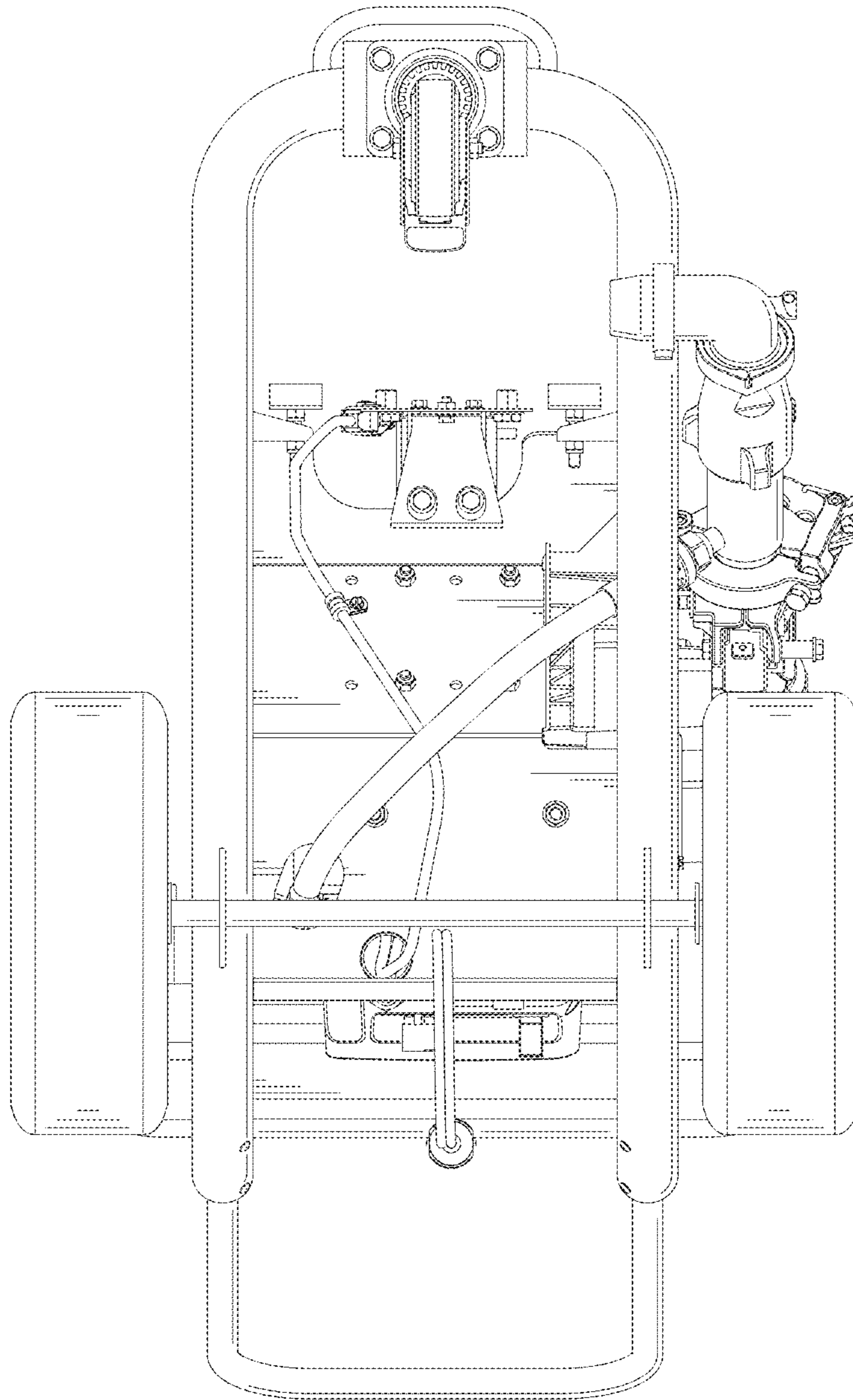


FIG. 8