



US00D822793S

(12) **United States Design Patent**  
**Torii et al.**

(10) **Patent No.:** **US D822,793 S**  
(45) **Date of Patent:** **\*\* Jul. 10, 2018**

(54) **FLOWING WATER STERILIZATION  
MODULE**

(71) Applicant: **NIKKISO CO., LTD.**, Tokyo (JP)

(72) Inventors: **Nobuhiro Torii**, Ishikawa (JP); **Shinya  
Watanabe**, Ishikawa (JP); **Tetsumi  
Ochi**, Tokyo (JP)

(73) Assignee: **Nikkiso Co., Ltd.**, Tokyo (JP)

(\*\*) Term: **15 Years**

(21) Appl. No.: **29/595,496**

(22) Filed: **Feb. 28, 2017**

(30) **Foreign Application Priority Data**

Sep. 16, 2016 (JP) ..... 2016-020146

(51) **LOC (11) Cl.** ..... **23-01**

(52) **U.S. Cl.**  
USPC ..... **D23/207**

(58) **Field of Classification Search**

USPC ..... D23/207, 209; 210/232, 238, 282;  
422/24

CPC ..... B01D 35/30; B01D 19/0031; C02F 1/003;  
C02F 1/283; A61L 2/10

See application file for complete search history.

(56) **References Cited**

**U.S. PATENT DOCUMENTS**

D361,823 S \* 8/1995 Layton ..... D23/200  
6,099,799 A \* 8/2000 Anderson ..... A61L 2/10  
210/256

7,651,660 B2 \* 1/2010 Kaiser ..... A23L 3/28  
210/319

8,834,789 B2 \* 9/2014 Schiene ..... C02F 1/325  
422/22

D735,292 S \* 7/2015 Johnson ..... D23/207

D806,206 S \* 12/2017 Konagayoshi ..... D23/207

\* cited by examiner

*Primary Examiner* — Robin V Webster

(74) *Attorney, Agent, or Firm* — Muncy, Geissler, Olds &  
Lowe, P.C.

(57) **CLAIM**

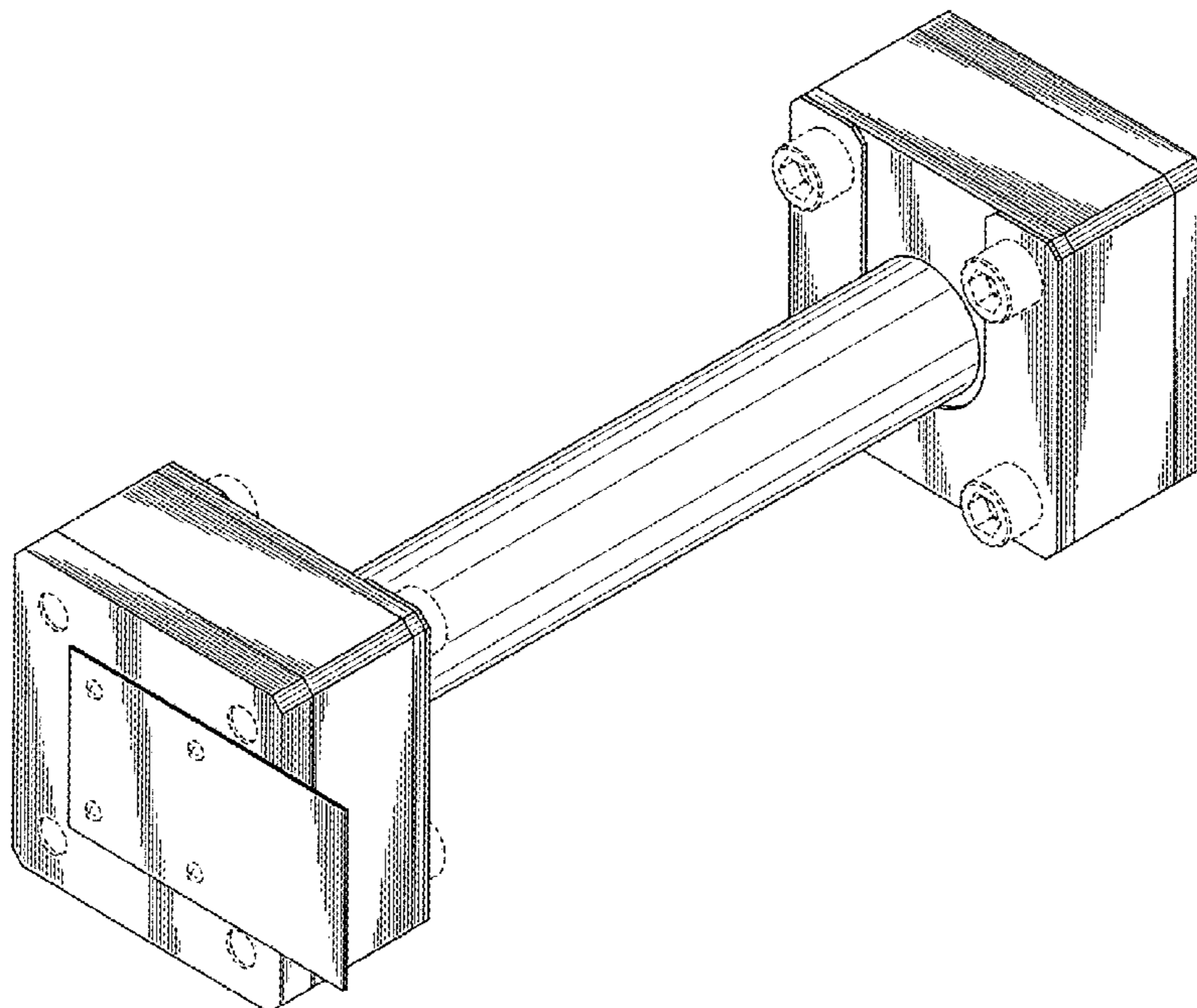
The ornamental design for a flowing water sterilization  
module, as shown and described.

**DESCRIPTION**

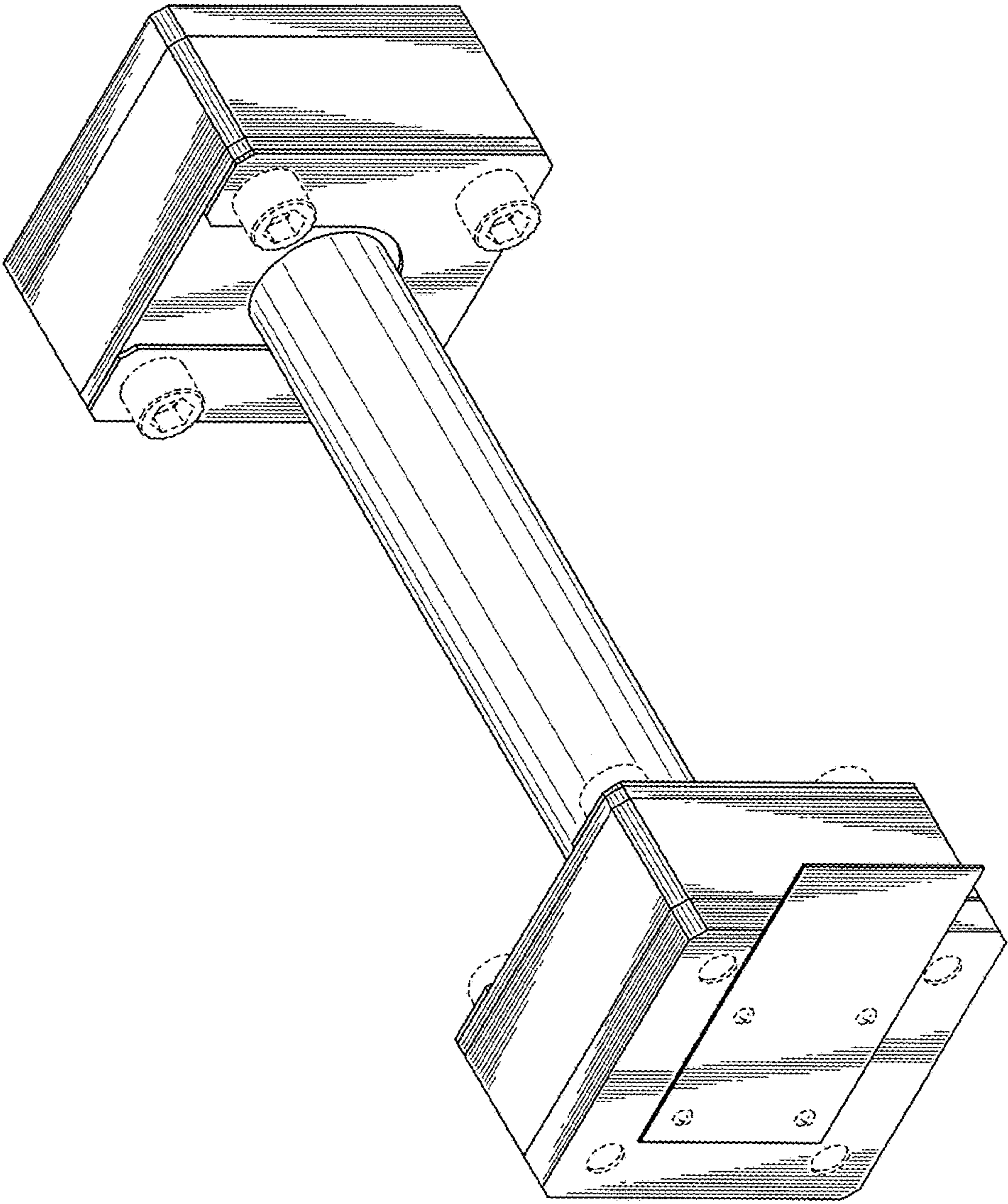
FIG. 1 is a front, top, left perspective view of a flowing water  
sterilization module showing our new design;  
FIG. 2 is a rear, bottom, right perspective view thereof;  
FIG. 3 is a front elevational view thereof;  
FIG. 4 is a rear elevational view thereof;  
FIG. 5 is a top plan view thereof;  
FIG. 6 is a bottom plan view thereof;  
FIG. 7 is a right side elevational view thereof; and,  
FIG. 8 is left side elevational view thereof.

The broken lines illustration portions of the flowing water  
sterilization module which form no part of the claimed  
design.

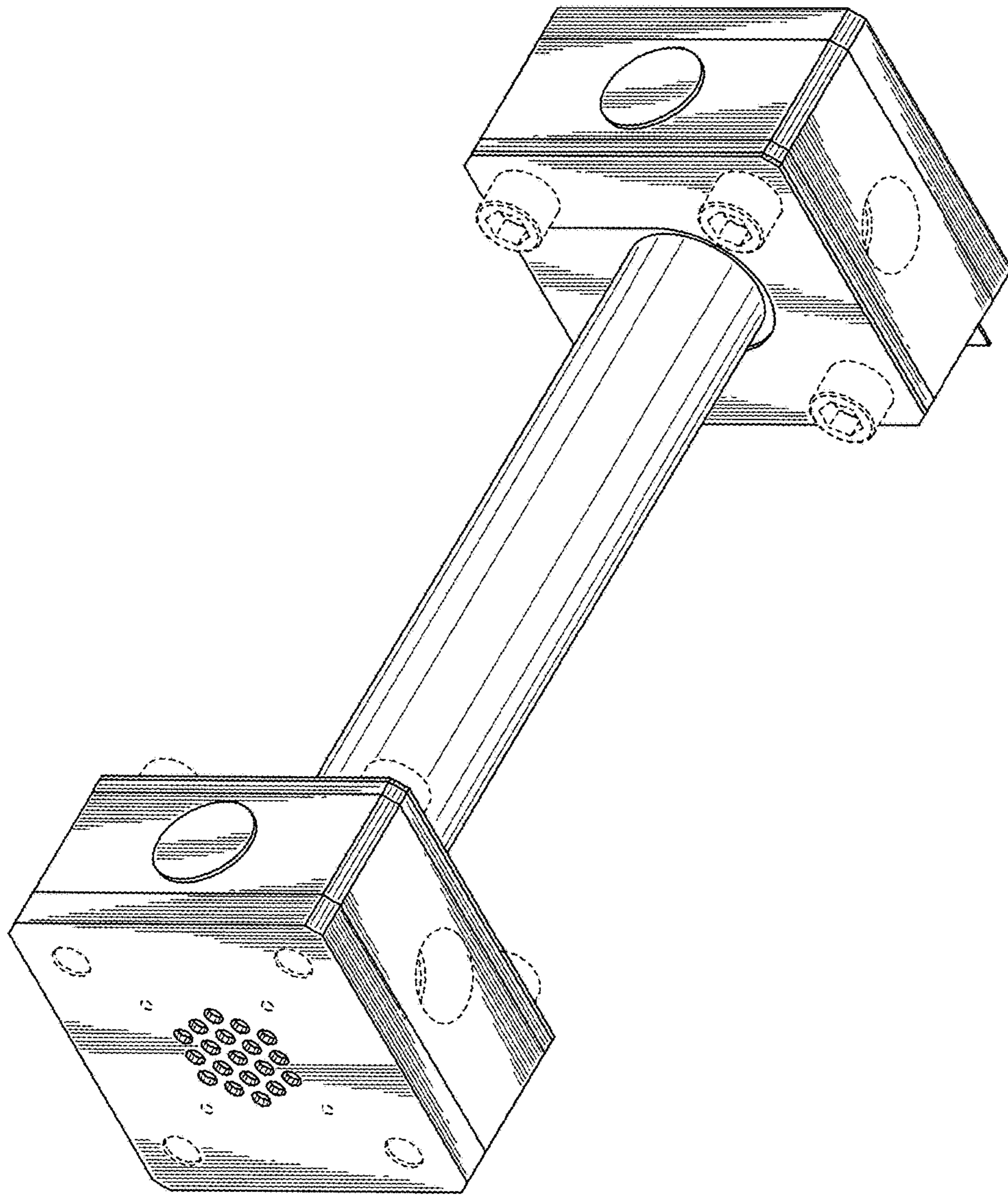
**1 Claim, 8 Drawing Sheets**



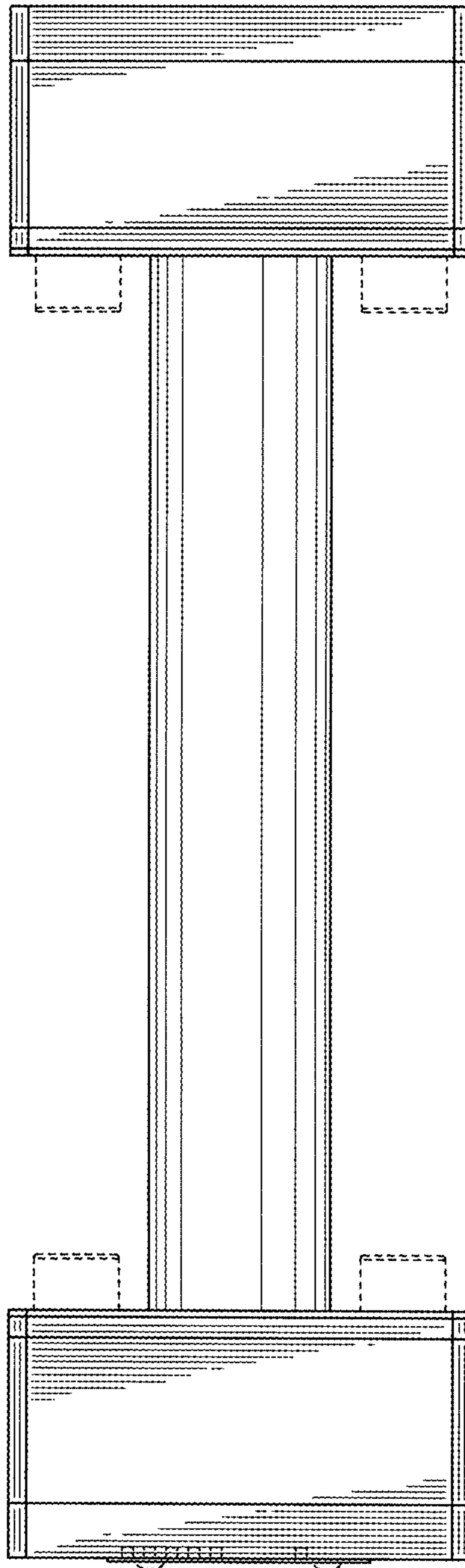
**FIG. 1**



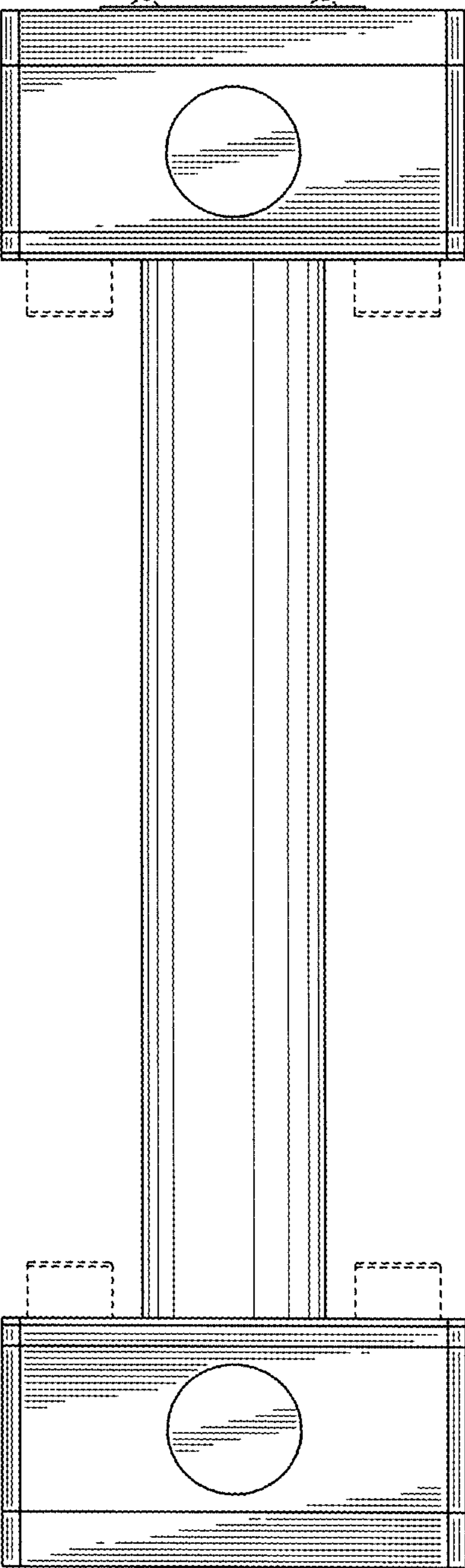
**FIG. 2**



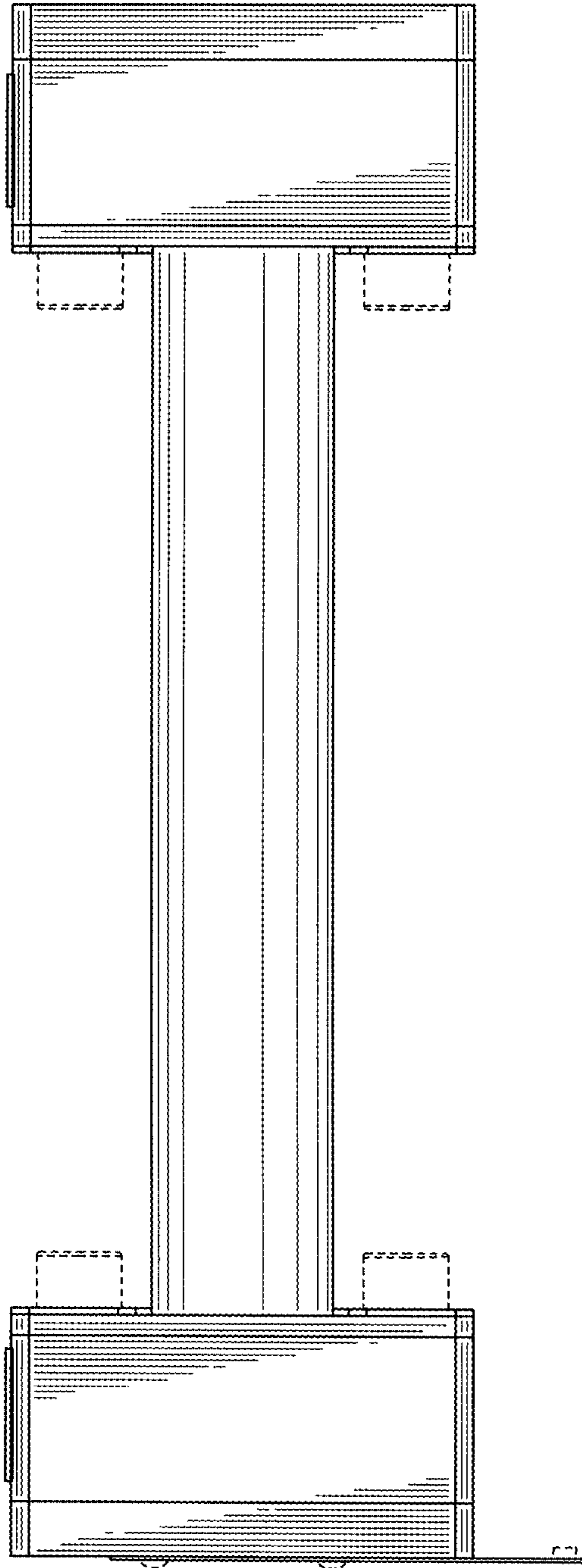
**FIG. 3**



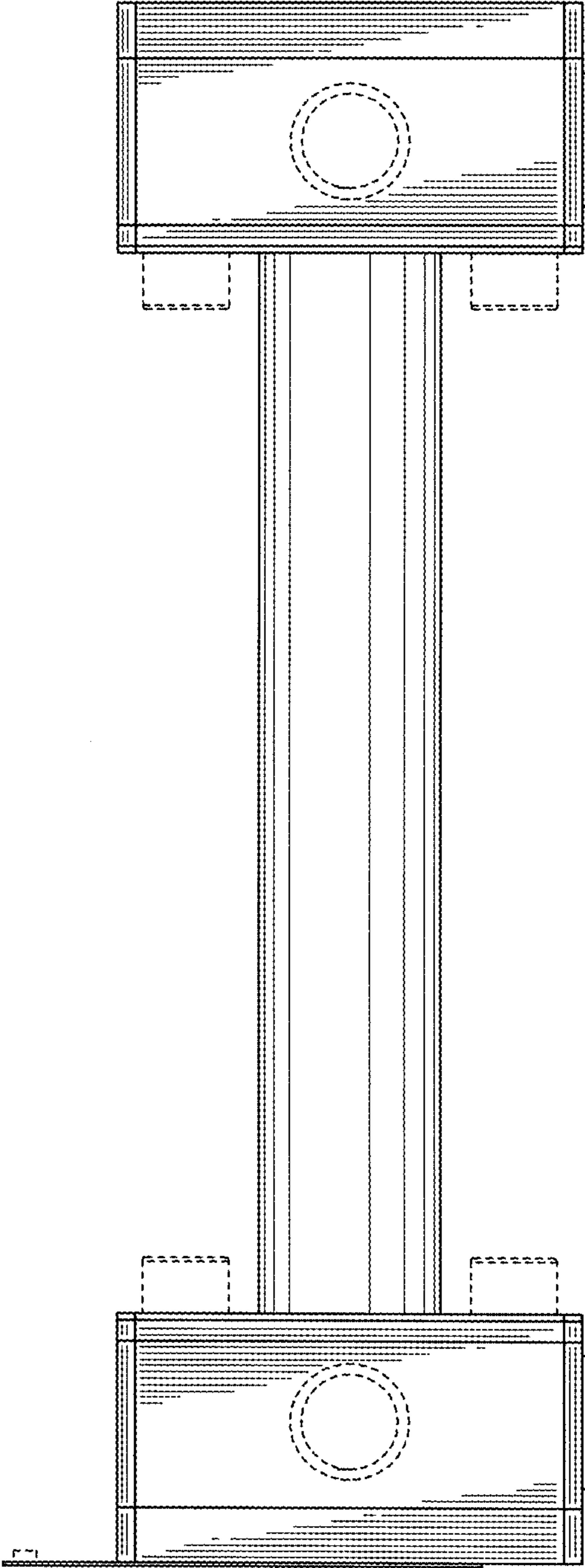
*FIG. 4*



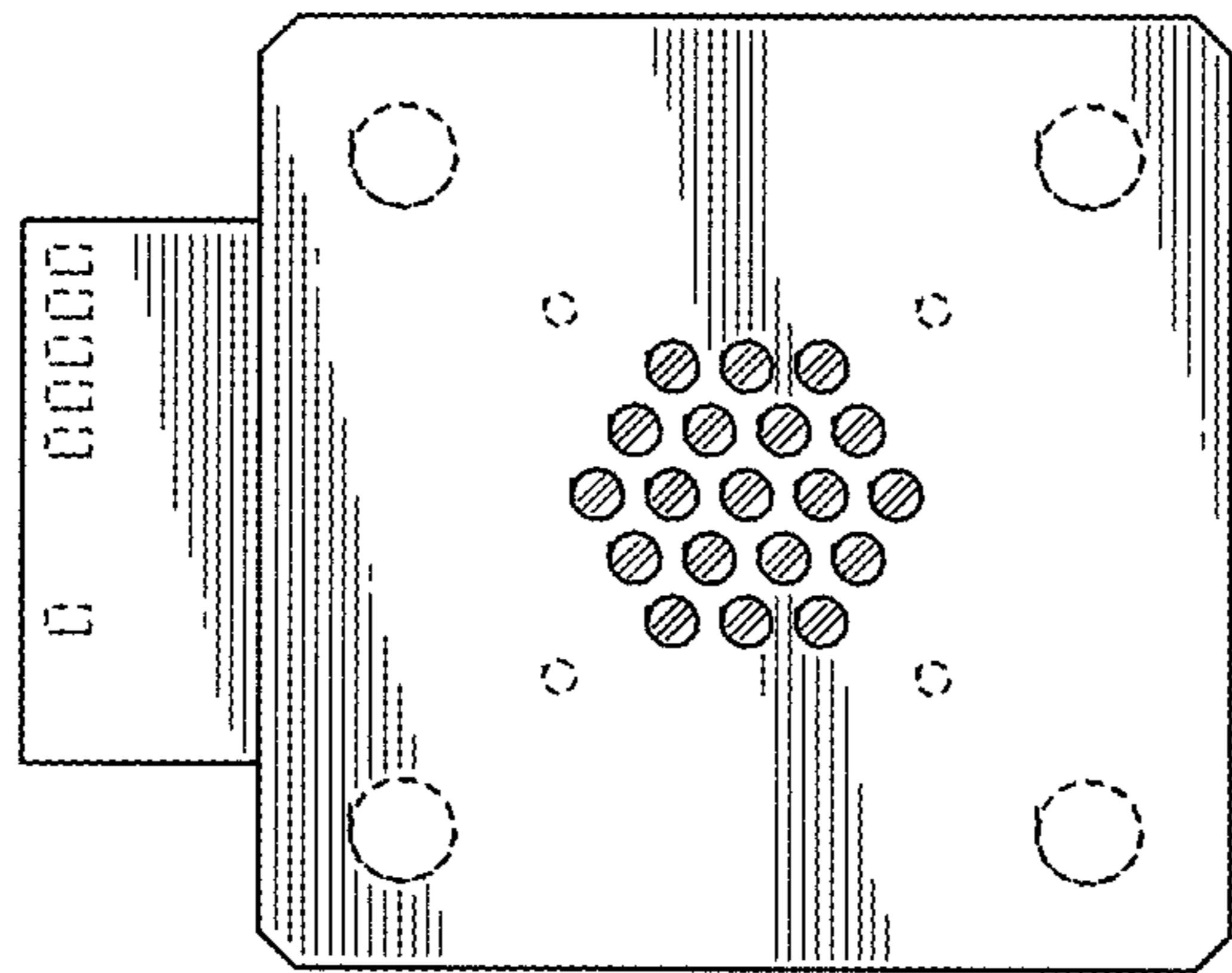
**FIG. 5**



*FIG. 6*



**FIG. 7**





***FIG. 8***

