



US00D822791S

(12) **United States Design Patent**
Kawai et al.

(10) **Patent No.:** **US D822,791 S**
(45) **Date of Patent:** **** Jul. 10, 2018**

(54) **WATER PURIFIER**
(71) Applicant: **Mitsubishi Rayon Cleansui Co., Ltd.**,
Shinagawa-ku, Tokyo (JP)
(72) Inventors: **Yoshinobu Kawai**, Tokyo (JP);
Shouzou Kimura, Tokyo (JP); **Ryo**
Teragaki, Tokyo (JP); **Fumie Shibata**,
Tokyo (JP)
(73) Assignee: **Mitsubishi Rayon Cleansui Co., Ltd.**
(JP)

(**) Term: **15 Years**

(21) Appl. No.: **29/595,212**

(22) Filed: **Feb. 27, 2017**

(30) **Foreign Application Priority Data**

Aug. 31, 2016 (JP) 2016-018736

(51) **LOC (11) Cl.** **23-01**

(52) **U.S. Cl.**
USPC **D23/207**

(58) **Field of Classification Search**
USPC D23/207, 209; 210/232, 238, 282
CPC B01D 35/30; B01D 19/0031; C02F 1/003;
C02F 1/283
See application file for complete search history.

(56) **References Cited**

U.S. PATENT DOCUMENTS

D277,305 S * 1/1985 Grube D23/209
4,504,389 A * 3/1985 Rundzaitis B01D 35/043
210/266
D358,868 S * 5/1995 Hembree D23/207
D398,369 S * 9/1998 Hayes D23/209
D398,703 S * 9/1998 Hayes D23/209

D410,728 S * 6/1999 Kurth D23/209
5,935,426 A * 8/1999 Giordano B01D 17/0208
200/81.9 M
6,123,837 A * 9/2000 Wadsworth B01D 35/04
137/801
D457,596 S * 5/2002 Guzman D23/209
D484,567 S * 12/2003 Gaston D23/209
6,797,156 B2 * 9/2004 Chau B01D 35/04
137/549
D533,622 S * 12/2006 Ross D23/209
D542,374 S * 5/2007 Green D23/209
7,810,650 B2 * 10/2010 Ennis C02F 9/005
210/236
D635,640 S * 4/2011 Xu D23/209
9,004,290 B2 * 4/2015 Tanner C02F 1/003
137/603
D794,747 S * 8/2017 Kimura D23/207
D794,748 S * 8/2017 Kimura D23/207

* cited by examiner

Primary Examiner — Robin V Webster

(74) *Attorney, Agent, or Firm* — Saidman DesignLaw
Group, LLC

(57) **CLAIM**

The ornamental design for a water purifier, as shown and
described.

DESCRIPTION

FIG. 1 is a perspective view of a water purifier showing our
new design;
FIG. 2 is a front elevational view thereof;
FIG. 3 is a rear elevational view thereof;
FIG. 4 is a left side elevational view thereof;
FIG. 5 is a right side elevational view thereof;
FIG. 6 is a top plan view thereof; and,
FIG. 7 is a bottom plan view thereof.
The broken lines shown in the drawings are for illustrative
purposes only and form no part of the claimed design.

1 Claim, 4 Drawing Sheets

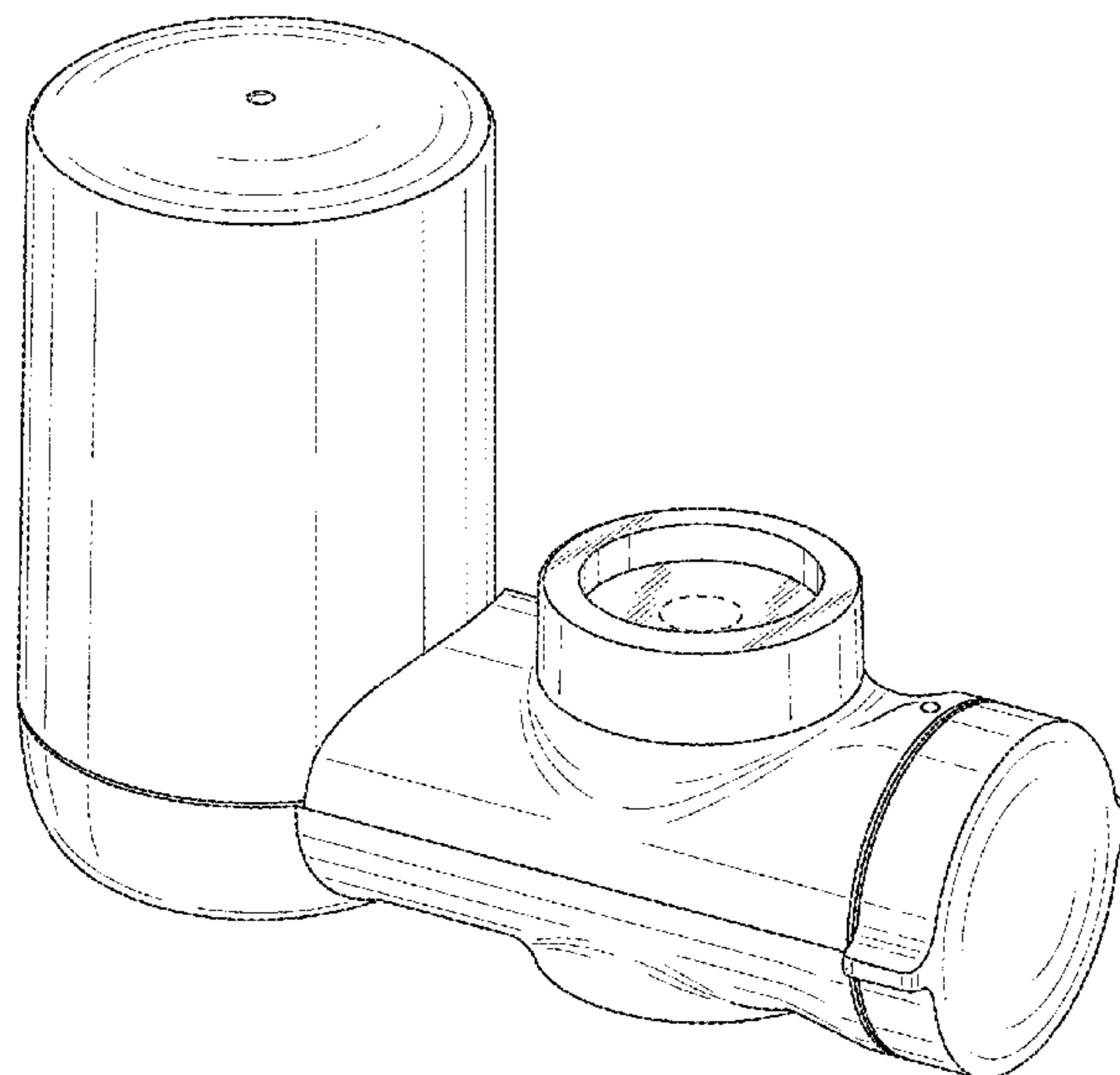


FIG. 1

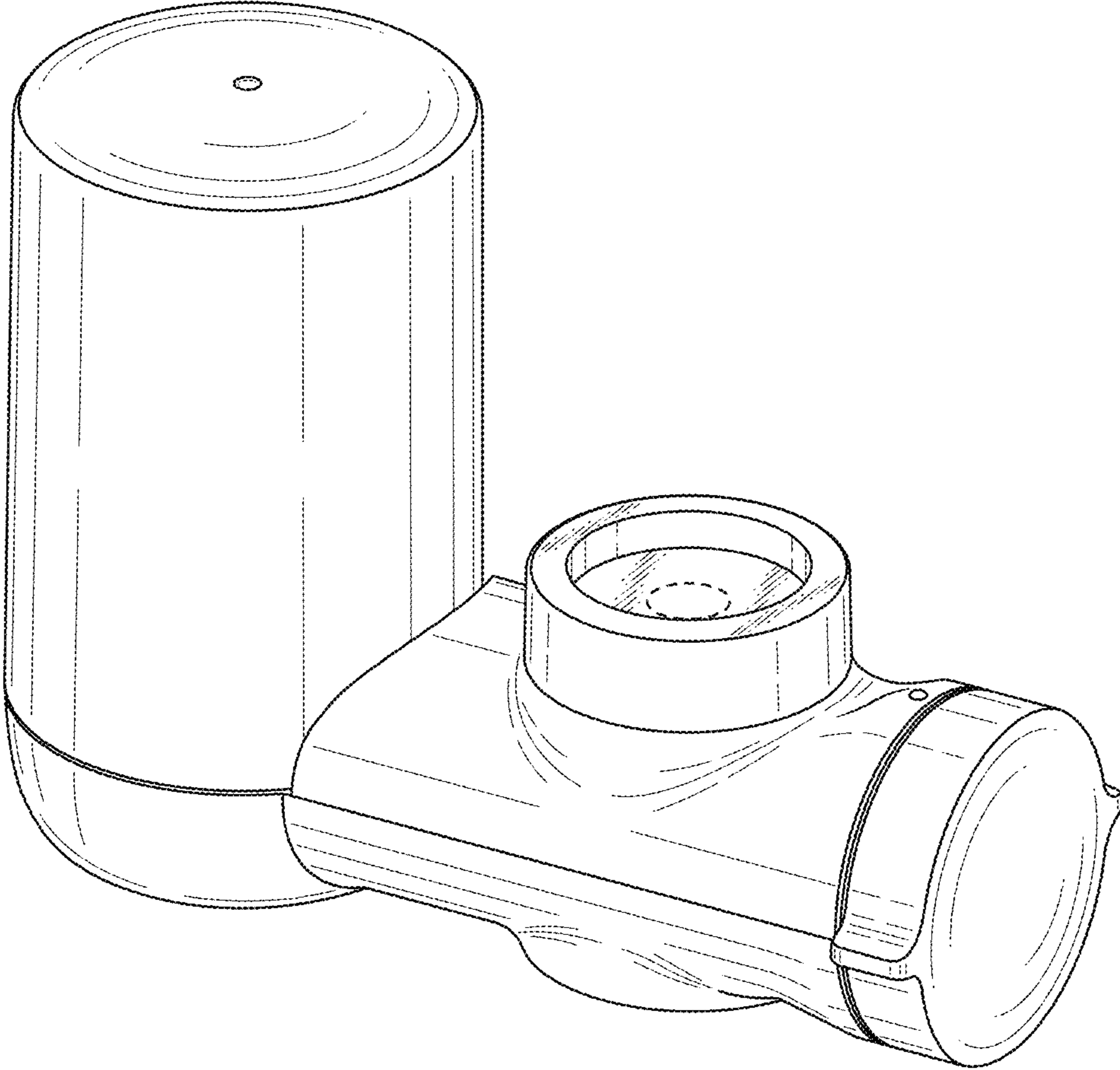


FIG. 2

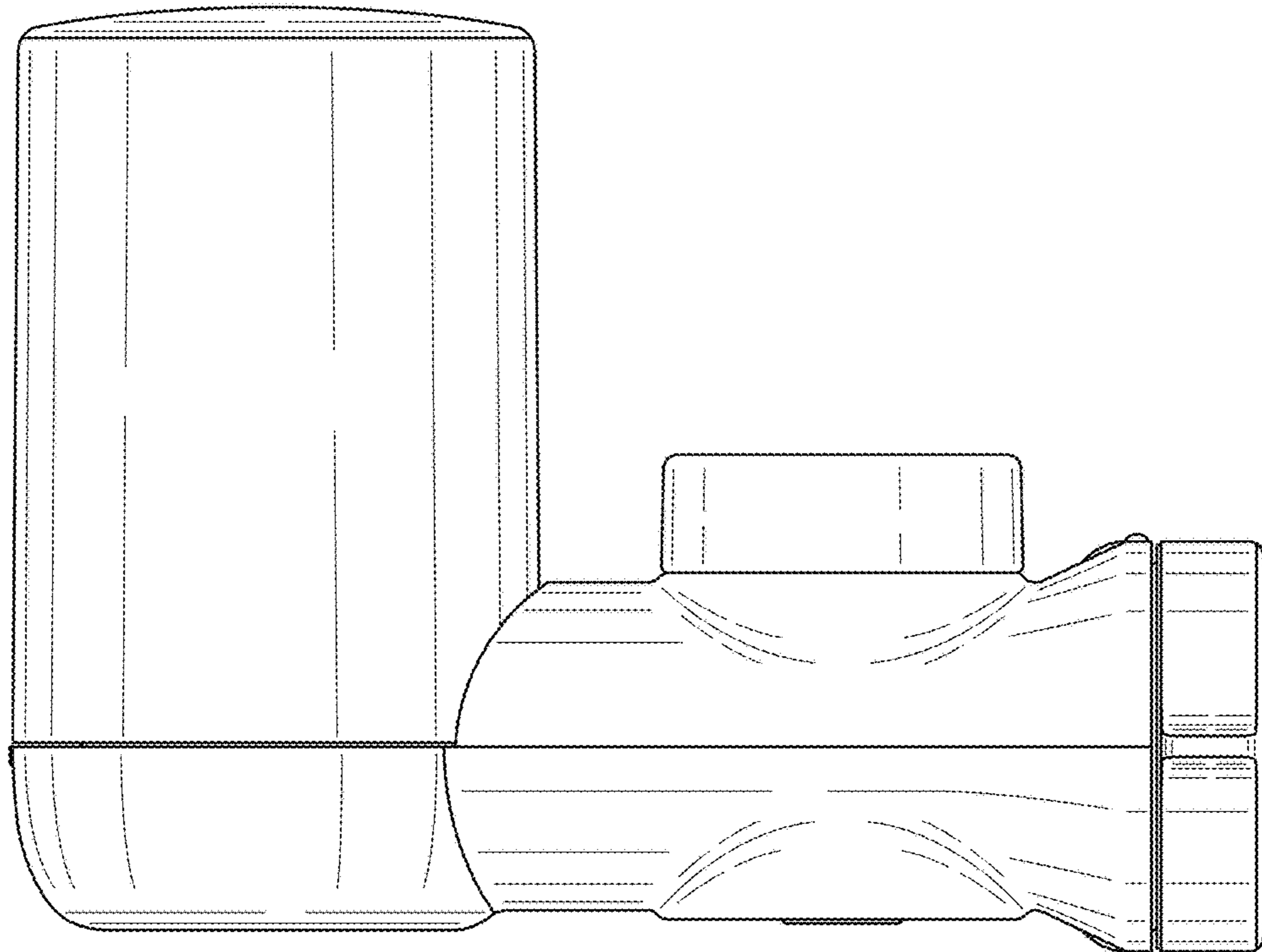


FIG. 3

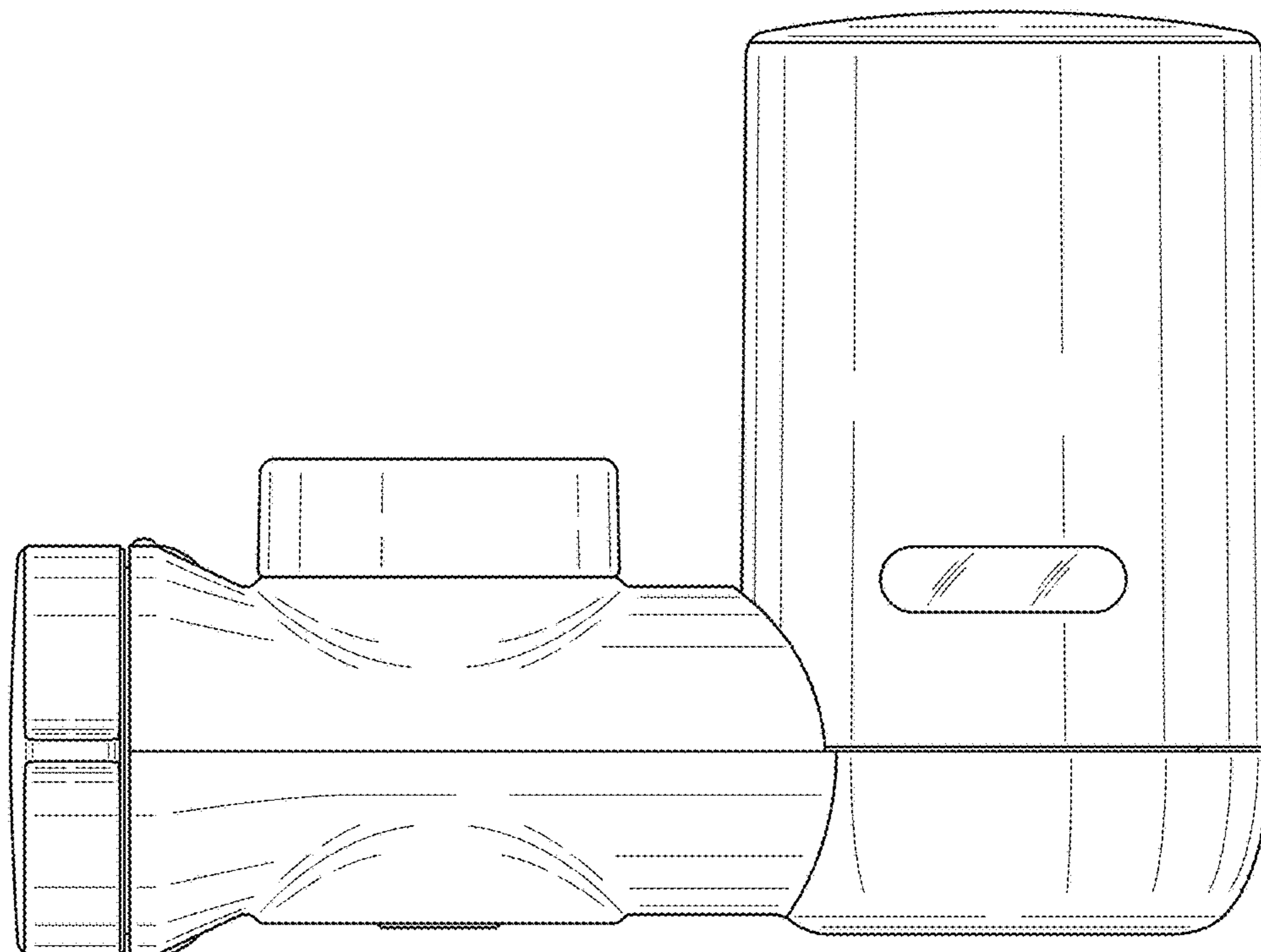


FIG. 4

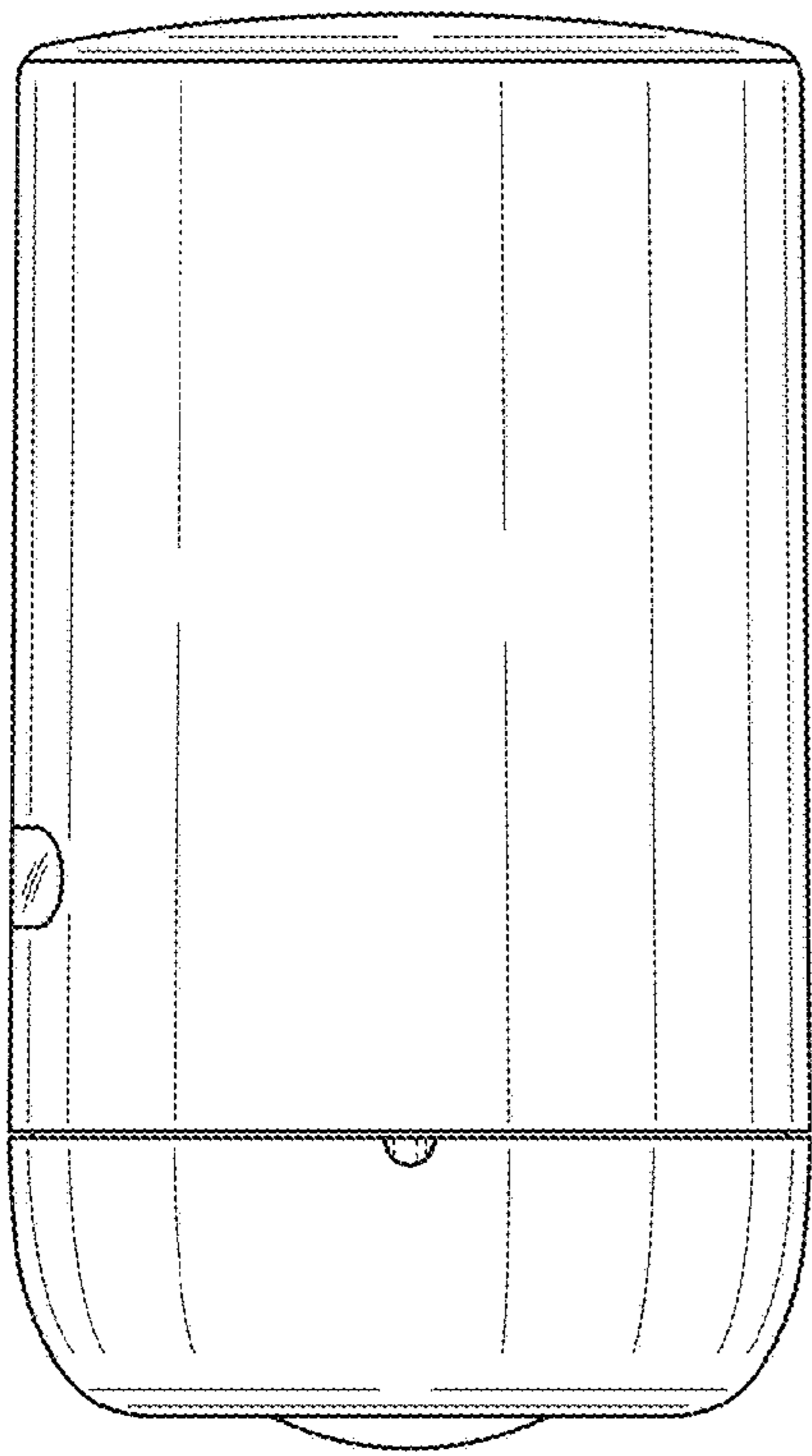


FIG. 5

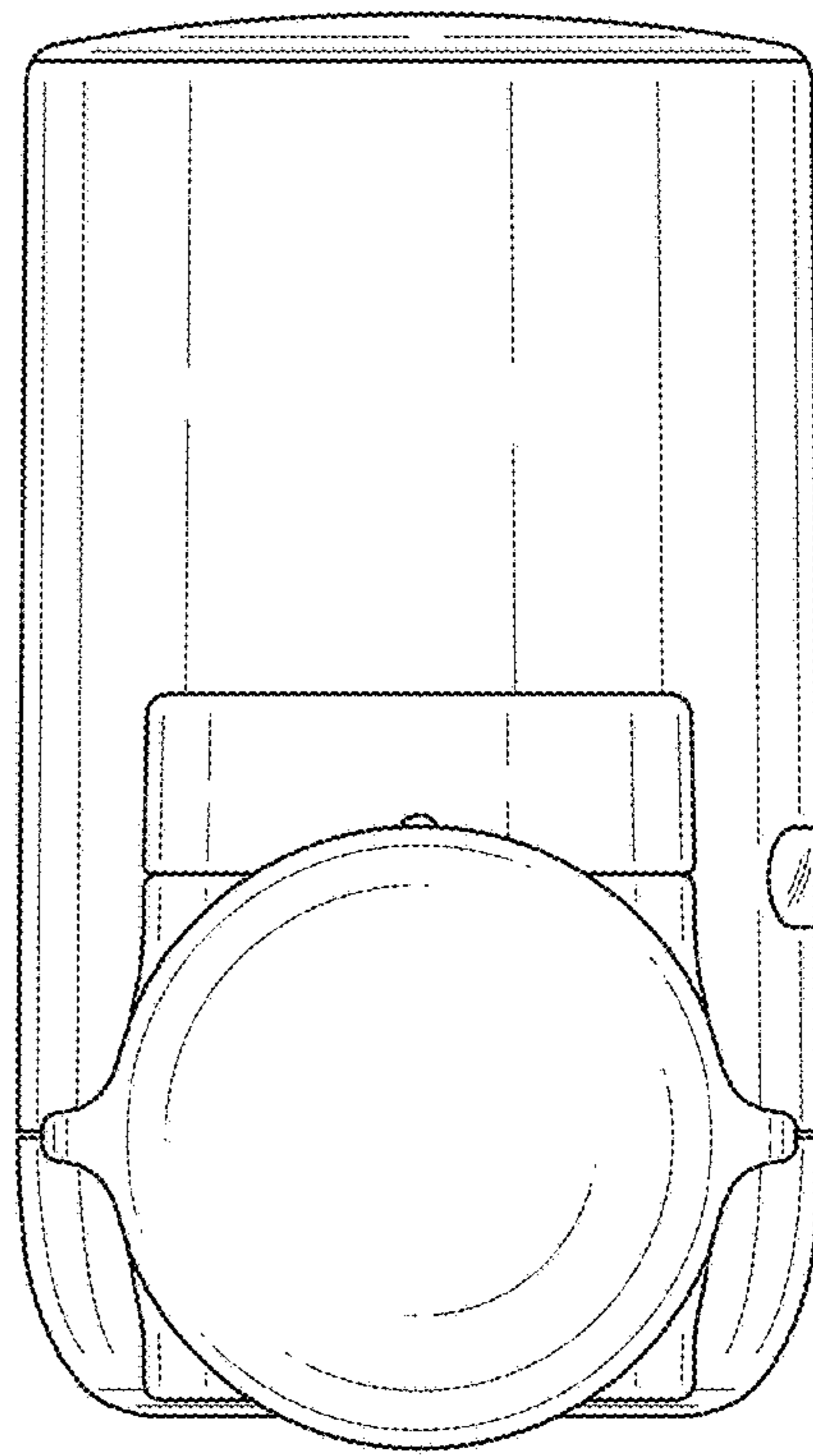


FIG. 6

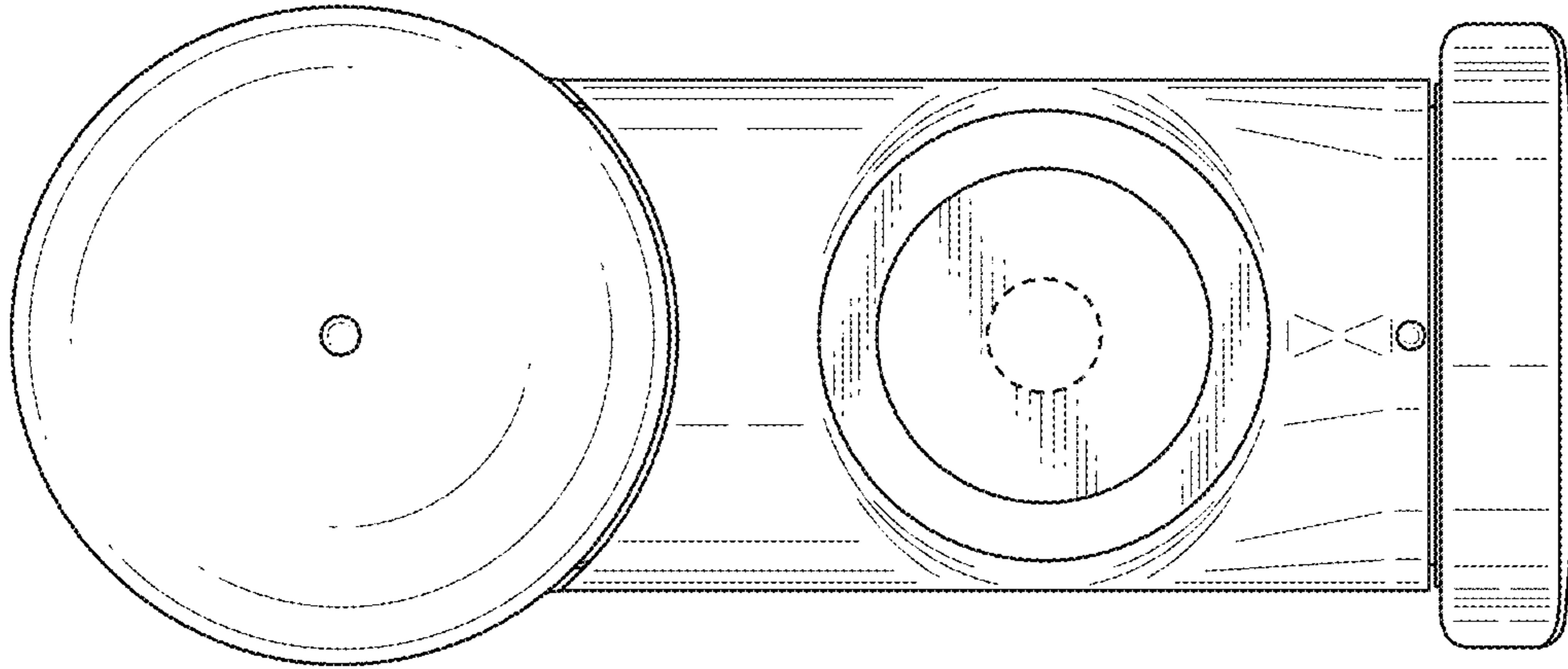


FIG. 7

