



US00D822787S

(12) **United States Design Patent**
Cipolla

(10) **Patent No.:** **US D822,787 S**

(45) **Date of Patent:** **** Jul. 10, 2018**

- (54) **FISHING ROD HOLDER**
- (71) Applicant: **Ronald Cipolla**, St. Louis, MO (US)
- (72) Inventor: **Ronald Cipolla**, St. Louis, MO (US)
- (**) Term: **15 Years**
- (21) Appl. No.: **29/602,887**
- (22) Filed: **May 4, 2017**
- (51) **LOC (11) Cl.** **22-05**
- (52) **U.S. Cl.**
USPC **D22/147**
- (58) **Field of Classification Search**
USPC D6/552, 553, 567, 572; D8/380;
D22/147, 148, 109; D25/68; 43/21,
43/21.2; 211/13.1, 60.1, 64, 70.2, 70.6,
211/70.8, 65, 68, 69, 69.8, 89, 94;
248/512, 520, 538, 316.7
CPC A01K 97/10; A01K 97/12; A01K 97/125;
A01K 99/00; A01K 97/08; A47F 7/0021;
A47F 7/0035; A47B 81/005; Y10T
70/5009; Y10S 224/922
See application file for complete search history.

- 5,033,223 A * 7/1991 Minter A01K 97/10
224/486
- D352,089 S * 11/1994 Barber D22/147
- 5,377,849 A * 1/1995 Martin A47F 8/02
211/182
- 5,383,299 A * 1/1995 Smelker A01K 97/10
248/513
- 5,461,817 A * 10/1995 Flood A01K 91/08
43/19.2
- 5,533,295 A * 7/1996 Hochberger A01K 97/10
248/512
- D381,392 S * 7/1997 Darling D22/147
- 5,673,507 A * 10/1997 Stokes, Jr.
- D393,690 S * 4/1998 Lovelady D22/147
- 5,823,365 A * 10/1998 Page A47F 5/0892
211/113
- D413,648 S * 9/1999 Simpson D22/147
- D414,239 S * 9/1999 Lovelady D22/147
- 5,987,803 A * 11/1999 White A01K 97/10
43/21.2

(Continued)

Primary Examiner — David Muller
Assistant Examiner — Nathan Johnston
 (74) *Attorney, Agent, or Firm* — Kutak Rock LLP; Sara Weilert Gillette

(56) **References Cited**

U.S. PATENT DOCUMENTS

- D170,239 S * 8/1953 Raylor D23/265
- D179,525 S * 1/1957 Porter 248/513
- D230,356 S * 2/1974 Nelson D22/147
- D271,610 S * 11/1983 Lummis D22/147
- D271,611 S * 11/1983 Lummis D22/147
- 4,650,146 A * 3/1987 Duke A01K 97/10
248/129
- 4,763,435 A * 8/1988 Deering A01K 97/10
43/21.2
- 4,823,723 A 4/1989 Brooks
- D303,003 S * 8/1989 Combs D22/147
- 4,871,099 A * 10/1989 Bogar, Jr. A01K 97/10
211/70.8
- D307,171 S * 4/1990 Engle D22/147

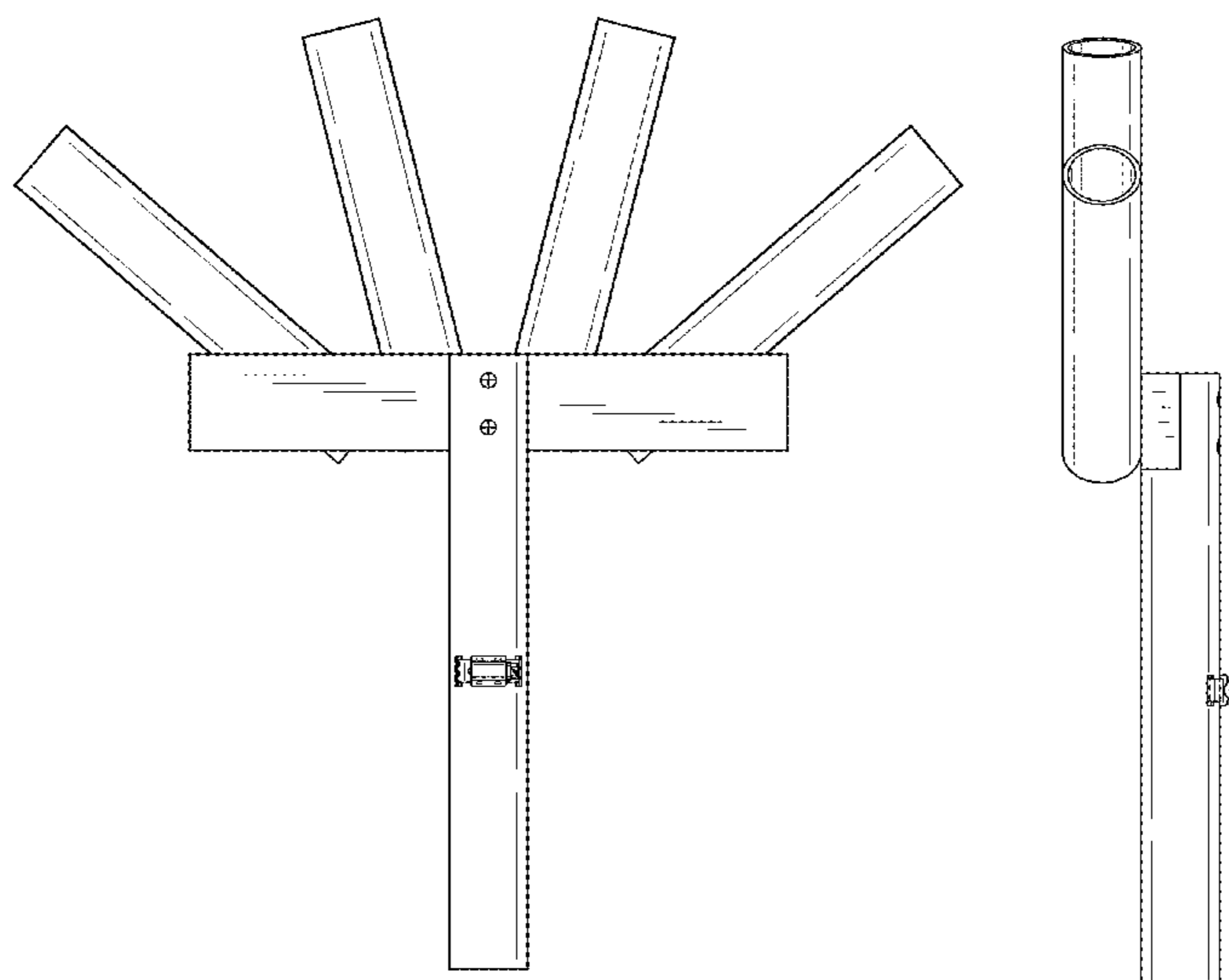
(57) **CLAIM**

The ornamental design for a fishing rod holder, as shown and described.

DESCRIPTION

FIG. 1 is a front elevation view of a fishing rod holder showing my new design;
 FIG. 2 is a rear elevation view thereof;
 FIG. 3 is a left side elevation view thereof, a right side elevation view being a mirror image thereof;
 FIG. 4 is a top plan view thereof; and,
 FIG. 5 is a bottom plan view thereof.

1 Claim, 4 Drawing Sheets



(56)

References Cited

U.S. PATENT DOCUMENTS

6,102,203 A * 8/2000 Marro A47K 1/09
206/362.1

6,289,627 B1 9/2001 Gibbs et al.

D456,974 S * 5/2002 Hicks D34/12

D458,878 S * 6/2002 Greco D12/162

6,681,517 B1 1/2004 Solomon

D507,817 S 7/2005 Mitchell

7,047,688 B2 5/2006 Sandman, Jr.

7,264,218 B1 * 9/2007 Edwards F16M 11/16
135/16

D564,617 S * 3/2008 White D22/147

D599,877 S * 9/2009 Battin, Jr. D22/147

D630,875 S * 1/2011 Leung D6/552

D662,745 S * 7/2012 Zalewski D6/552

8,327,575 B1 * 12/2012 Zalewski 248/519

8,375,622 B1 * 2/2013 Holzmann, Jr. A01K 97/10
43/21.2

D699,476 S * 2/2014 Gonzalez D6/552

D759,842 S * 6/2016 Umlor D25/68

2003/0221358 A1 * 12/2003 Matlosz A01K 97/10
43/21.2

2003/0230024 A1 12/2003 Roberson

2005/0102881 A1 5/2005 Legendziewicz

2013/0333268 A1 * 12/2013 Henry, Jr. A01K 97/10
43/4.5

2014/0007487 A1 * 1/2014 Schwiebert E04H 12/2238
43/21.2

2014/0033600 A1 2/2014 McCorkle

2014/0263113 A1 * 9/2014 Hall, II A47B 81/005
211/70.8

2017/0231209 A1 * 8/2017 Pippins A01K 97/125
43/17

* cited by examiner

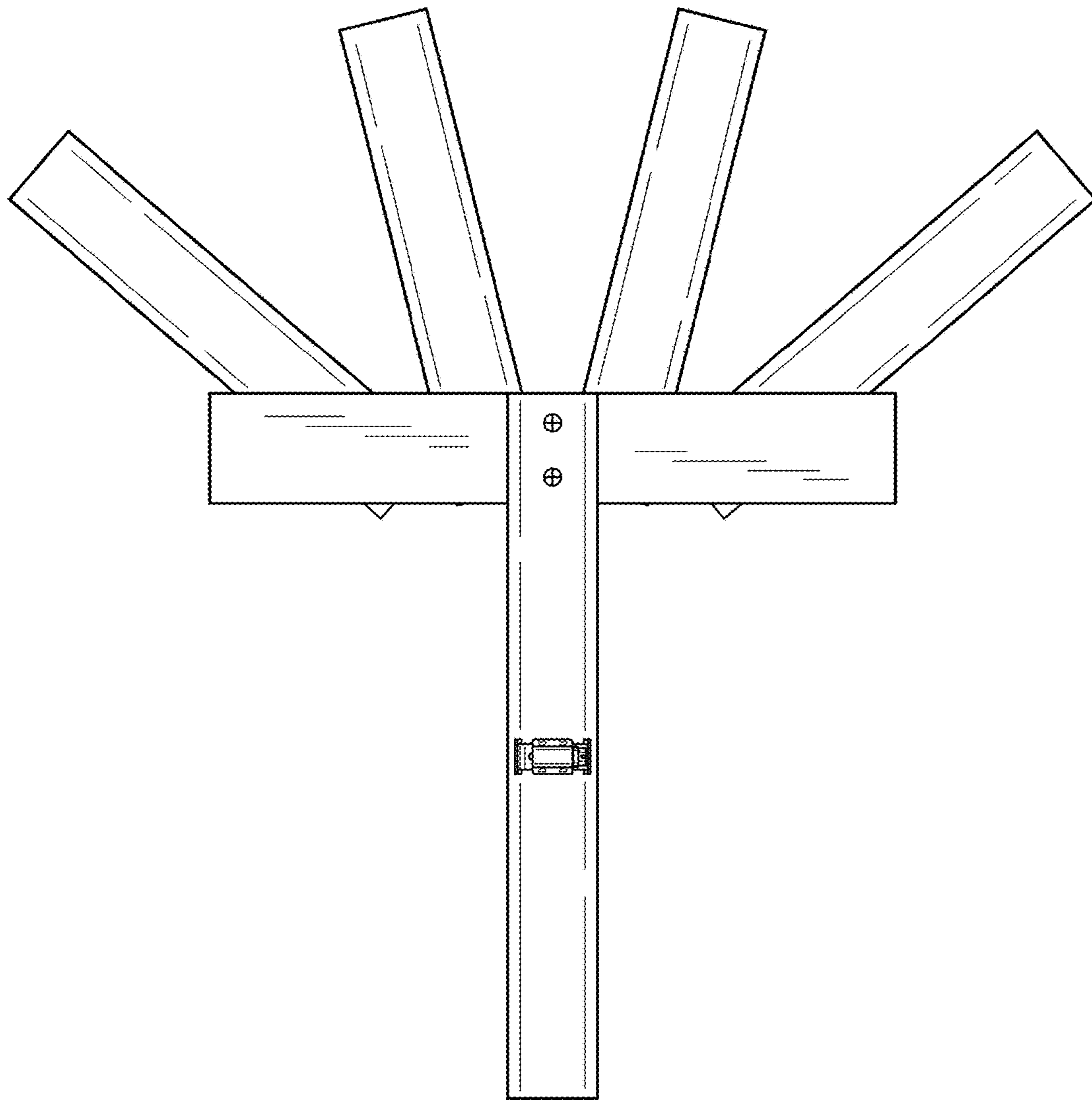


FIG. 1

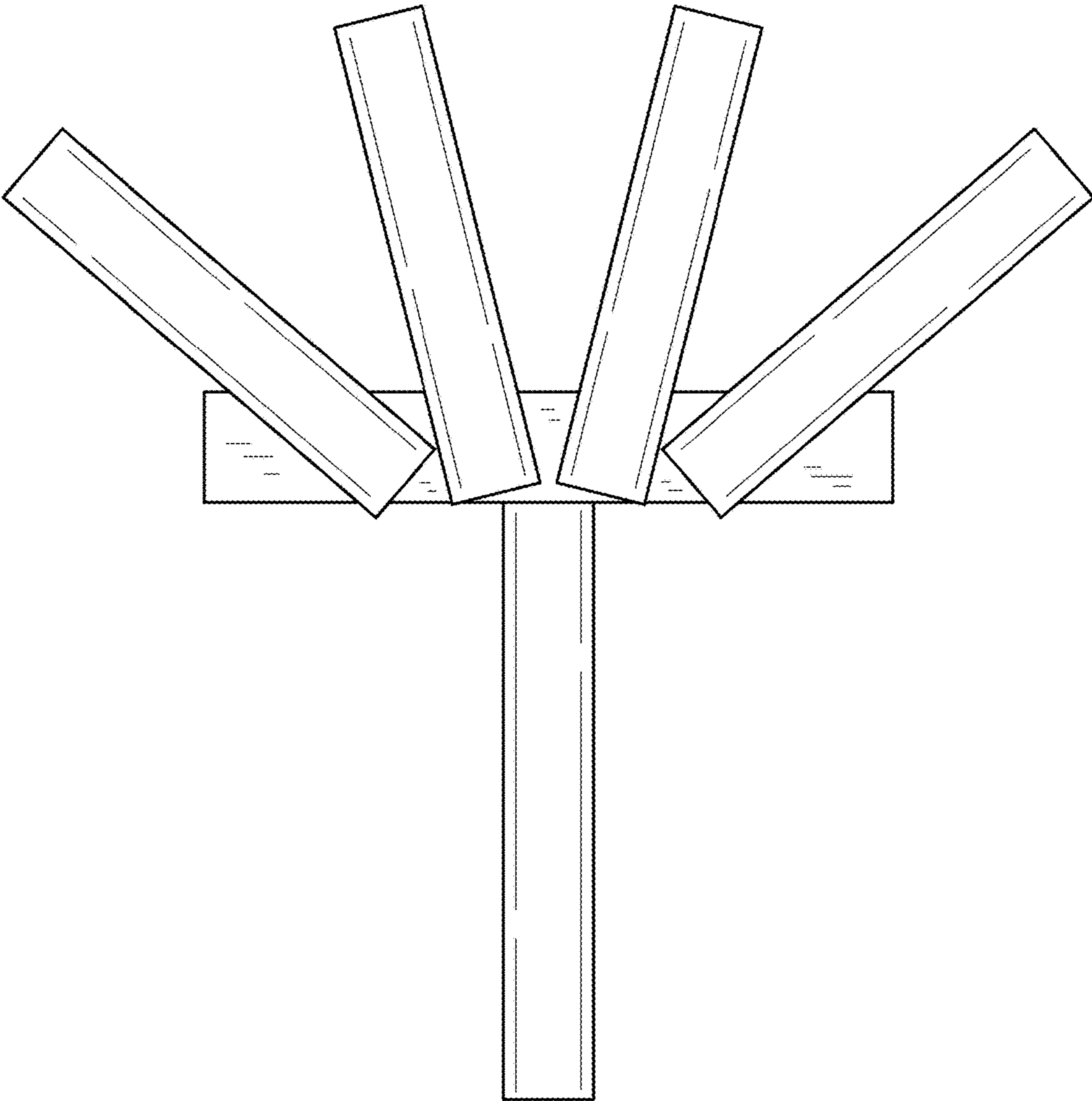


FIG. 2

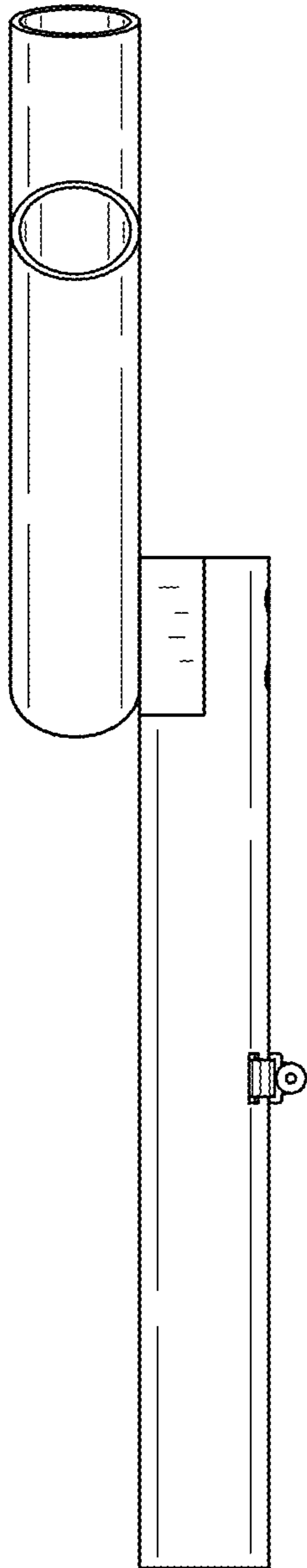


FIG. 3

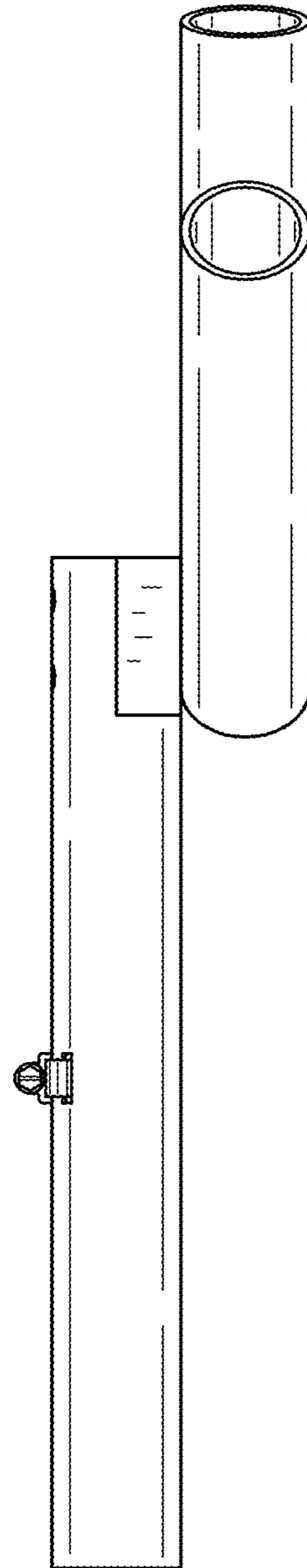


FIG. 4

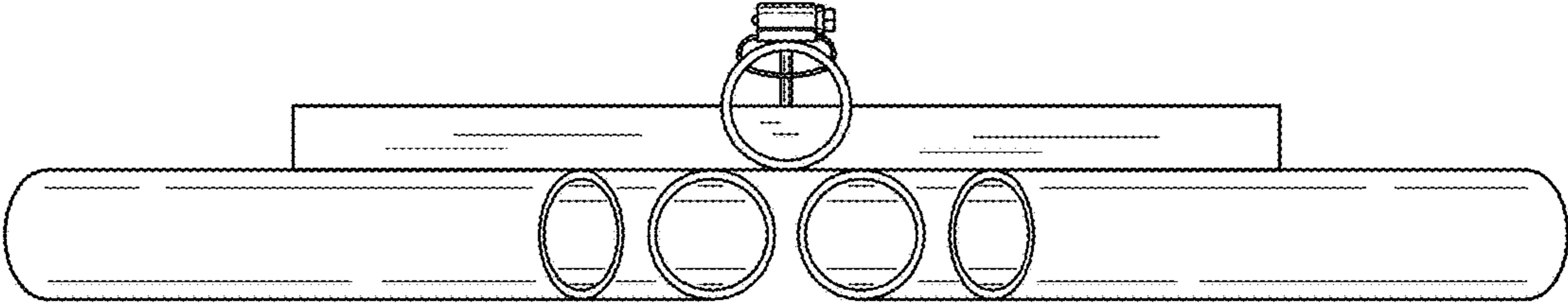
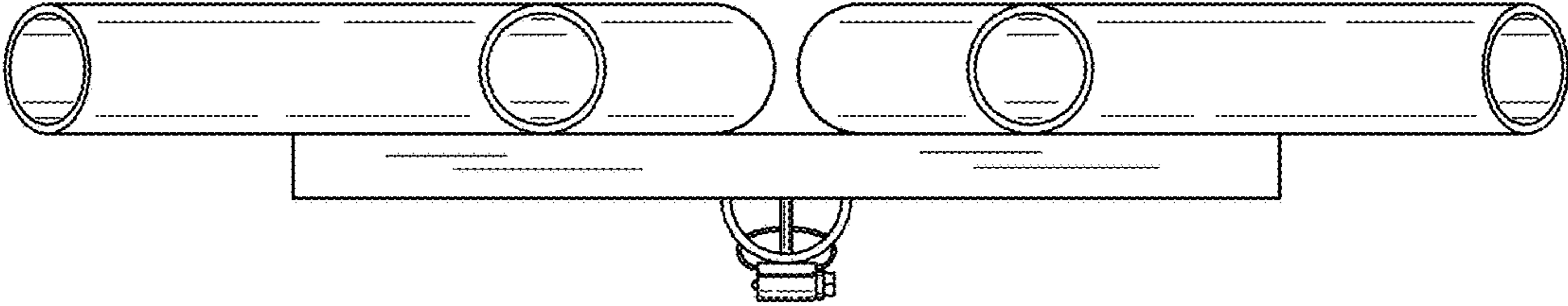


FIG. 5