



US00D822786S

(12) **United States Design Patent**  
**Schroeder et al.**

(10) **Patent No.:** **US D822,786 S**  
(45) **Date of Patent:** **\*\* Jul. 10, 2018**

(54) **FISH ATTRACTOR, TEASER, OR LURE**

(71) Applicant: **Saucy Tackle Company, LLC**,  
Manchester, NH (US)

(72) Inventors: **Gerhardt P. Schroeder**, Concord, NH  
(US); **Nicholas Want**, Manchester, NH  
(US)

(73) Assignee: **SAUCY TACKLE COMPANY, LLC**,  
Manchester, NH (US)

(\*\*) Term: **15 Years**

(21) Appl. No.: **29/596,616**

(22) Filed: **Mar. 9, 2017**

(51) **LOC (11) Cl.** ..... **22-05**

(52) **U.S. Cl.**  
USPC ..... **D22/126**

(58) **Field of Classification Search**  
USPC ..... D22/126-133; 43/42.21, 42.17, 42.15,  
43/42.44, 42.48, 42.31, 42.28  
CPC ..... A01K 85/00; A01K 85/10; A01K 85/18  
See application file for complete search history.

(56) **References Cited**

**U.S. PATENT DOCUMENTS**

2,578,041 A \* 12/1951 Candioto ..... A01K 85/12  
43/42.21  
D174,367 S \* 4/1955 Autry ..... D22/126

3,226,875 A \* 1/1966 Woolums ..... A01K 85/10  
43/42.17  
3,382,600 A \* 5/1968 Walters ..... A01K 85/18  
43/42.15  
D278,738 S \* 5/1985 Hargreaves ..... D22/126  
D347,459 S \* 5/1994 Gowing ..... D22/126

\* cited by examiner

*Primary Examiner* — Catherine R Oliver-Garcia

(74) *Attorney, Agent, or Firm* — RatnerPrestia

(57) **CLAIM**

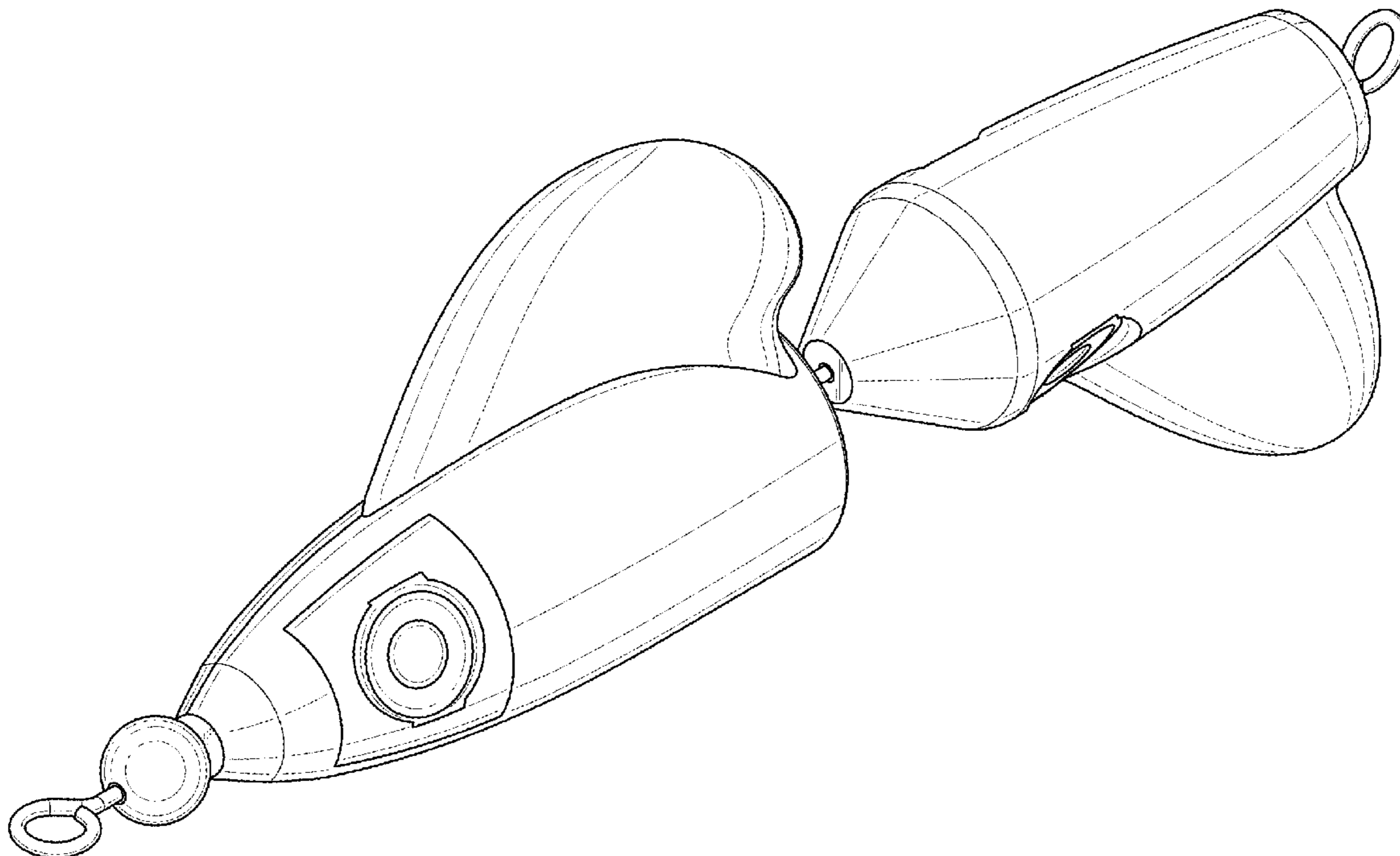
The ornamental design for a fish attractor, teaser, or lure, as shown and described.

**DESCRIPTION**

FIG. 1 is an isometric perspective view of the fish attractor, teaser, or lure showing the claimed design;  
FIG. 2 is a FRONT elevation view illustrated in FIG. 1.  
FIG. 3 is a REAR elevation view illustrated in FIG. 1.  
FIG. 4 is a RIGHT elevation view illustrated in FIG. 1.  
FIG. 5 is a LEFT elevation view illustrated in FIG. 1.  
FIG. 6 is a TOP elevation view illustrated in FIG. 1.  
FIG. 7 is a BOTTOM elevation view illustrated in FIG. 1.  
FIG. 8 is a FRONT elevation view illustrated in FIG. 3, but with a portion of the design rotated 180° illustrating the relative rotation of portions of the design; and,  
FIG. 9 is a LEFT elevation view illustrated in FIG. 6, but with a portion of the design rotated 180° illustrating the relative rotation of portions of the design.

The dashed lines are for illustration purposes only and form no part of the claimed design. The dash-dot lines separate claimed surfaces from surfaces that form no part of the claimed design.

**1 Claim, 6 Drawing Sheets**



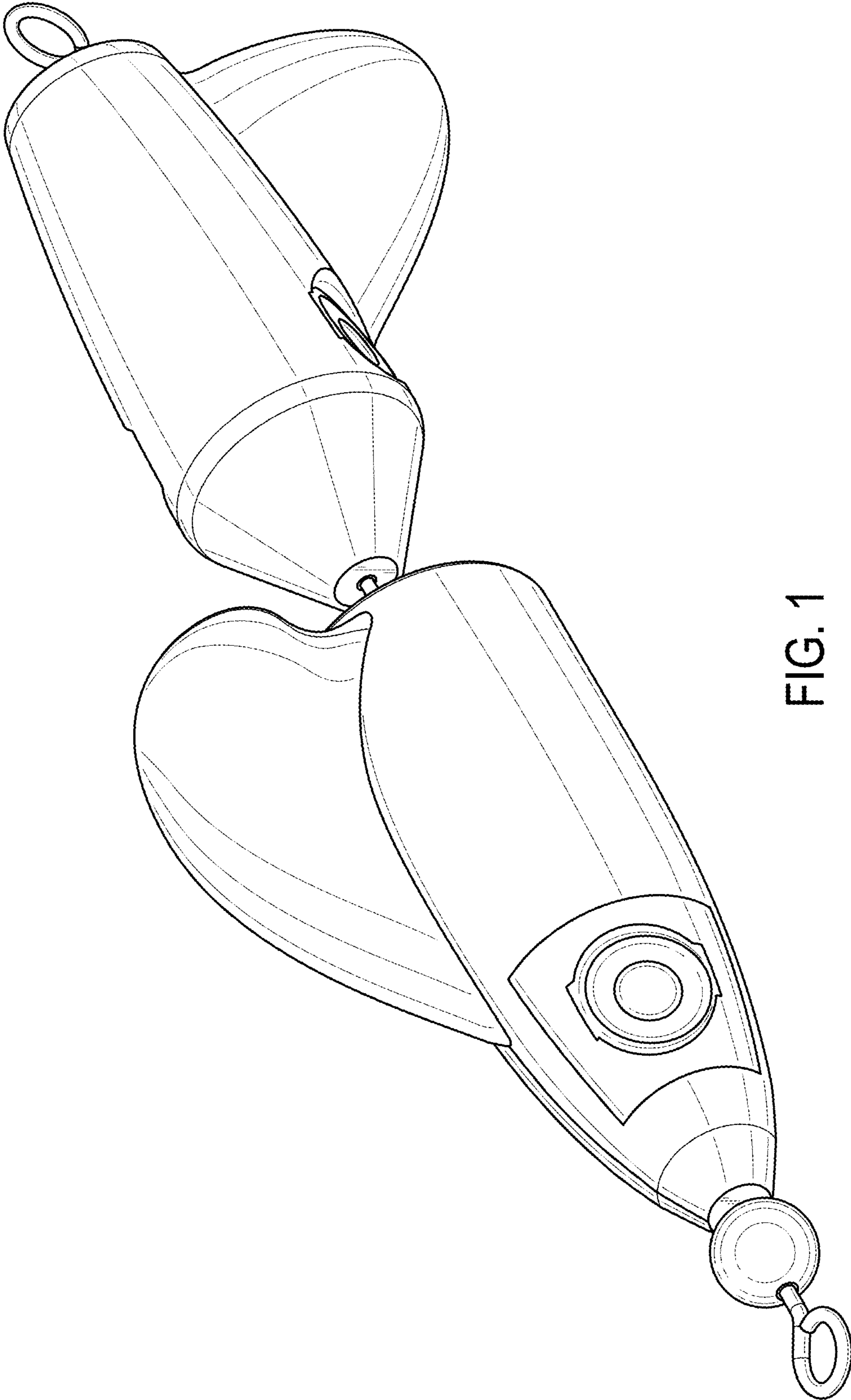


FIG. 1

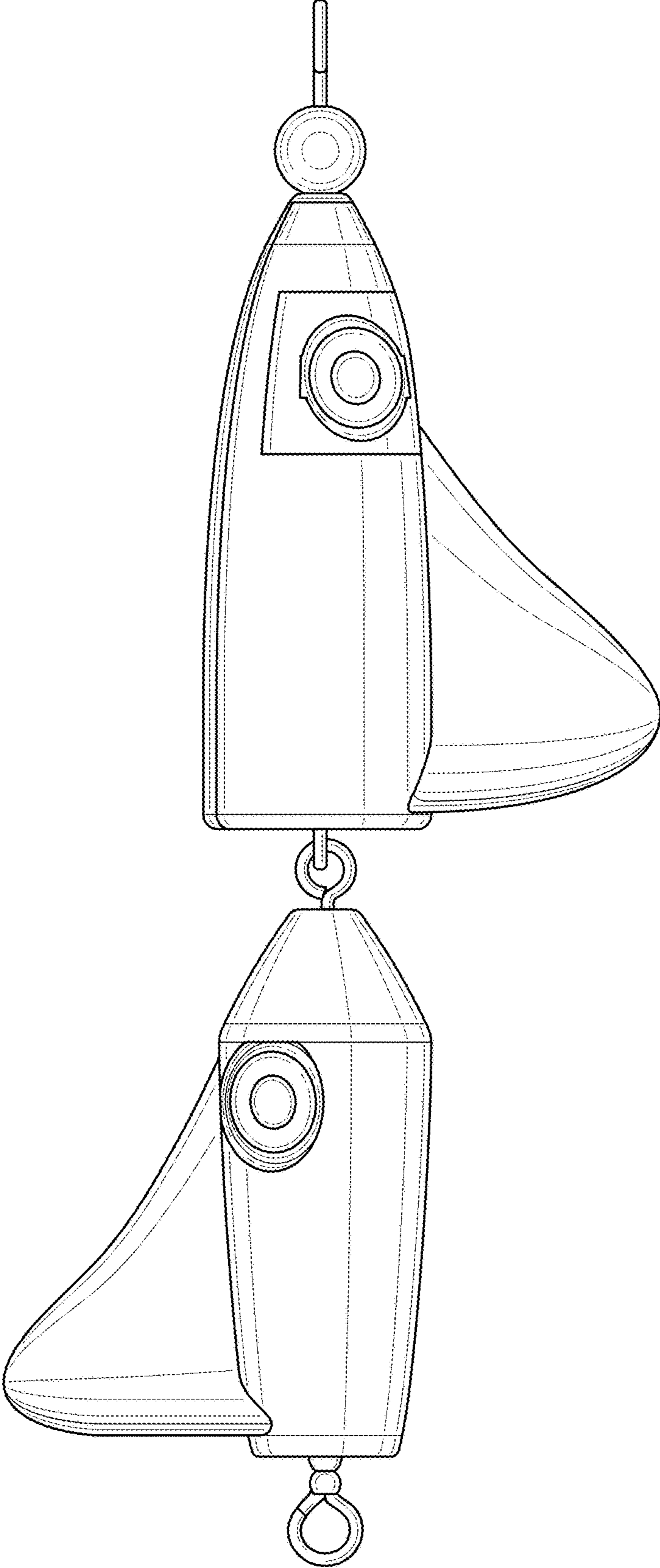
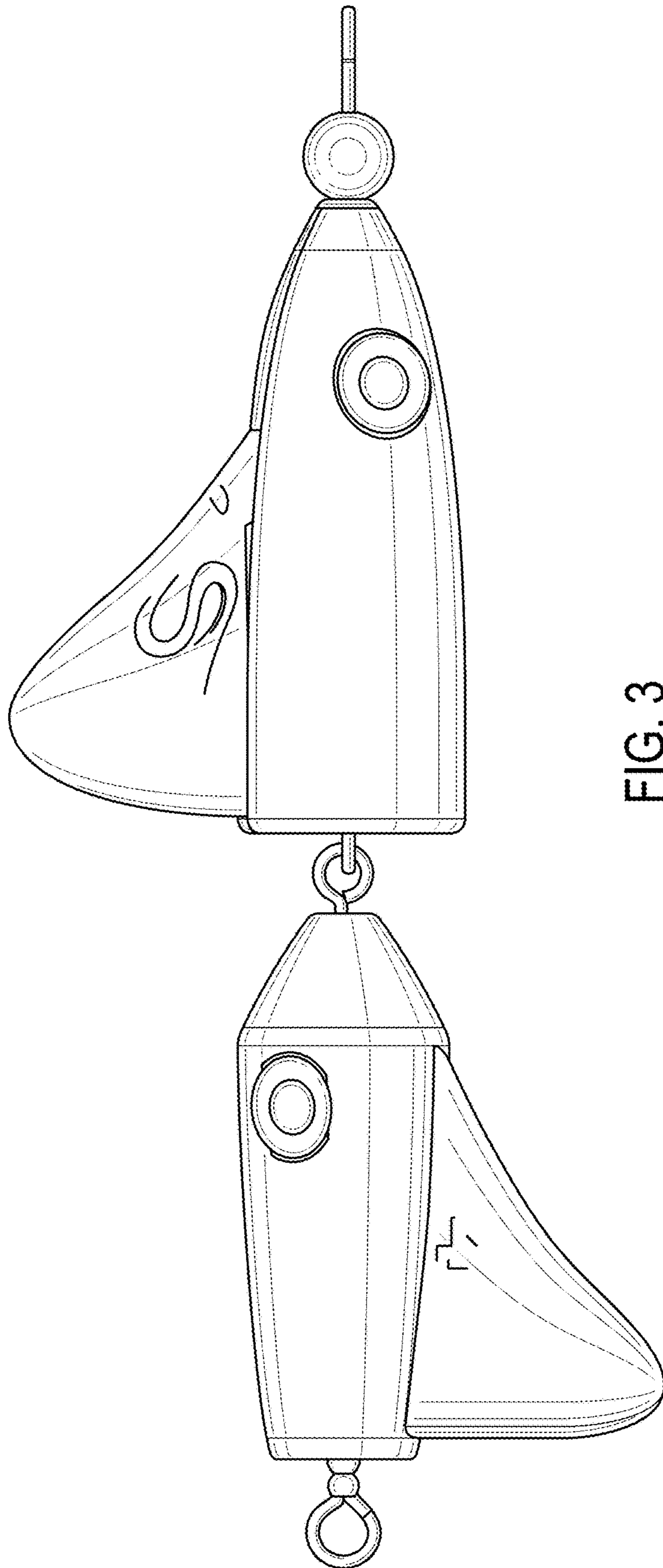


FIG. 2



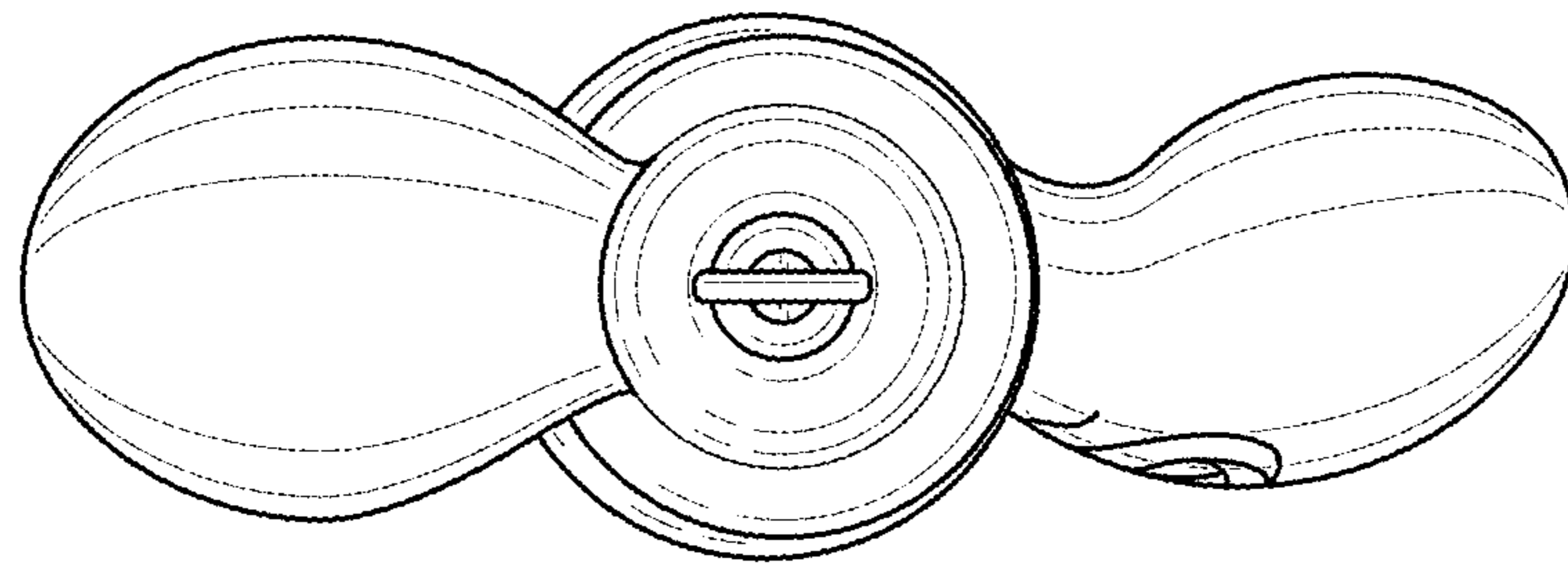


FIG. 5

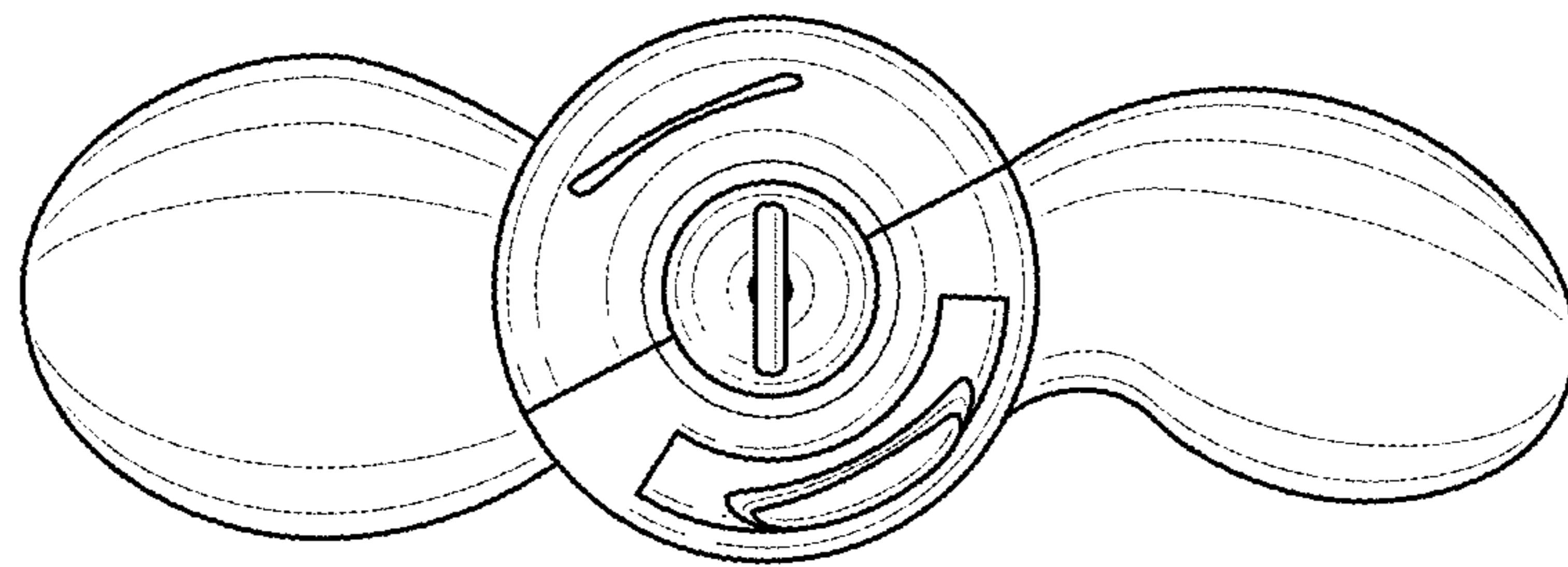


FIG. 4

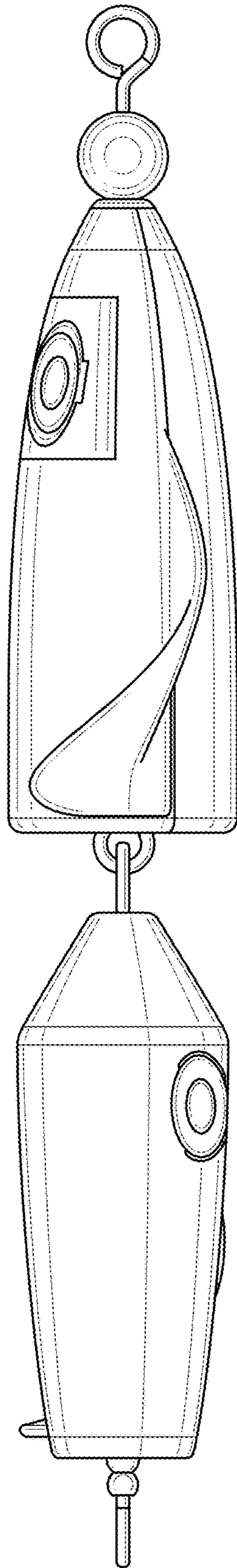


FIG. 6

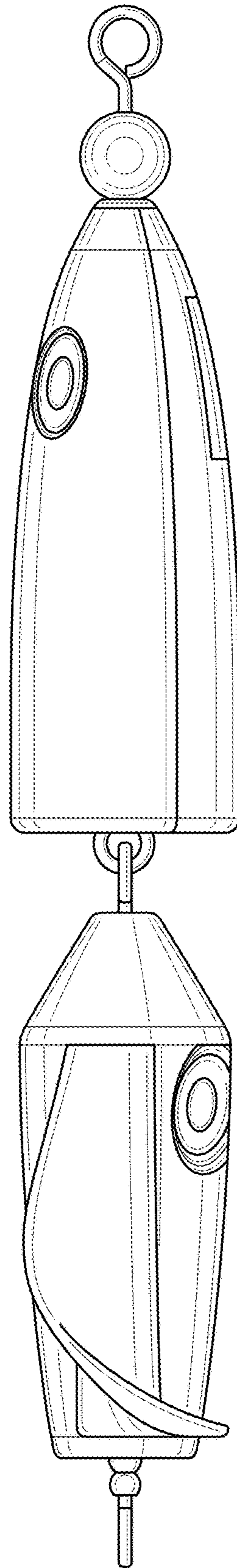


FIG. 7

