



US00D822785S

(12) **United States Design Patent** (10) **Patent No.:** **US D822,785 S**
Norris et al. (45) **Date of Patent:** **** Jul. 10, 2018**

(54) **PROJECTILE CASING**
(71) Applicant: **Wrap Technologies, Inc.**, Las Vegas, NV (US)
(72) Inventors: **Elwood Norris**, Las Vegas, NV (US); **Lee-Anne Stossell**, Las Vegas, NV (US); **Jin Chen**, Las Vegas, NV (US); **Julian Groeli**, Las Vegas, NV (US)
(73) Assignee: **Wrap Technologies, Inc.**, Las Vegas, NV (US)
(**) Term: **15 Years**
(21) Appl. No.: **29/619,637**
(22) Filed: **Sep. 29, 2017**
(51) **LOC (11) Cl.** **22-01**
(52) **U.S. Cl.**
USPC **D22/117**
(58) **Field of Classification Search**
USPC **D22/117**
CPC **F41B 11/55; F41B 11/51; F41B 11/62**
See application file for complete search history.

1,536,164 A 5/1925 Tainton
2,354,451 A 7/1944 Forbes
2,372,383 A 3/1945 Lee
2,373,363 A 4/1945 Hubert
2,373,364 A 4/1945 Wellcome
2,611,340 A 9/1952 Manning
2,668,499 A 2/1954 Amedee
2,797,924 A 7/1957 Stewart
3,085,510 A 4/1963 Campbell
3,484,665 A 12/1969 Mountjoy et al.
3,717,348 A 2/1973 Bowers
3,803,463 A 4/1974 Cover
3,831,306 A 8/1974 Gregg
3,921,614 A 11/1975 Fogelgren
4,253,132 A 2/1981 Cover
4,559,737 A 12/1985 Washington
4,656,947 A 4/1987 Gordon
4,664,034 A 5/1987 Christian
4,750,692 A 6/1988 Howard

(Continued)

Primary Examiner — Michael A. Pratt
(74) *Attorney, Agent, or Firm* — Thorpe, North & Western, LLP

(57) **CLAIM**

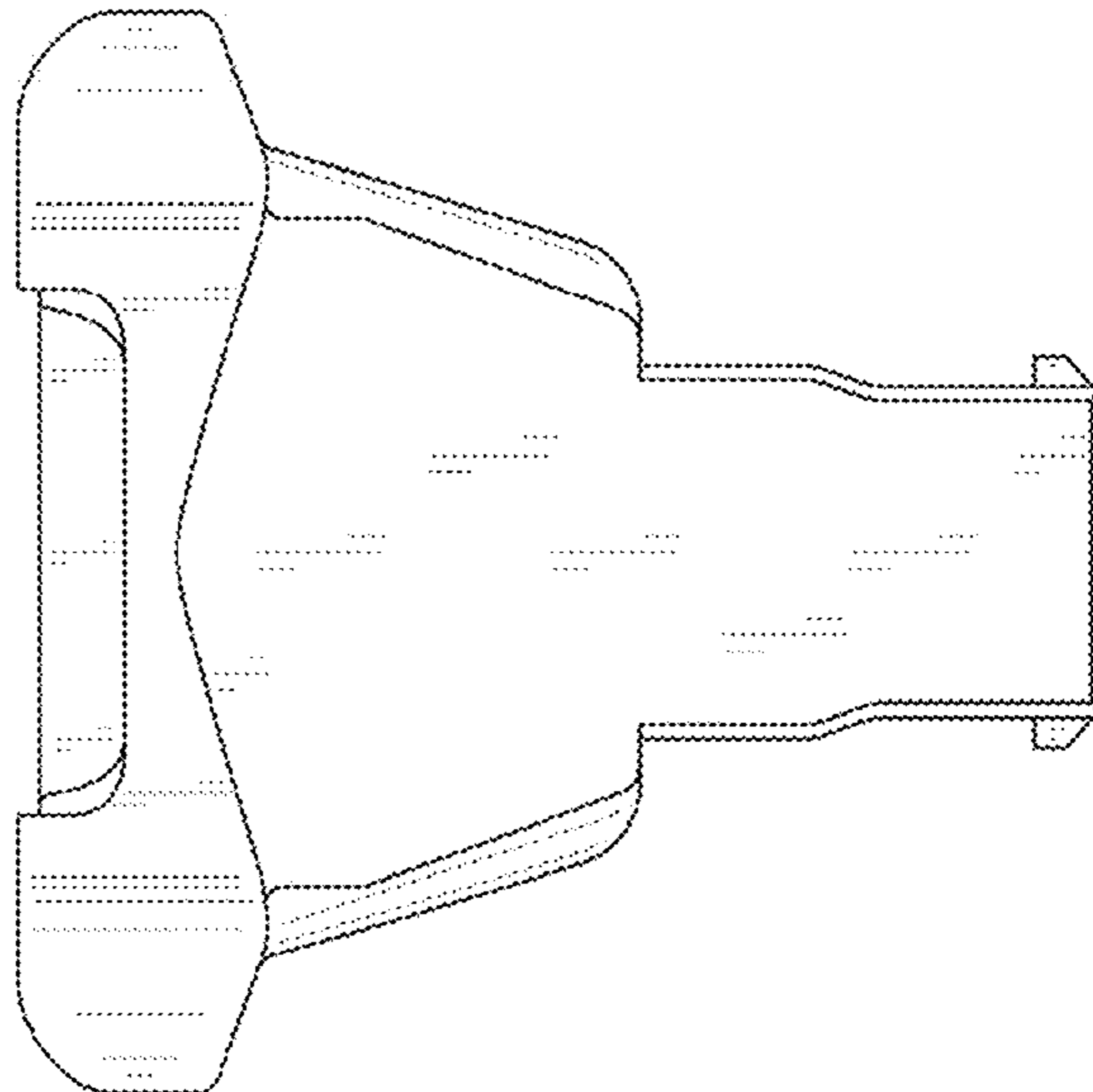
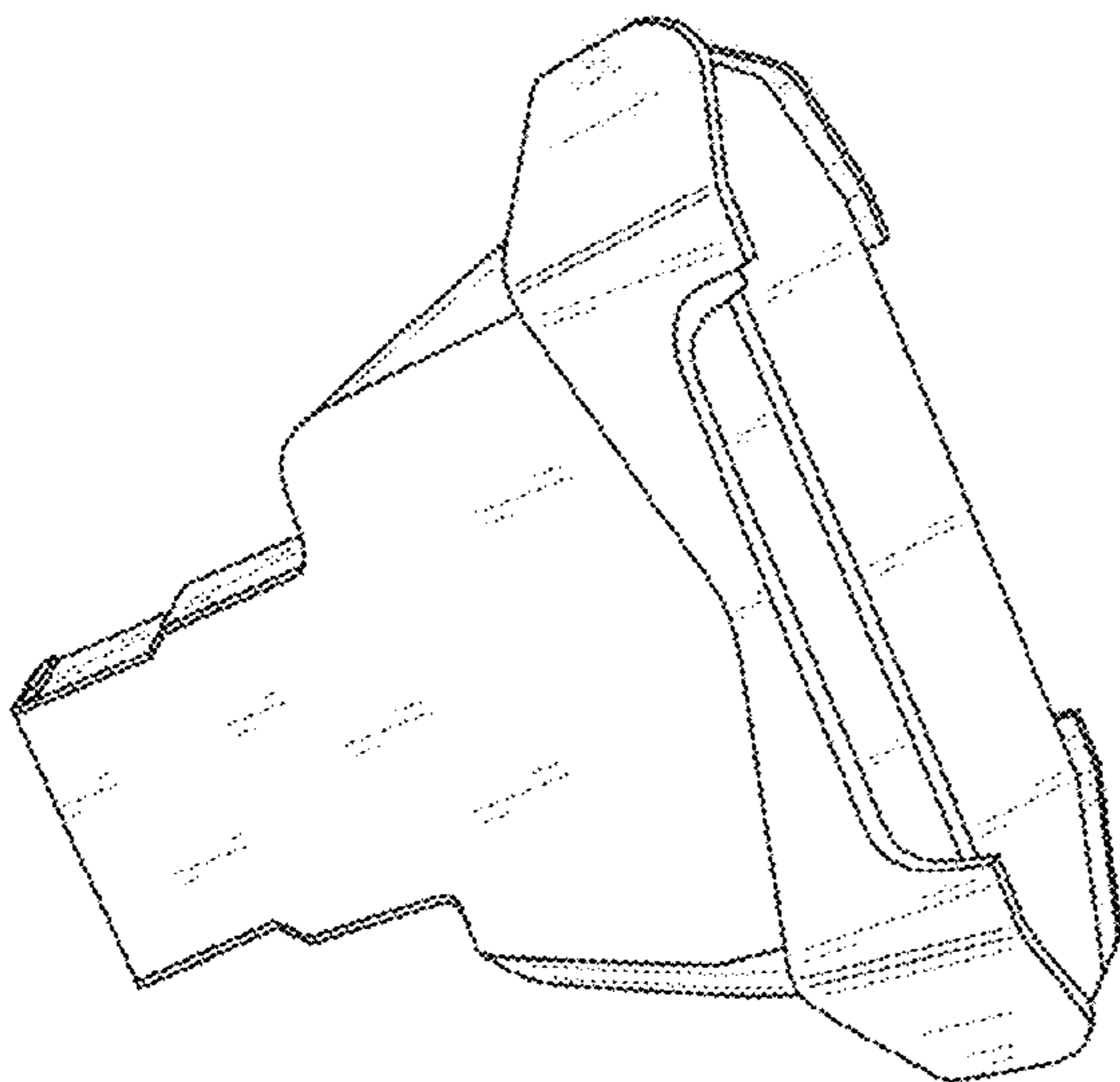
The ornamental design for the projectile casing, as shown herein.

DESCRIPTION

FIG. 1 is a perspective view of a projectile casing in accordance with our invention;
FIG. 2 is a top view thereof, an opposing bottom view being a mirror image thereof;
FIG. 3 is a side view thereof, an opposing side view being a mirror image thereof;
FIG. 4 is a front view thereof; and,
FIG. 5 is a rear view thereof.
The broken lines shown in the figures are directed to environment. The broken lines form no part of the claimed design.

1 Claim, 3 Drawing Sheets

(56) **References Cited**
U.S. PATENT DOCUMENTS
34,626 A 3/1862 Ely
34,628 A 3/1862 Gault
35,734 A 6/1862 Gault
39,282 A 7/1863 Ganster
347,988 A 8/1886 Boyd
1,151,070 A 8/1915 Victory
1,198,035 A 9/1916 Huntington
1,211,001 A 1/1917 Steinmetz
1,217,415 A 2/1917 Colomyliczuk
1,229,421 A 6/1917 Downs
1,276,689 A 8/1918 Poudrier
1,304,857 A 5/1919 Davis
1,488,182 A 3/1924 Whelton



(56)

References Cited

U.S. PATENT DOCUMENTS

4,752,539 A	6/1988	Vatter	7,673,411 B1	3/2010	Baldwin
4,912,867 A	4/1990	Dukes, Jr.	7,686,002 B2	3/2010	Andrews
4,912,869 A	4/1990	Govett	7,778,005 B2	8/2010	Saliga
5,078,117 A	1/1992	Cover	7,791,858 B2	9/2010	Hummel et al.
5,103,366 A	4/1992	Battochi	7,856,929 B2	12/2010	Gavin
5,279,482 A	1/1994	Dzenitis	7,859,818 B2	12/2010	Kroll et al.
5,315,932 A	5/1994	Bertram	7,900,388 B2	3/2011	Brundula et al.
5,326,101 A	7/1994	Fay	7,905,180 B2	3/2011	Chen
5,396,830 A	3/1995	Kornblith	7,950,176 B1	5/2011	Nemtyshkin
5,460,155 A	10/1995	Hobbs	7,950,329 B1	5/2011	Nemtyshkin et al.
5,561,263 A	10/1996	Baillod	7,984,676 B1	7/2011	Gavin
5,649,466 A	7/1997	Genovese	8,024,889 B2	9/2011	Bunker
5,654,867 A	8/1997	Murray	8,082,199 B2	12/2011	Kwok
5,698,815 A	12/1997	Ragner	D651,679 S *	1/2012	Klug D22/108
5,706,795 A	1/1998	Gerwig	8,141,493 B1	3/2012	Kuchman
5,750,918 A	5/1998	Mangolds	8,186,276 B1	5/2012	Olden
5,786,546 A	7/1998	Simson	8,231,474 B2	7/2012	Stethem
5,814,753 A	9/1998	Rieger	8,245,617 B2	8/2012	Martinez
5,831,199 A	11/1998	McNulty, Jr.	8,261,666 B2	9/2012	Garg
5,898,125 A	4/1999	Mangolds	8,281,776 B2	10/2012	Rolf Korver et al.
5,962,806 A	10/1999	Coakley et al.	8,339,763 B2	12/2012	McNulty, Jr.
5,996,504 A	12/1999	Lowery	8,561,516 B2	10/2013	Martinez
6,283,037 B1	9/2001	Sclafani	8,601,928 B2	12/2013	Martinez
6,381,894 B1	5/2002	Murphy	8,671,841 B2	3/2014	Raquin
6,382,071 B1	5/2002	Bertani	8,695,578 B2	4/2014	Olden
6,543,173 B1	4/2003	Golan	8,899,139 B2	12/2014	Brill
6,575,073 B2	6/2003	McNulty, Jr. et al.	9,025,304 B2	5/2015	Brundula et al.
6,615,622 B2	9/2003	MacAleese	D736,885 S *	8/2015	Swan D22/108
6,636,412 B2	10/2003	Smith	9,134,099 B2	9/2015	Tseng
6,729,222 B2	5/2004	McNulty, Jr.	9,303,942 B2	4/2016	Sievers
6,820,560 B1	11/2004	Romppanen	9,638,498 B2	5/2017	Chang
6,880,466 B2	4/2005	Carman	D791,901 S *	7/2017	Swan D22/108
6,898,887 B1	5/2005	Stratbucker	2002/0134365 A1	9/2002	Gray
7,042,696 B2	5/2006	Smith	2003/0165041 A1	9/2003	Stethem
7,065,915 B2	6/2006	Chang	2003/0165042 A1	9/2003	Stethem
7,114,450 B1	10/2006	Chang	2005/0166441 A1	8/2005	Mattox
7,143,539 B2	12/2006	Cerovic et al.	2007/0101893 A1	5/2007	Shalev
7,218,501 B2	5/2007	Keely	2007/0264079 A1	11/2007	Martinez
7,237,352 B2	7/2007	Keely et al.	2009/0084284 A1	4/2009	Martinez et al.
7,314,007 B2	1/2008	Su	2010/0126483 A1	5/2010	Makowski
7,327,549 B2	2/2008	Smith	2011/0271825 A1	11/2011	Howland
D570,948 S *	6/2008	Cerovic D22/108	2012/0210904 A1	8/2012	Merems
7,412,975 B2	8/2008	Dillon, Jr.	2014/0331984 A1	11/2014	Brahler, II
7,444,939 B2	11/2008	McNulty et al.	2015/0075073 A1	3/2015	Sylvester
7,444,940 B2	11/2008	Kapeles et al.	2015/0168107 A1	6/2015	Tseng
D602,109 S *	10/2009	Cerovic D22/108	2015/0241180 A1	8/2015	Pruett
7,640,839 B2	1/2010	McNulty, Jr.	2015/0316345 A1	11/2015	Brahler, II
7,640,860 B1	1/2010	Glover	2016/0161225 A1	6/2016	Searle et al.
			2016/0238350 A1	9/2016	Tseng
			2017/0160060 A1	6/2017	Purvis

* cited by examiner

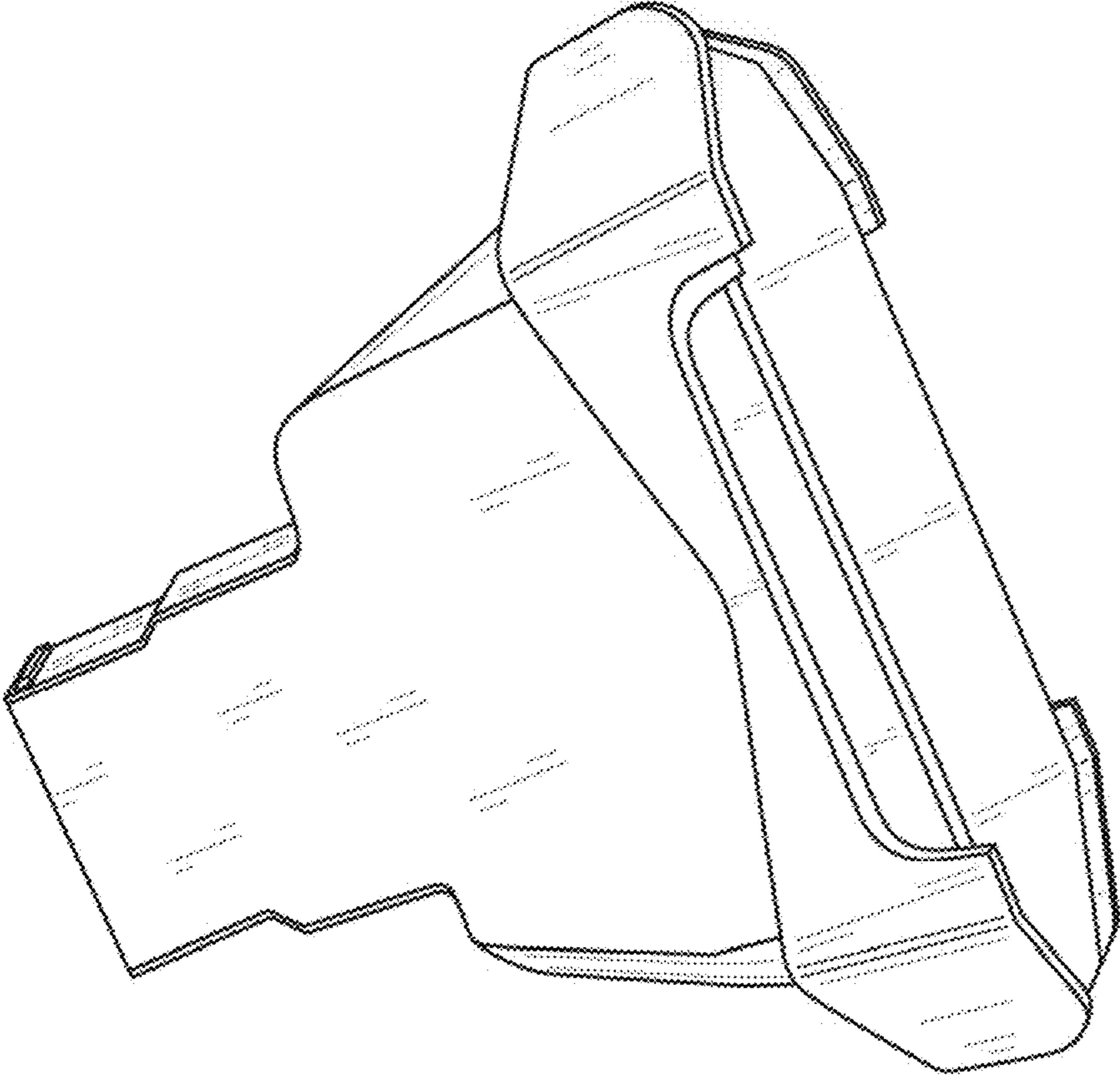


FIG. 1

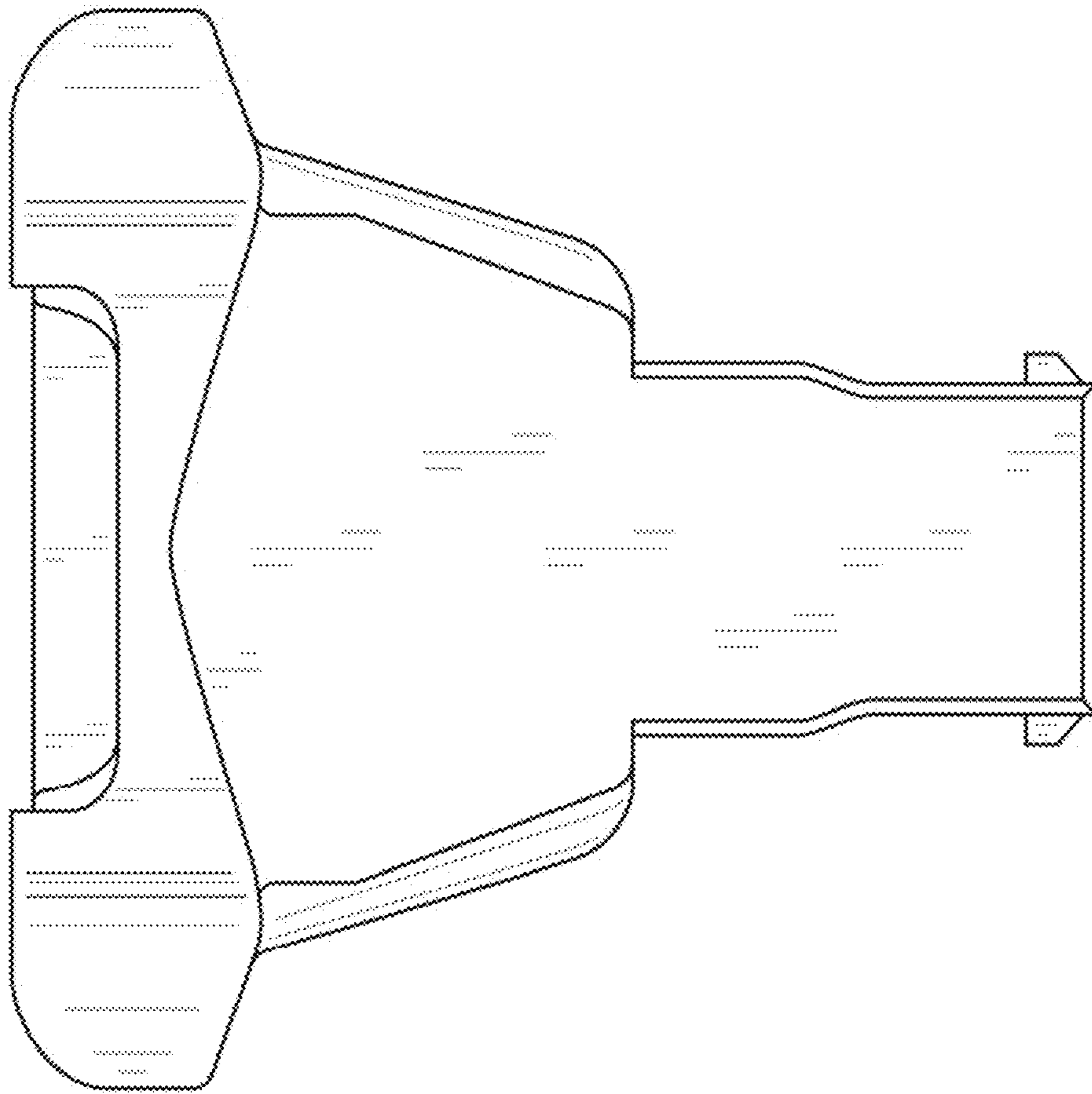


FIG. 2

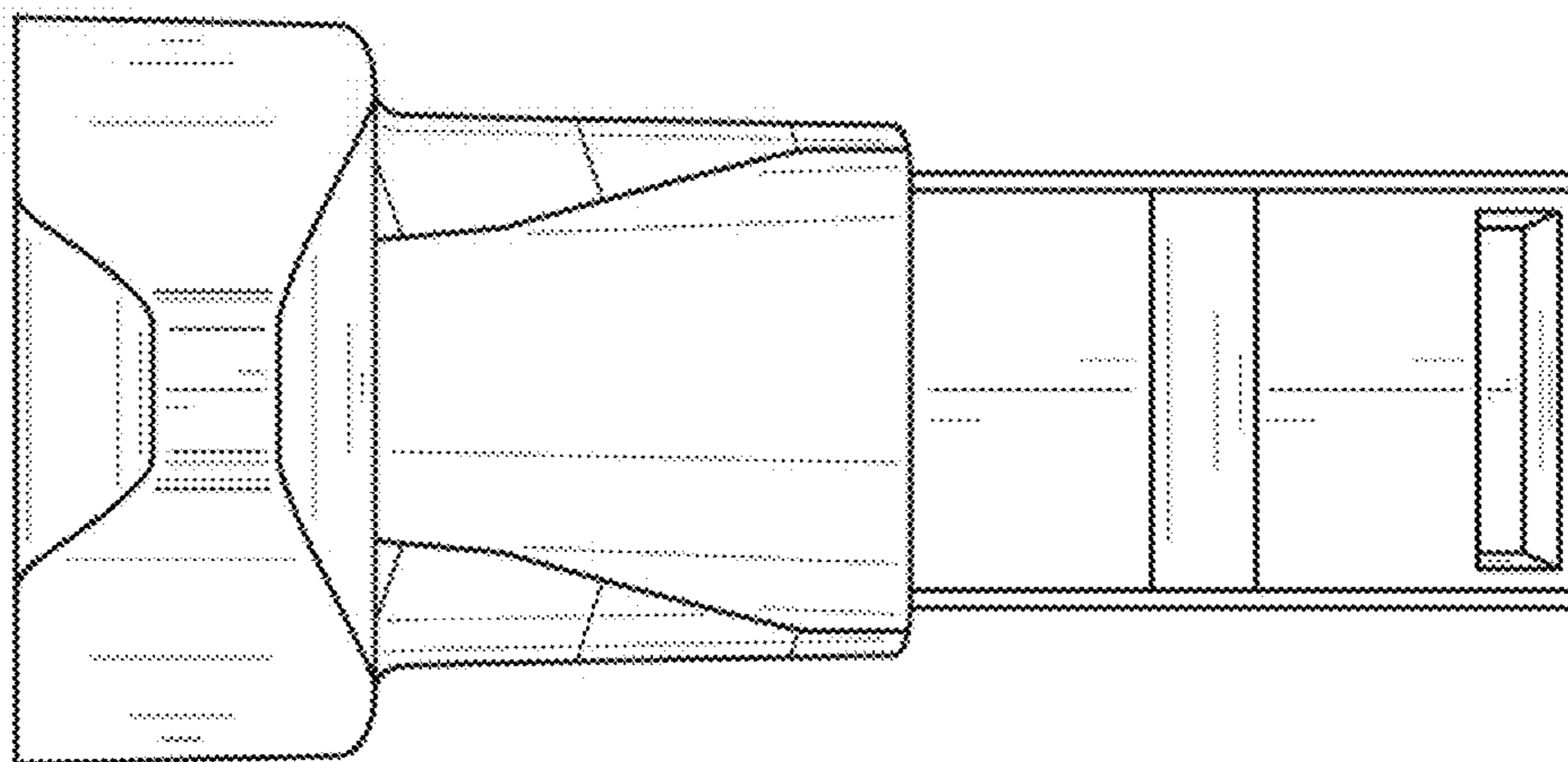


FIG. 3

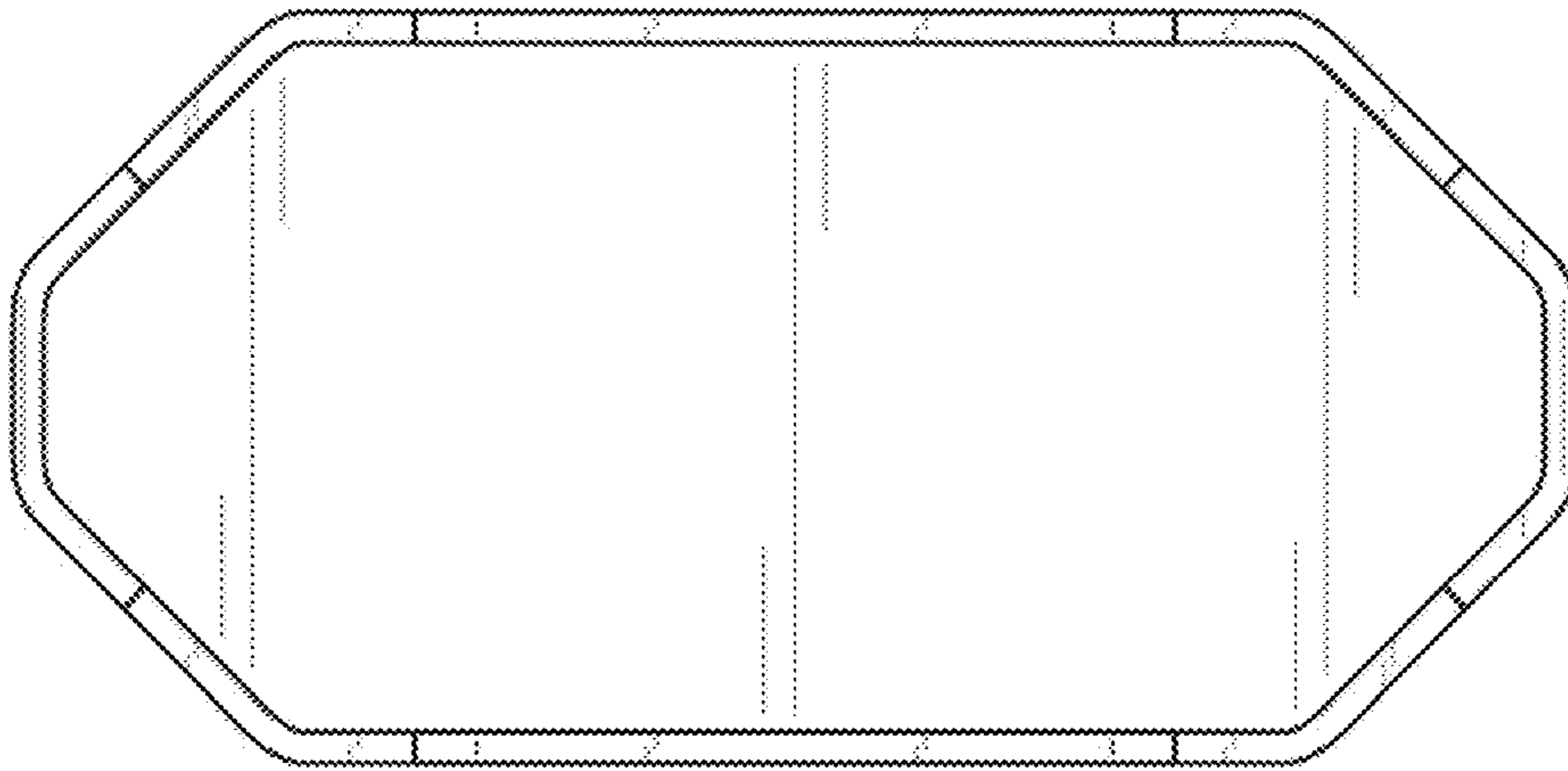


FIG. 4

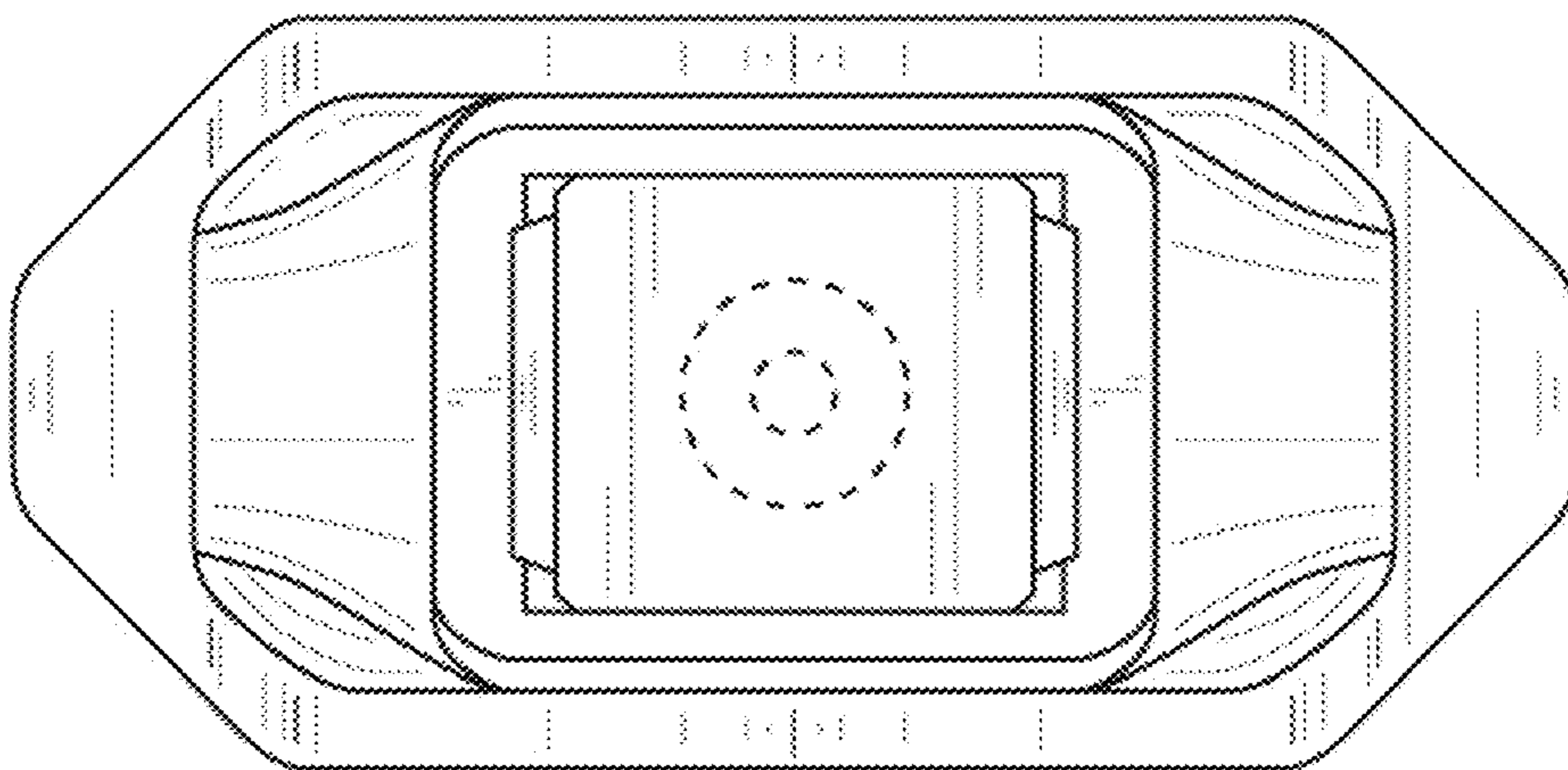


FIG. 5