

US00D822784S

(12) **United States Design Patent** (10) **Patent No.:** **US D822,784 S**
Sprecher et al. (45) **Date of Patent:** **** Jul. 10, 2018**

(54) **FIREARM SECURITY LOCK**

(71) Applicant: **Merc Arms, LLC**, Lebanon, PA (US)

(72) Inventors: **Joshua Tyler Sprecher**, Hershey, PA (US); **Thomas Edward Sprecher**, Lebanon, PA (US)

(73) Assignee: **Merc Arms, LLC**, Lebanon, PA (US)

(**) Term: **15 Years**

(21) Appl. No.: **29/578,487**

(22) Filed: **Sep. 22, 2016**

(51) **LOC (11) Cl.** **22-01**

(52) **U.S. Cl.**
 USPC **D22/108**

(58) **Field of Classification Search**
 USPC D22/108, 199
 CPC F41A 17/44
 See application file for complete search history.

(56) **References Cited**

U.S. PATENT DOCUMENTS

3,018,576	A	1/1962	Riechers	
3,089,272	A	5/1963	McKinlay	
3,378,943	A	4/1968	Valburg	
3,605,311	A	9/1971	Hermann	
3,634,963	A	1/1972	Hermann	
3,765,115	A	10/1973	Johansson et al.	
4,266,356	A	5/1981	Jarvinen	
4,835,894	A	6/1989	Libassi	
4,896,447	A	1/1990	Badoni	
5,050,328	A *	9/1991	Insko	F41A 17/54 42/70.07
5,231,236	A	7/1993	Del Real et al.	
5,241,769	A	9/1993	Von Muller	
5,331,759	A	7/1994	Marceau et al.	
5,419,069	A	5/1995	Mumbleau et al.	
D443,014	S *	5/2001	Vicale	D22/100
6,250,008	B1	6/2001	Silver	

6,389,727	B2 *	5/2002	Schnell	F41A 17/54 42/70.07
6,470,615	B1	10/2002	Peterken	
6,591,532	B1	7/2003	Gilbertson et al.	
6,675,520	B2	1/2004	Burigana	
6,694,659	B2	2/2004	Olsen	
7,140,139	B2	11/2006	Markbreit et al.	
D537,143	S *	2/2007	Farchione	D22/108
D620,996	S	8/2010	DiGiuseppe et al.	
7,966,759	B2	6/2011	Bentley	
D701,282	S	3/2014	Ferguson, II et al.	

(Continued)

Primary Examiner — Michael A. Pratt
 (74) *Attorney, Agent, or Firm* — Hooker & Habib, P.C.

(57) **CLAIM**

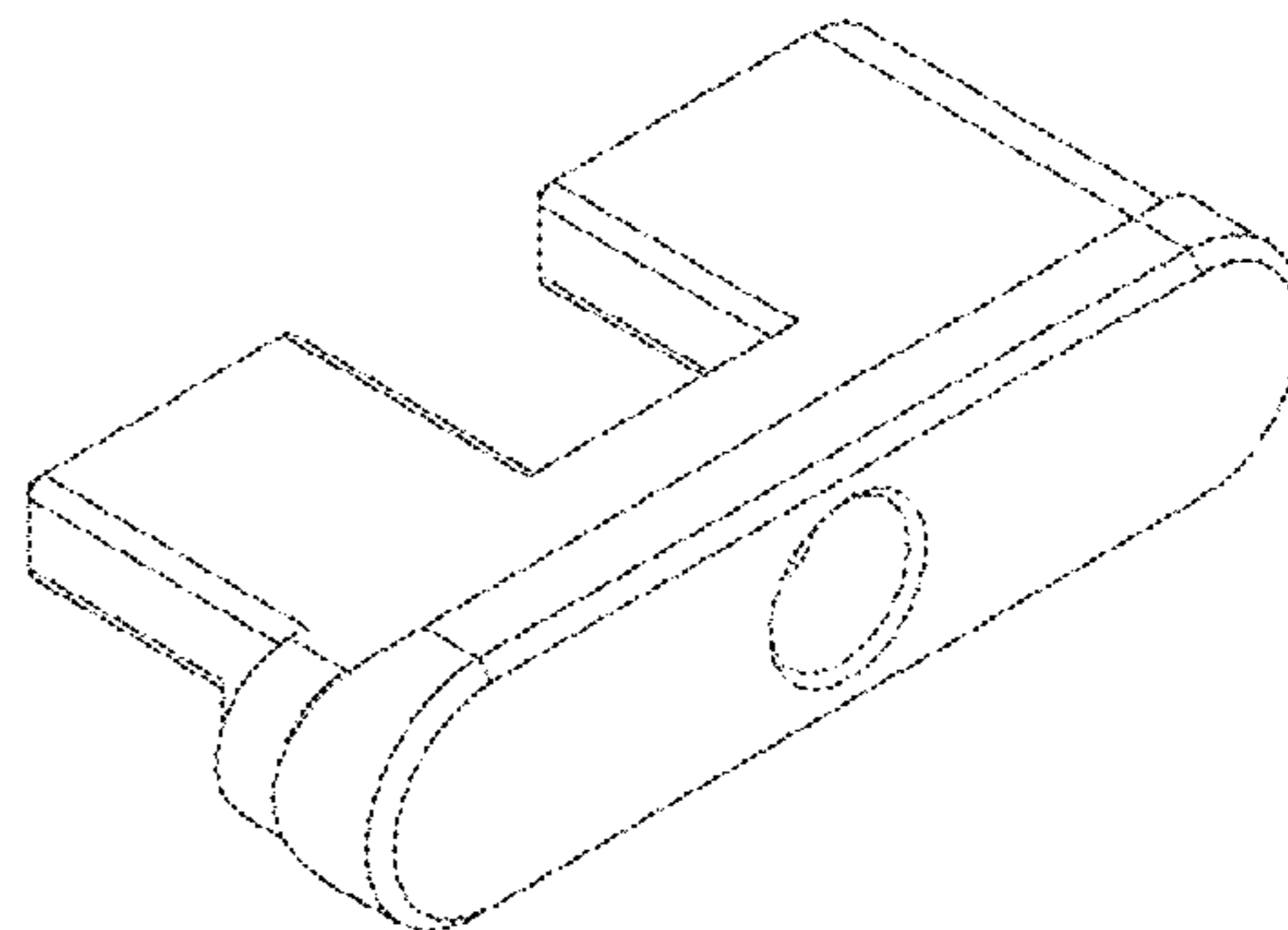
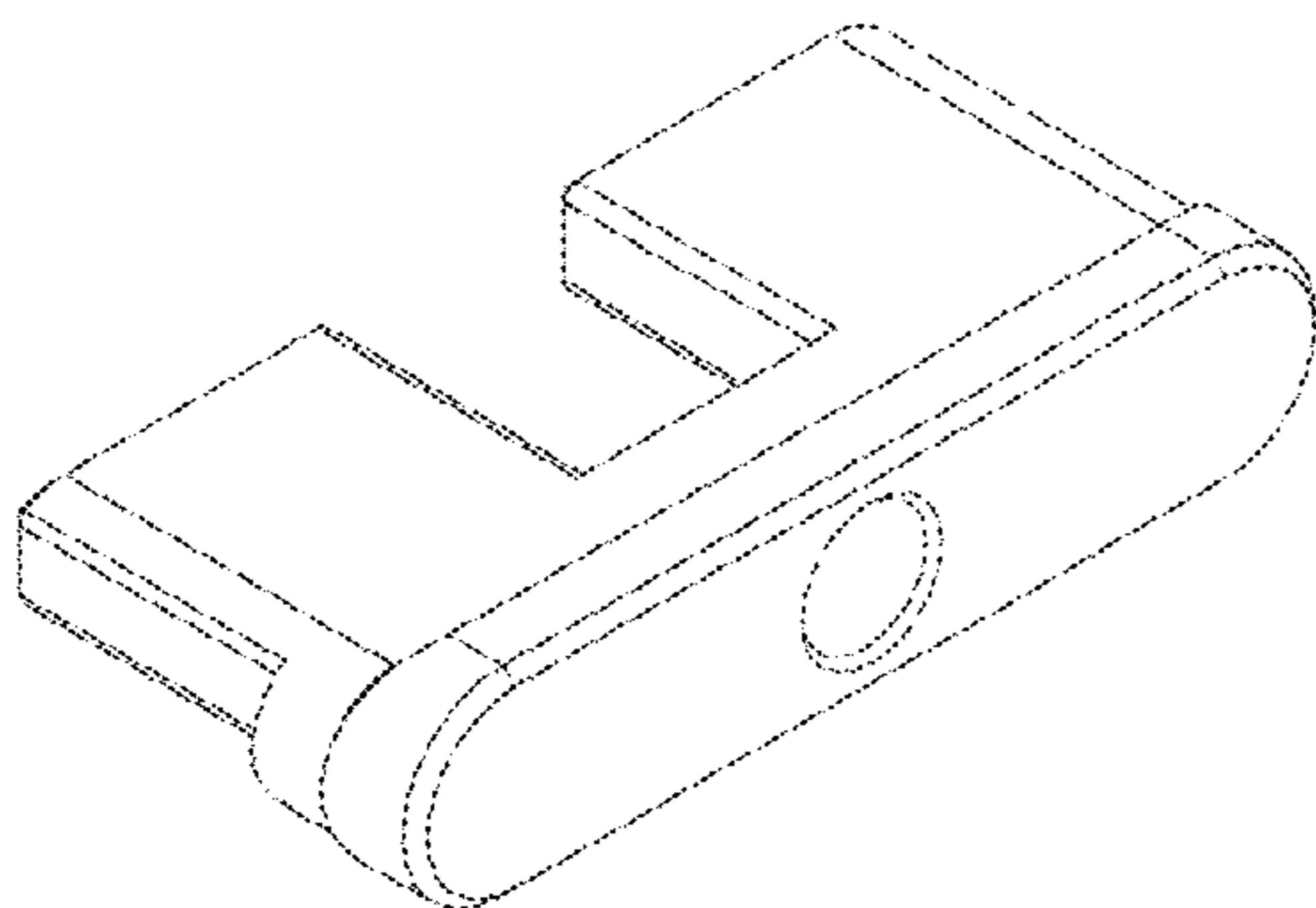
The ornamental design for a firearm security lock, as shown and described.

DESCRIPTION

FIG. 1 is a front-top perspective view of the firearm security lock;
 FIG. 2 is a front view thereof;
 FIG. 3 is a rear view thereof;
 FIG. 4 is a left side view thereof;
 FIG. 5 is a right side view thereof;
 FIG. 6 is a top plan view thereof;
 FIG. 7 is a bottom plan view thereof;
 FIG. 8 is a front-top perspective view of a second embodiment firearm security lock;
 FIG. 9 is a front view thereof;
 FIG. 10 is a rear view thereof;
 FIG. 11 is a left side view thereof;
 FIG. 12 is a right side view thereof;
 FIG. 13 is a top plan view thereof; and,
 FIG. 14 is a bottom plan view thereof.

The broken line portions of the figure drawings are included to show unclaimed subject matter only and form no part of the claimed design.

1 Claim, 4 Drawing Sheets



(56)

References Cited

U.S. PATENT DOCUMENTS

8,857,092 B2 10/2014 Bitsack
2015/0168090 A1 6/2015 Bitsack
2016/0377362 A1* 12/2016 Farr F41A 17/04
42/70.06

* cited by examiner

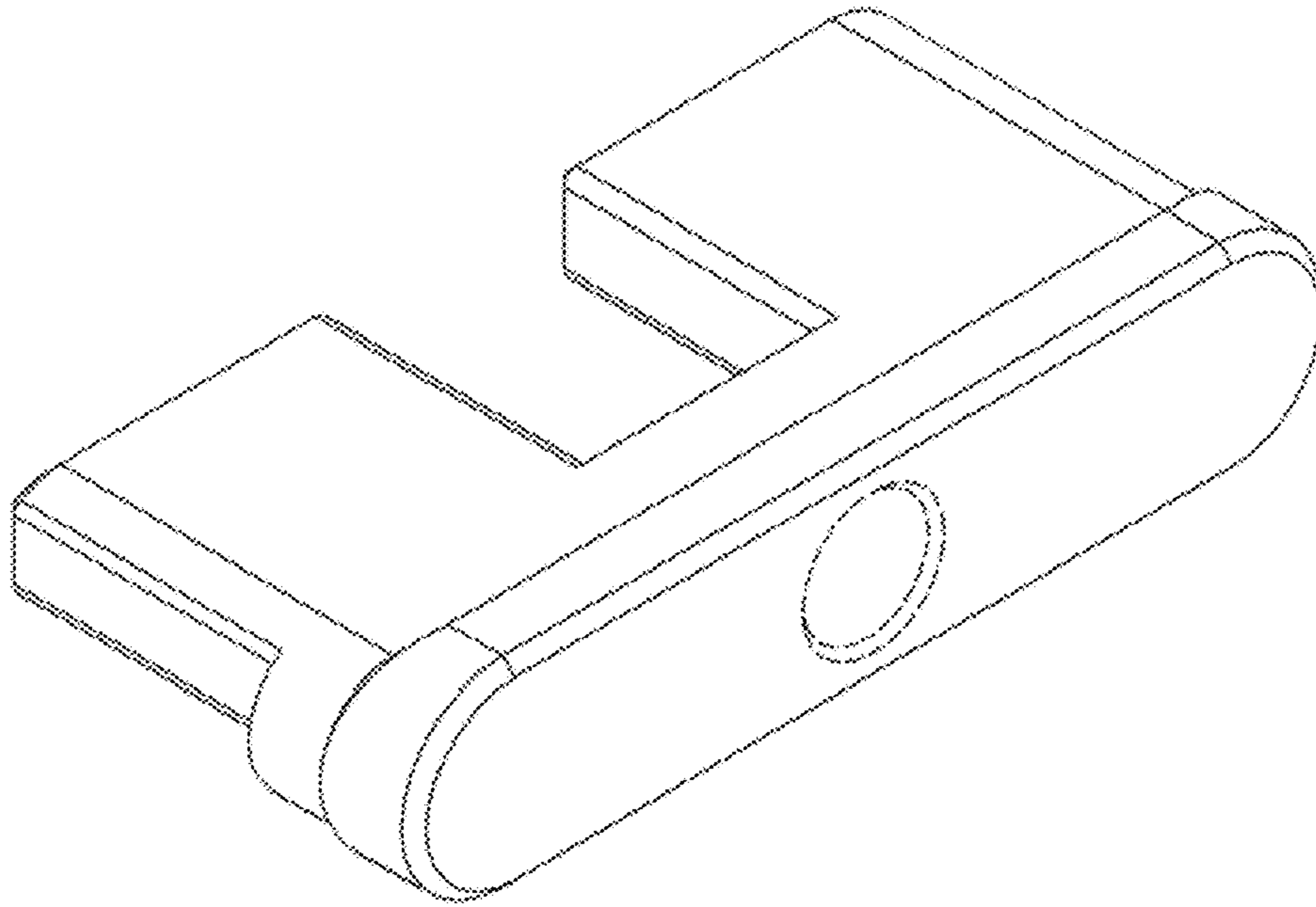


Fig. 1

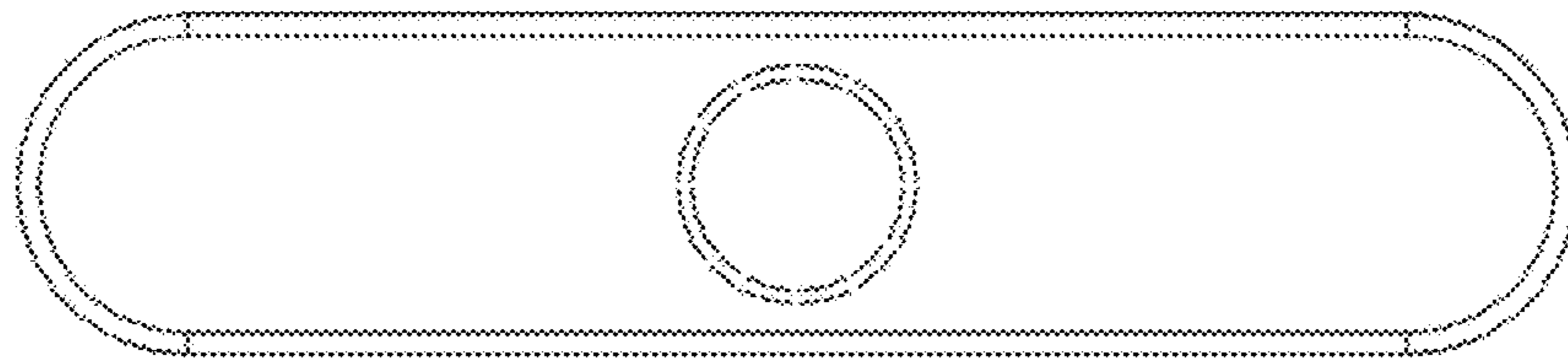


Fig. 2

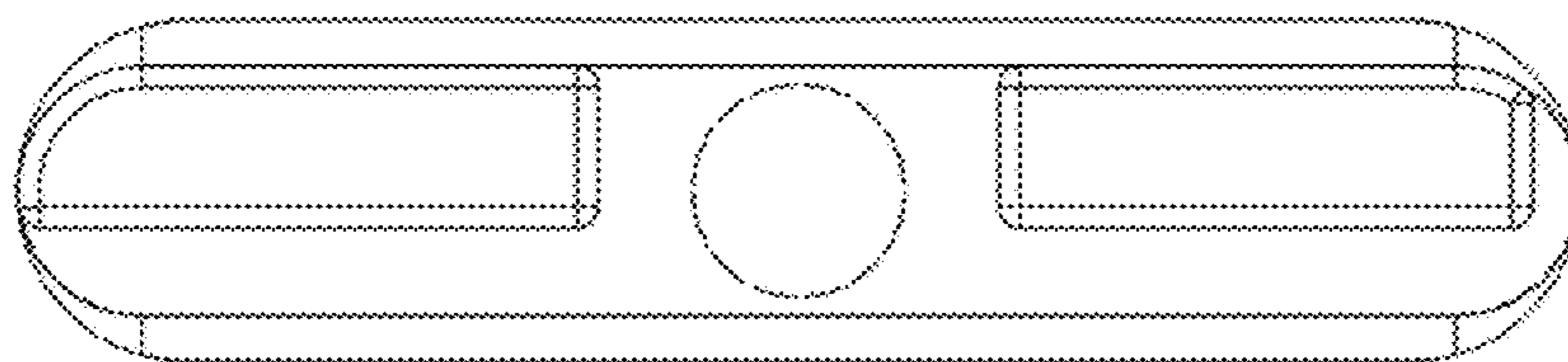


Fig. 3

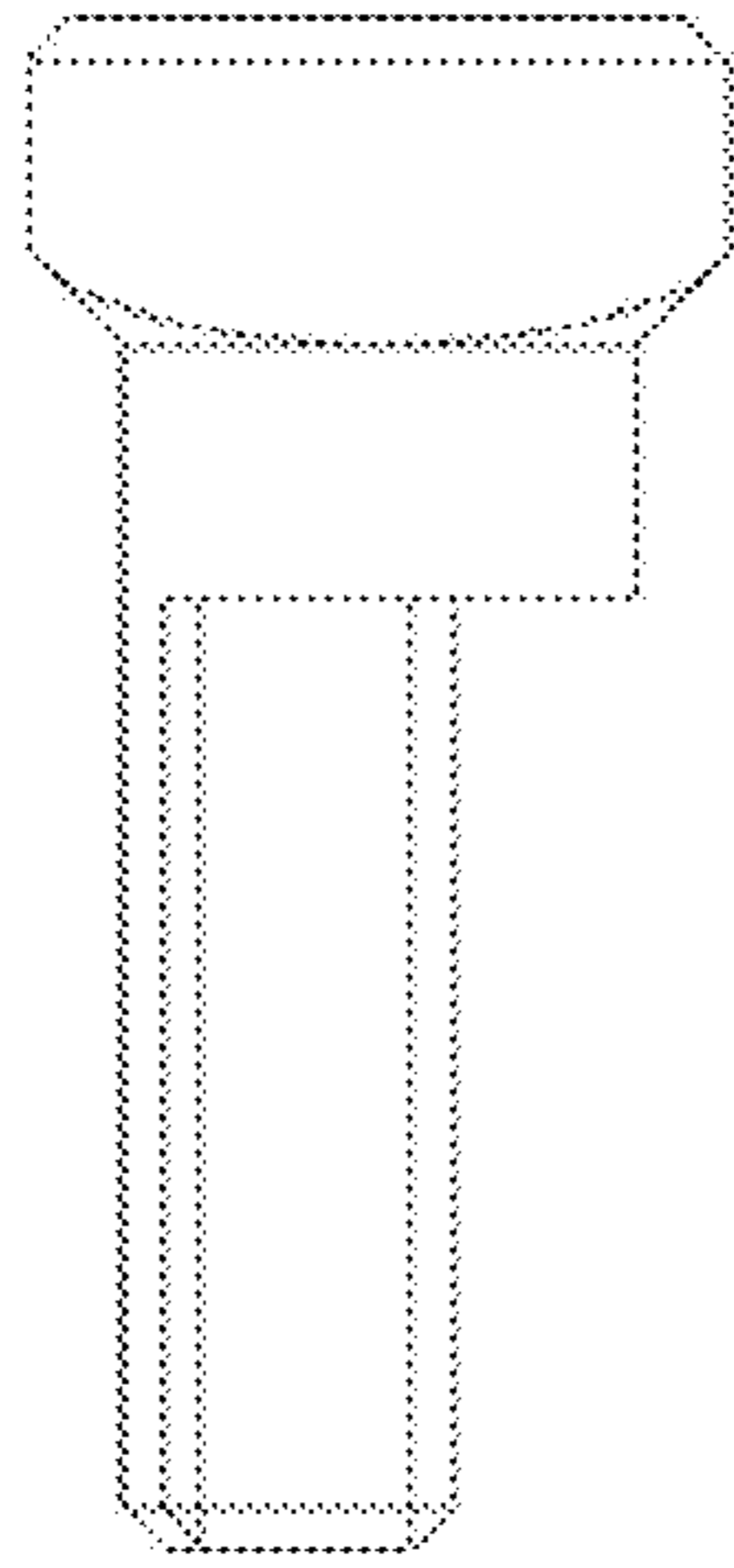


Fig. 4

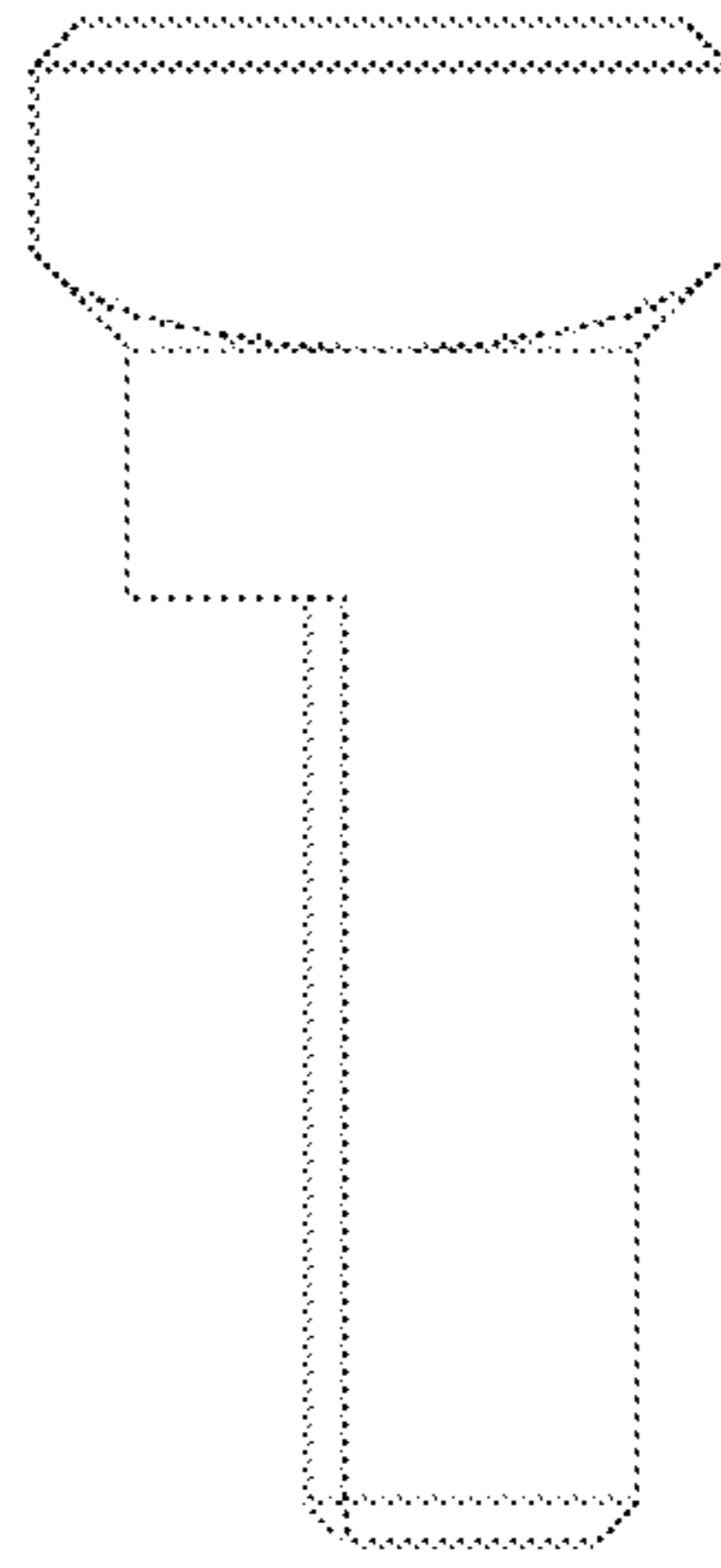


Fig. 5

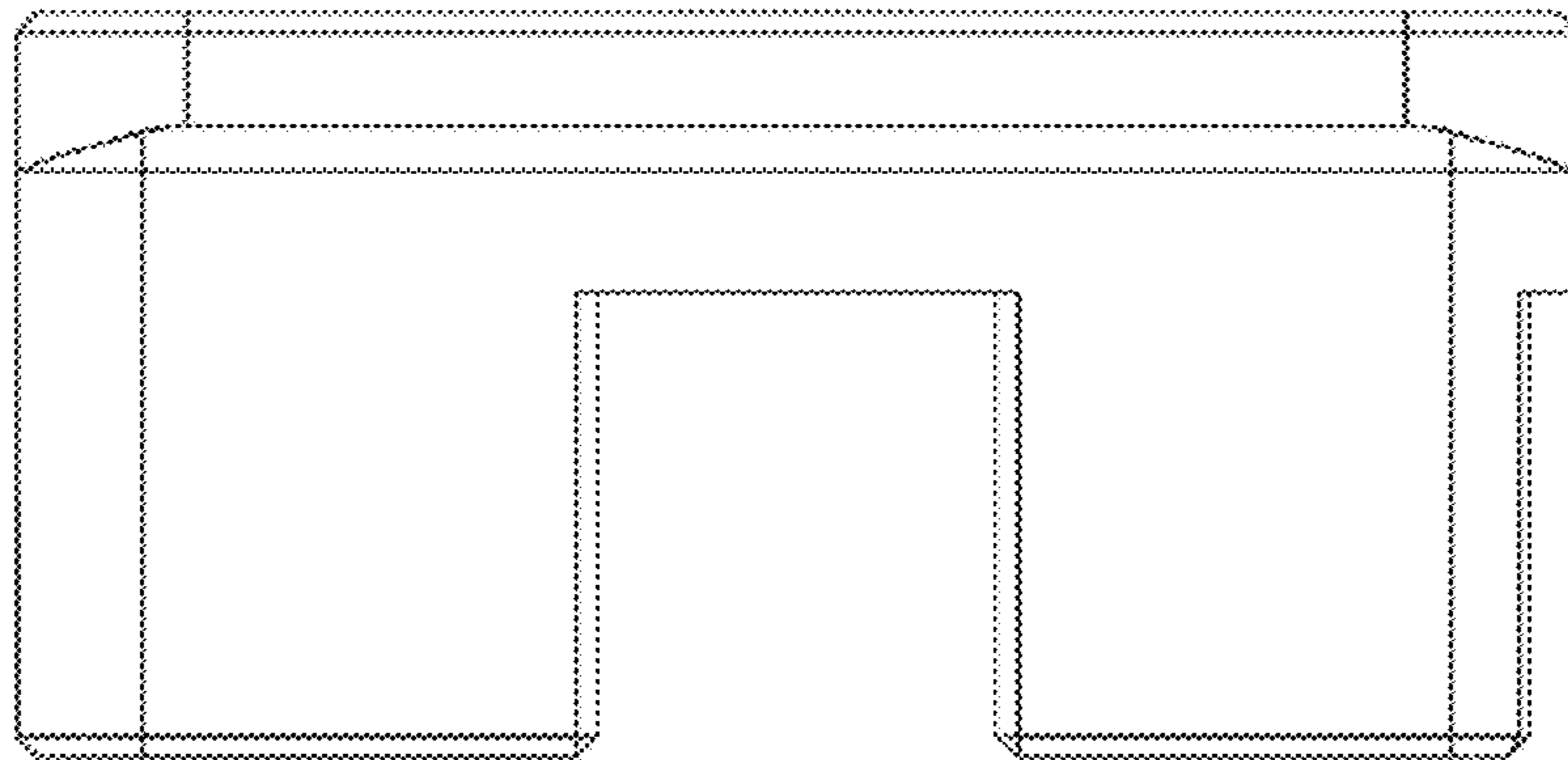


Fig. 6

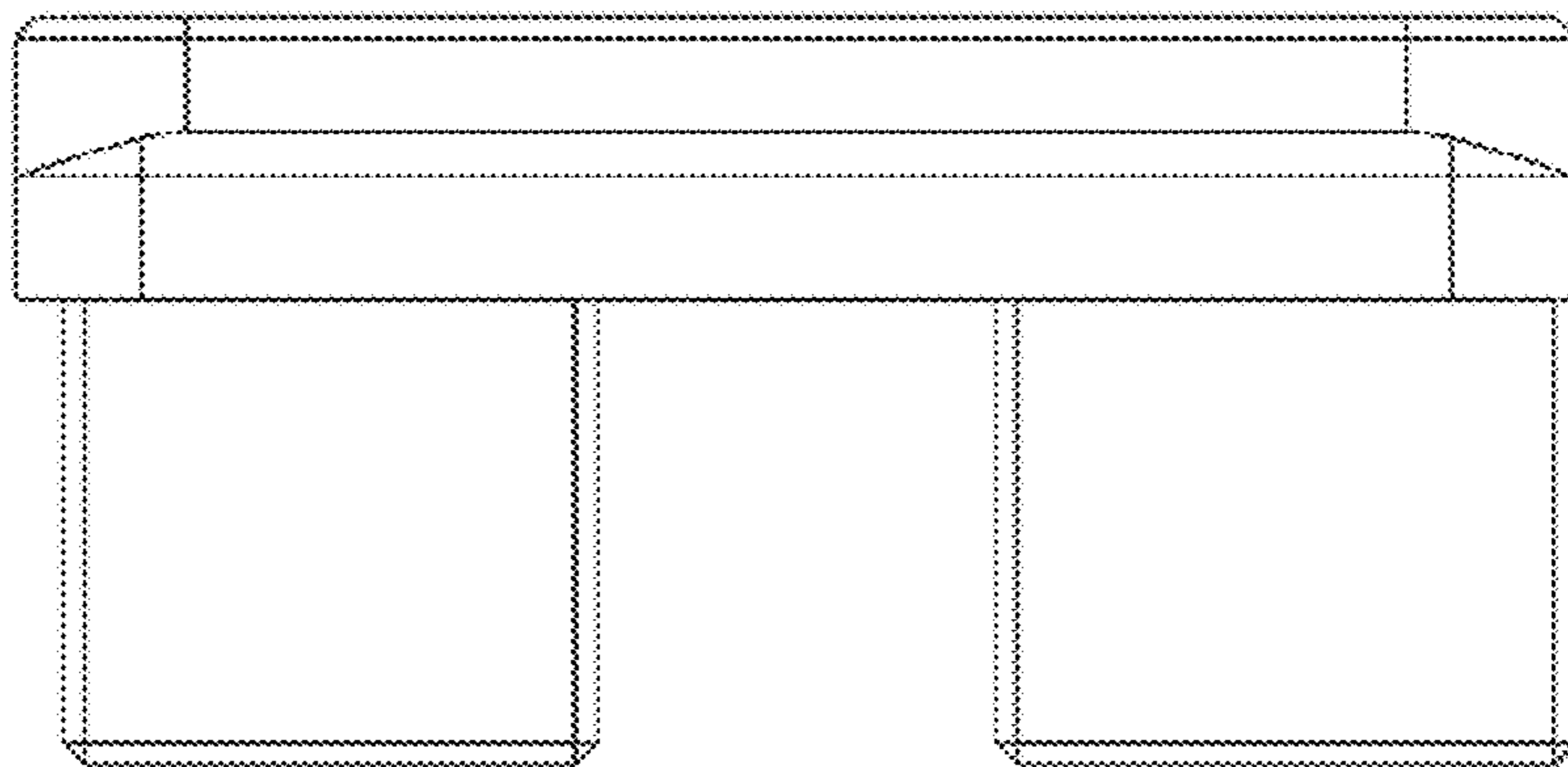


Fig. 7

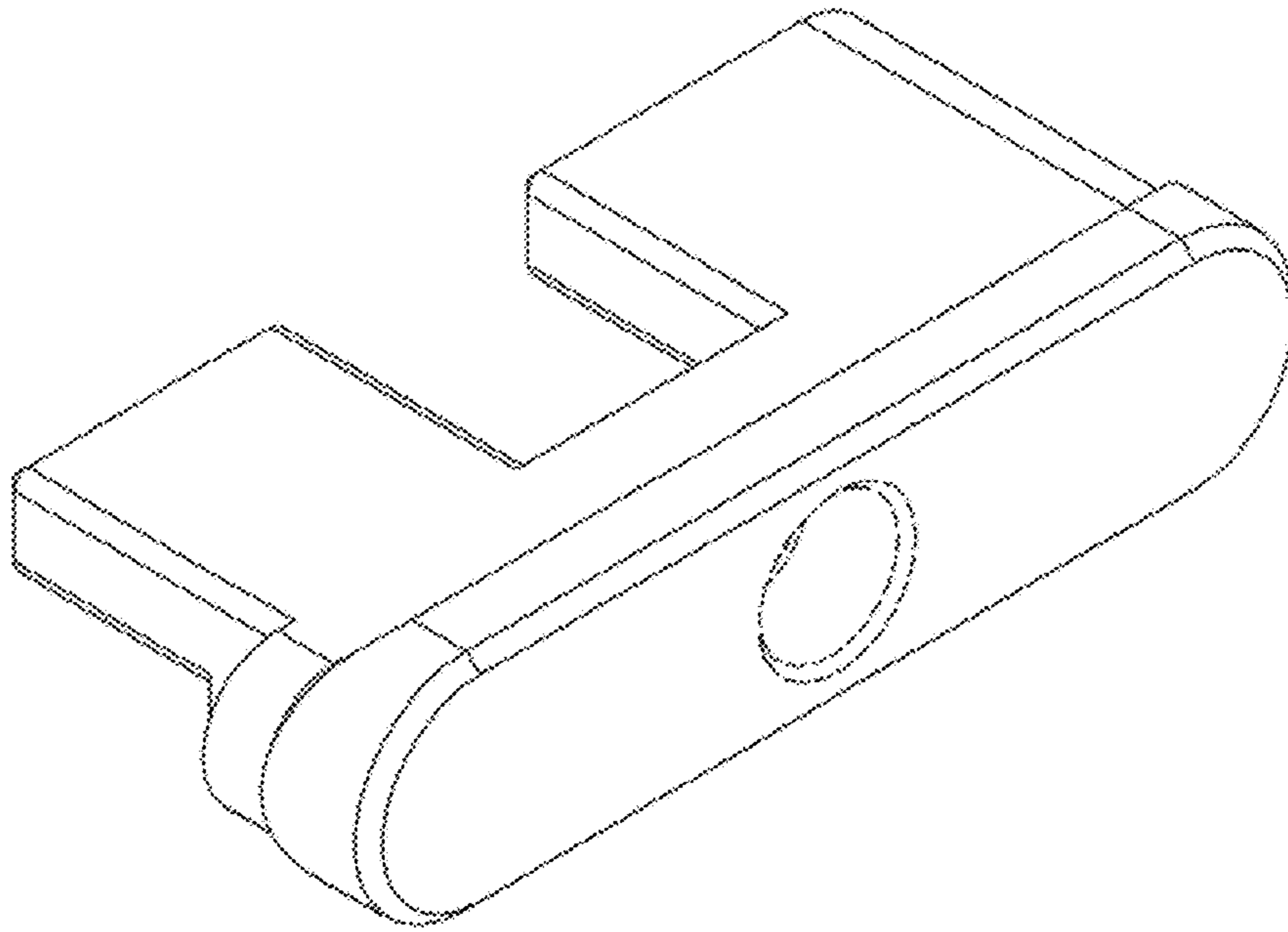


Fig. 8

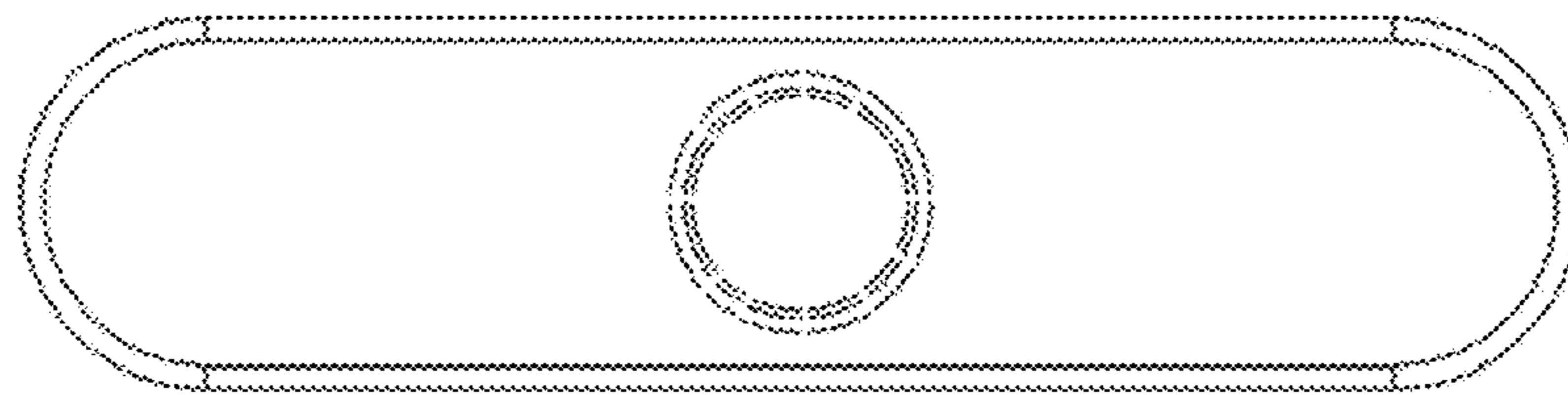


Fig. 9

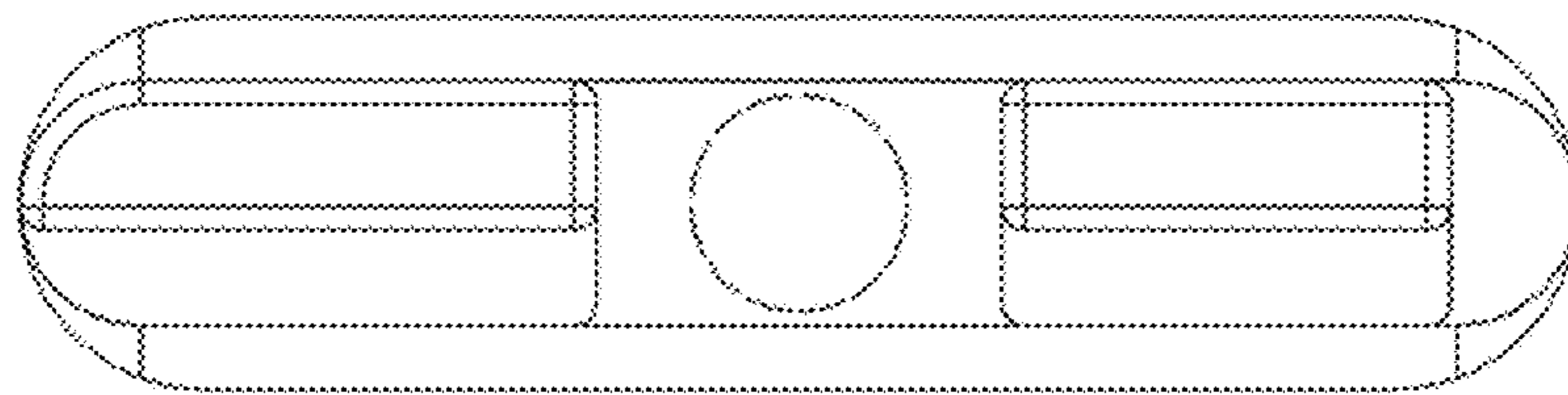


Fig. 10

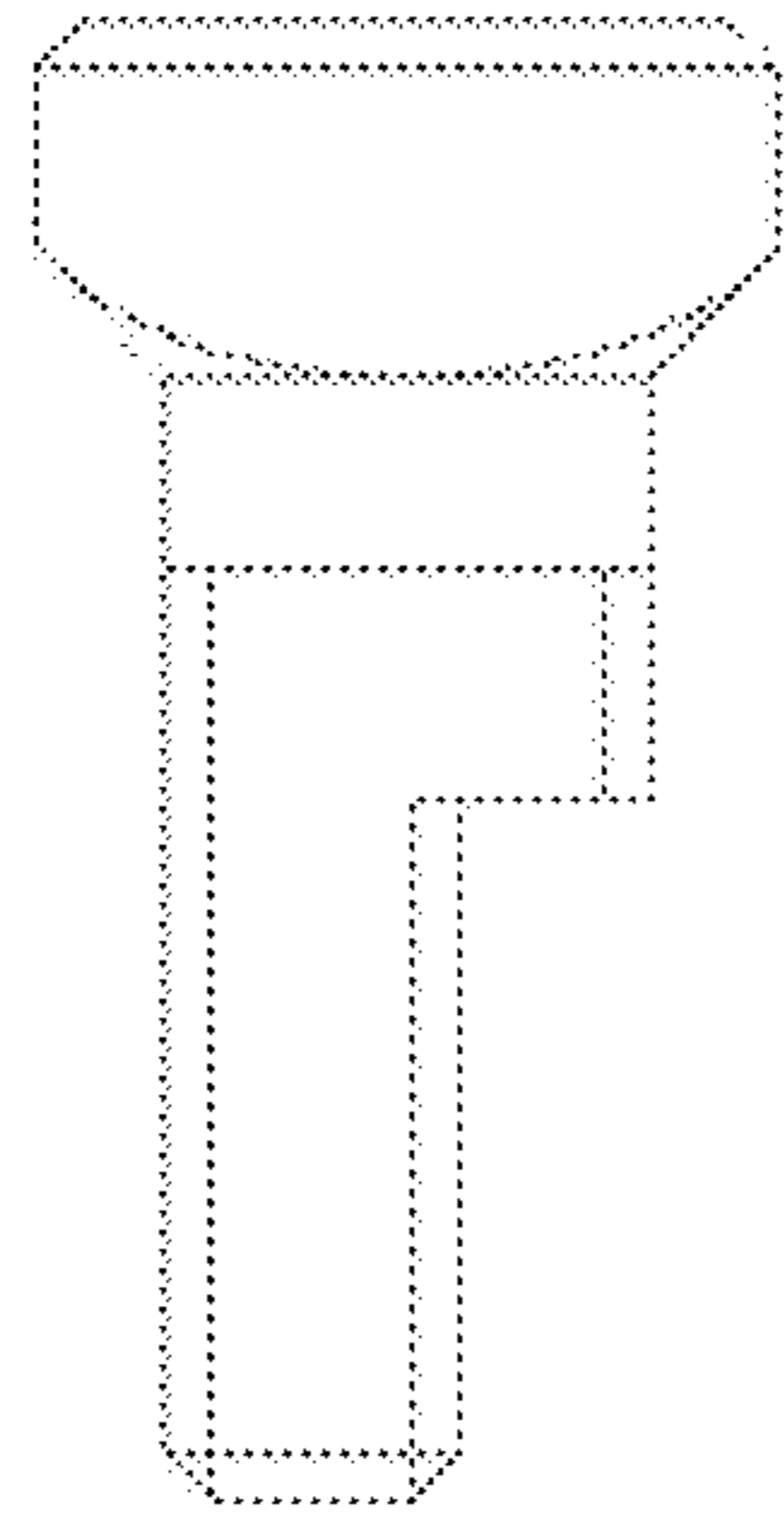


Fig. 11

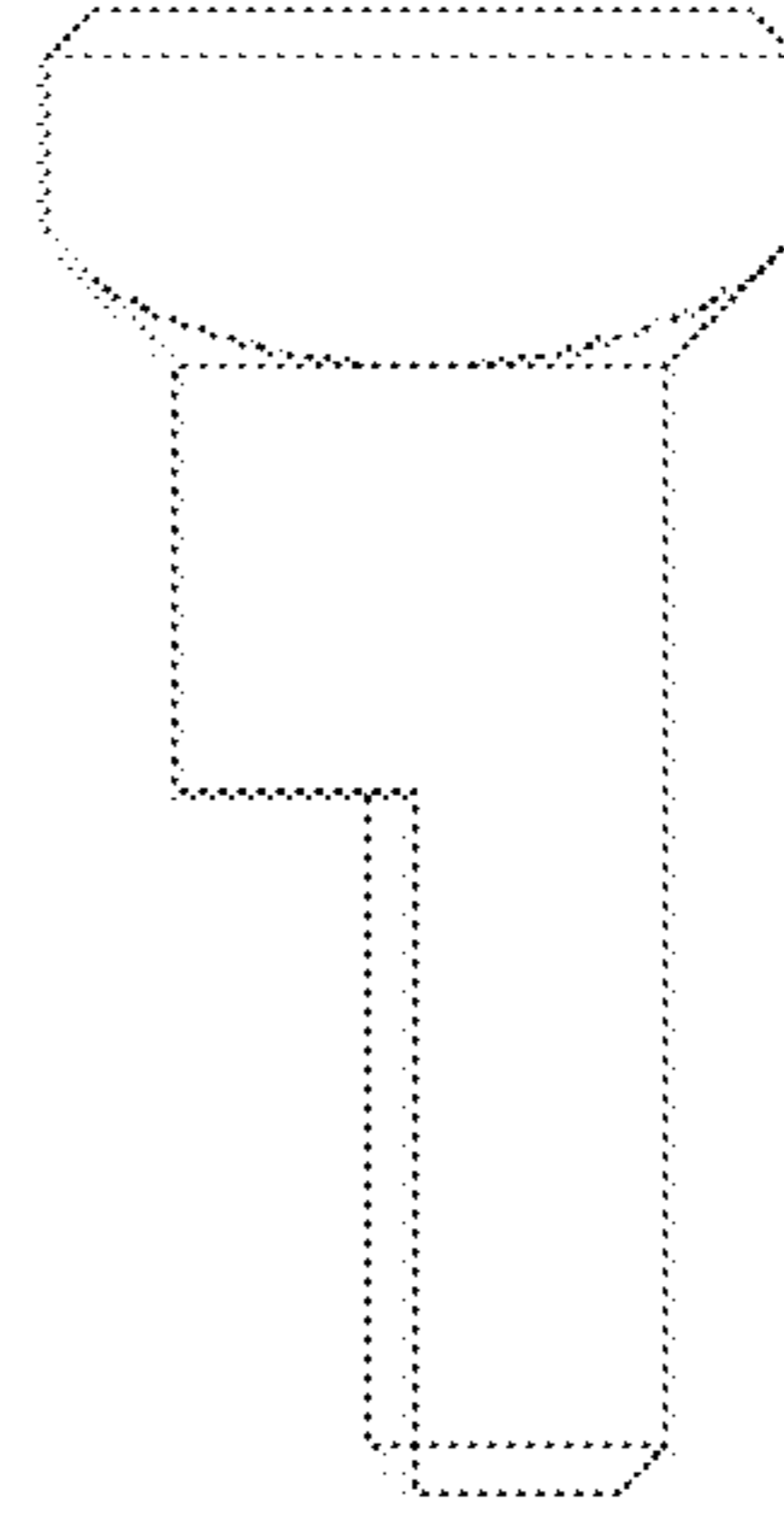


Fig. 12

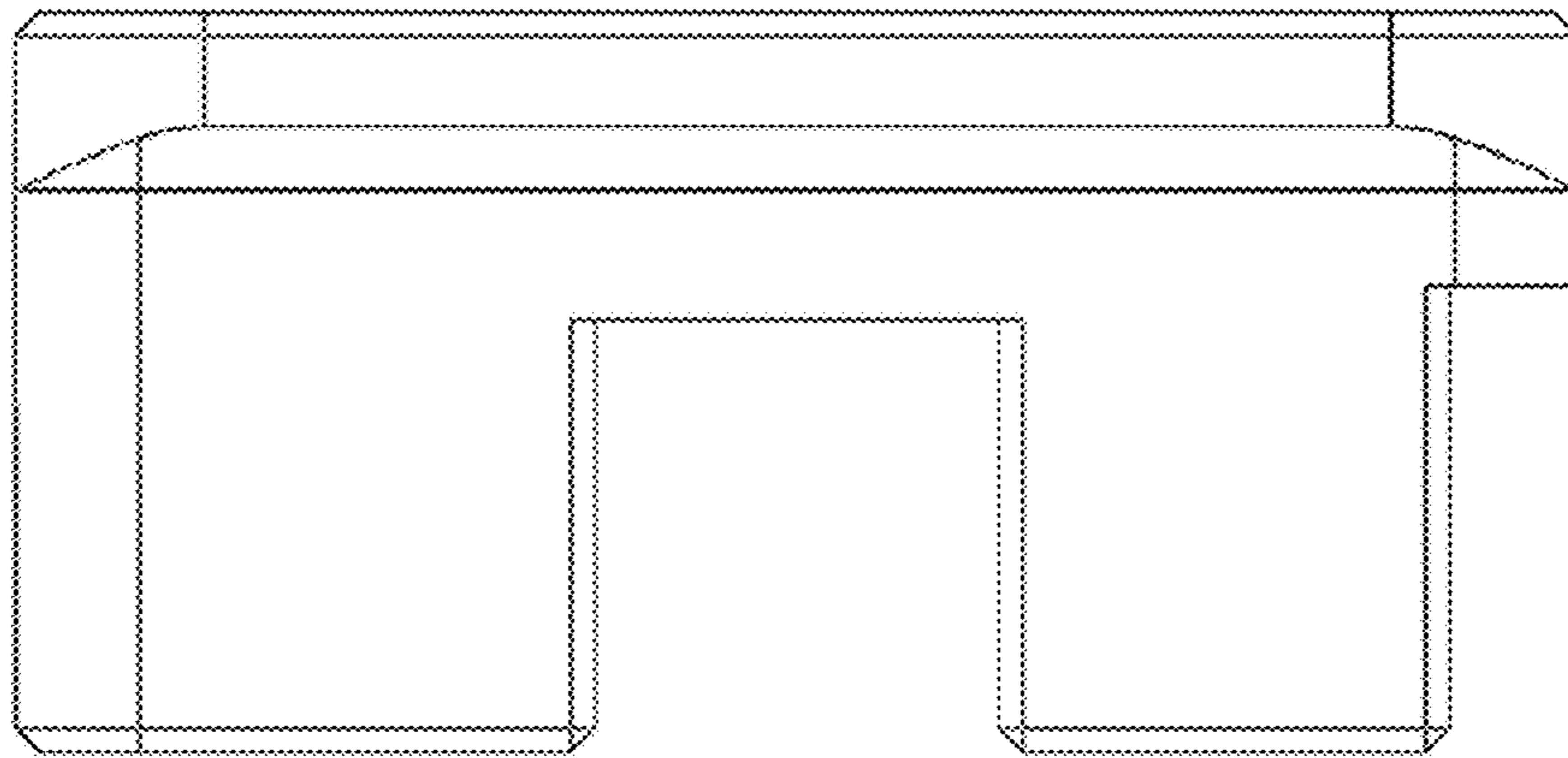


Fig. 13

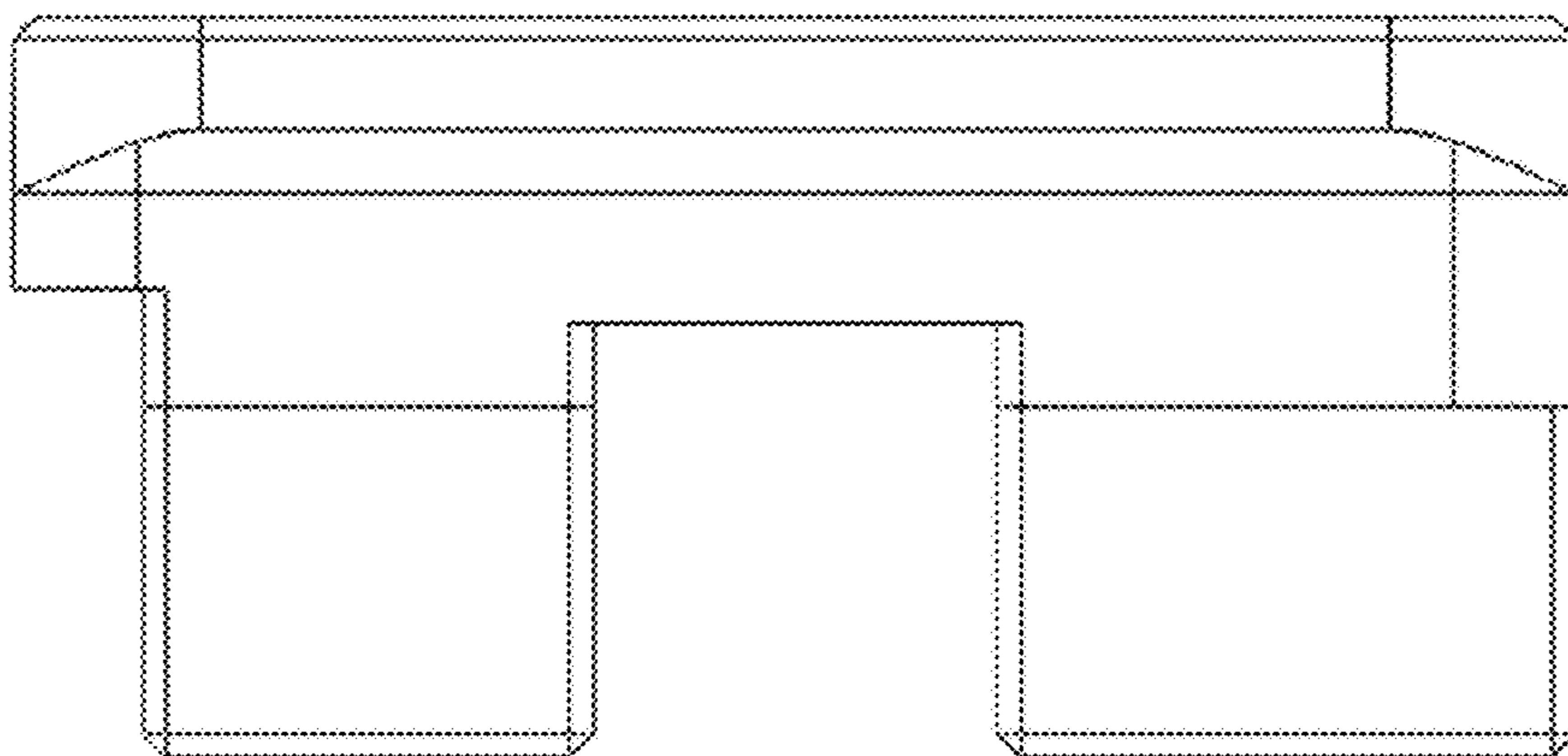


Fig. 14