



US00D822783S

(12) **United States Design Patent** (10) **Patent No.:** **US D822,783 S**  
**Xu** (45) **Date of Patent:** **\*\* Jul. 10, 2018**

(54) **BEACH TENT**  
(71) Applicant: **Shenzhen Congli Electronics Co., Ltd.**, Shenzhen (CN)  
(72) Inventor: **Genhua Xu**, Shenzhen (CN)  
(73) Assignee: **Shenzhen Congli Electronics Co., Ltd.**, Shenzhen (CN)  
(\*\*) Term: **15 Years**  
(21) Appl. No.: **29/616,836**  
(22) Filed: **Sep. 8, 2017**  
(51) **LOC (11) Cl.** ..... **21-04**  
(52) **U.S. Cl.**  
USPC ..... **D21/837**  
(58) **Field of Classification Search**  
USPC ..... D21/834, 837, 839; D25/22, 56, 61;  
52/86, 90.1, 93.1; 125/87, 121, 122, 124,  
125/136, 143, 156, 160, 117  
CPC ..... E04H 15/00; E04H 15/02; E04H 15/18;  
E04H 15/28; E04H 15/32; E04H 15/34;  
E04H 15/40; E04H 15/42; E04H 15/425;  
E04H 15/50  
See application file for complete search history.

(56) **References Cited**  
U.S. PATENT DOCUMENTS  
D261,407 S \* 10/1981 Moss ..... D21/837  
4,646,770 A \* 3/1987 Lobato ..... E04H 15/003  
135/124

D401,983 S \* 12/1998 Lowenthal ..... D21/834  
6,109,281 A \* 8/2000 Lowenthal ..... E04H 15/003  
135/117  
D661,362 S \* 6/2012 Zimmer ..... D21/834  
D721,413 S \* 1/2015 Zimmer ..... D21/837  
D741,437 S \* 10/2015 Zimmer ..... D21/837  
D763,391 S \* 8/2016 Xu ..... D21/837  
D773,579 S \* 12/2016 Shir ..... D21/837  
D775,296 S \* 12/2016 Shir ..... D21/837  
D778,383 S \* 2/2017 Xu ..... D21/837  
D795,980 S \* 8/2017 Xiao ..... D21/834

\* cited by examiner

*Primary Examiner* — Cynthia M Chin

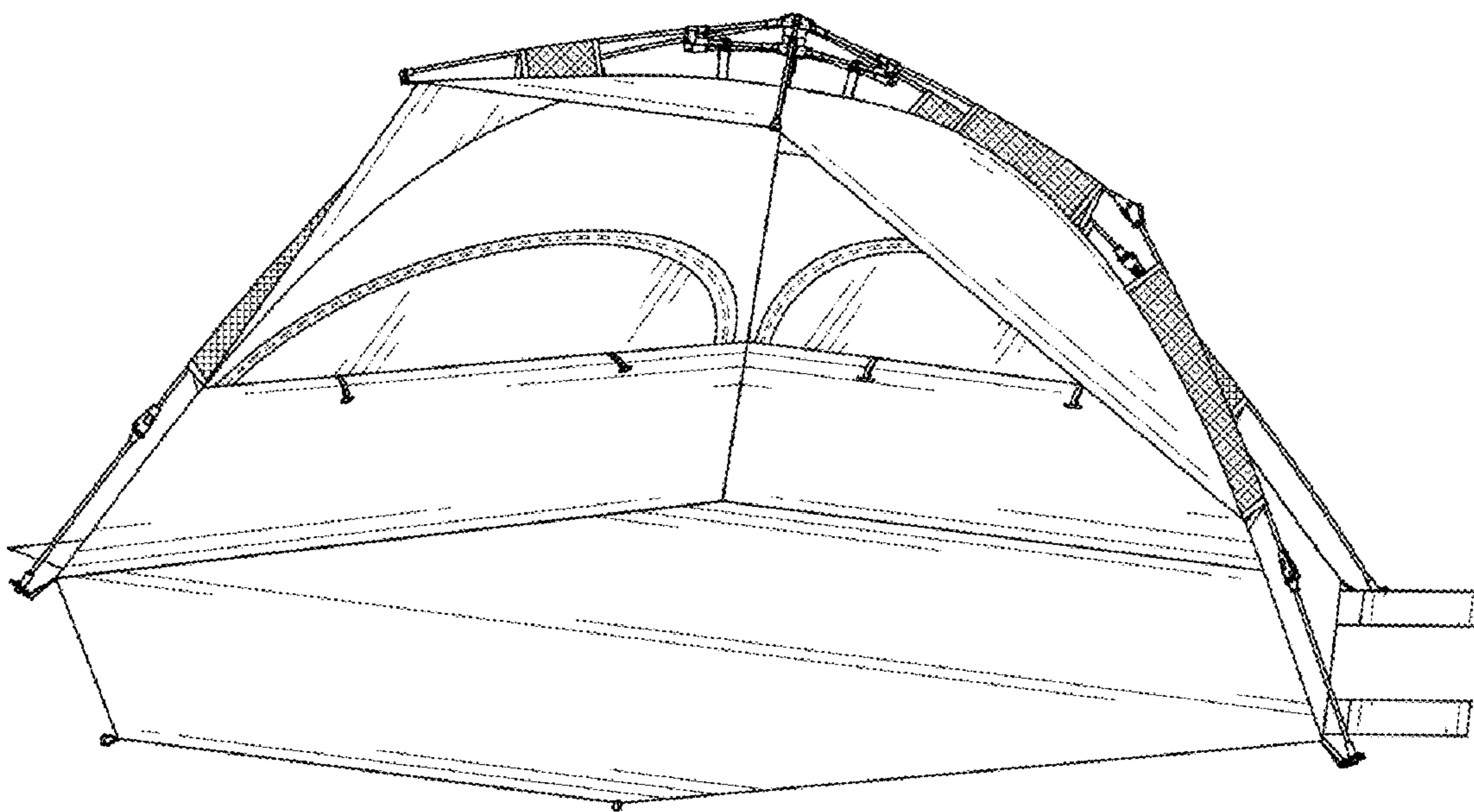
(57) **CLAIM**

The ornamental design for a beach tent, as shown and described.

**DESCRIPTION**

FIG. 1 is a first perspective view of a beach tent showing my new design;  
FIG. 2 is a front elevational view thereof;  
FIG. 3 is a rear elevational view thereof;  
FIG. 4 is a left elevational view thereof;  
FIG. 5 is a right elevational view thereof;  
FIG. 6 is a top plan view thereof;  
FIG. 7 is a bottom plan view thereof; and,  
FIG. 8 is a perspective view showing the beach tent in a state of use.  
The broken lines in the drawings illustrate portions of the beach tent which form no part of the claimed design.

**1 Claim, 8 Drawing Sheets**



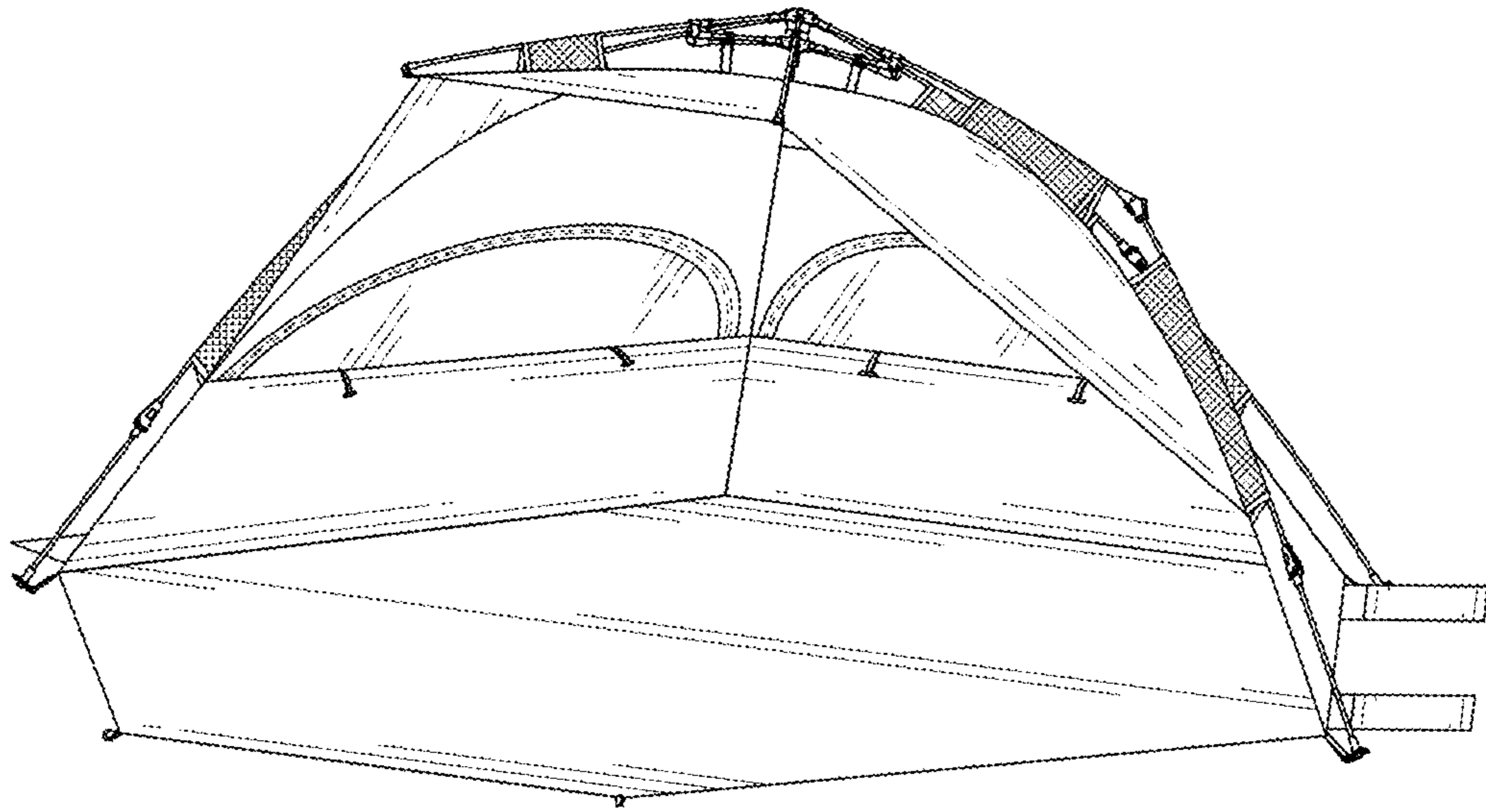


FIG. 1

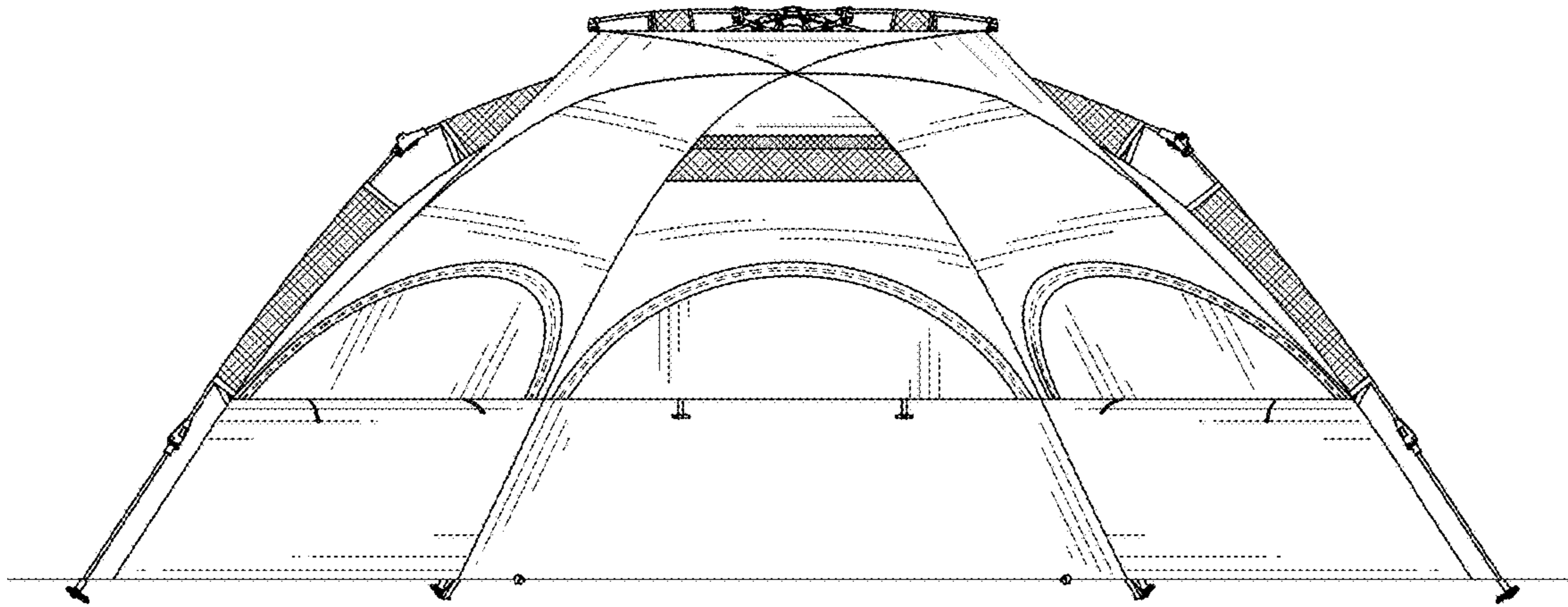


FIG. 2

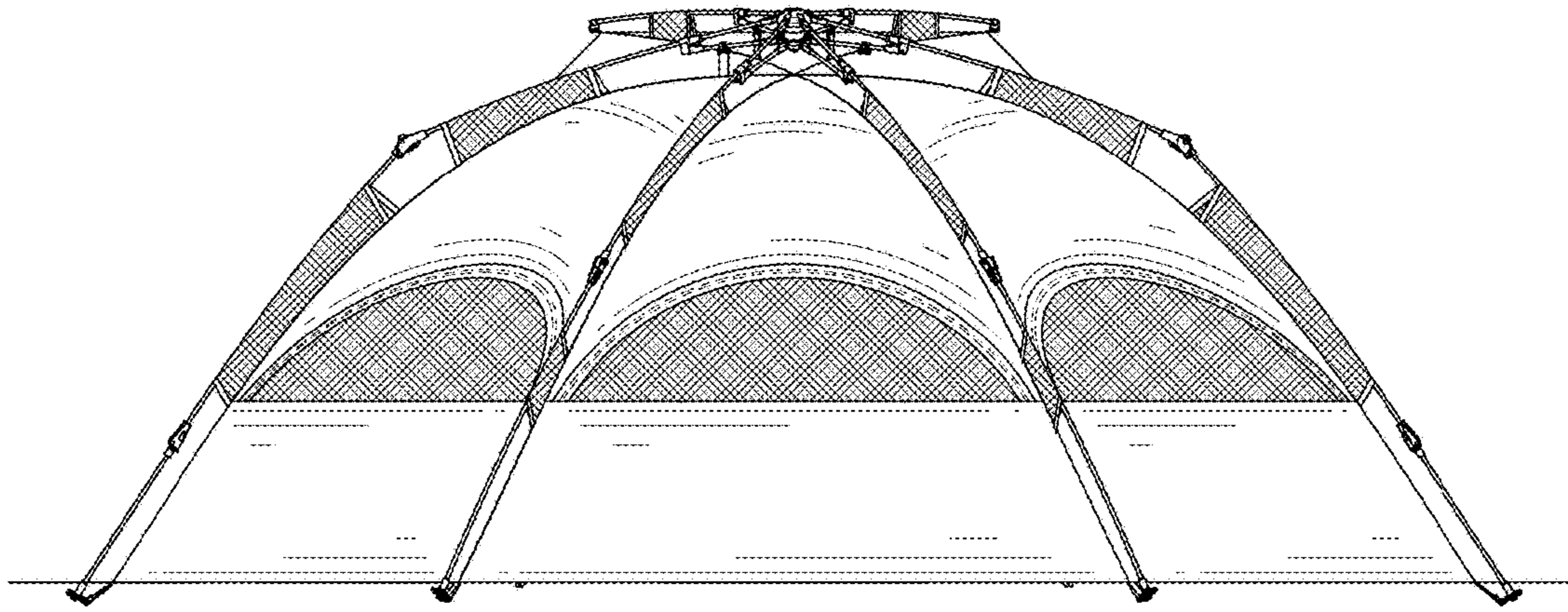


FIG. 3

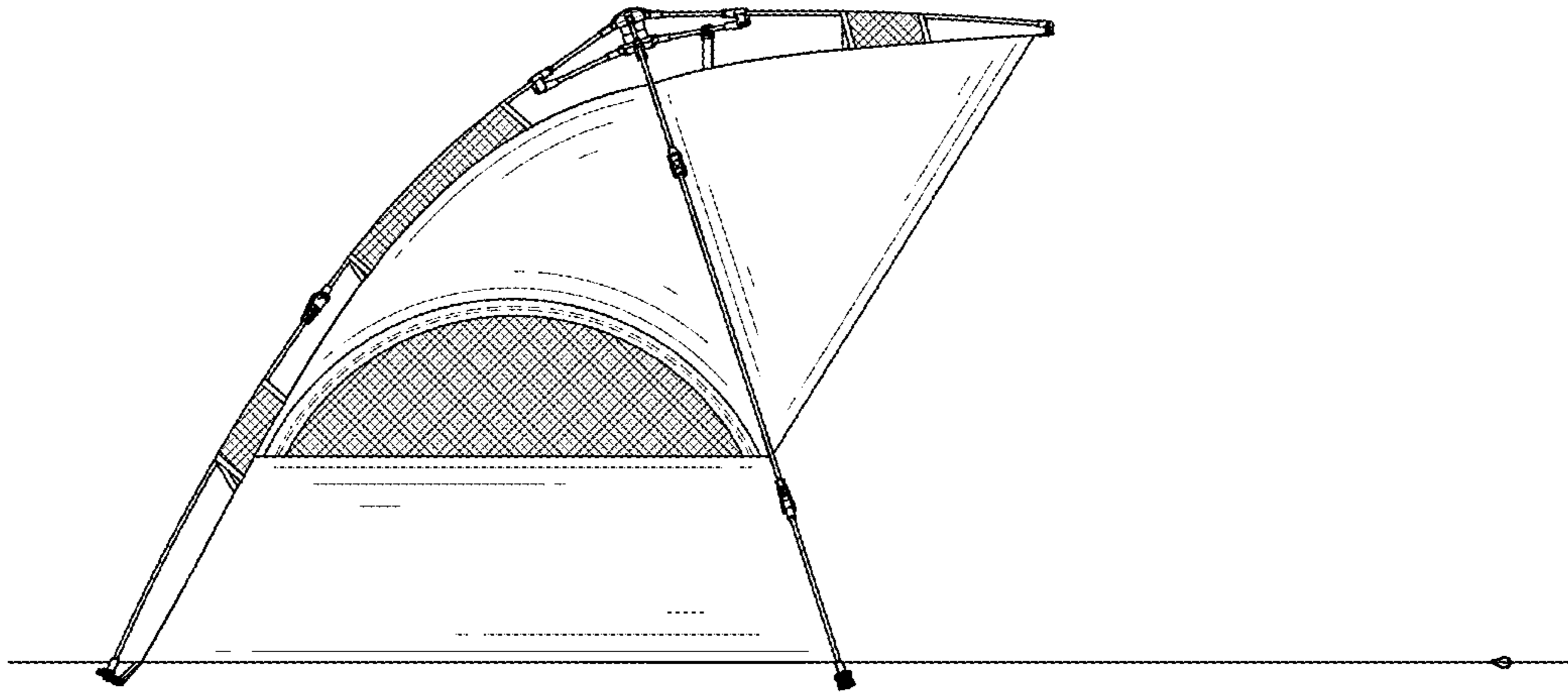


FIG. 4

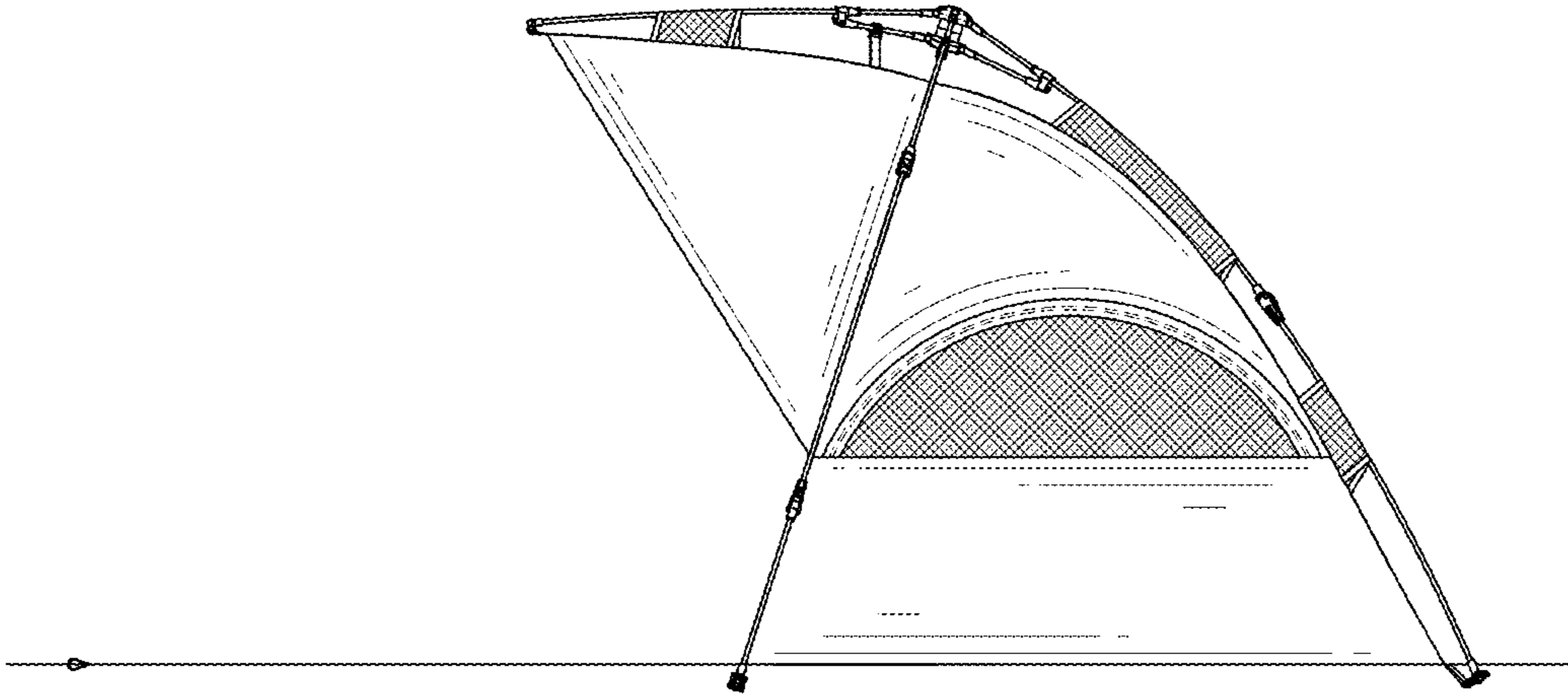


FIG. 5

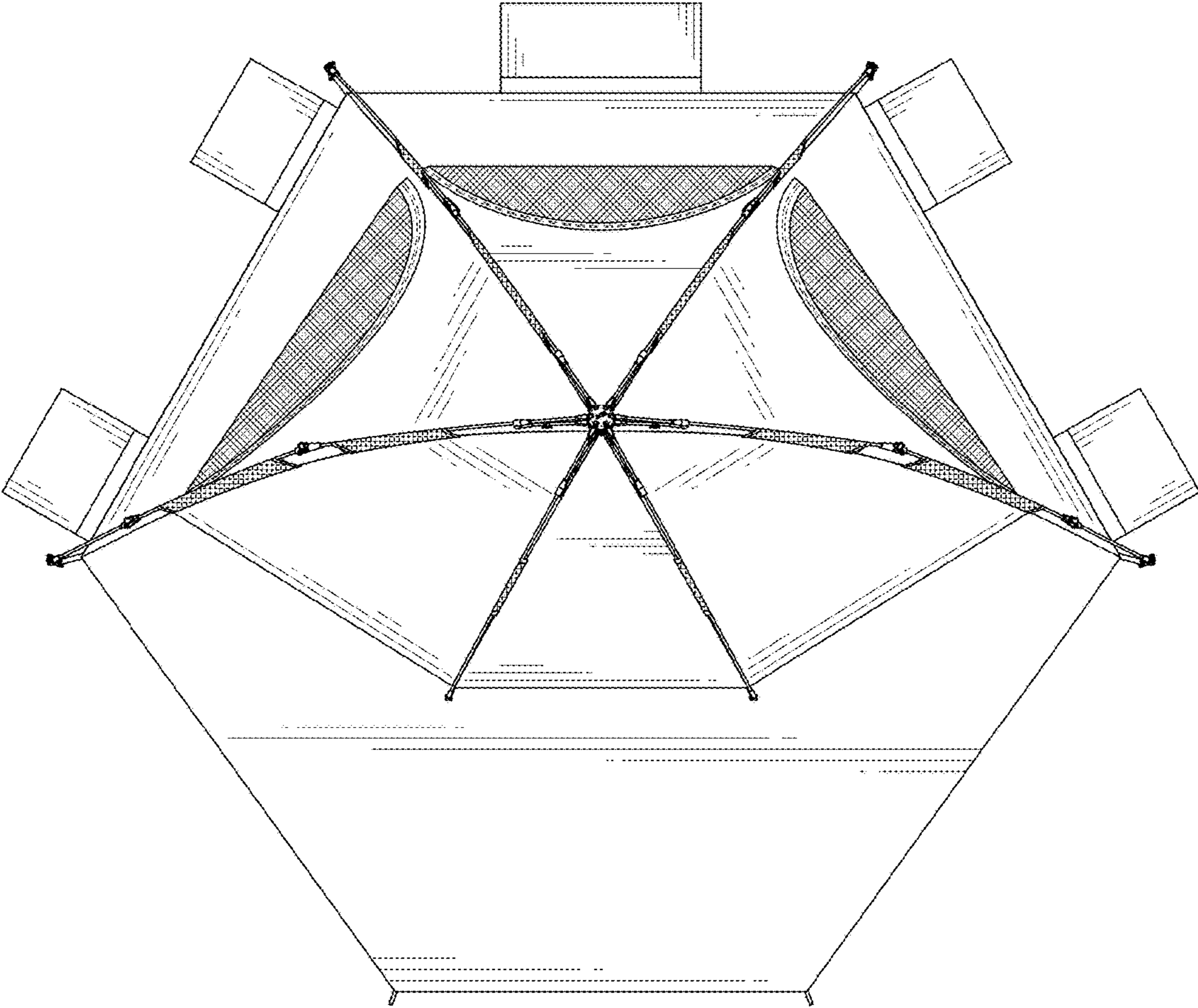


FIG. 6

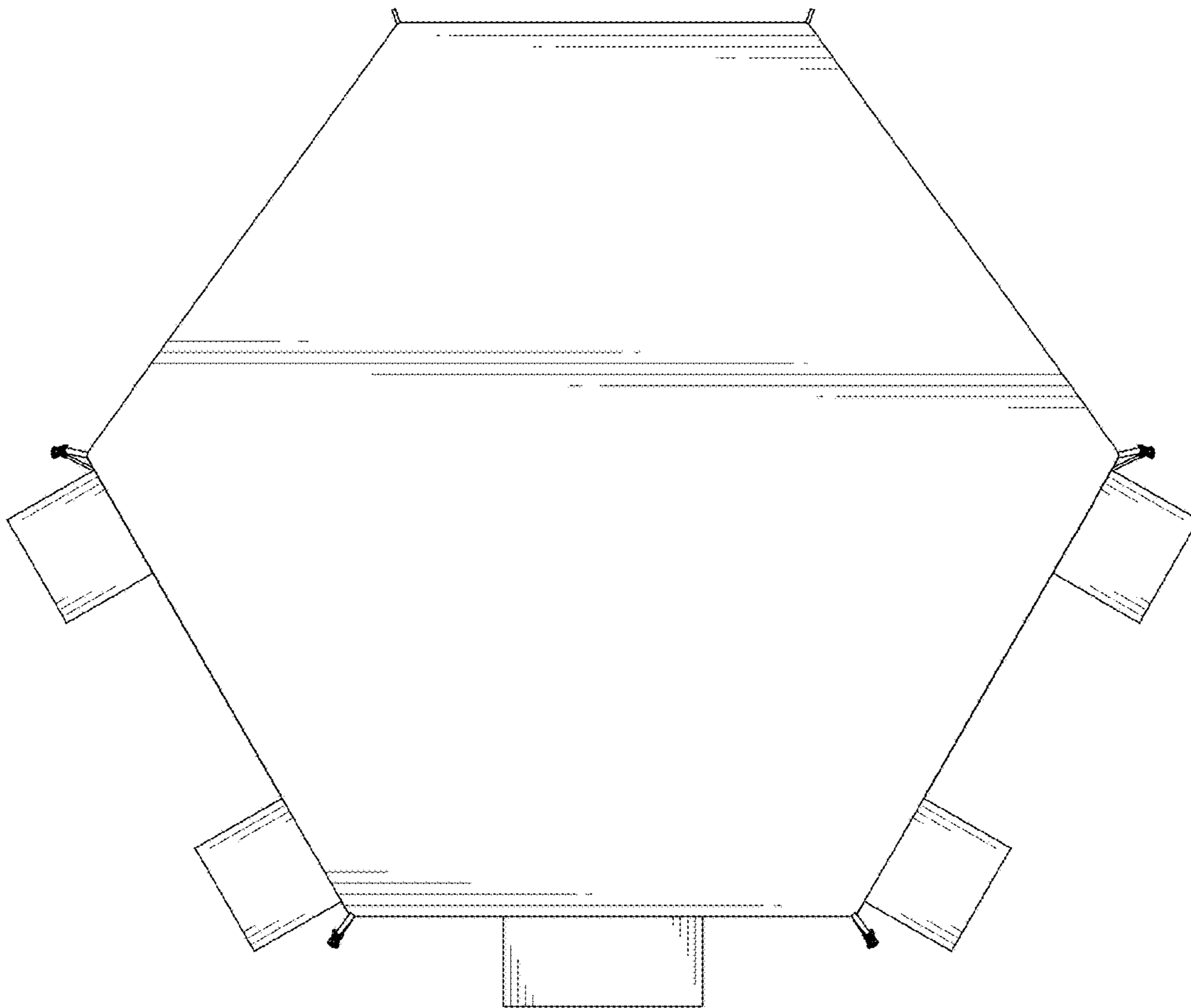


FIG. 7



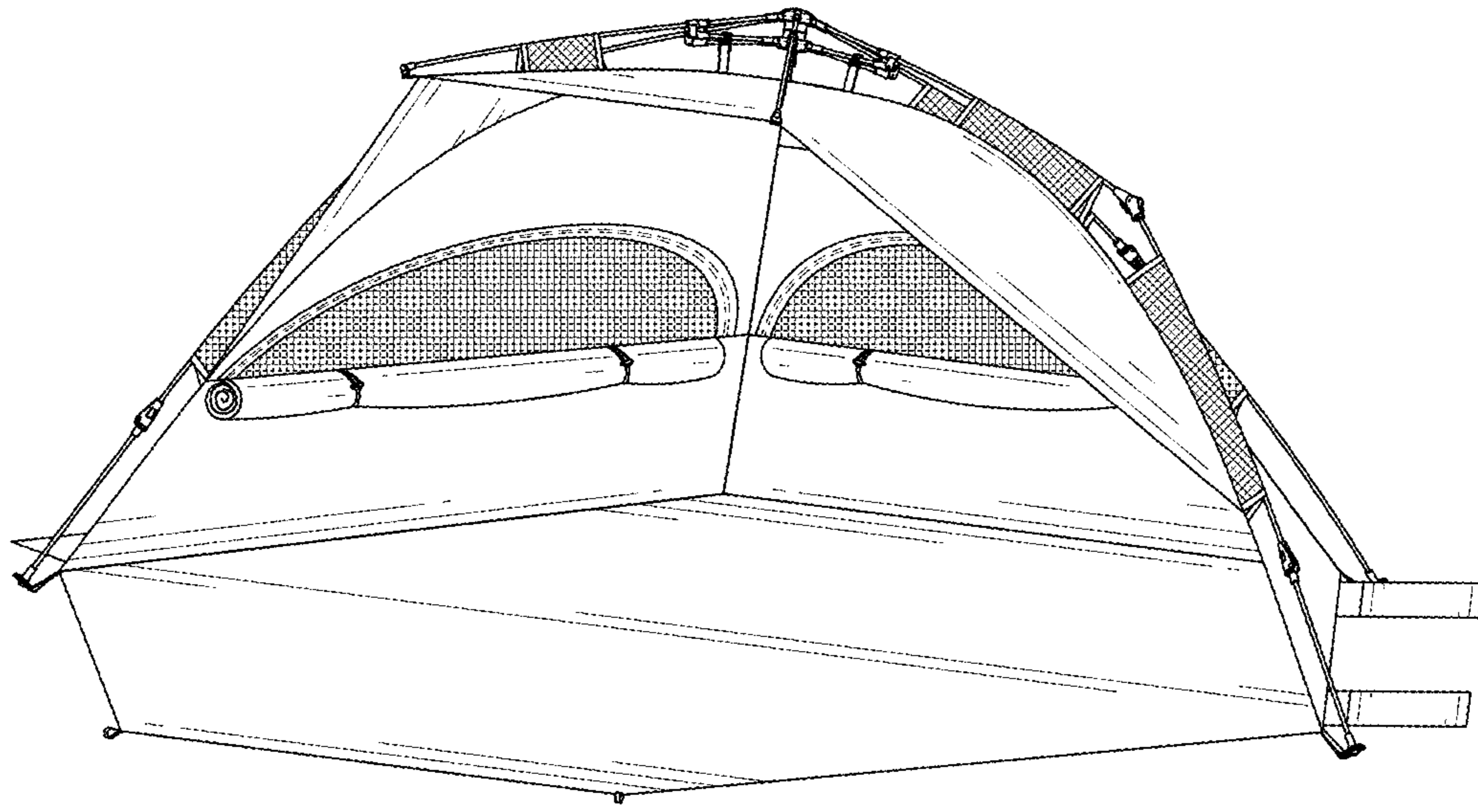


FIG. 8