

US00D822780S

(12) **United States Design Patent**
Fallon

(10) **Patent No.:** **US D822,780 S**
(45) **Date of Patent:** **** Jul. 10, 2018**

- (54) **DIVOT REPAIR TOOL**
- (71) Applicant: **Sandgroup International Ltd.**, Hong Kong (HK)
- (72) Inventor: **Conor Fallon**, County Kildare (IE)
- (73) Assignee: **Sandgroup International Ltd.**, Kwai Chung (HK)
- (**) Term: **15 Years**
- (21) Appl. No.: **29/602,006**
- (22) Filed: **Apr. 27, 2017**
- (51) **LOC (11) Cl.** **21-02**
- (52) **U.S. Cl.**
USPC **D21/793; D8/330; D8/343**
- (58) **Field of Classification Search**
USPC D21/789, 793; D8/105, 106, 339, 331, D8/343, 349; 30/161, 155; 473/286, 473/408; 7/118; 131/248-255
CPC A63B 57/50; A63B 57/207; A63B 57/353; A63B 57/0068; A63B 57/0075
See application file for complete search history.

D399,597 S	10/1998	Craven	
D401,379 S	11/1998	Goldoftas	
6,030,298 A	2/2000	Tate	
6,050,905 A	4/2000	Tate	
D424,151 S	5/2000	Miura	
6,224,502 B1	5/2001	Warfield	
6,244,356 B1	6/2001	Luna	
6,413,174 B1	7/2002	Roberts	
6,428,430 B1	8/2002	Chong	
6,837,807 B1	1/2005	Kerr	
D513,632 S	1/2006	Sokolowski	
D534,982 S	1/2007	Miller	
D553,705 S	10/2007	Barouh	
7,527,563 B1	5/2009	Neu	
7,621,819 B1	11/2009	Neu	
D669,952 S *	10/2012	Zwart	D21/793
D673,352 S *	1/2013	Robinson	D2/876
D699,804 S *	2/2014	Zwart	D21/793
D700,262 S *	2/2014	Zwart	D21/793
D700,263 S *	2/2014	Zwart	D21/793

(Continued)

Primary Examiner — Prabhakar G Deshmukh
(74) *Attorney, Agent, or Firm* — Jason T. Daniel, Esq.; Daniel Law Offices, P.A.

(57) **CLAIM**

The ornamental design for a divot repair tool, as shown and described.

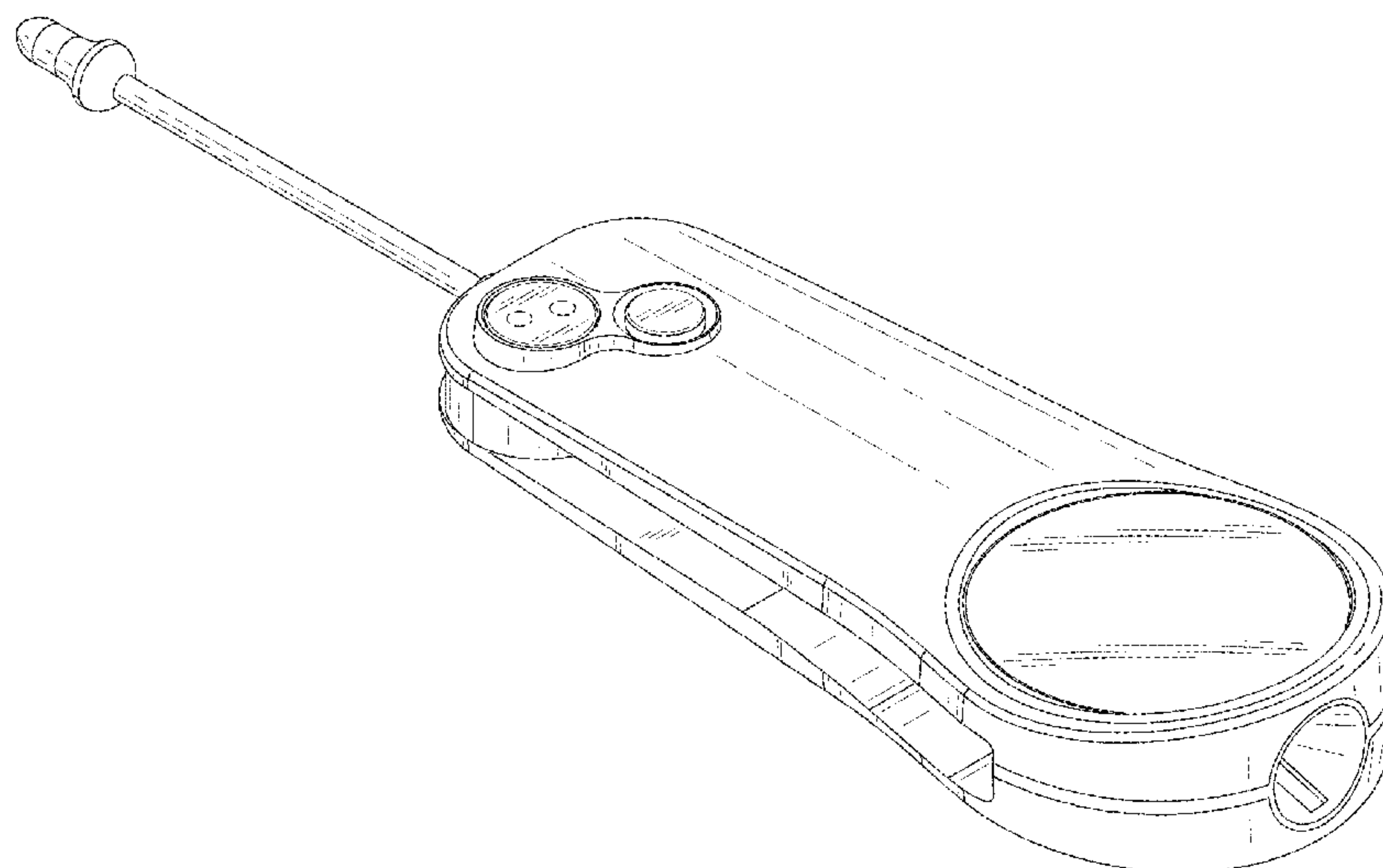
DESCRIPTION

FIG. 1 is a front perspective view of a divot repair tool showing my new design in a closed position, FIG. 2 is a front side elevational view thereof, FIG. 3 is a back side elevational view thereof, FIG. 4 is a left side elevational view thereof, FIG. 5 is a right side elevational view thereof, FIG. 6 is a bottom side elevational view thereof, FIG. 7 is a top side elevational view thereof; and, FIG. 8 is a front perspective view thereof in an open position.

1 Claim, 4 Drawing Sheets

(56) **References Cited**
U.S. PATENT DOCUMENTS

3,415,518 A	12/1968	Root
3,539,017 A	11/1970	Johnson
3,763,515 A	10/1973	Voss
4,925,190 A	5/1990	Learned
4,984,790 A	1/1991	Dowdy
5,022,650 A	6/1991	Madock
5,211,395 A	5/1993	Liao
5,226,647 A	7/1993	Notarmuzi
5,277,425 A	1/1994	Petriano, Sr.
5,305,999 A	4/1994	Tate
5,449,169 A	9/1995	Hardin
D375,815 S	11/1996	Kagasoff
D391,318 S	2/1998	Shah



(56)

References Cited

U.S. PATENT DOCUMENTS

D719,232	S	12/2014	Wallander
8,920,265	B1	12/2014	Jones
9,168,440	B1 *	10/2015	Dean A63B 71/0669
9,174,333	B2 *	11/2015	Rubin B25F 1/04
9,381,412	B2	7/2016	Fallon
9,474,333	B2 *	10/2016	Iannello A44B 11/2592
9,474,950	B1 *	10/2016	McDowell A63B 57/50
9,539,480	B1 *	1/2017	Boswell A63B 57/0037
9,669,276	B1 *	6/2017	Maloy A63B 57/50
2002/0183138	A1	12/2002	Malcolm
2004/0219997	A1	11/2004	Champion
2005/0070380	A1	3/2005	Miller
2006/0247075	A1	11/2006	Dymling
2007/0298900	A1	12/2007	Johnson
2008/0135444	A1	6/2008	Malcolm
2008/0268985	A1	10/2008	Wiens
2009/0098952	A1	4/2009	Leiber
2010/0022330	A1	1/2010	Rouke
2010/0099519	A1	4/2010	Leiber
2011/0081994	A1	4/2011	Rouke
2016/0121179	A1	5/2016	Zwart
2016/0193513	A1	7/2016	Fallon

* cited by examiner

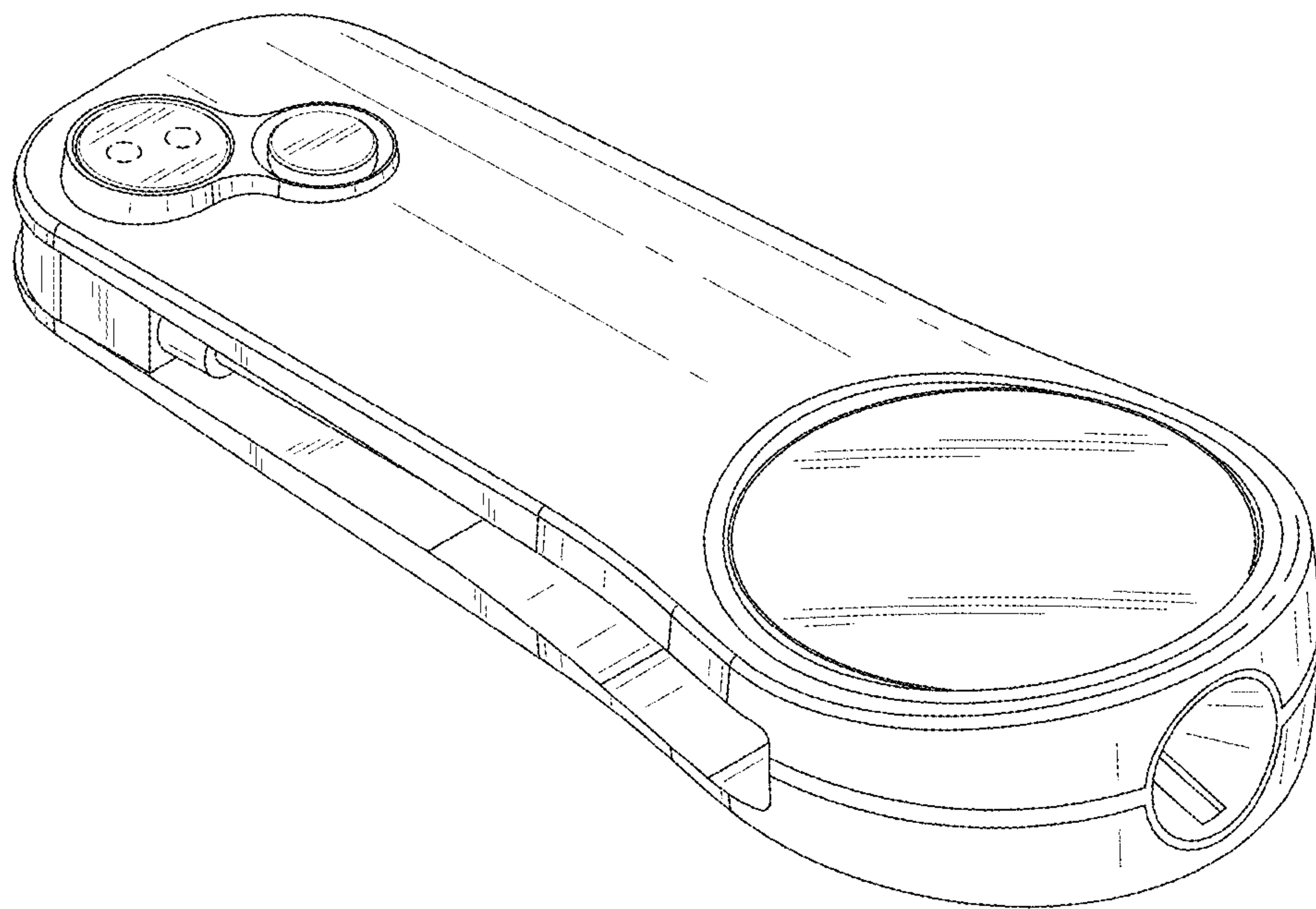


FIG. 1

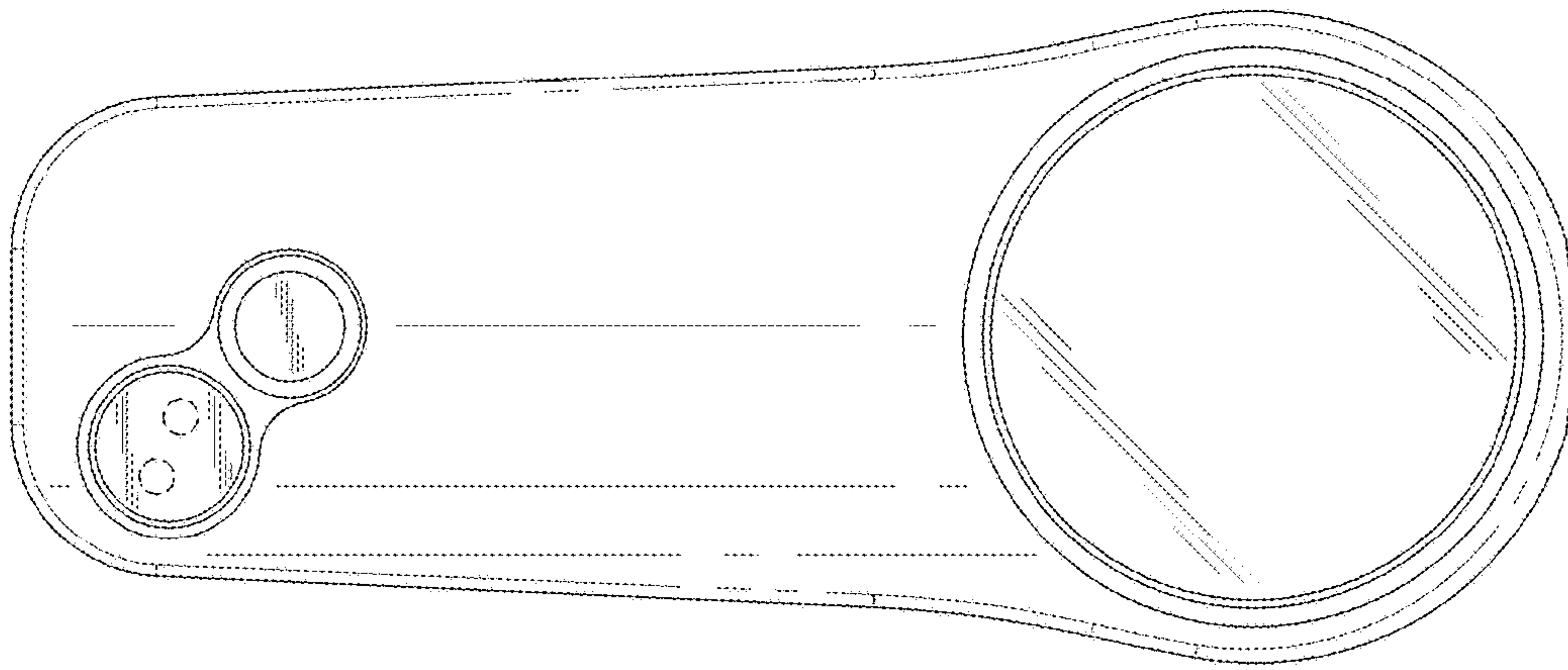


FIG. 2

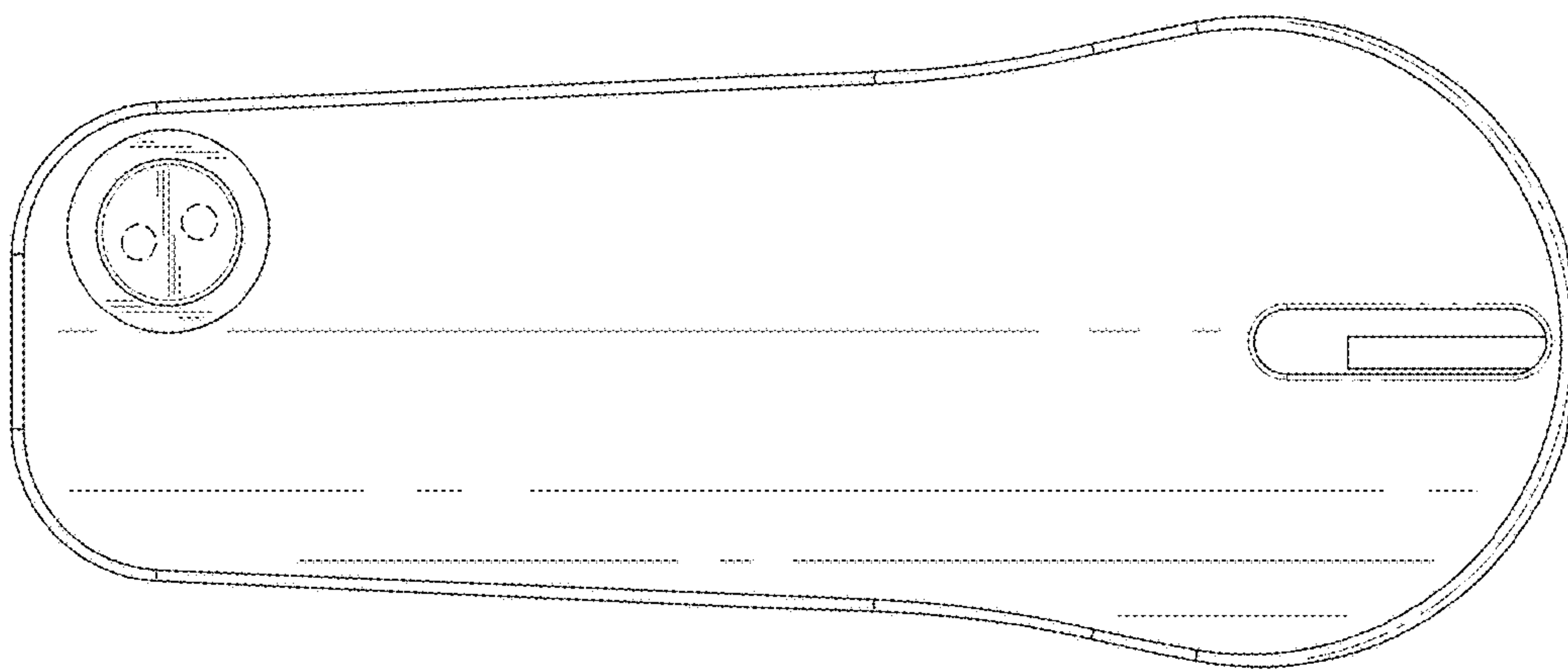


FIG. 3

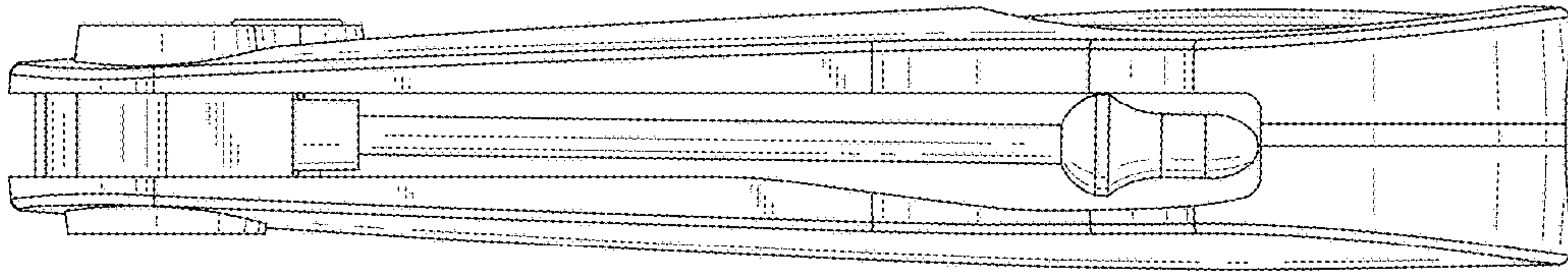


FIG. 4

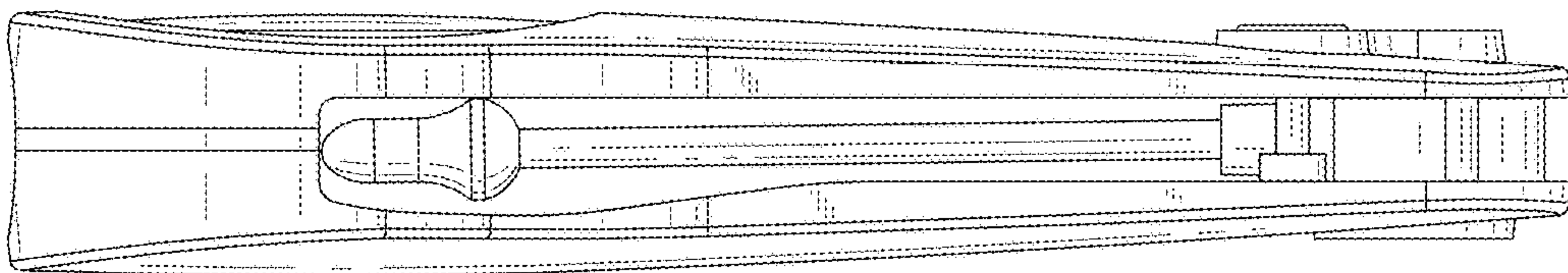


FIG. 5

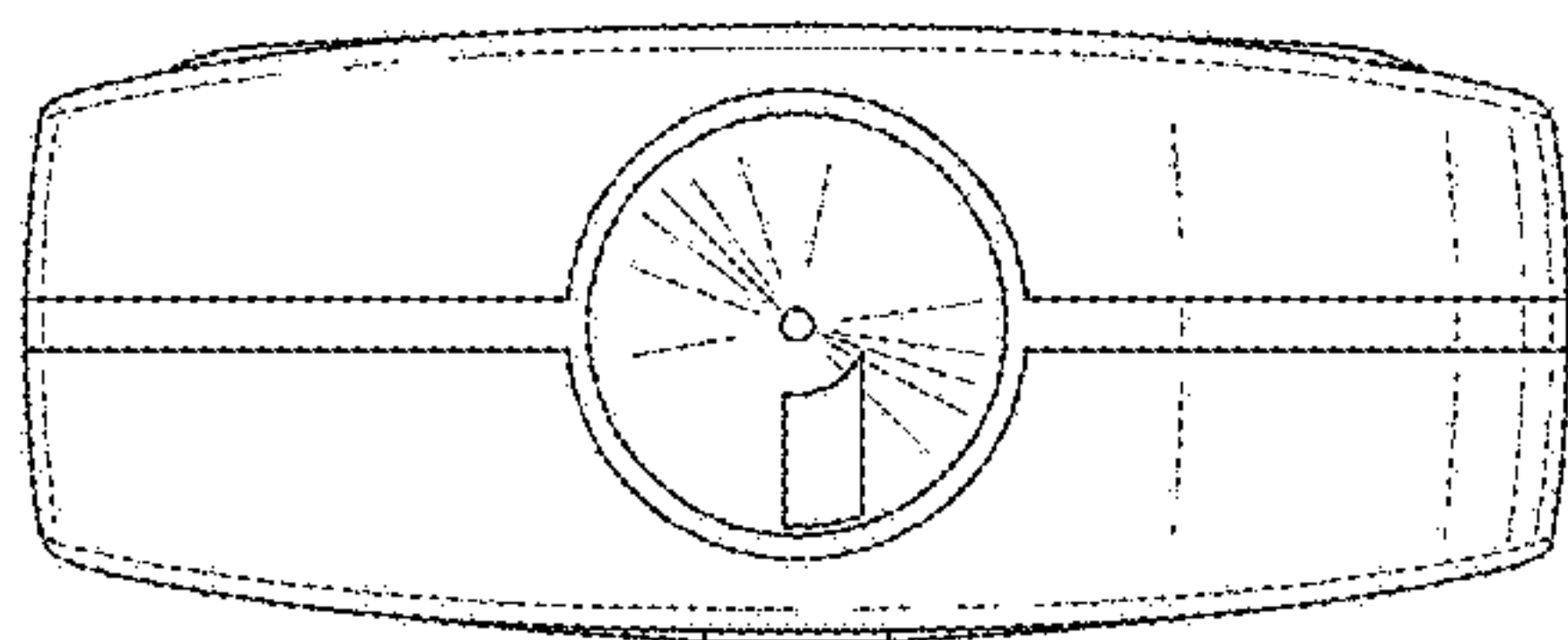


FIG. 6

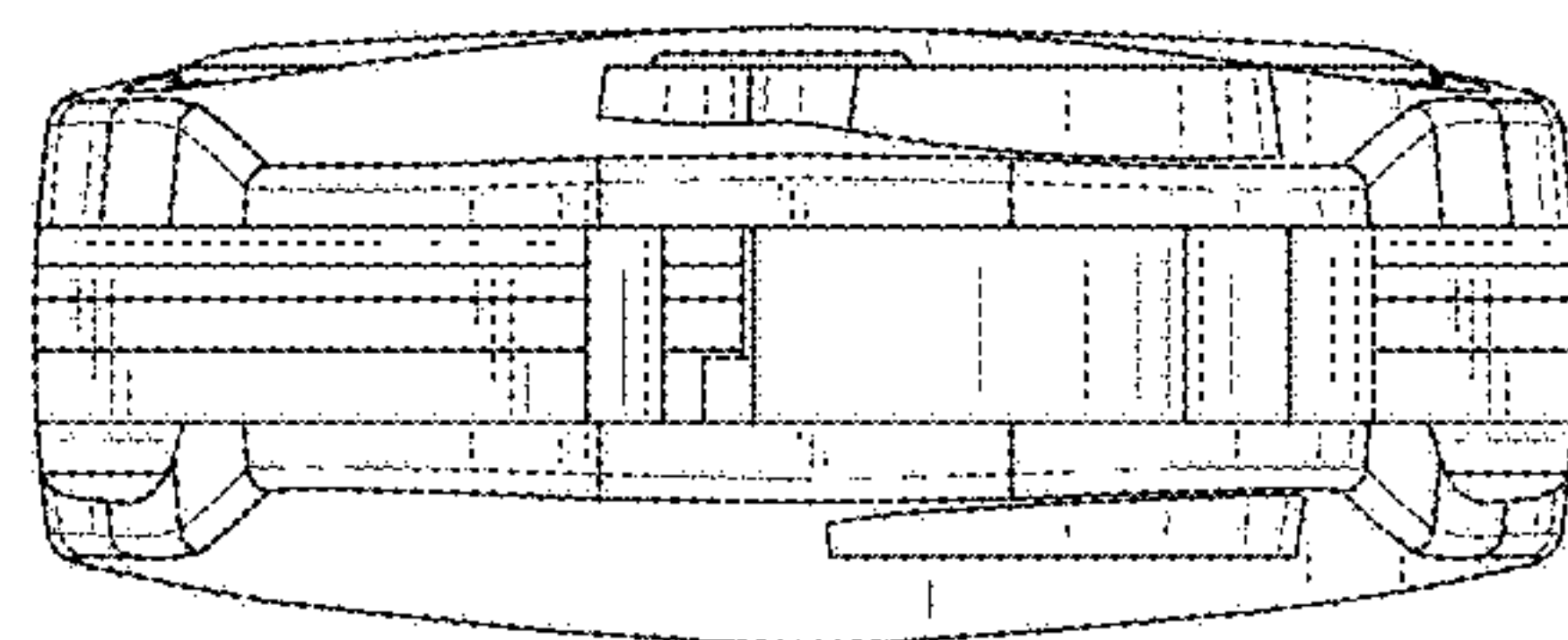


FIG. 7

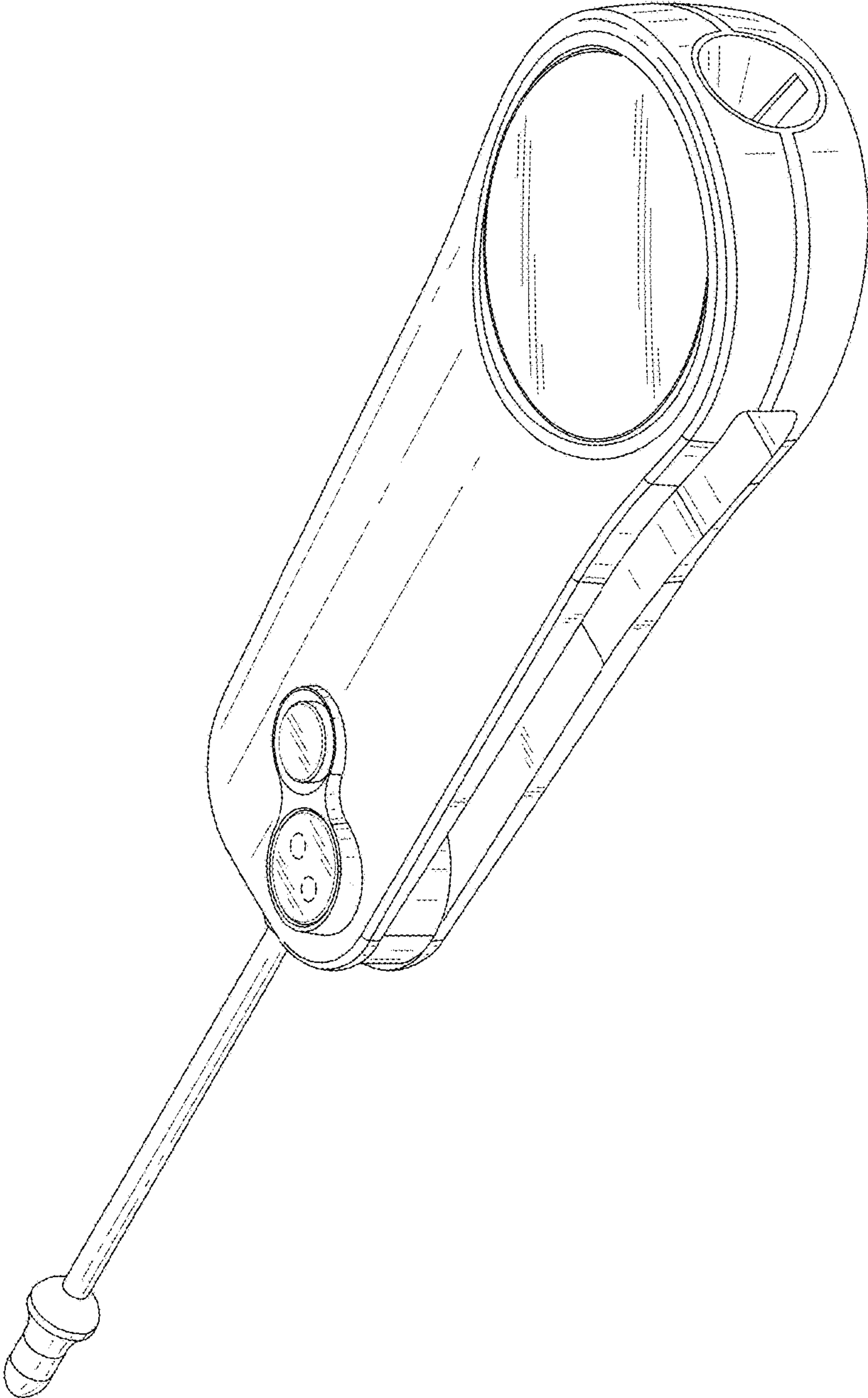


FIG. 8