



US00D822778S

(12) **United States Design Patent**
Strange

(10) **Patent No.:** **US D822,778 S**
(45) **Date of Patent:** **** *Jul. 10, 2018**

(54) **STANDUP PADDLE BOARD**

(71) Applicant: **Soren Strange**, London (GB)

(72) Inventor: **Soren Strange**, London (GB)

(*) Notice: This patent is subject to a terminal disclaimer.

(**) Term: **15 Years**

(21) Appl. No.: **35/501,210**

(22) Filed: **Jan. 15, 2016**

(80) **Hague Agreement Data**

Int. Filing Date: **Jan. 15, 2016**

Int. Reg. No.: **DM/090596**

Int. Reg. Date: **Jan. 15, 2016**

Int. Reg. Pub. Date: **Jul. 15, 2016**

(51) **LOC (11) Cl.** **21-02**

(52) **U.S. Cl.**
USPC **D21/769**

(58) **Field of Classification Search**
USPC **D21/769**
CPC **B63B 35/79; B63B 35/906**

See application file for complete search history.

(56) **References Cited**

U.S. PATENT DOCUMENTS

D637,251 S * 5/2011 Bradley D21/769
8,834,220 B2 * 9/2014 Haller B63B 35/79
114/140
9,248,889 B2 * 2/2016 Brouwer B63B 35/7906
9,334,032 B2 * 5/2016 Yuchasz B63B 35/7906

* cited by examiner

Primary Examiner — George D Kirschbaum

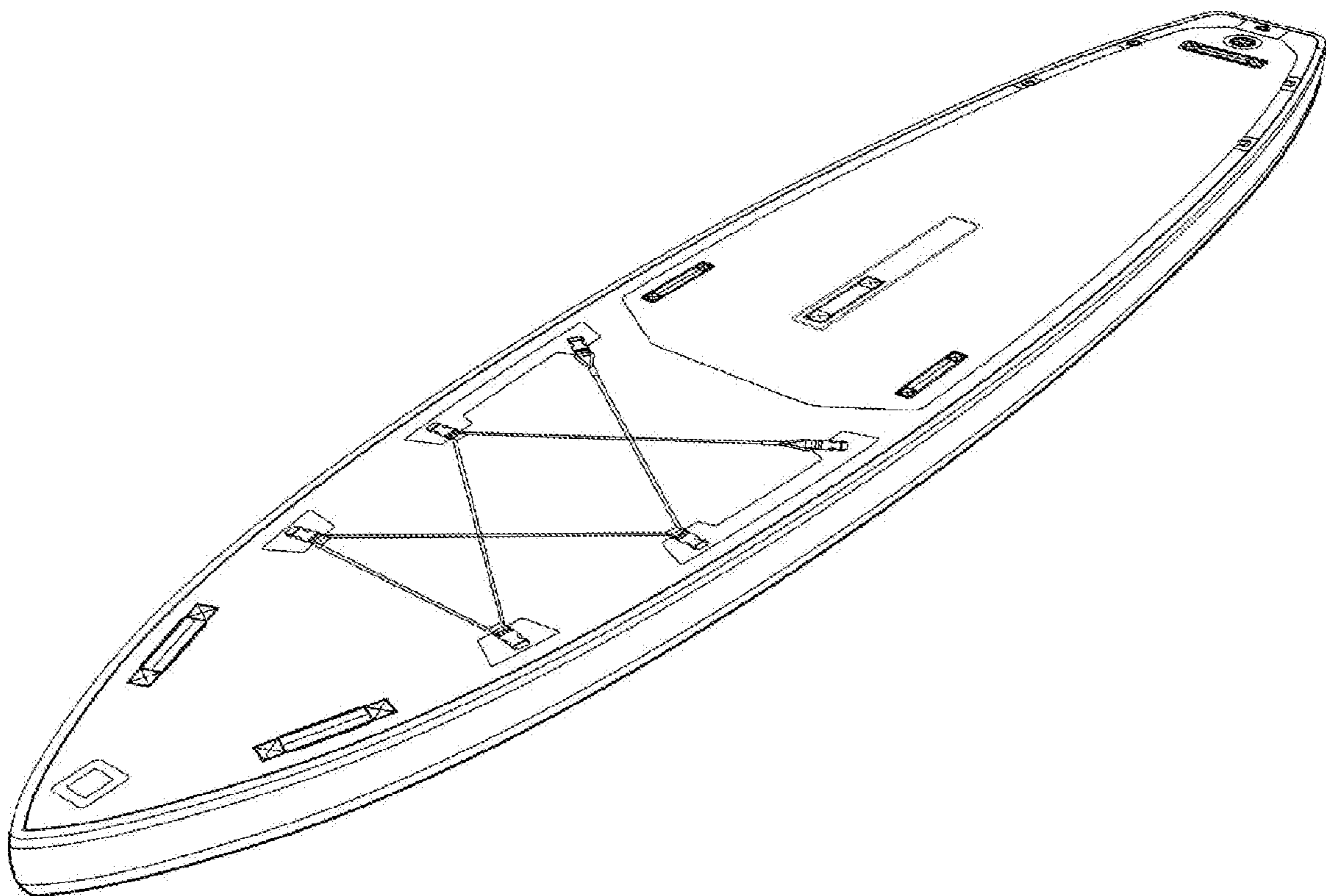
(57) **CLAIM**

The ornamental design for a stand-up paddle board, as shown and described.

DESCRIPTION

- 1. Stand-up paddle board
- 1.1 : Perspective
- 1.2 : Front
- 1.3 : Back
- 1.4 : Top
- 1.5 : Bottom
- 1.6 : Left
- 1.7 : Right

1 Claim, 7 Drawing Sheets



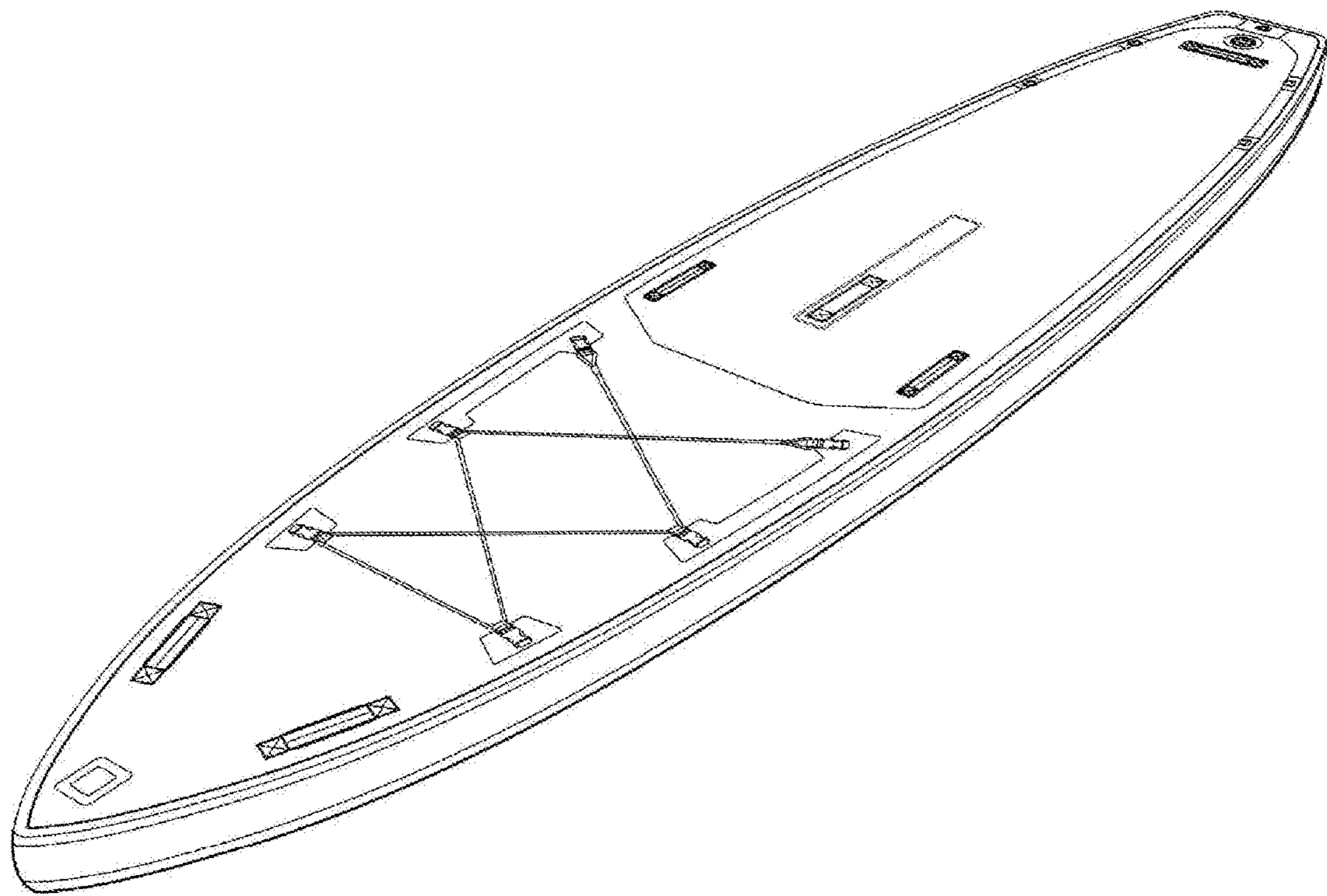


FIG. 1.1

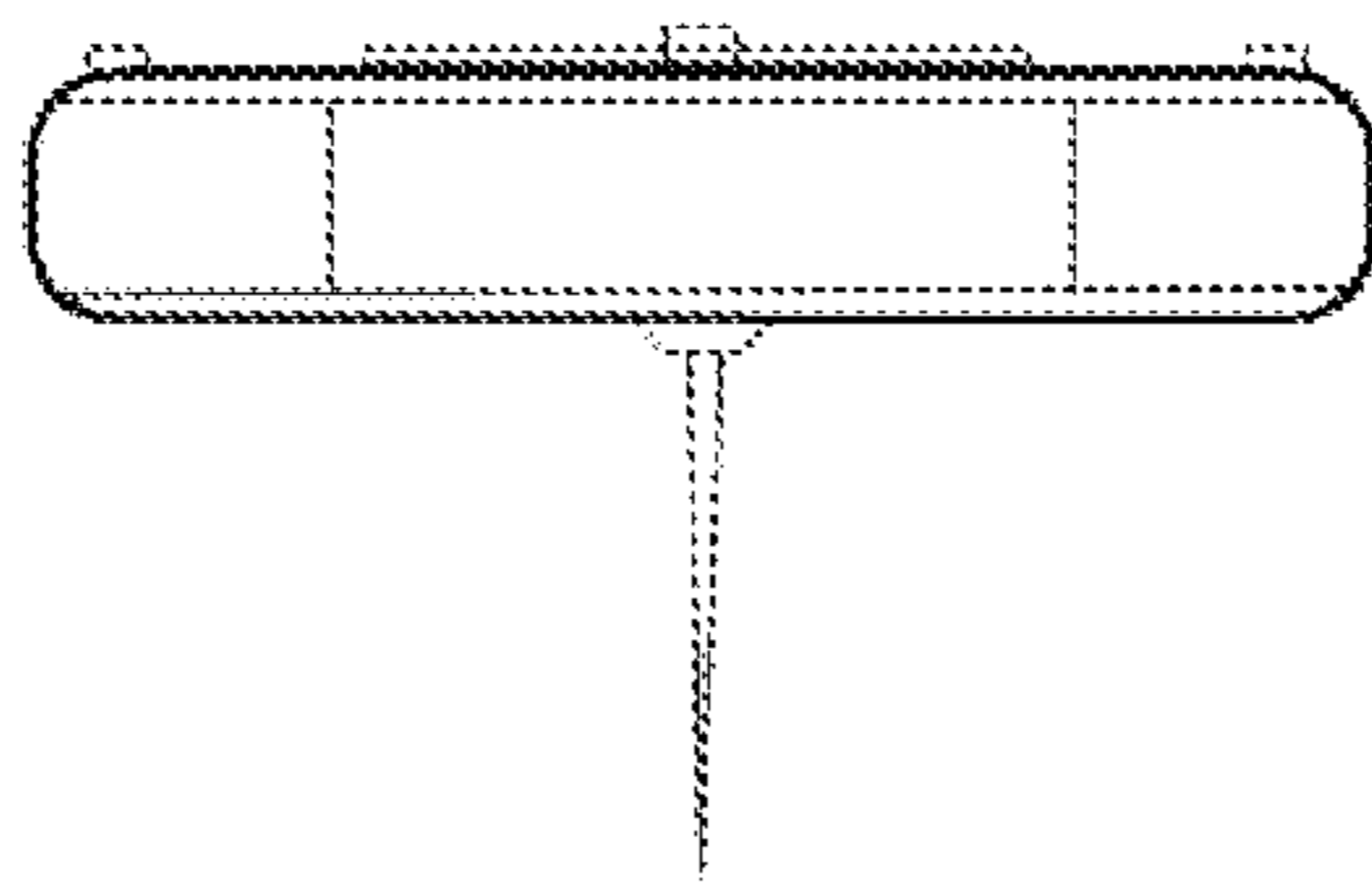


FIG. 1.2

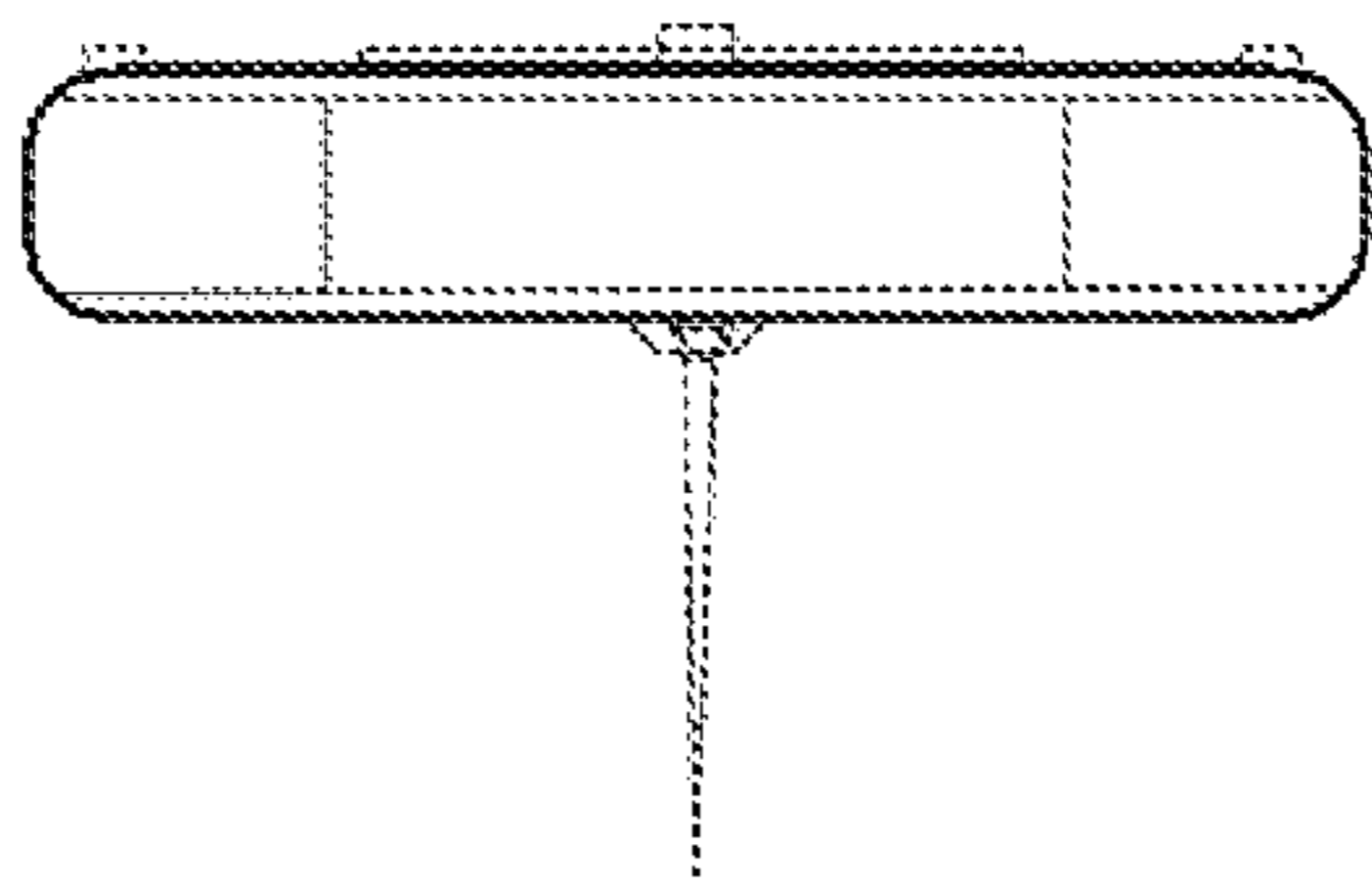


FIG. 1.3

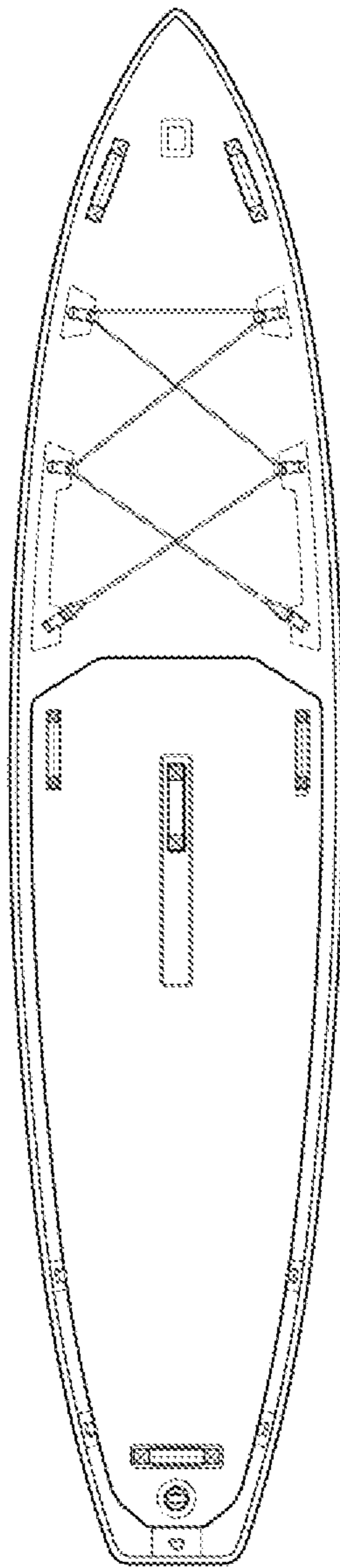


FIG. 1.4

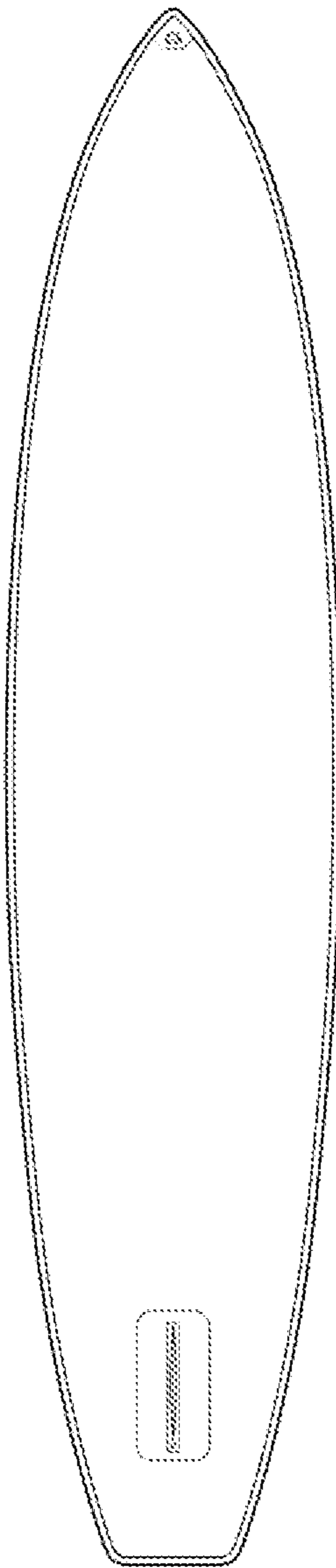


FIG. 1.5

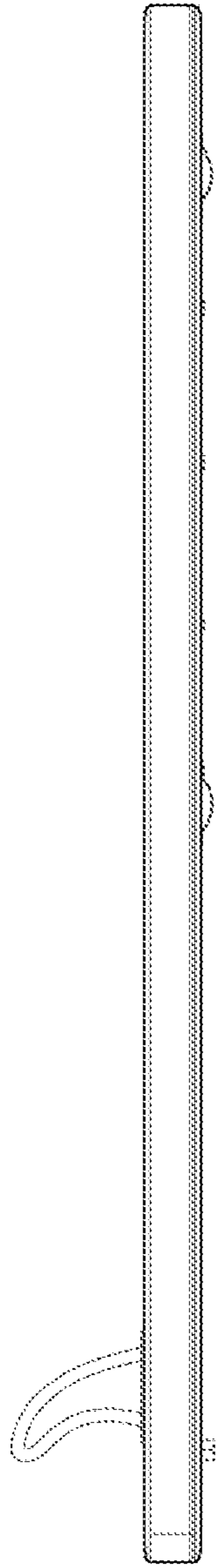


FIG. 1.6

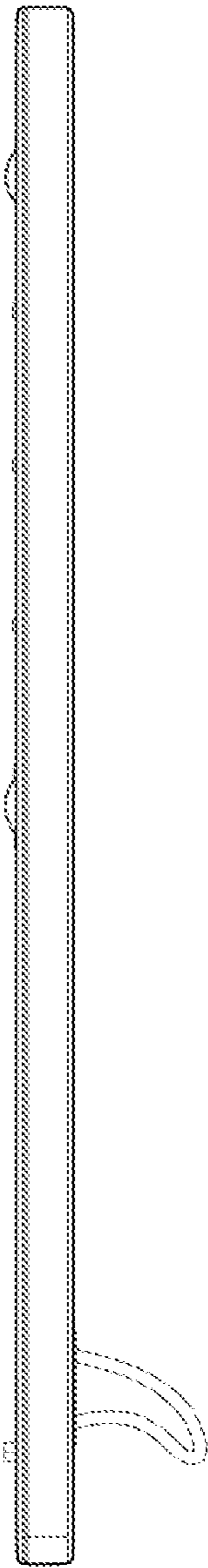


FIG. 1.7