



US00D822776S

(12) **United States Design Patent**
Issertell et al.

(10) **Patent No.:** **US D822,776 S**

(45) **Date of Patent:** **** Jul. 10, 2018**

(54) **IRON GOLF CLUB HEAD**

(71) Applicant: **Taylor Made Golf Company, Inc.**,
Carlsbad, CA (US)

(72) Inventors: **Jason W. Issertell**, Carlsbad, CA (US);
Scott Taylor, Bonita, CA (US)

(73) Assignee: **Taylor Made Golf Company, Inc.**,
Carlsbad, CA (US)

(**) Term: **15 Years**

(21) Appl. No.: **29/600,735**

(22) Filed: **Apr. 14, 2017**

(51) **LOC (11) Cl.** **21-02**

(52) **U.S. Cl.**
USPC **D21/747**

(58) **Field of Classification Search**
USPC D21/747-751, 759
CPC A63B 53/00; A63B 53/02; A63B 53/04;
A63B 53/047; A63B 53/0475; A63B
2053/0479; A63B 2053/0483; A63B
2053/0445; A63B 60/00; A63B 60/46
See application file for complete search history.

(56) **References Cited**

U.S. PATENT DOCUMENTS

D389,540 S *	1/1998	Mendenhall	D21/750
5,879,242 A *	3/1999	Mendenhall	A63B 53/04 473/328
D442,246 S	5/2001	McCabe et al.		
D444,195 S	6/2001	Wahl et al.		
D445,157 S	7/2001	Jones et al.		
D468,382 S	1/2003	Wahl et al.		
D476,708 S	7/2003	Wahl et al.		
6,719,642 B2	4/2004	Wahl et al.		
D501,237 S *	1/2005	Madore	D21/759
D529,114 S *	9/2006	Madore	D21/759

D573,679 S *	7/2008	Kawami	D21/759
D574,047 S *	7/2008	Kawami	D21/759
D602,103 S *	10/2009	Jorgensen	D21/747
D622,336 S *	8/2010	Kohno	D21/747
D622,796 S *	8/2010	Kadoya	D21/759
D639,880 S *	6/2011	Roach	D21/747
D658,251 S *	4/2012	Cooper	D21/759
D685,045 S *	6/2013	Oldknow	D21/759
D704,784 S *	5/2014	Vrska	D21/759
D709,149 S *	7/2014	Roach	D21/747

* cited by examiner

Primary Examiner — Mitchell I. Siegel

(74) *Attorney, Agent, or Firm* — Klarquist Sparkman LLP

(57) **CLAIM**

We claim the ornamental design for a iron golf club head, as shown and described.

DESCRIPTION

FIG. 1 is a perspective view of an iron golf club head, as view from the top and one side.

FIG. 2 is a front elevation view of the iron golf club head of FIG. 1.

FIG. 3 is a rear elevation view of the iron golf club head of FIG. 1.

FIG. 4 is a side elevation view of a toe side of the iron golf club head of FIG. 1.

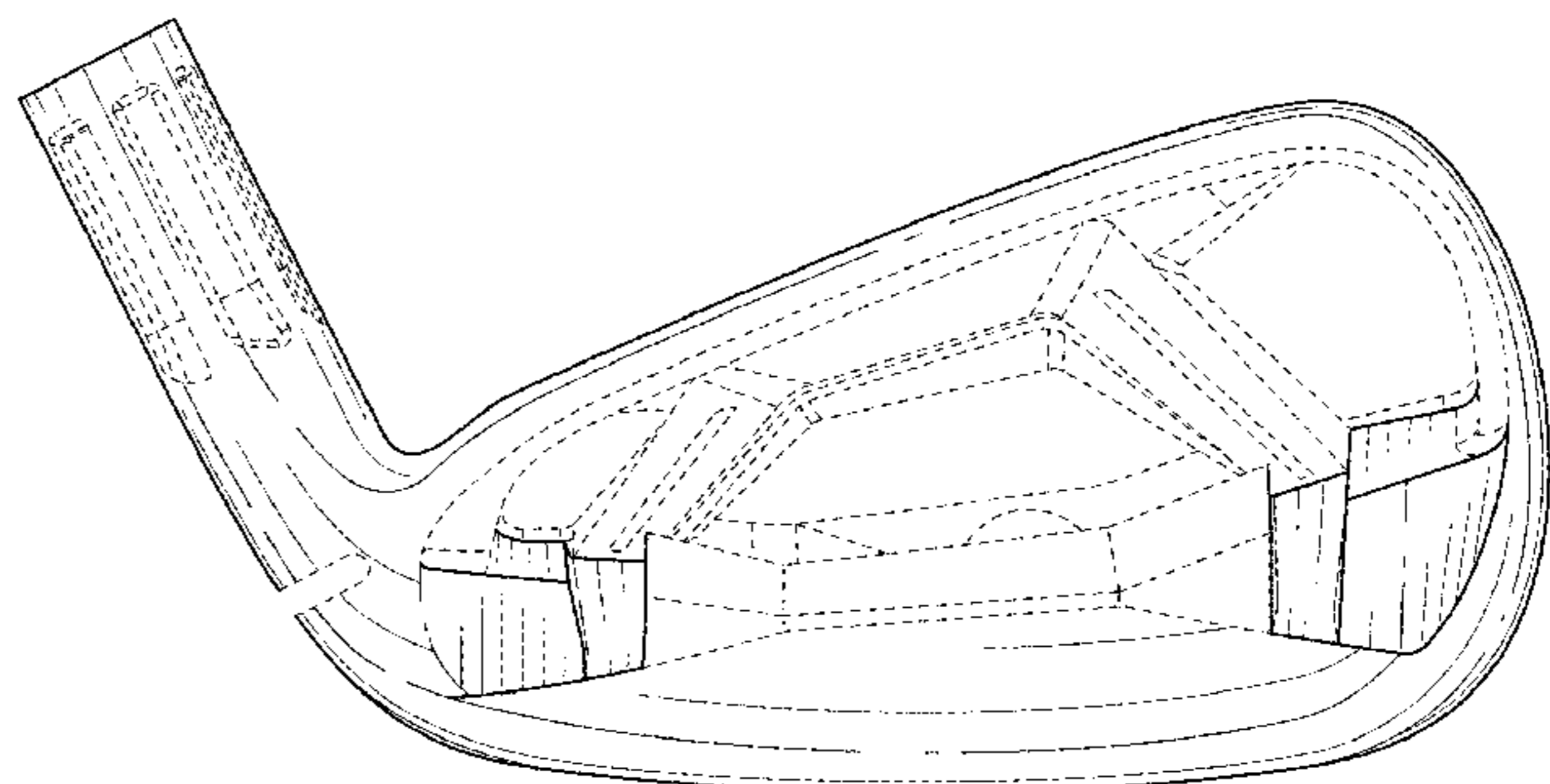
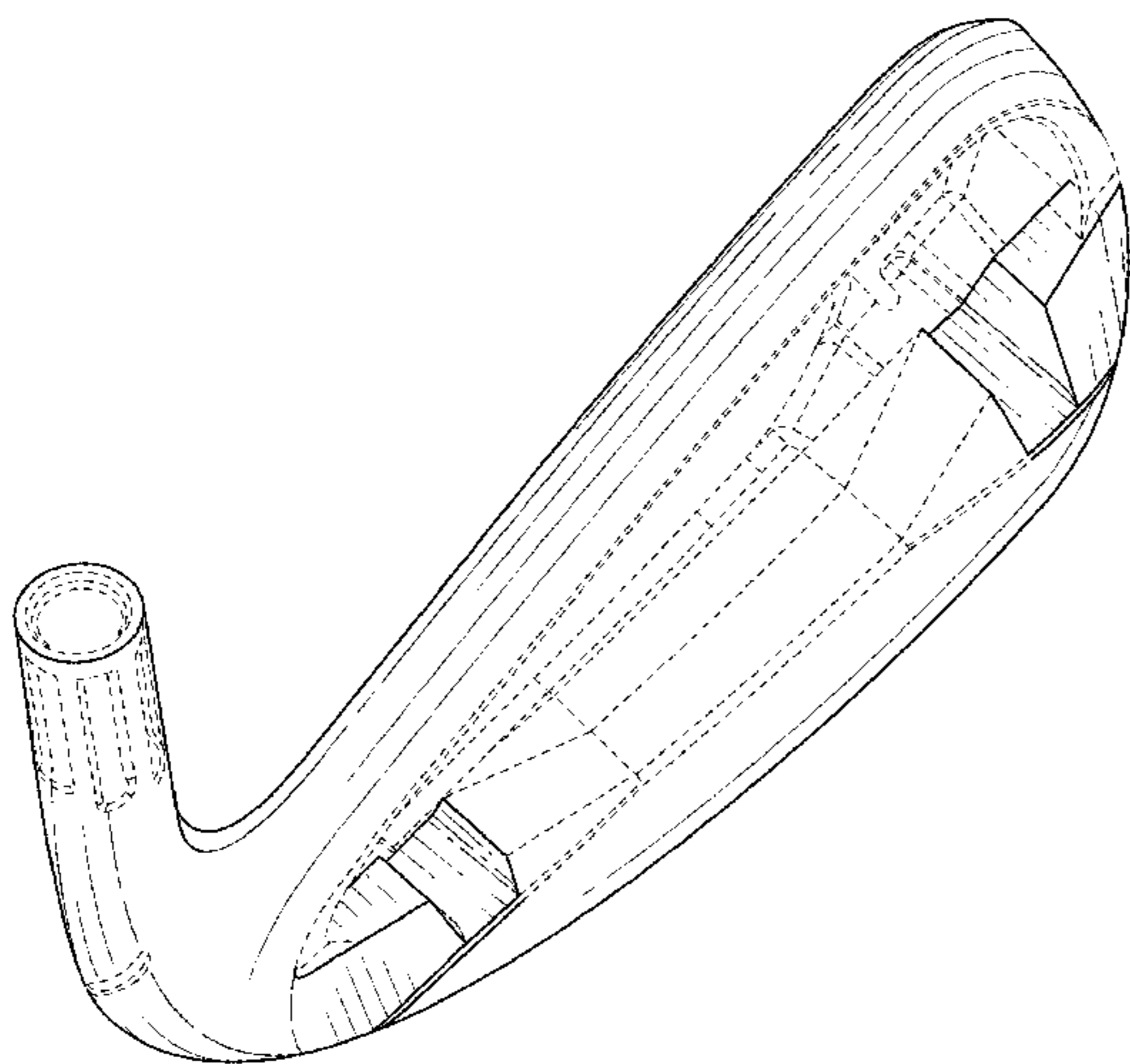
FIG. 5 is a side elevation view of an opposite heel side of the iron golf club head of FIG. 1.

FIG. 6 is a top plan view of the iron golf club head of FIG. 1; and,

FIG. 7 is a bottom plan view of the iron golf club head of FIG. 1.

The dashed lines in the drawings are for purposes of illustrating environmental structure as well as portions of the design that form no part of the present claimed design.

1 Claim, 4 Drawing Sheets



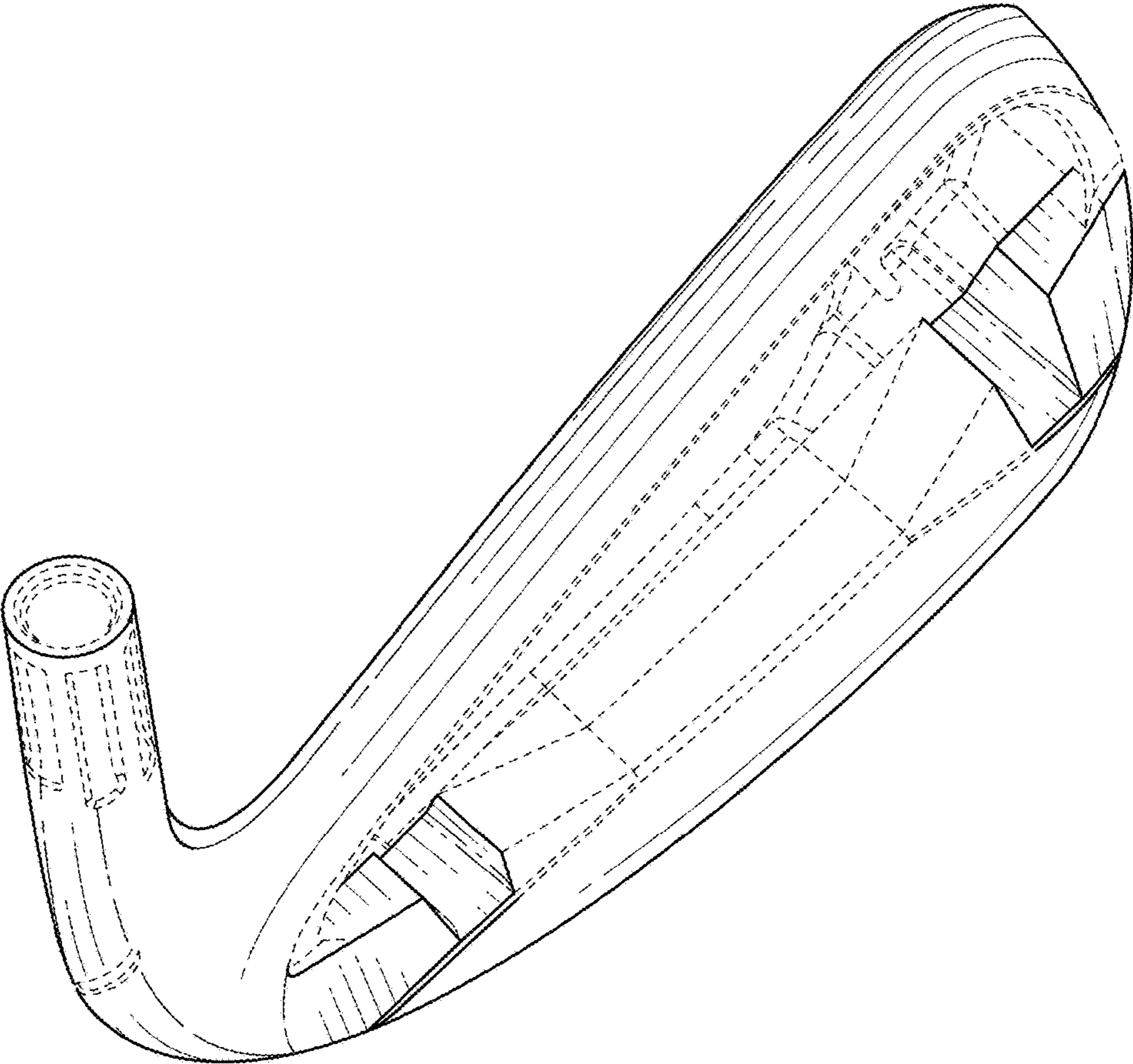


FIG. 1

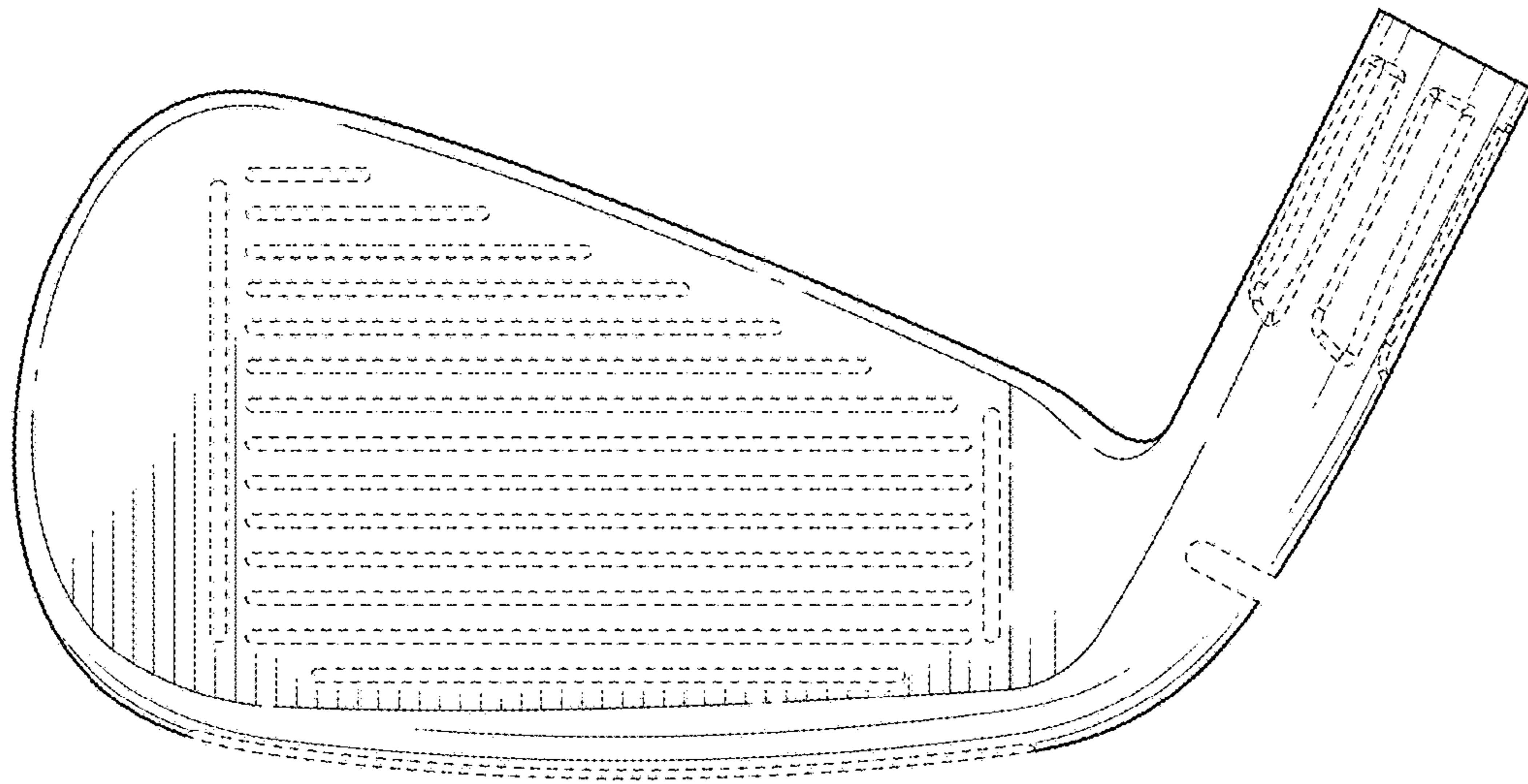


FIG. 2

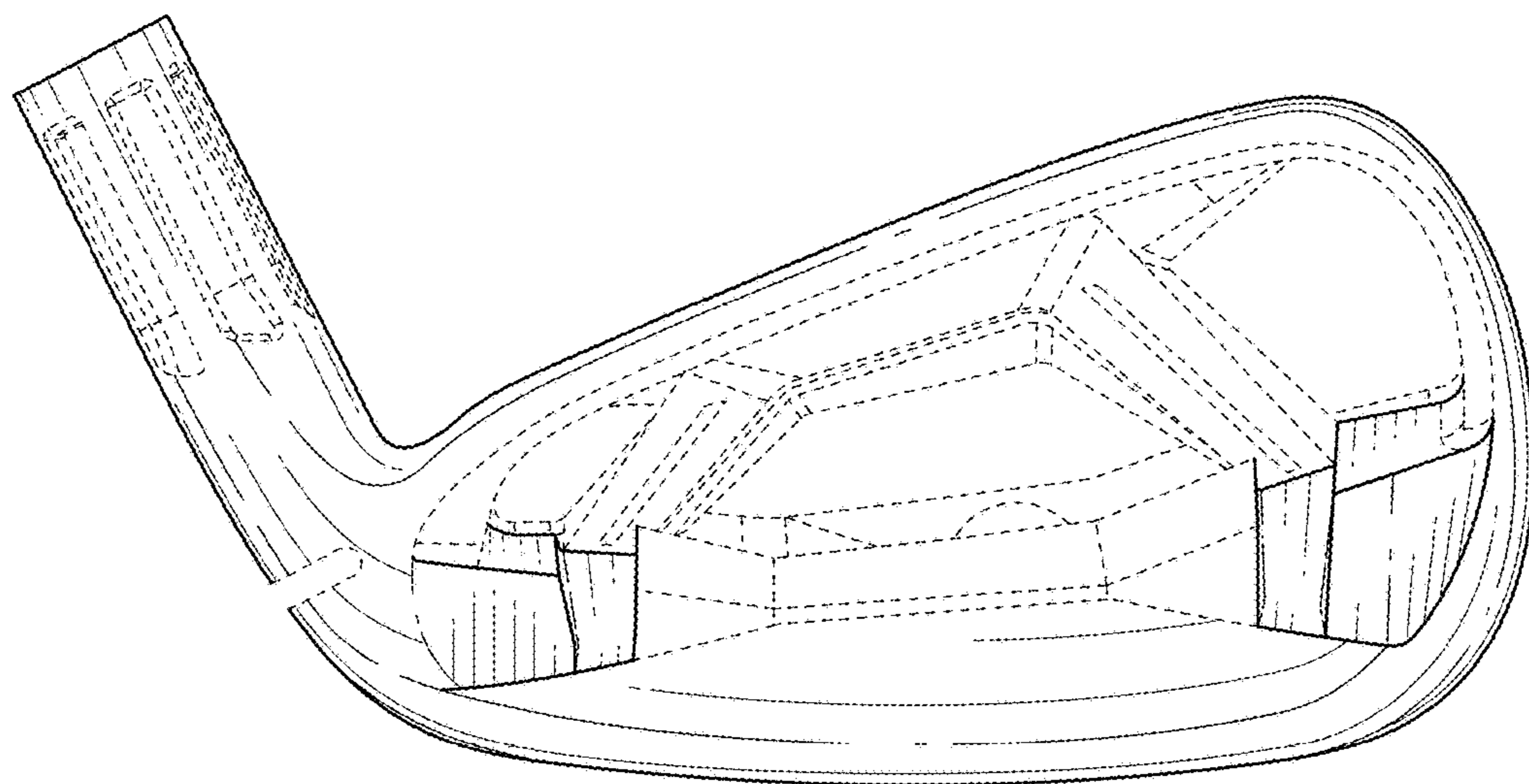


FIG. 3

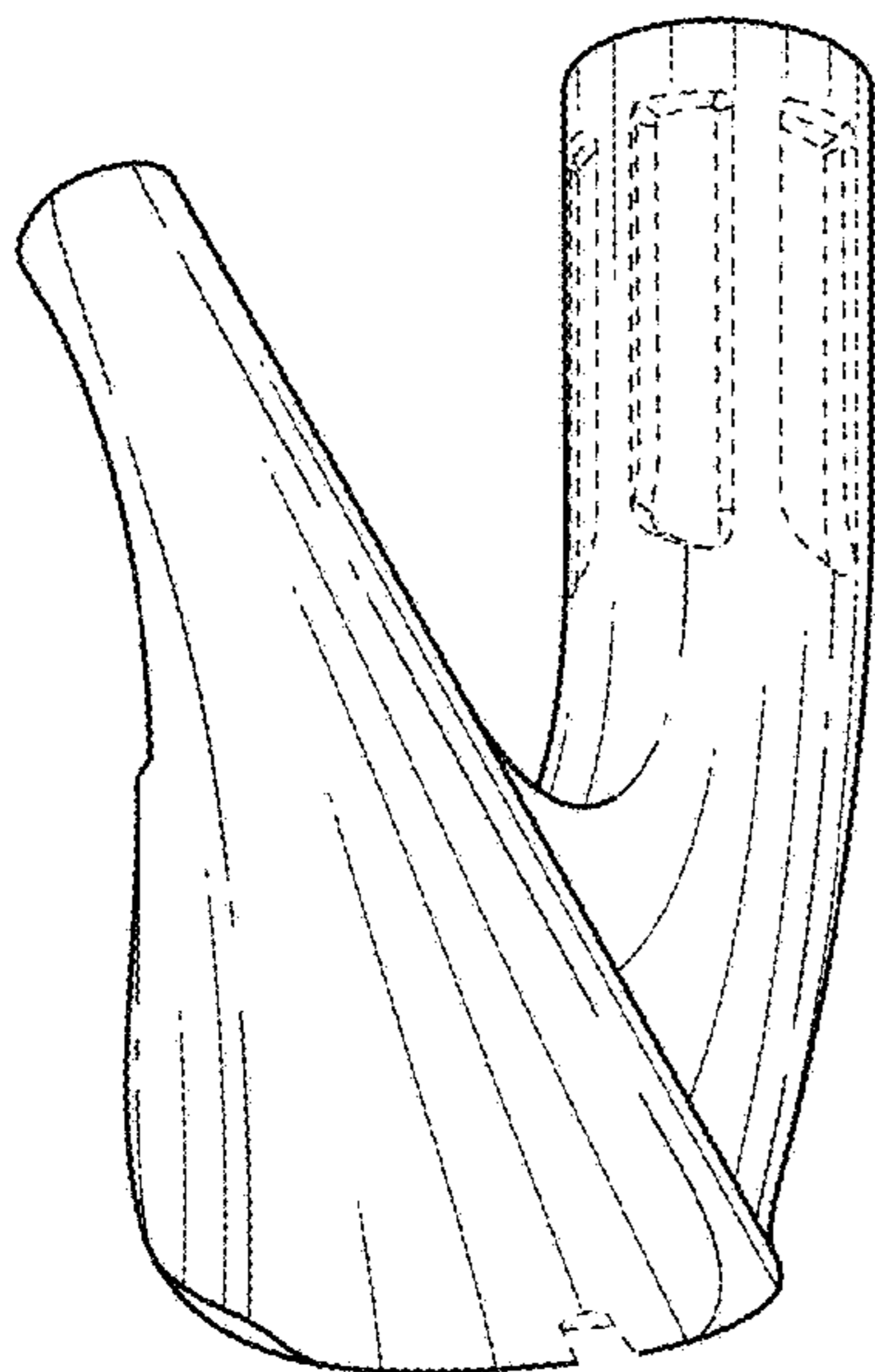


FIG. 4

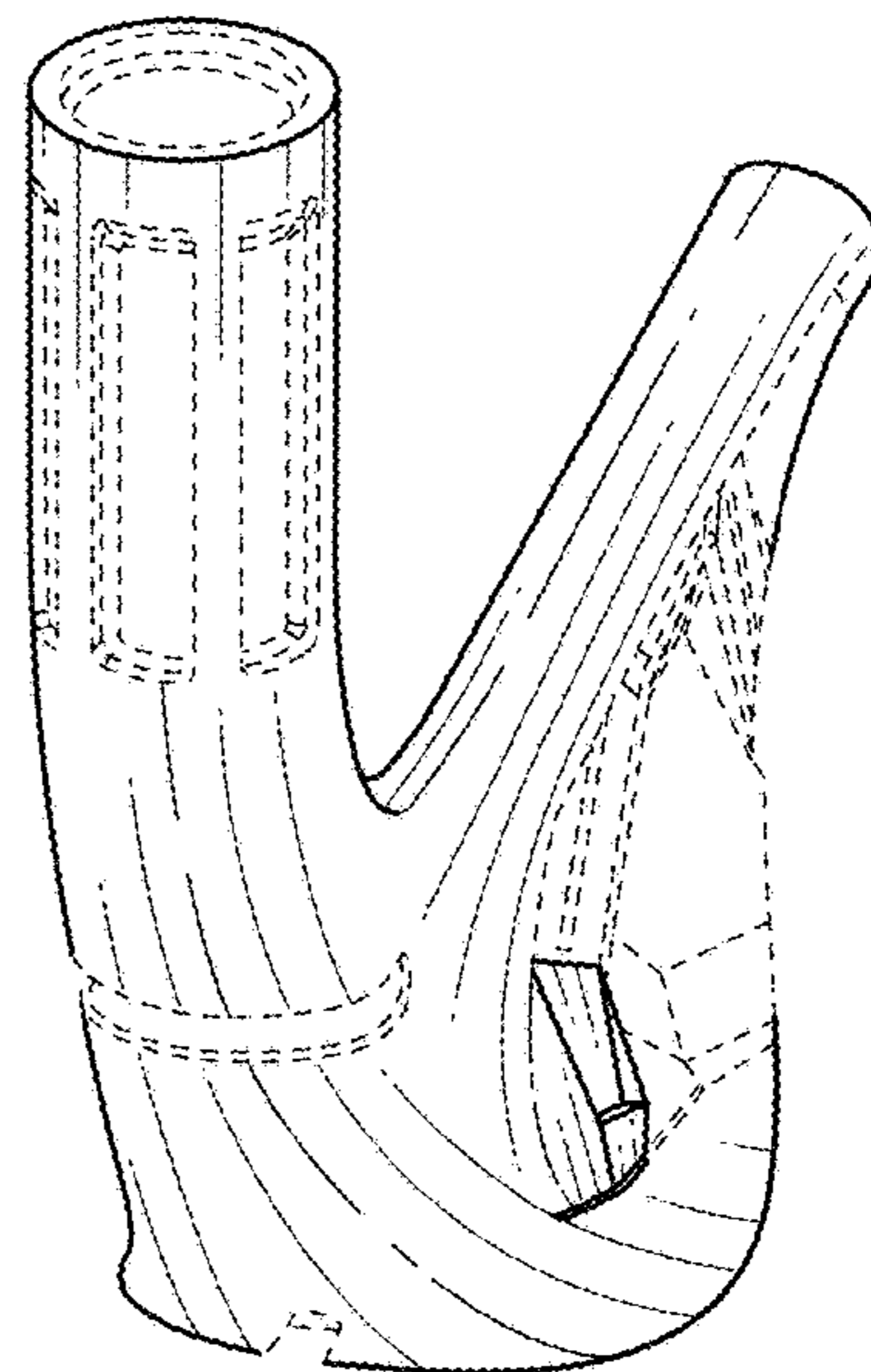


FIG. 5

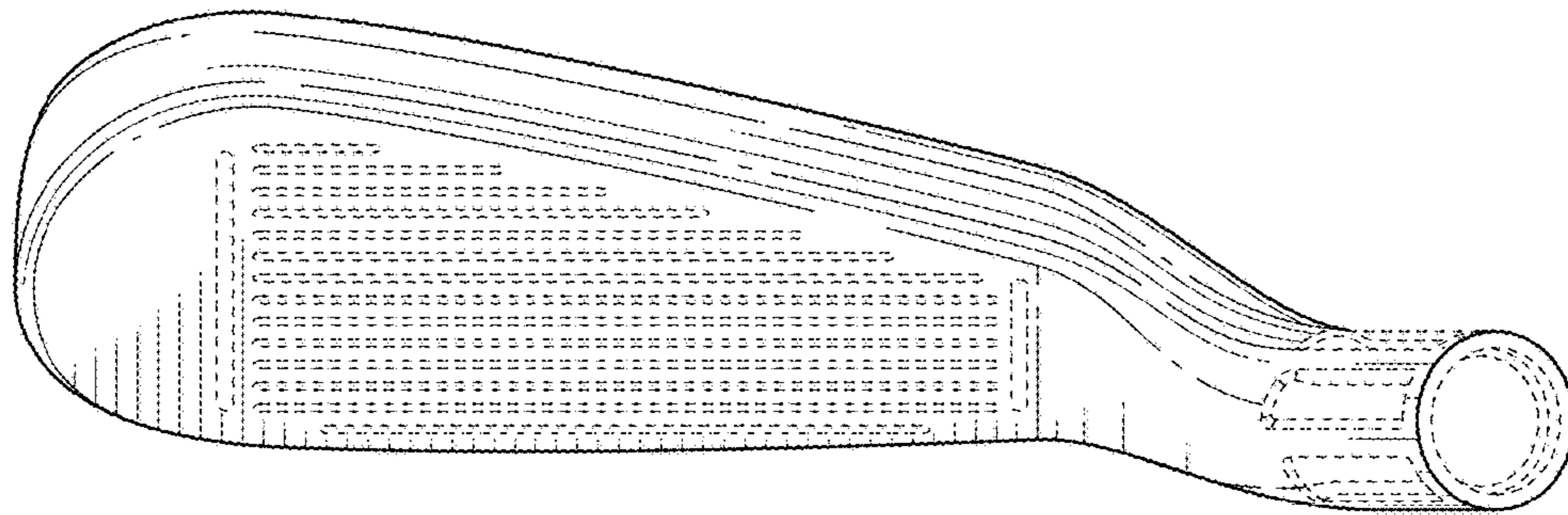


FIG. 6

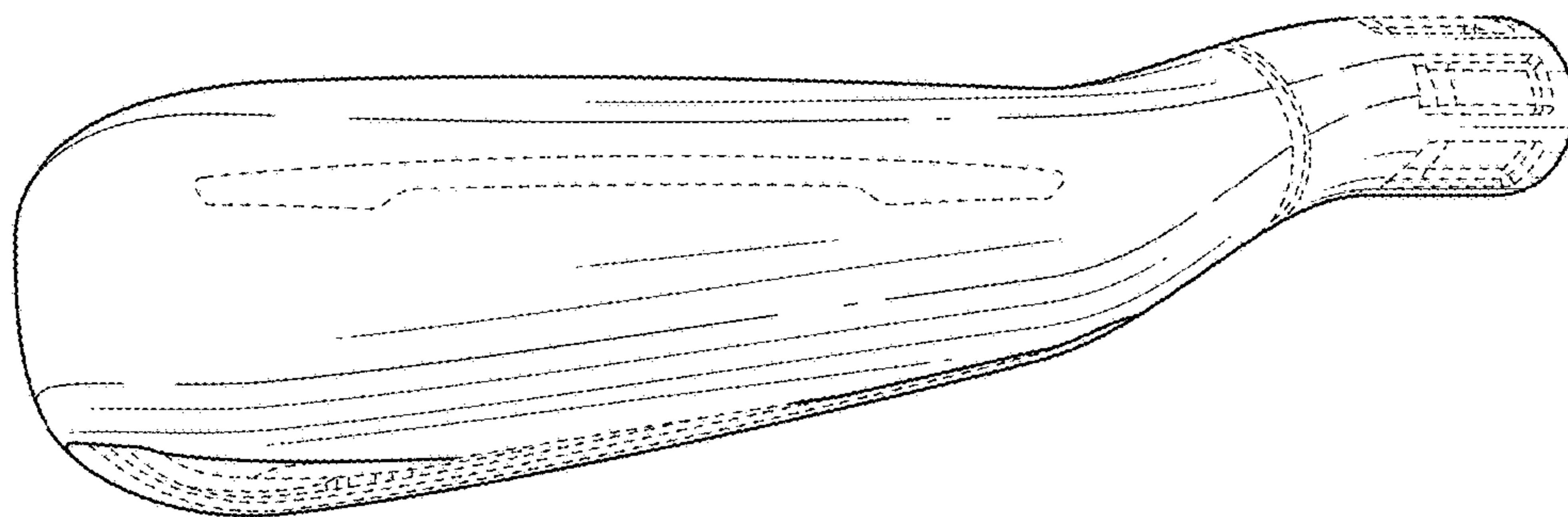


FIG. 7