



US00D822775S

(12) **United States Design Patent**
Donaghue

(10) **Patent No.:** **US D822,775 S**
(45) **Date of Patent:** **** Jul. 10, 2018**

- (54) **GOLF CLUB HEAD**
- (71) Applicant: **Point-n-Putt Pty. Ltd.**, Deakin ACT (AU)
- (72) Inventor: **Paul Joseph Donaghue**, Deakin (AU)
- (73) Assignee: **Point-n-Putt Pty. Ltd.**, Deakin (AU)
- (**) Term: **15 Years**
- (21) Appl. No.: **29/602,567**
- (22) Filed: **May 2, 2017**

D297,445 S *	8/1988	Shearer	D21/743
D297,446 S *	8/1988	Shearer	D21/743
D297,964 S *	10/1988	Shearer	D21/743
D322,829 S *	12/1991	Antonious	D21/742
D325,950 S *	5/1992	Duran	D21/744
D337,803 S *	7/1993	Sillers	D21/741
5,417,429 A *	5/1995	Strand	A63B 69/3685 473/251
D360,669 S *	7/1995	Buscemi	D21/743
D380,514 S *	7/1997	Markley	D21/741
D511,801 S *	11/2005	Garcia	D21/742
D777,268 S *	1/2017	Becktor	D21/742
D779,606 S *	2/2017	Becktor	D21/742
D794,731 S *	8/2017	Donaghue	D21/742
D799,616 S *	10/2017	Becktor et al.	D21/742

Related U.S. Application Data

- (62) Division of application No. 29/555,140, filed on Feb. 18, 2016, now Pat. No. Des. 794,731.

Foreign Application Priority Data

- Aug. 20, 2015 (AU) 201514287
- Aug. 27, 2015 (AU) 201514515

(51) **LOC (11) Cl.** **21-02**

(52) **U.S. Cl.**
USPC **D21/742**

(58) **Field of Classification Search**
USPC D21/736-751
CPC A63B 53/00; A63B 53/04; A63B 53/007;
A63B 53/065; A63B 53/0487; A63B
60/00; A63B 60/46; A63B 53/02; A63B
53/047; A63B 53/0475; A63B 2053/0479;
A63B 2053/0483; A63B 2053/0445
See application file for complete search history.

(56) **References Cited**

U.S. PATENT DOCUMENTS

D228,930 S *	10/1973	Leigh	473/255
D291,343 S *	8/1987	Shearer	D21/744

OTHER PUBLICATIONS

1990 Catalog Buyers Guide, p. 22 (Publicly-Known Document No. HD02024433 of the Designs Department of the Patent Office).

(Continued)

Primary Examiner — Mitchell I. Siegel
(74) *Attorney, Agent, or Firm* — Gregory A. Walters;
Walters IP Law

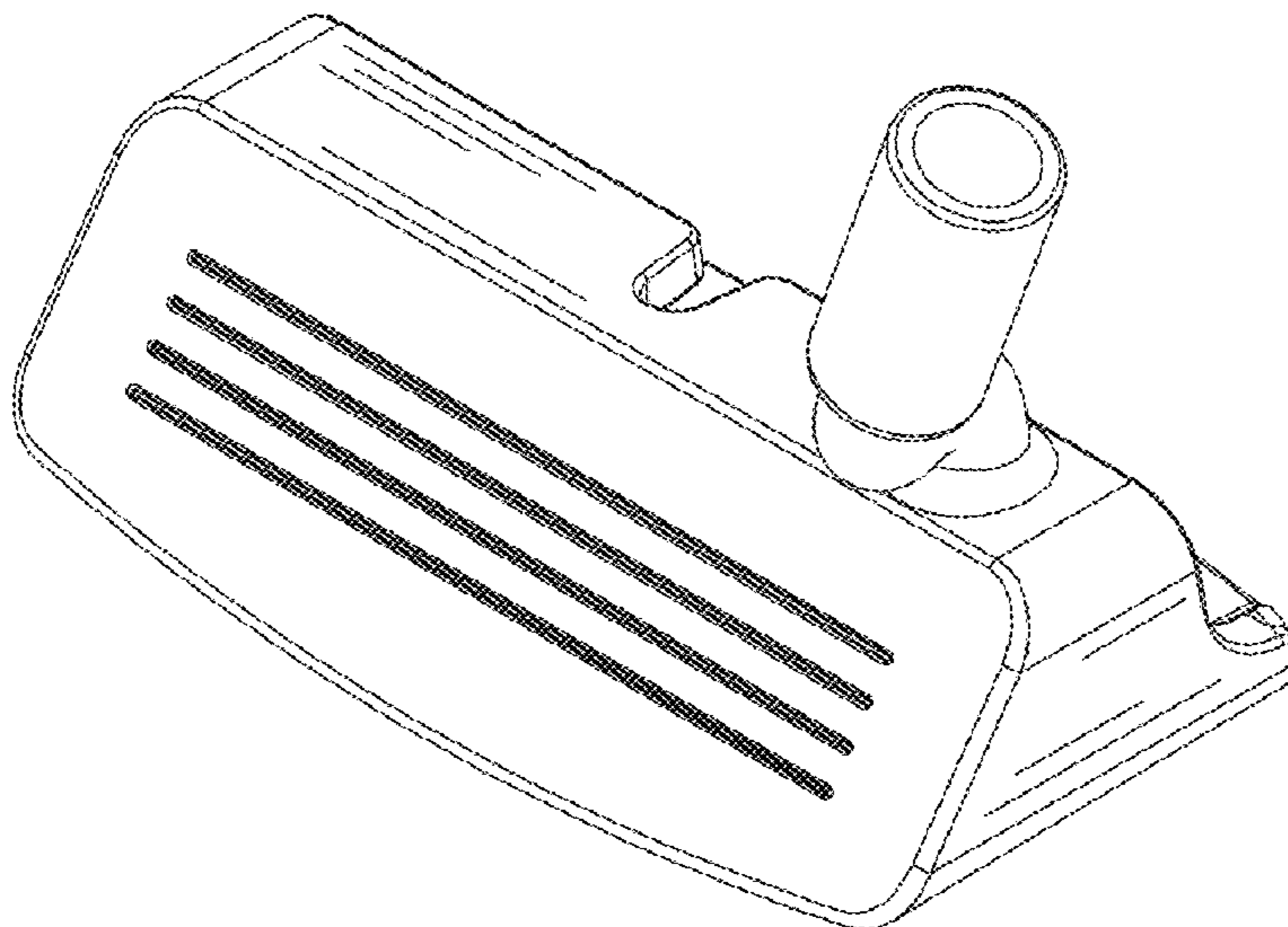
(57) **CLAIM**

The ornamental design for a golf club head, substantially as shown and described.

DESCRIPTION

FIG. 1 is a perspective view of the new ornamental design. FIG. 2 is a front view of the design. FIG. 3 is a right side view of the design. FIG. 4 is a left side view of the design. FIG. 5 is a top view of the design. FIG. 6 is a bottom view of the design; and, FIG. 7 is a rear view of the design.

1 Claim, 7 Drawing Sheets



(56)

References Cited

OTHER PUBLICATIONS

Golf Digest, No. 7, vol. 41, (Jul. 31, 1990), p. 42 (Publicly-Known Document No. HB02016090 of the Designs Department of the Patent Office).

Golf Magazine, No. 5, vol. 45, (May 1, 1996), p. 133 (Publicly-Known Document No. HA08009473 of the Designs Department of the Patent Office).

Japan Examiner's Notification (with English translation) for Application No. 2016-003986 dated Aug. 26, 2016, 4 pages.

Japan Examiner's Notification (with English translation) for Application No. 2016-003747 dated Aug. 26, 2016, 4 pages.

* cited by examiner

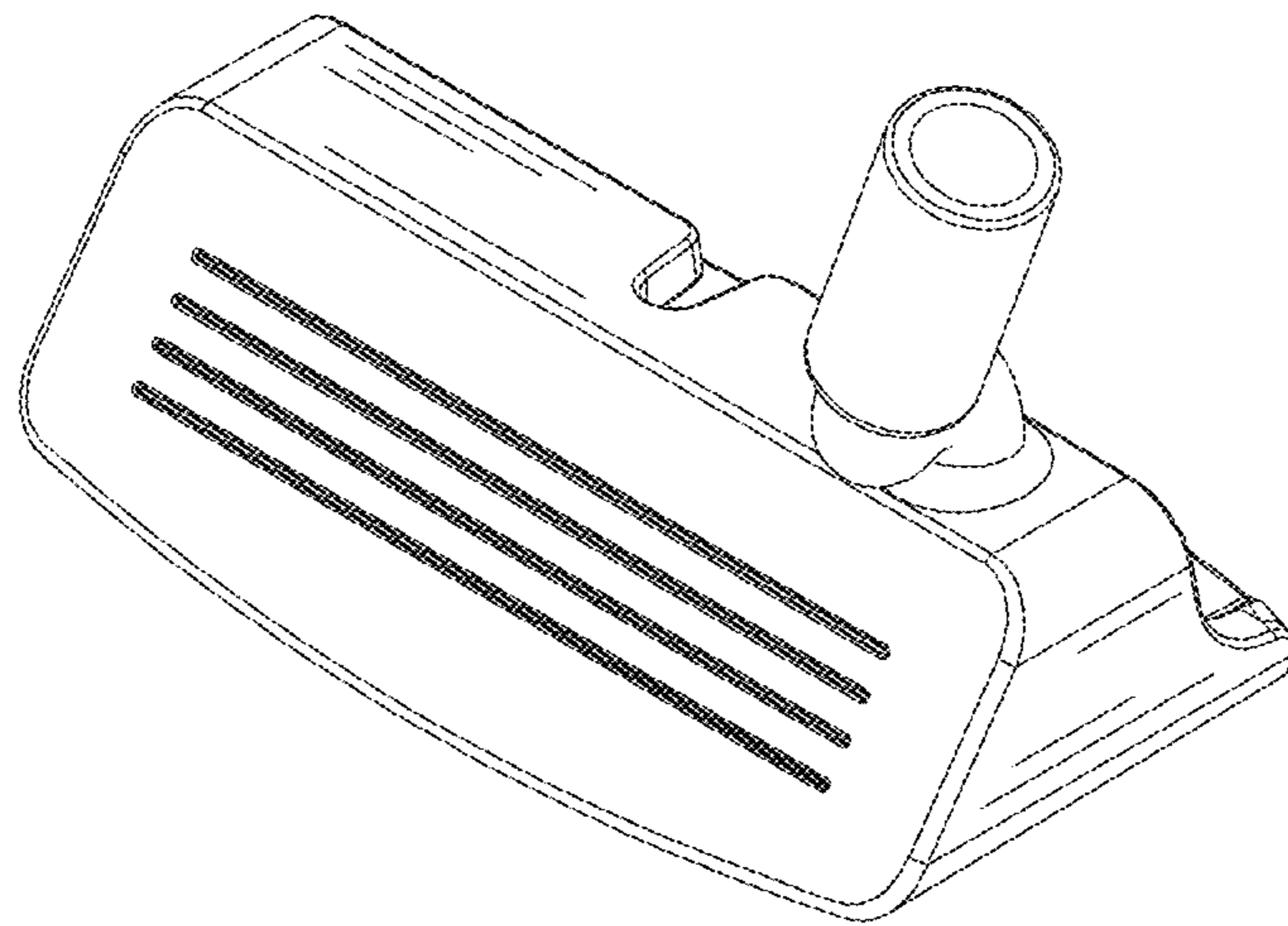


FIG. 1

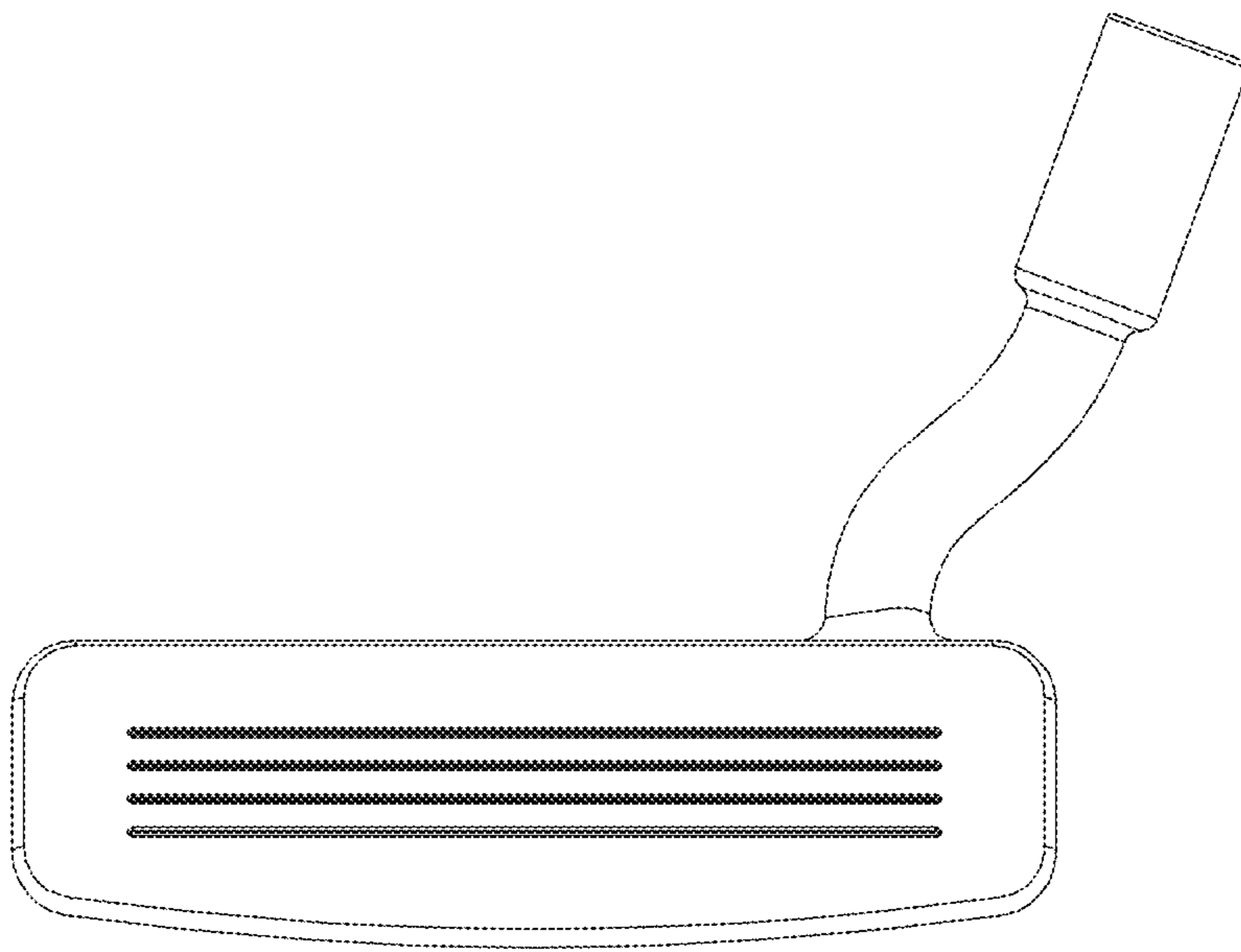


FIG. 2

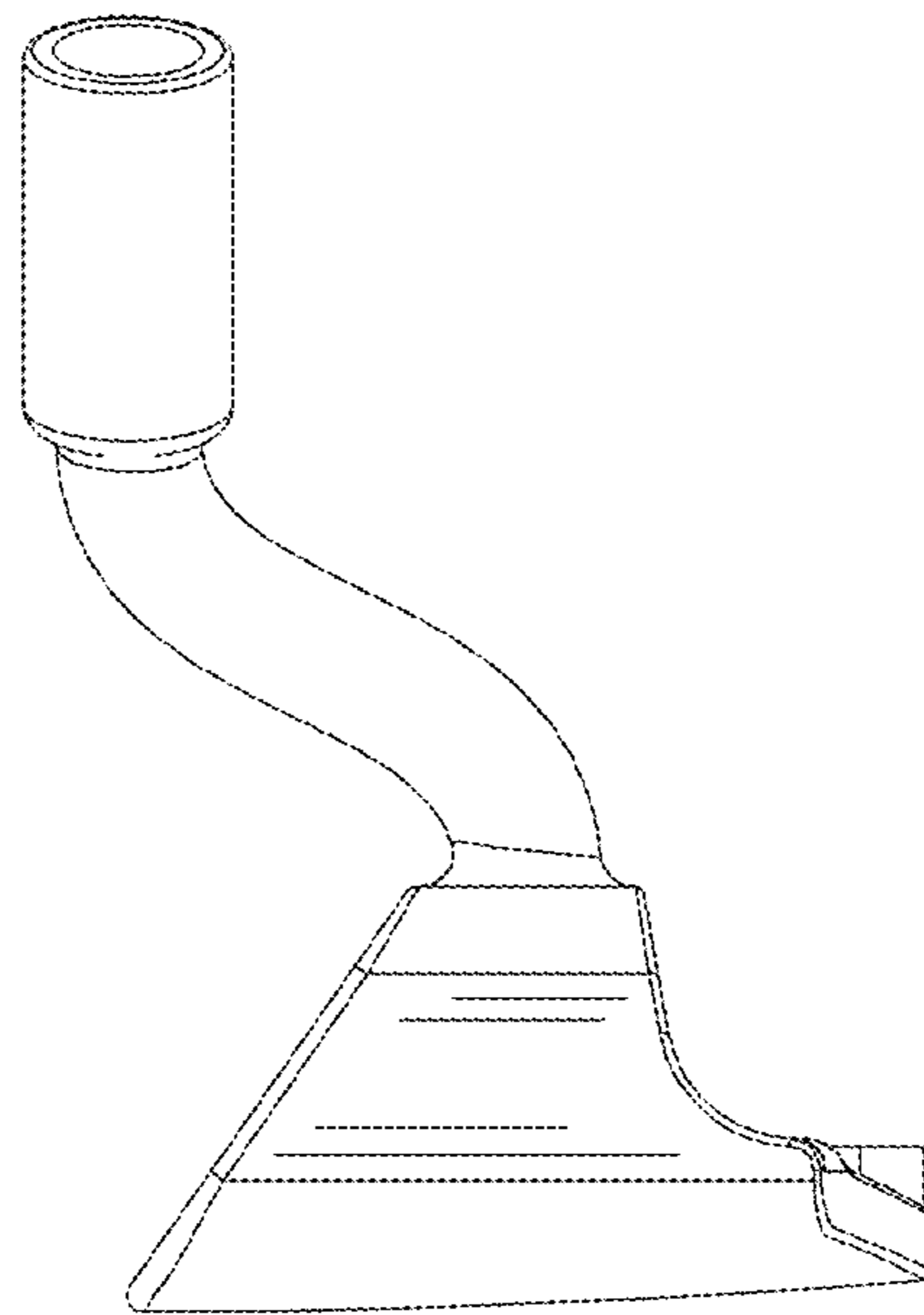


FIG. 3

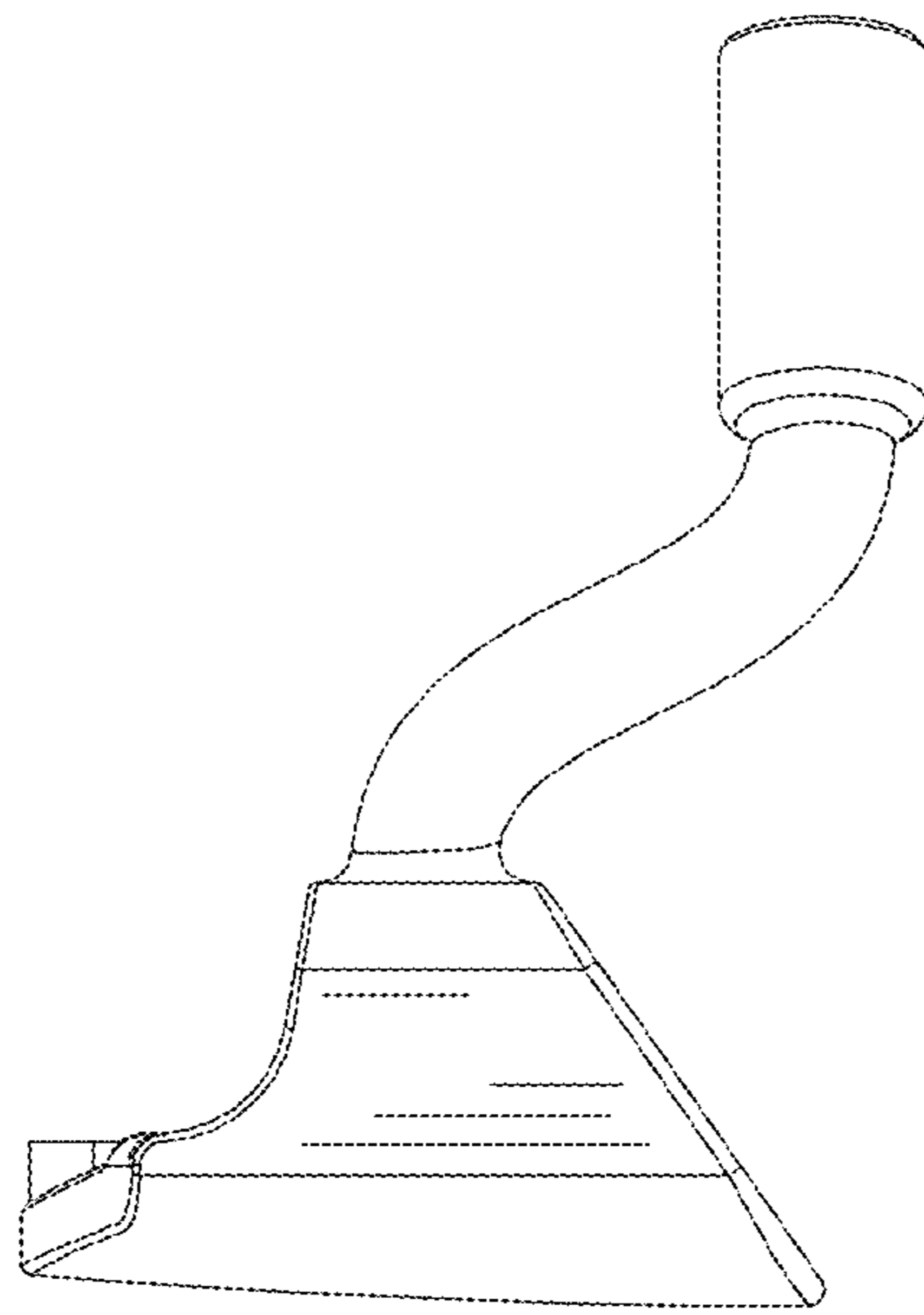


FIG. 4

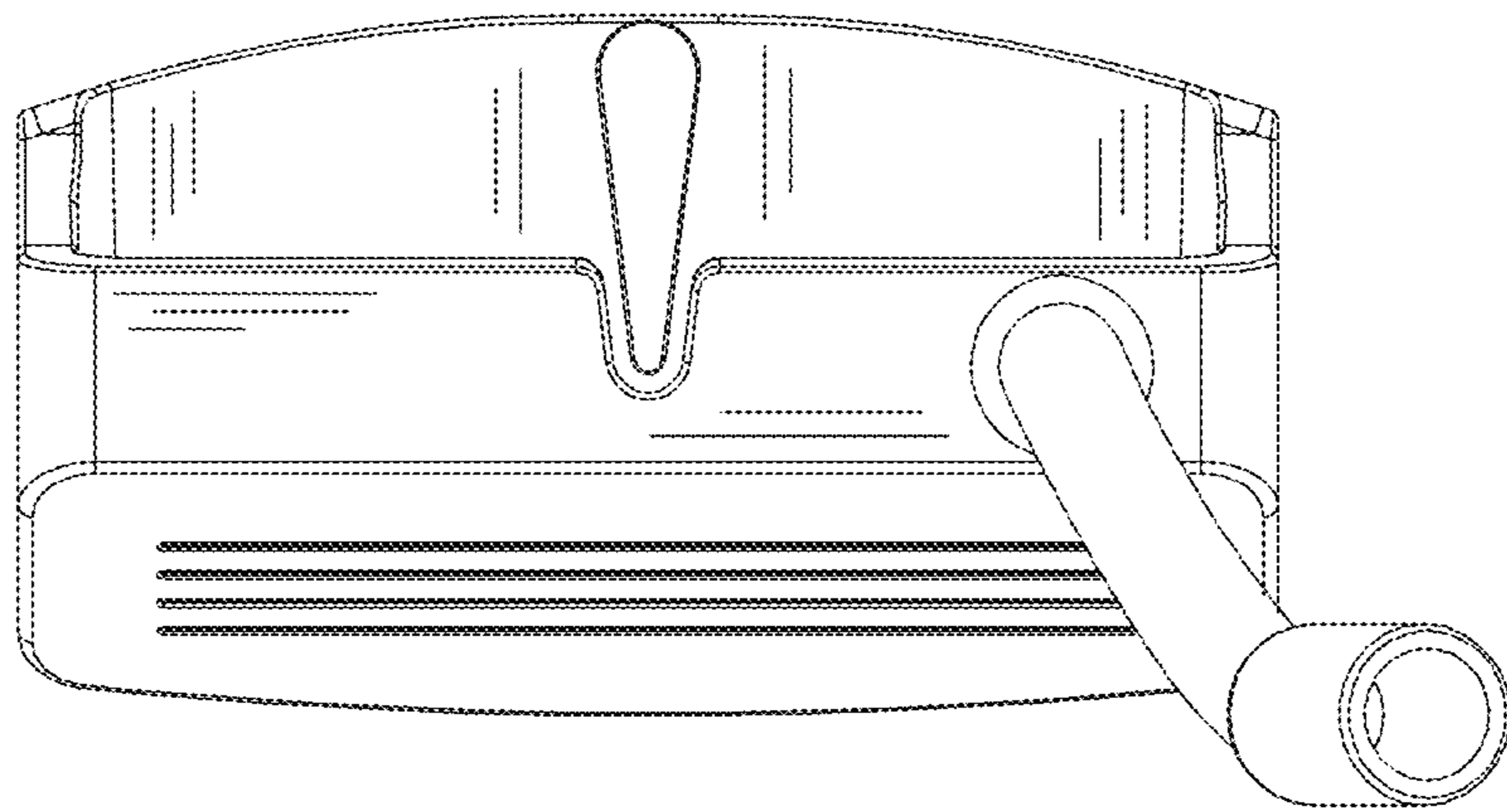


FIG. 5

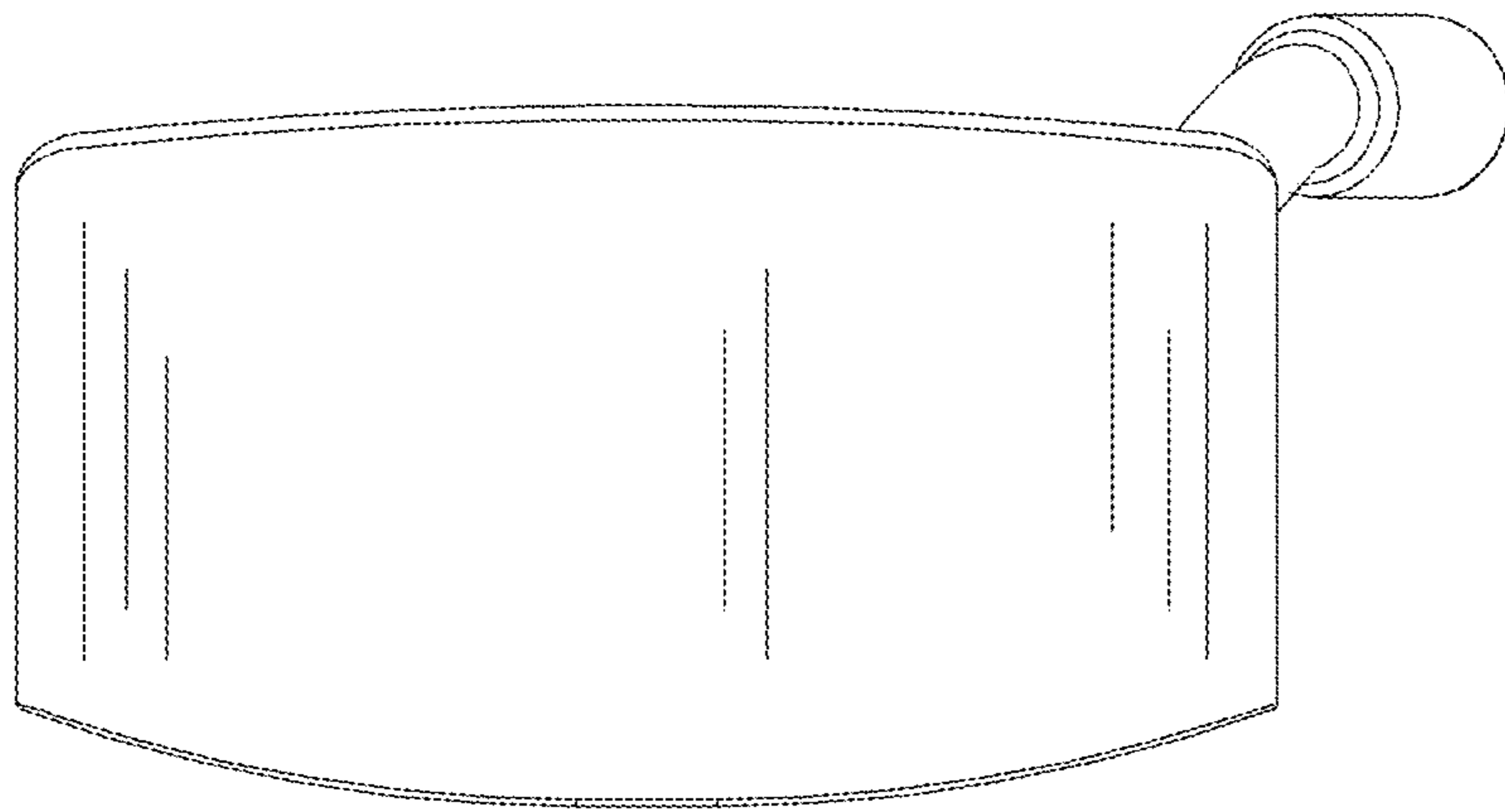


FIG. 6

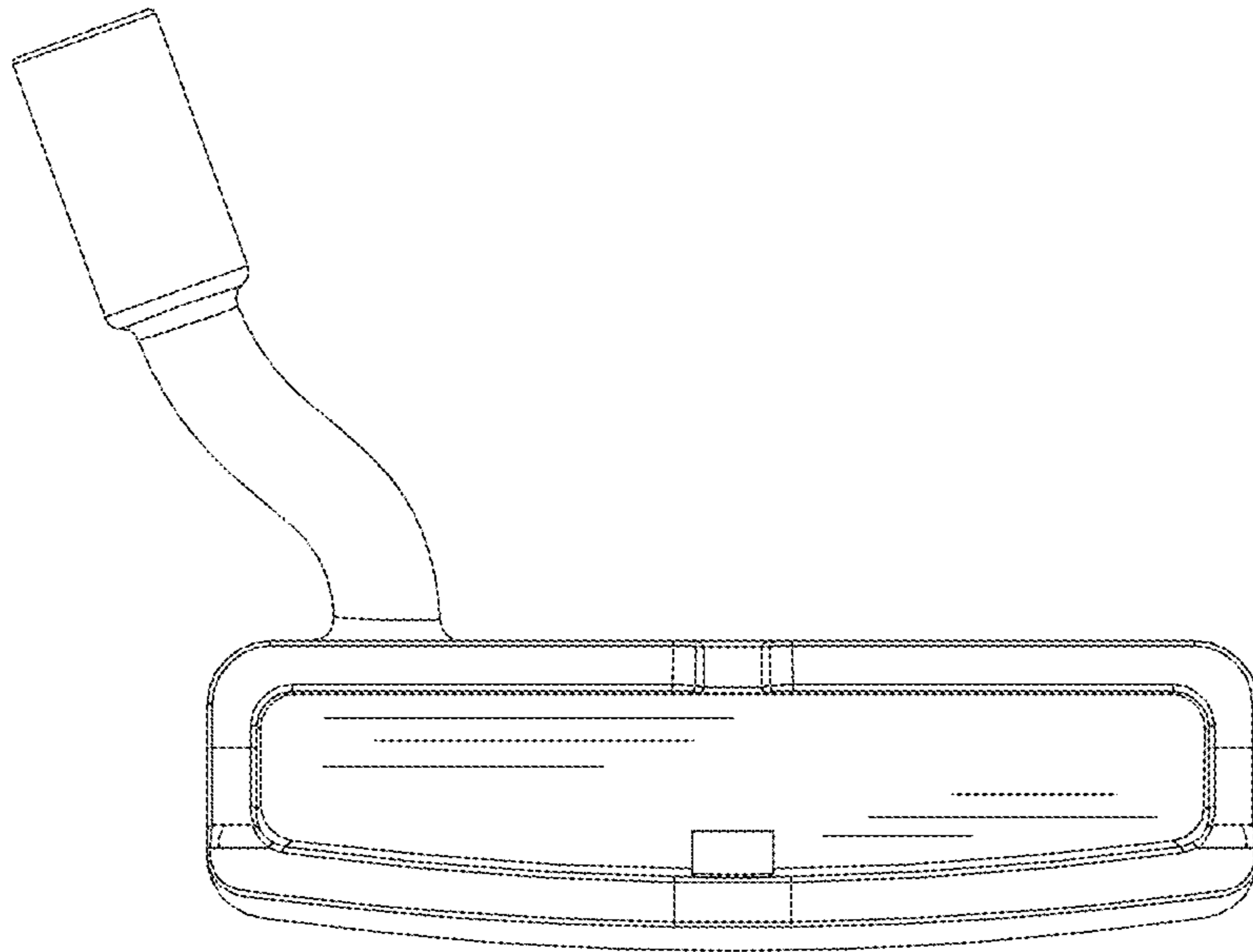


FIG. 7