



US00D822773S

(12) **United States Design Patent** (10) **Patent No.:** **US D822,773 S**  
**Khubani** (45) **Date of Patent:** **\*\* Jul. 10, 2018**

(54) **EXERCISE APPARATUS**  
(71) Applicant: **Telebrands Corp.**, Fairfield, NJ (US)  
(72) Inventor: **Ajit Khubani**, Saddle River, NJ (US)  
(73) Assignee: **Telebrands Corp.**, Fairfield, NJ (US)  
(\*\*) Term: **15 Years**  
(21) Appl. No.: **29/583,731**  
(22) Filed: **Nov. 8, 2016**  
(51) **LOC (11) Cl.** ..... **21-02**  
(52) **U.S. Cl.**  
USPC ..... **D21/668**  
(58) **Field of Classification Search**  
USPC ..... 482/112, 118, 126, 127, 128, 129, 130,  
482/132, 138, 142, 146, 49, 51, 53, 79,  
482/80, 908; 601/105, 148, 152, 27, 29,  
601/32, 46; D21/668, 670, 671, 673,  
D21/685, 688, 694, 697; D24/188, 212,  
D24/215  
CPC ..... A63B 2022/0038; A63B 21/068; A63B  
69/0035  
See application file for complete search history.

2003/0199365 A1\* 10/2003 Hong ..... A63B 21/0083  
482/53  
2005/0064996 A1\* 3/2005 Chen ..... A63B 22/0056  
482/53  
2009/0156378 A1\* 6/2009 Wang ..... A63B 21/0552  
482/138

**OTHER PUBLICATIONS**

Amazon "Stamina In-Motion Elliptical Trainer", [https://www.amazon.com/Stamina-In-Motion-Elliptical-Trainer/dp/B00AQ7ZNEA/ref=pd\\_sbs\\_200\\_1?encoding=UTF8&pd\\_rd\\_i=B00AQ7ZNEA&pd\\_rd\\_r=3XG6432M3V9T7B6QP9HG&pd\\_rd\\_w=CVy0U&pd\\_rd\\_wg=fmAlw&refRID=3XG6432M3V9T7B6QP9HG](https://www.amazon.com/Stamina-In-Motion-Elliptical-Trainer/dp/B00AQ7ZNEA/ref=pd_sbs_200_1?encoding=UTF8&pd_rd_i=B00AQ7ZNEA&pd_rd_r=3XG6432M3V9T7B6QP9HG&pd_rd_w=CVy0U&pd_rd_wg=fmAlw&refRID=3XG6432M3V9T7B6QP9HG). Feb. 17, 2008. shown in p. 1, Item # 55-1610.\*

\* cited by examiner

*Primary Examiner* — Cynthia Ramirez  
*Assistant Examiner* — Michael A Maharajh  
(74) *Attorney, Agent, or Firm* — Cooper & Dunham LLP

(57) **CLAIM**

The ornamental design for an exercise apparatus, as shown and described.

**DESCRIPTION**

FIG. 1 is a front perspective view of an exercise apparatus, showing my design;  
FIG. 2 is a top view thereof;  
FIG. 3 is a bottom view thereof;  
FIG. 4 is a front view thereof;  
FIG. 5 is a back view thereof;  
FIG. 6 is a left side view thereof; and,  
FIG. 7 is a right side view thereof.  
The broken lines are for illustrative purposes only and represent unclaimed portions that form no part of the claimed design. The shading represents contour of the claimed design.

**1 Claim, 5 Drawing Sheets**

(56) **References Cited**

**U.S. PATENT DOCUMENTS**

D514,635 S \* 2/2006 Hsiao ..... D21/670  
D771,204 S \* 11/2016 Ho ..... D21/668  
D781,383 S \* 3/2017 Ho ..... D21/670  
D781,384 S \* 3/2017 Ho ..... D21/670  
D793,494 S \* 8/2017 Mansfield ..... D21/668  
2003/0017916 A1\* 1/2003 Juan ..... A63B 22/0056  
482/51  
2003/0114273 A1\* 6/2003 Chen ..... A63B 23/0429  
482/53

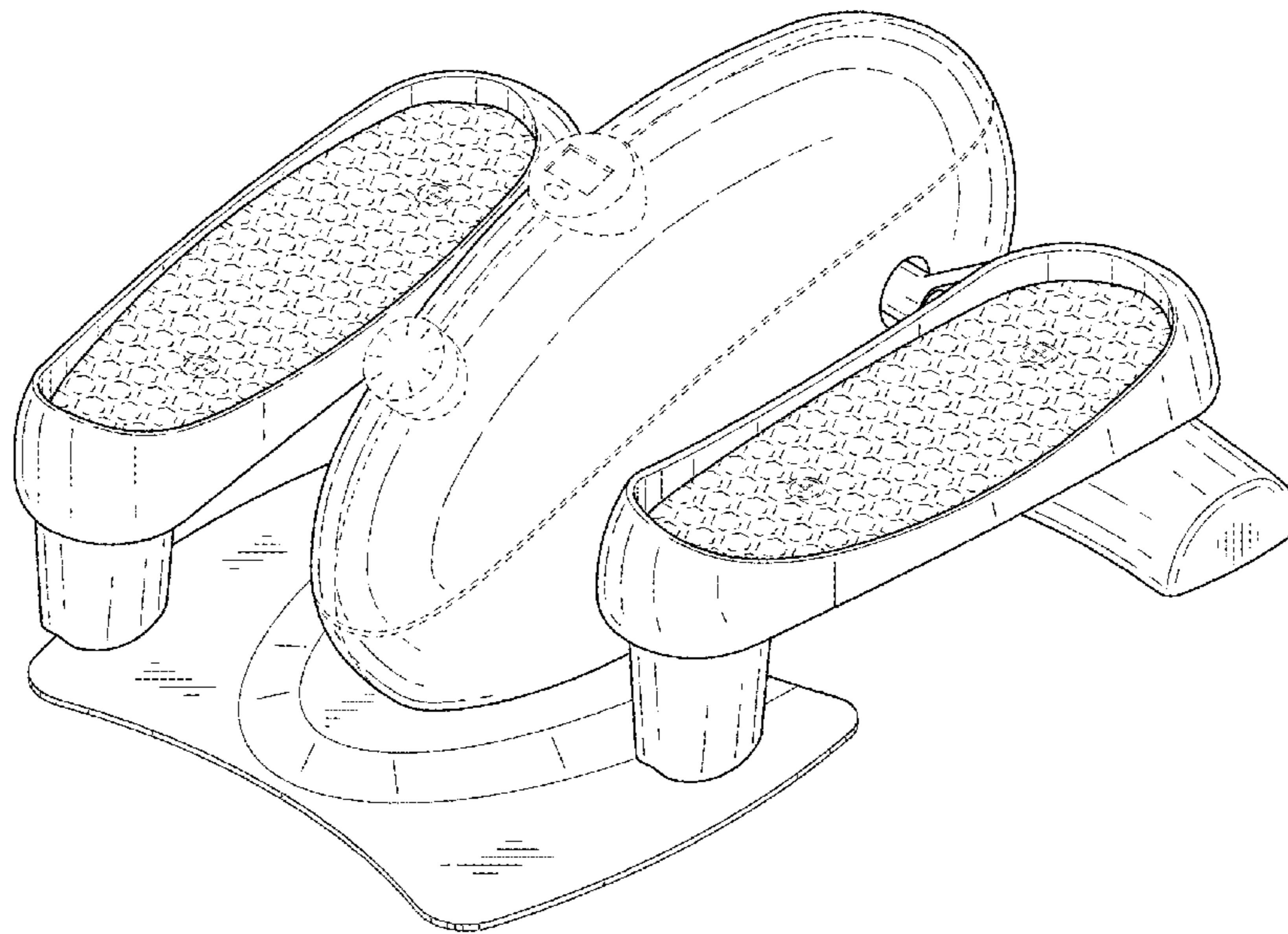


FIG. 1

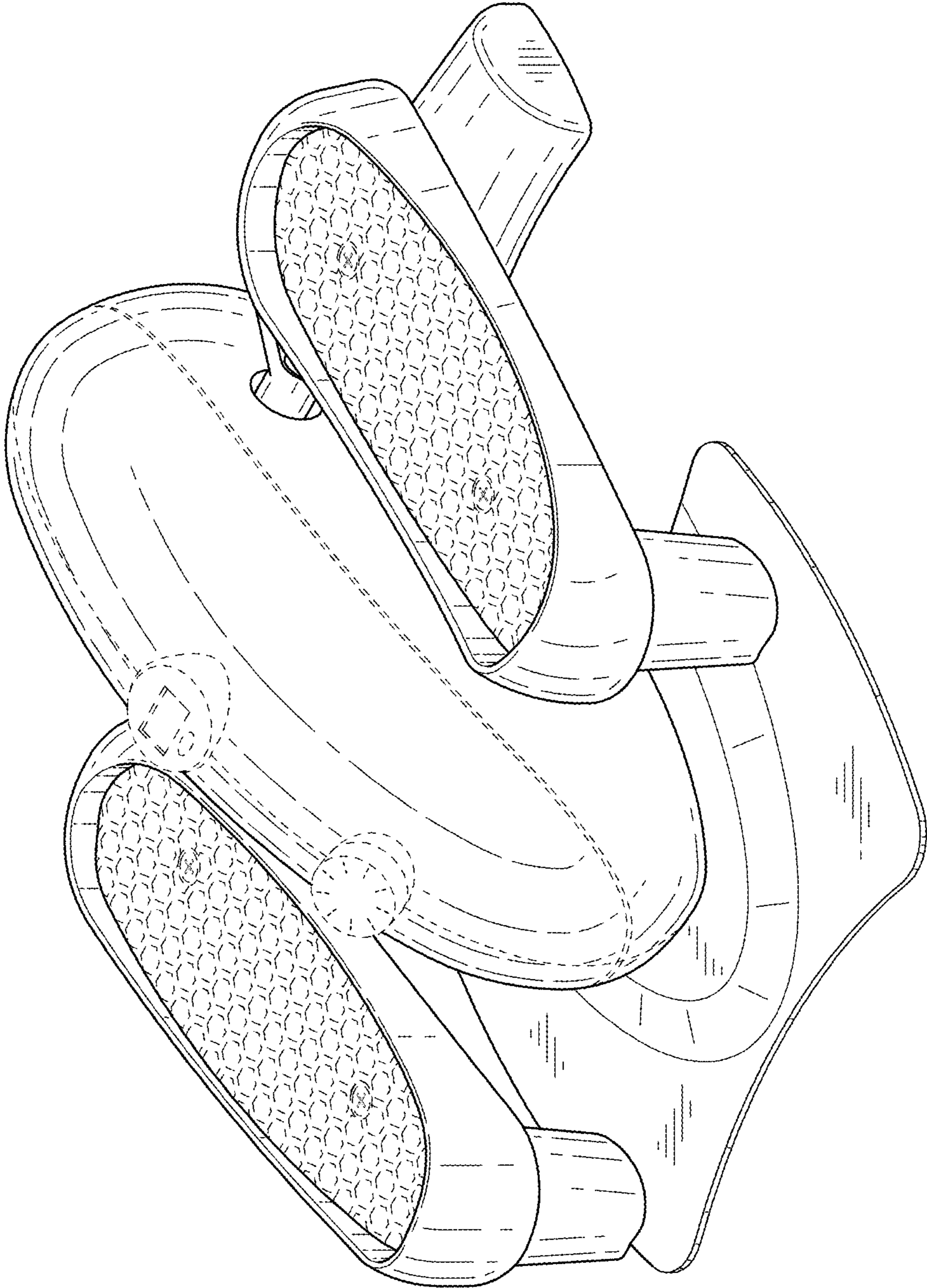


FIG. 2

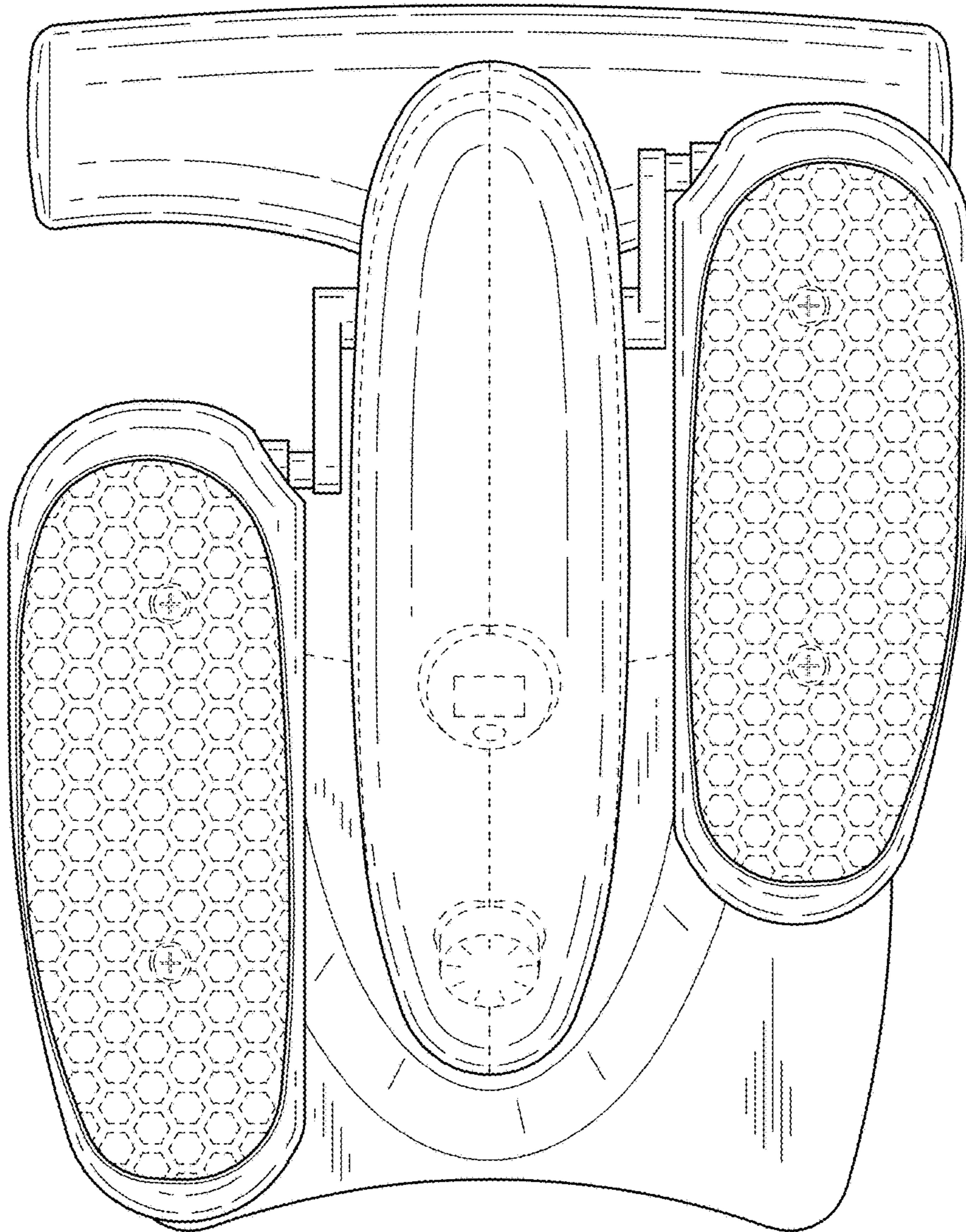


FIG. 3

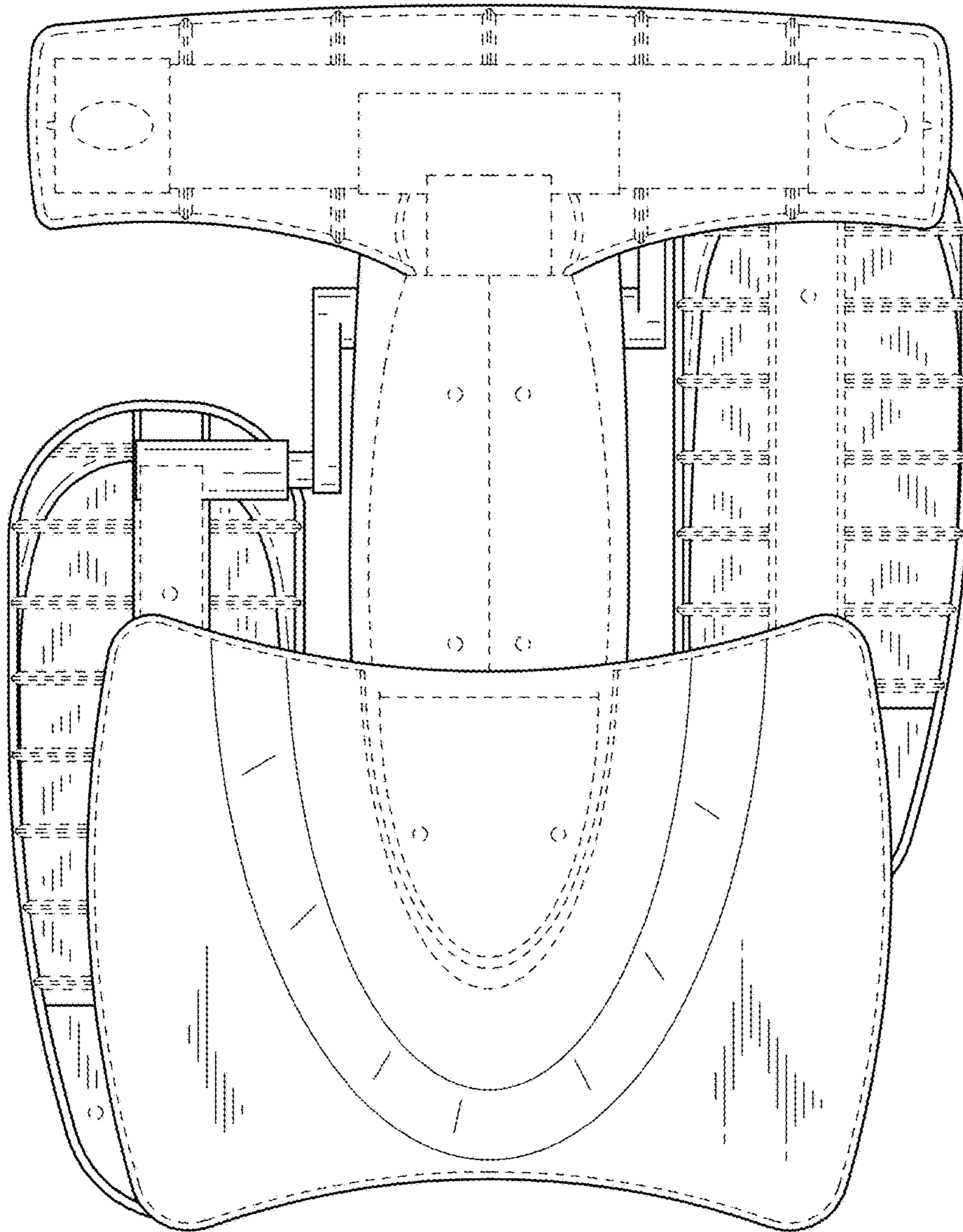


FIG. 4

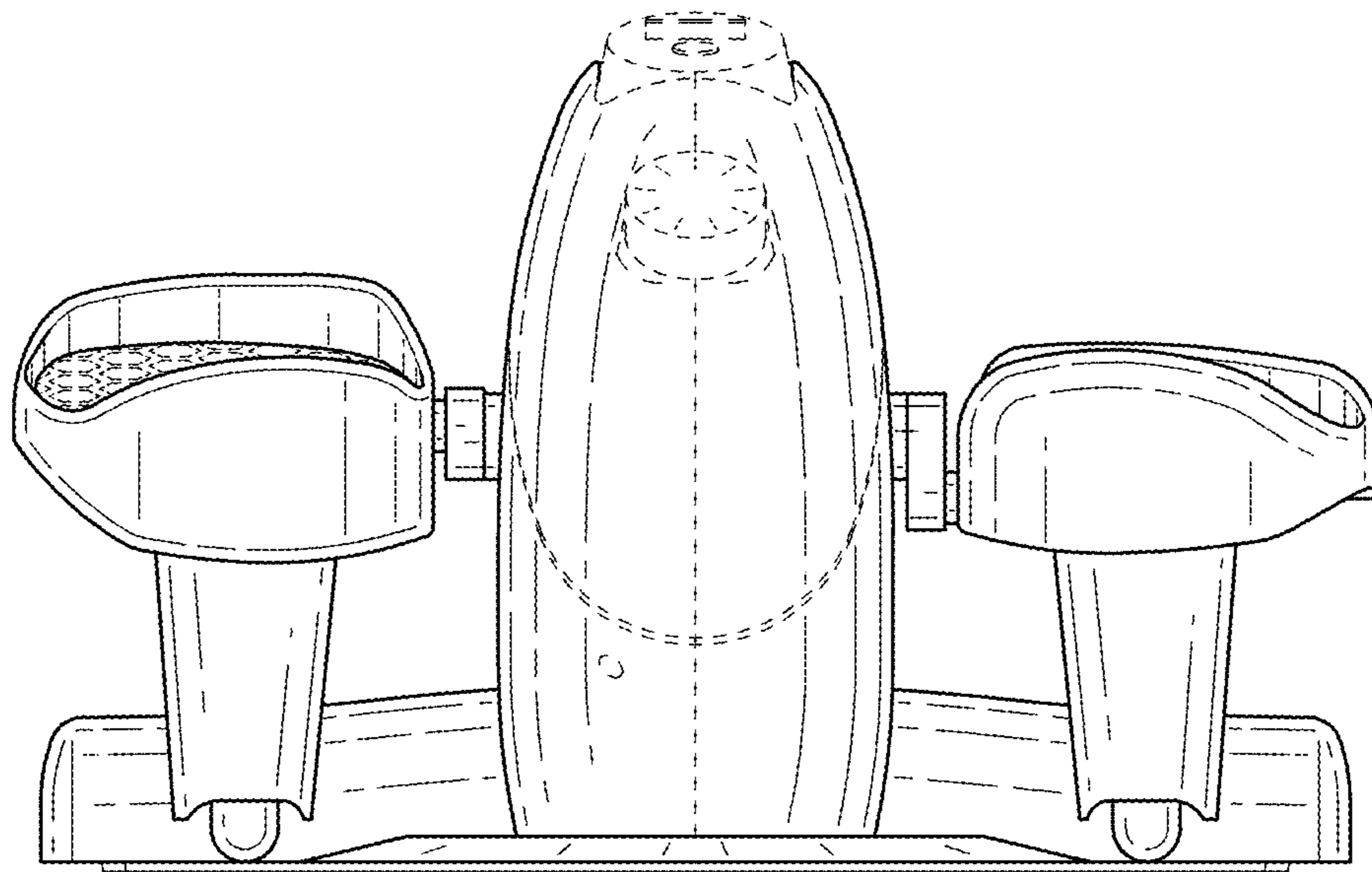


FIG. 5

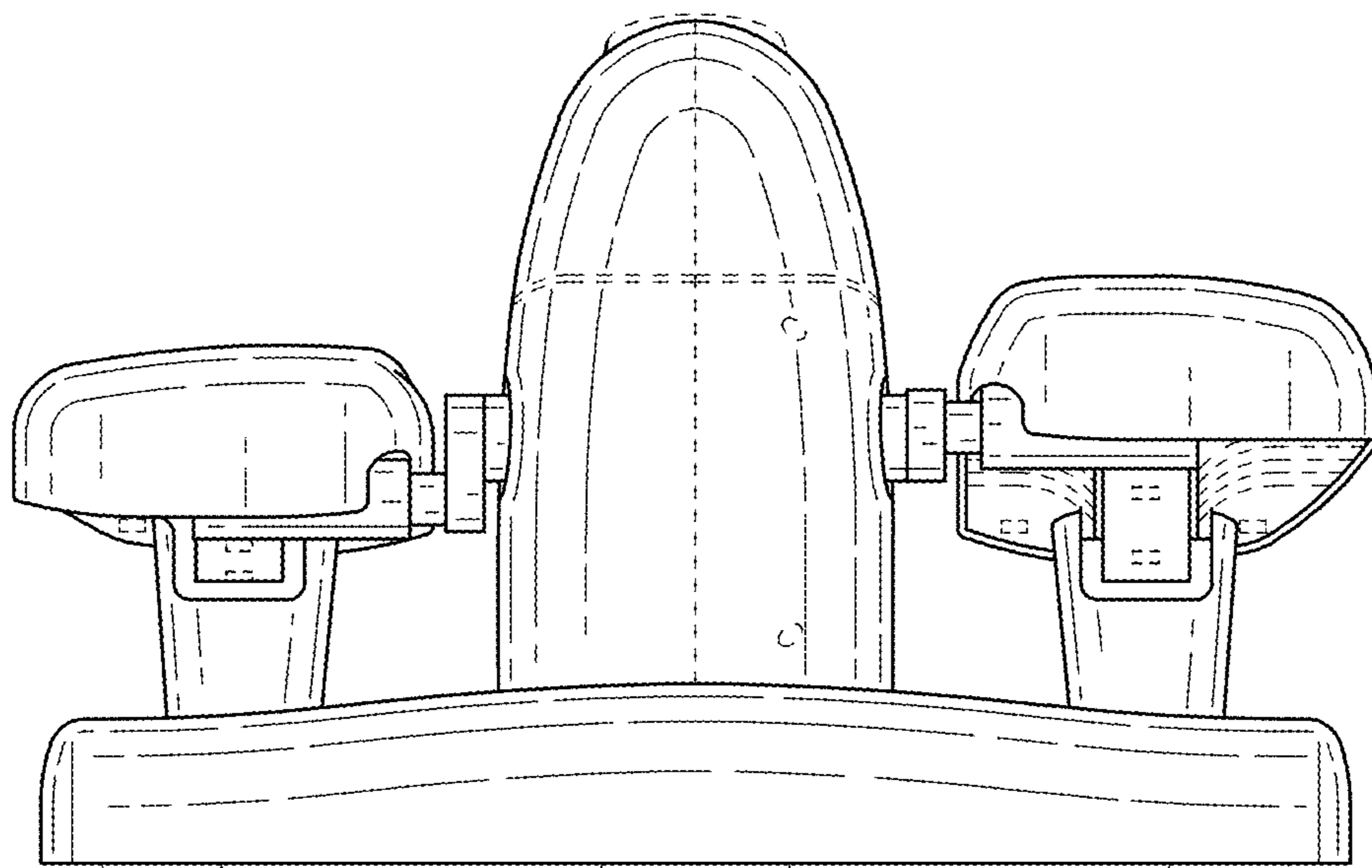


FIG. 6

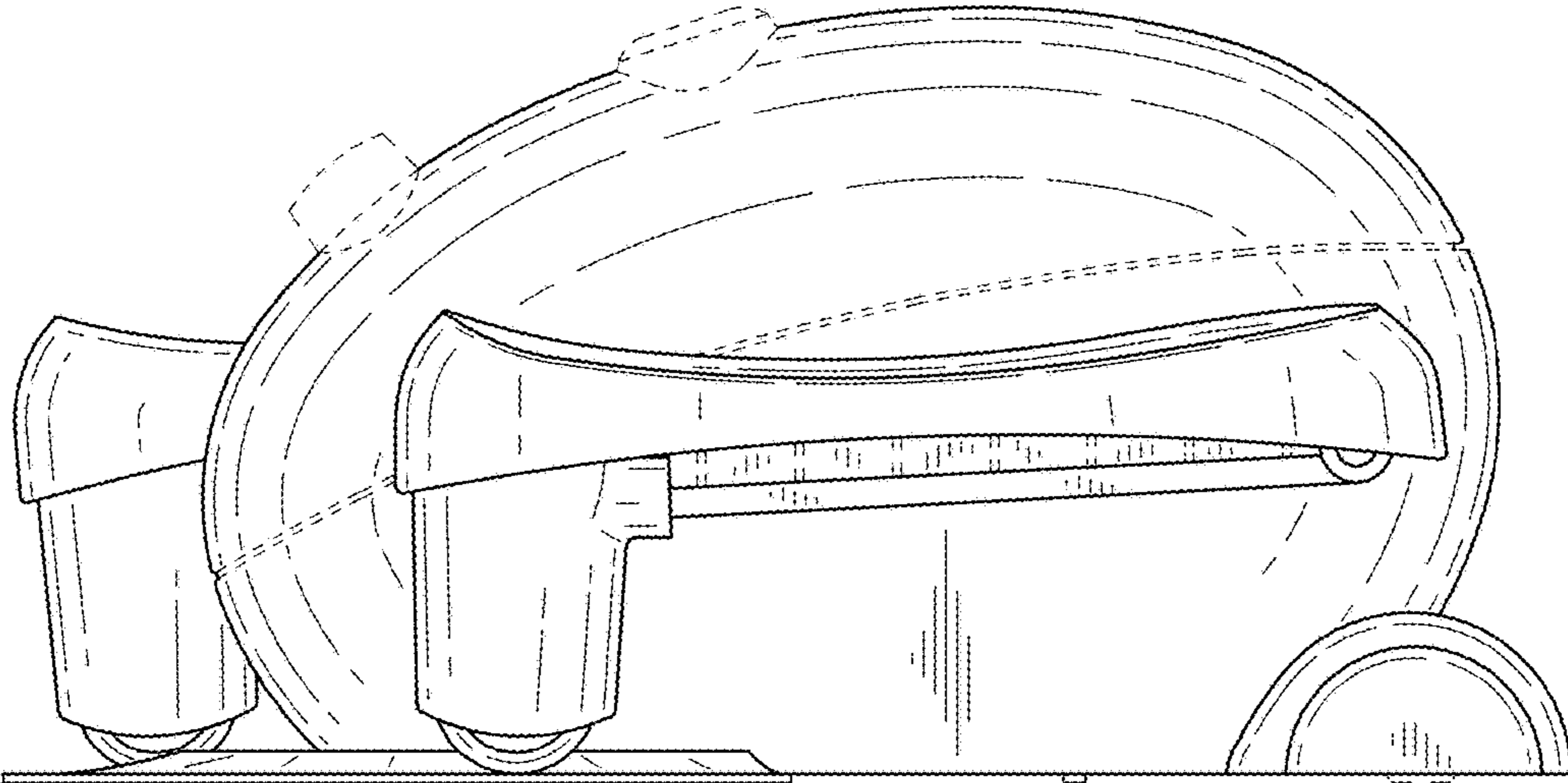


FIG. 7

