



US00D822772S

(12) **United States Design Patent**  
**Jorgenson et al.**

(10) **Patent No.:** **US D822,772 S**  
(45) **Date of Patent:** **\*\* Jul. 10, 2018**

- (54) **PORTABLE ROLLER DEVICE**
- (71) Applicant: **The Moovmnt LLC**, New York, NY (US)
- (72) Inventors: **Samuel C. Jorgenson**, New York, NY (US); **Daniel Giordano**, New York, NY (US); **Philippos Kyriacou**, Venice, CA (US); **Alexander L. Georg**, Brooklyn, NY (US)
- (73) Assignee: **The Moovmnt LLC**, New York, NY (US)

6,398,694 B1 \* 6/2002 Bountourakis ..... A63B 21/015  
482/109  
7,918,774 B2 \* 4/2011 Dye ..... A61H 15/0092  
482/132  
D637,244 S \* 5/2011 Davis ..... D21/662  
D643,540 S \* 8/2011 Jian ..... D24/211

(Continued)

*Primary Examiner* — Mark Goodwin  
(74) *Attorney, Agent, or Firm* — Lane Powell, PC

(\*\*) Term: **15 Years**

(21) Appl. No.: **29/595,249**

(22) Filed: **Feb. 27, 2017**

(51) **LOC (11) Cl.** ..... **21-02**

(52) **U.S. Cl.**  
USPC ..... **D21/662; D24/211**

(58) **Field of Classification Search**  
USPC ..... D24/200, 211, 212, 213, 214, 215;  
601/114, 120, 121, 124, 125, 130, 131,  
601/134, 135, 136, 137; D21/662, 679,  
D21/680, 684, 686, 692, 694  
CPC ..... A61H 19/30; A61H 19/32; A61H 19/34;  
A61H 19/40; A61H 19/44; A61H 19/50;  
A61H 19/00; A61H 2201/0153; A61H  
2201/0207; A61H 2201/0263; A61H  
2201/0111; A61H 2201/1253; A61H  
2205/082; A61H 2205/085; A61H  
15/0085

See application file for complete search history.

(56) **References Cited**

**U.S. PATENT DOCUMENTS**

5,143,056 A \* 9/1992 Yih-Jong ..... A61H 15/00  
601/118  
D361,132 S \* 8/1995 Lee ..... D24/200

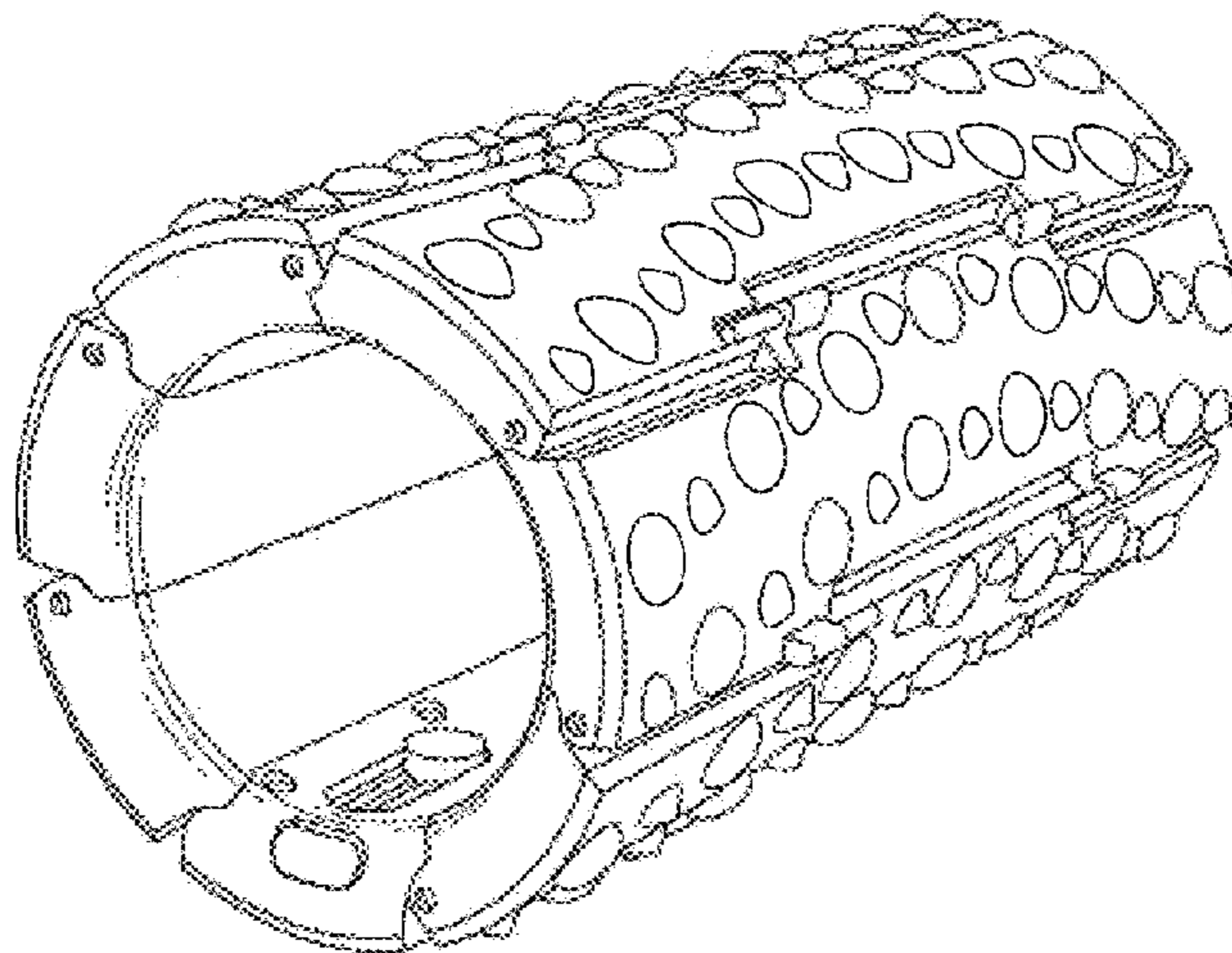
(57) **CLAIM**

The ornamental design for a portable roller device, as shown and described.

**DESCRIPTION**

FIG. 1 is a perspective view of a portable roller device embodying our design, with the portable roller device being depicted in a closed position;  
FIG. 2 is a side view of the portable roller device similar to FIG. 1, with the portable roller device being depicted in a closed position, with the opposite side view being a mirror image thereof;  
FIG. 3 is a different side view of the portable roller device similar to FIG. 1, with the portable roller device being depicted in a closed position, with the opposite side view being a mirror image thereof;  
FIG. 4 is a top perspective view of the portable roller device similar to FIG. 1, but depicting the portable roller device in an open position;  
FIG. 5 is a side view of the portable roller device similar to FIG. 4, with the portable roller device in an open position, with the opposite side view being a mirror image thereof;  
FIG. 6 is a top view of the portable roller device similar to FIG. 4, with the portable roller device in an open position; and,  
FIG. 7 is a bottom view of the portable roller device similar to FIG. 4, with the portable roller device in an open position. Any text in the figures are hereby, disclaimed, as any text is shown in broken lines.

**1 Claim, 5 Drawing Sheets**



(56)

**References Cited**

U.S. PATENT DOCUMENTS

D647,980	S *	11/2011	Davis	.....	D21/662
D660,450	S *	5/2012	Johnson	.....	D24/215
D670,817	S *	11/2012	Narevsky	.....	D24/211
D674,107	S *	1/2013	Prudent	.....	D24/211
D693,934	S *	11/2013	Lin	.....	D24/215
D713,050	S *	9/2014	Kao	.....	A61H 15/00 D24/211
D737,456	S *	8/2015	McDonough	.....	D24/211
D749,233	S *	2/2016	Phillips	.....	A61H 15/0092 D24/211
9,597,254	B1 *	3/2017	Bhatt	.....	A61H 7/007
D788,313	S *	5/2017	Lawrie	.....	D24/211
9,668,933	B1 *	6/2017	Johnson	.....	A61H 15/00
2008/0090707	A1 *	4/2008	Dye	.....	A61H 15/0092 482/132
2012/0065557	A1 *	3/2012	Phillips	.....	A61H 15/0092 601/99
2013/0261517	A1 *	10/2013	Rodgers	.....	A61H 7/00 601/121
2014/0128786	A1 *	5/2014	Ross	.....	A61H 15/0092 601/118

\* cited by examiner

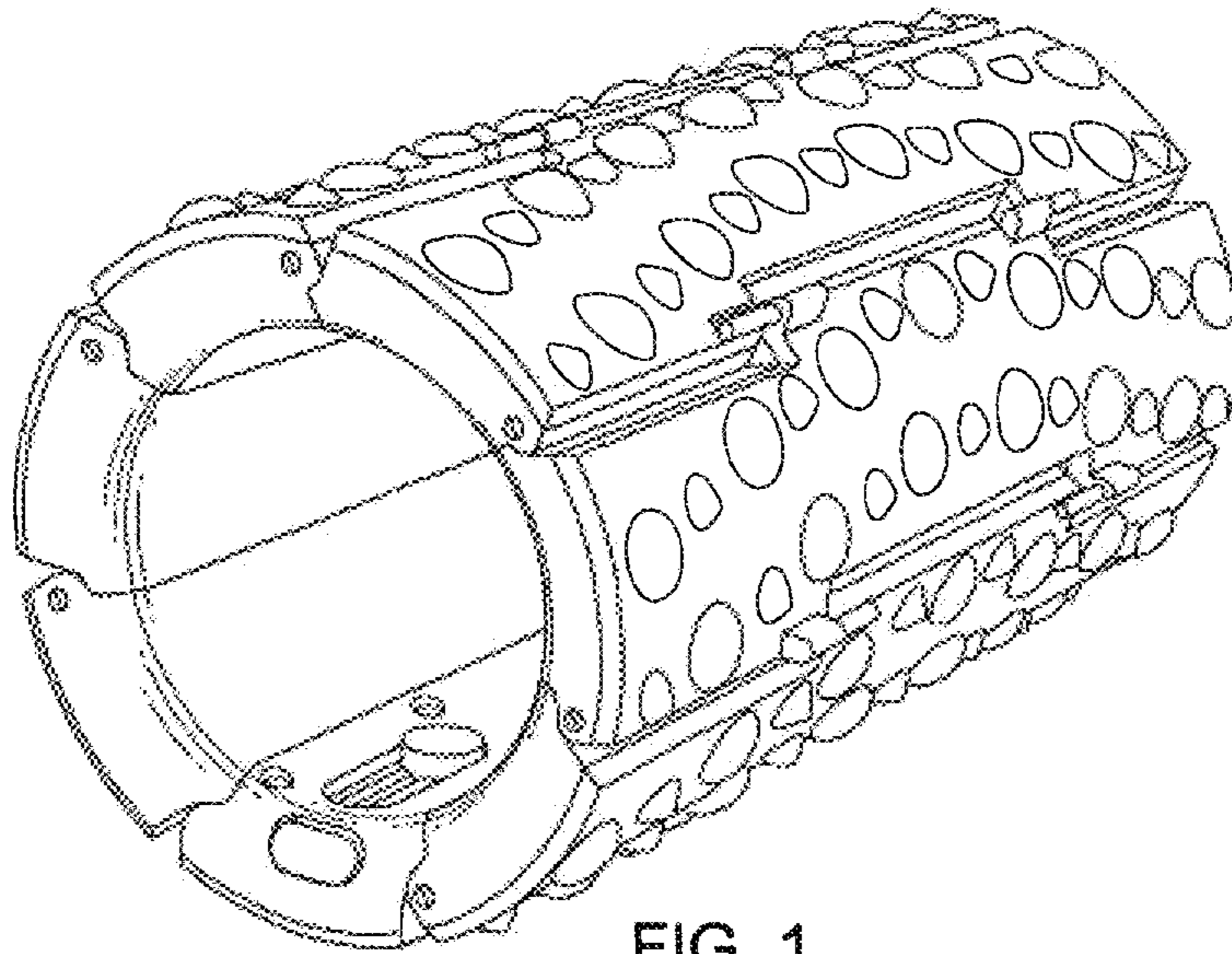


FIG. 1

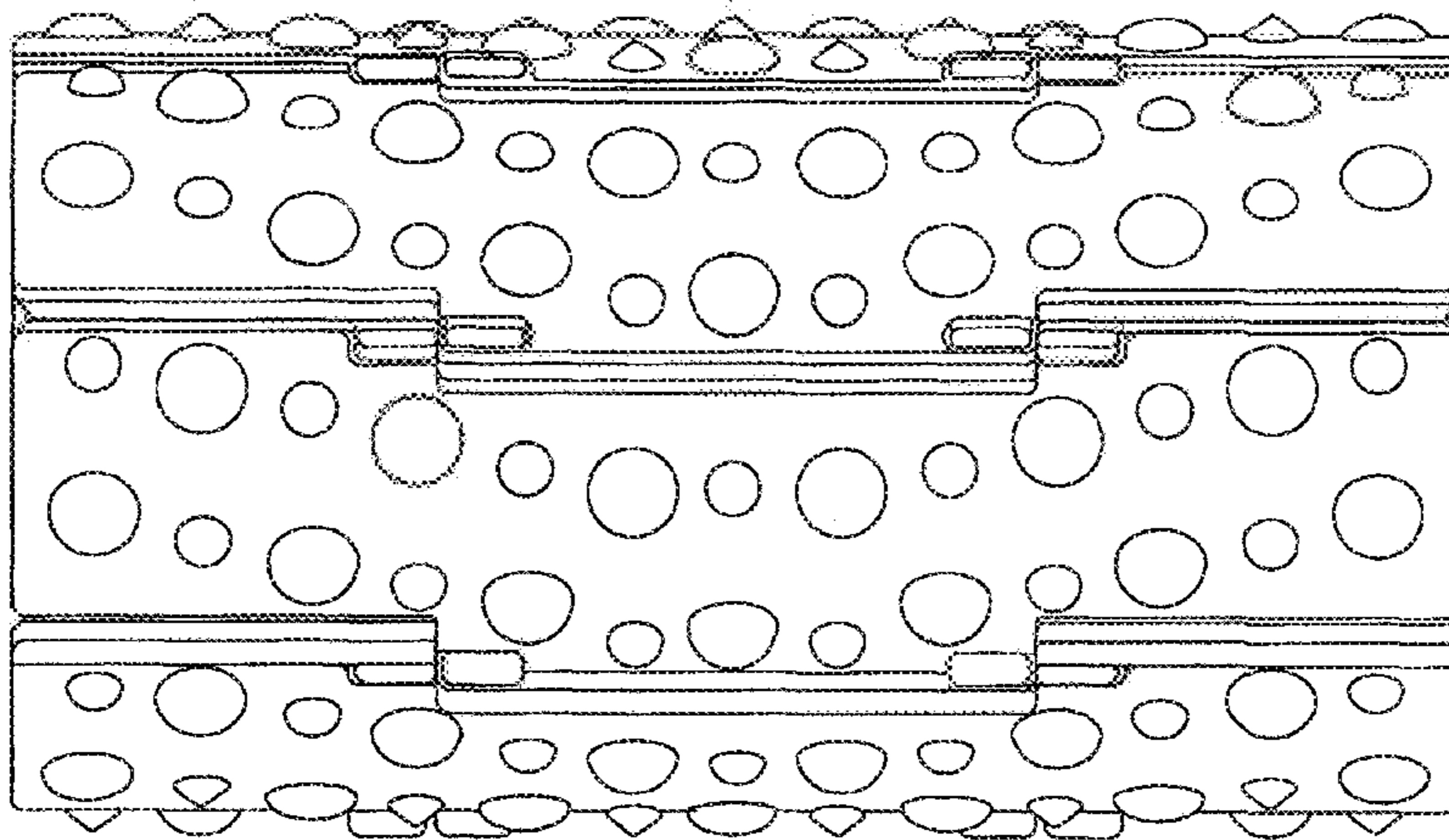


FIG. 2



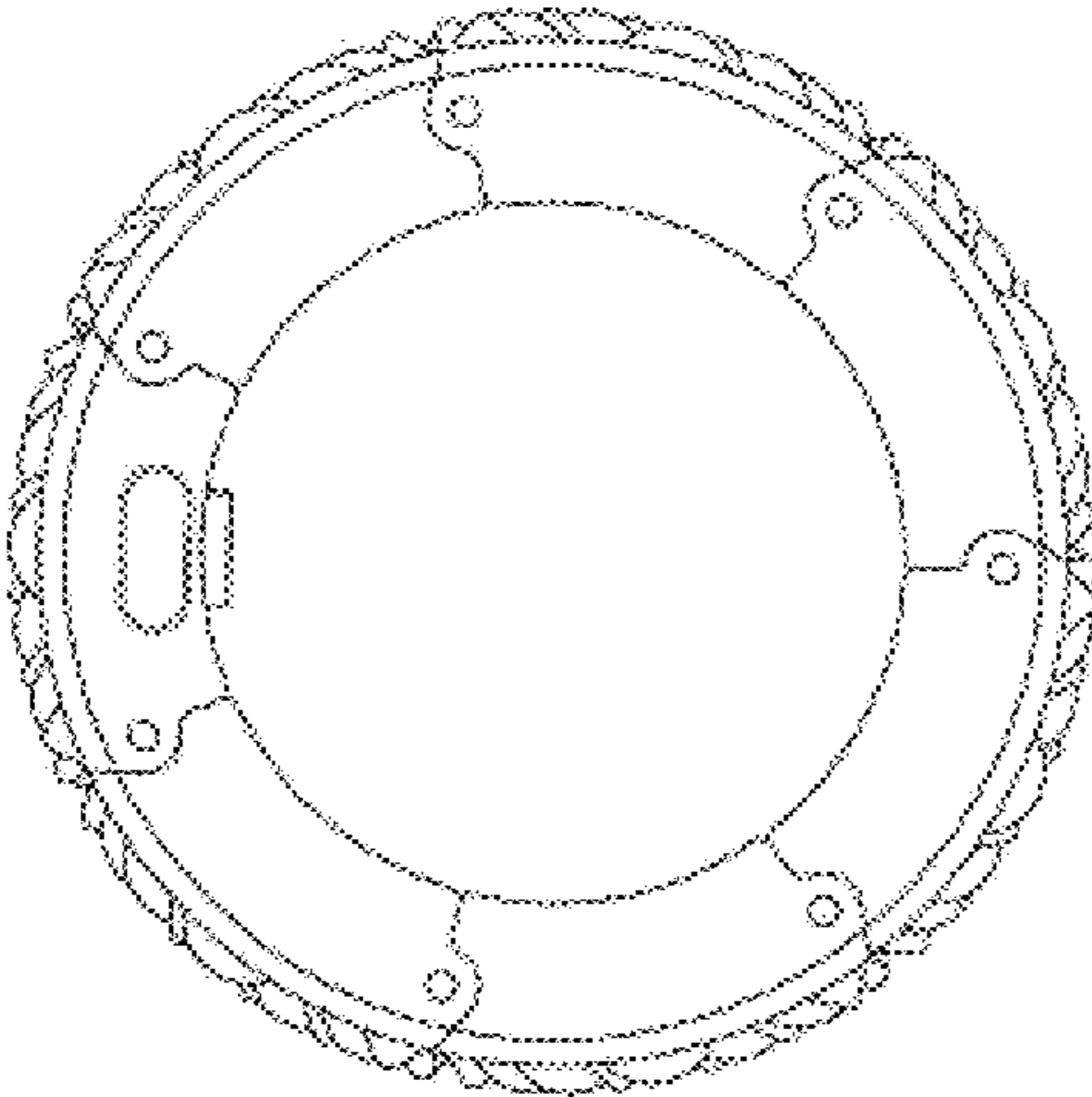


FIG. 3

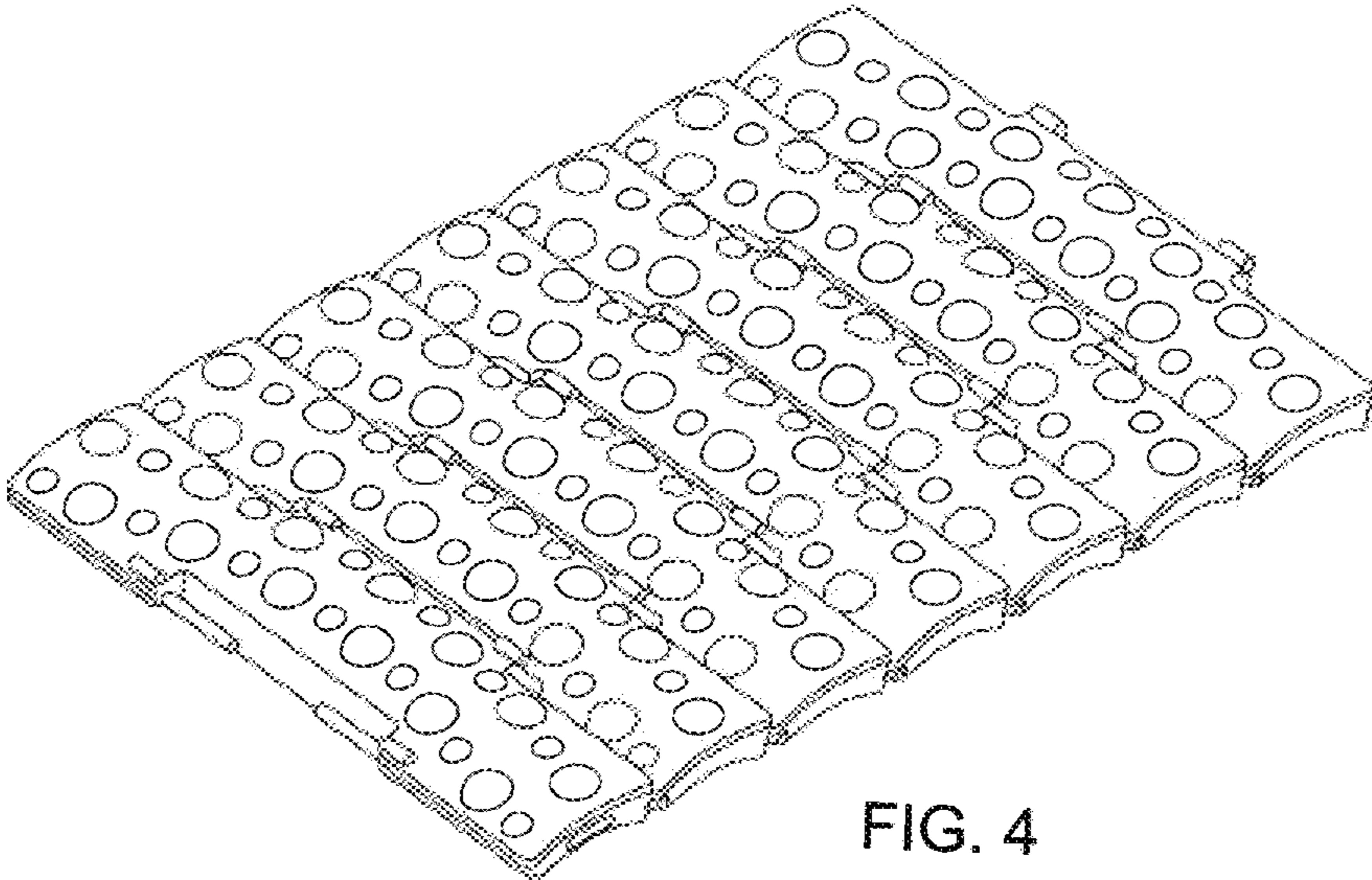


FIG. 4



FIG. 5

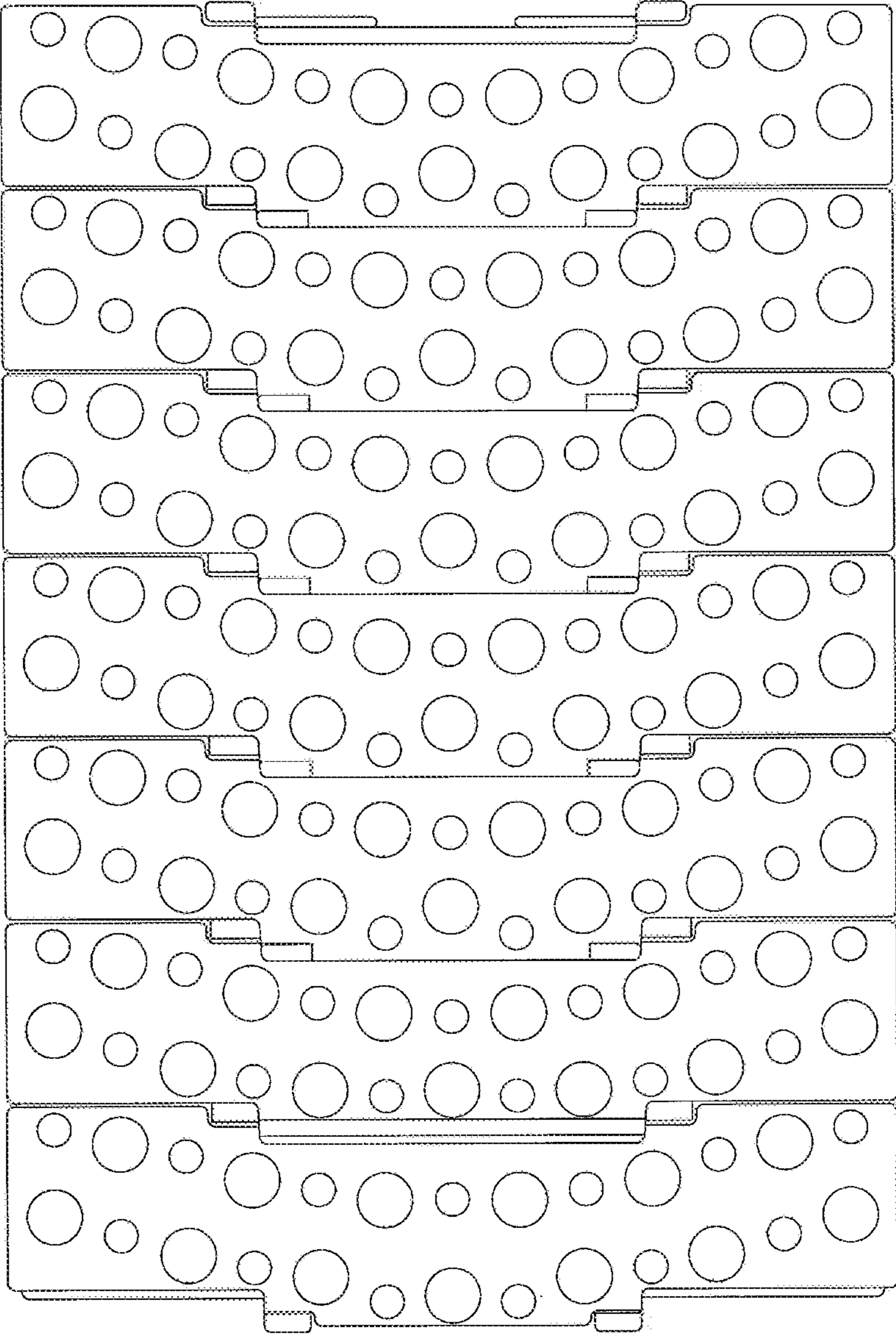


FIG. 6

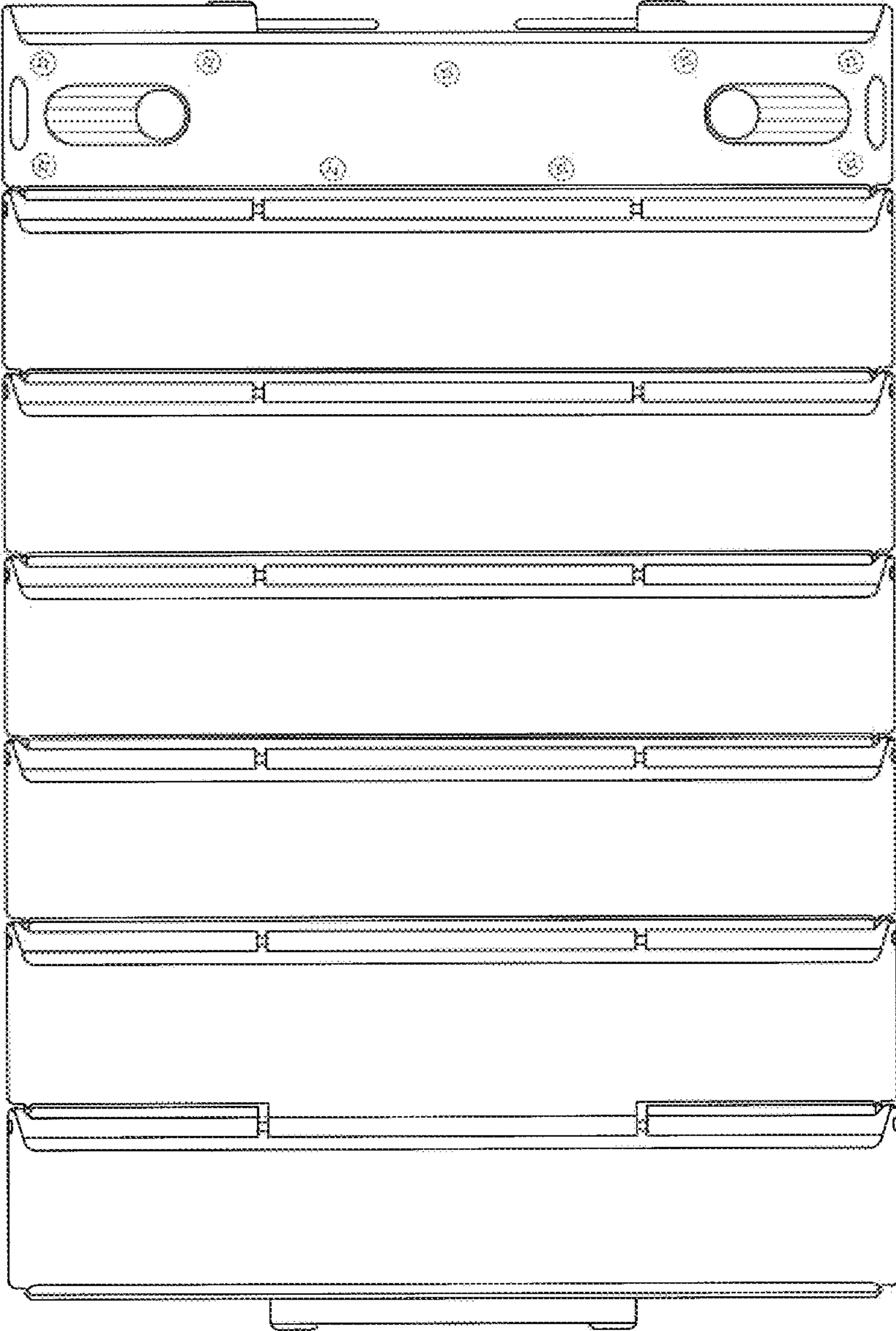


FIG. 7