



US00D822769S

(12) **United States Design Patent** (10) **Patent No.:** **US D822,769 S**  
**Tatopoulos et al.** (45) **Date of Patent:** **\*\* Jul. 10, 2018**

(54) **VEHICLE AND/OR REPLICA THEREOF**

(71) Applicant: **DC Comics**, New York, NY (US)

(72) Inventors: **Patrick Tatopoulos**, New York, NY (US); **Edwin Natividad**, New York, NY (US); **Joseph Hiura**, New York, NY (US); **Kevin Ishioka**, New York, NY (US)

(73) Assignee: **DC Comics**, Burbank, CA (US)

(\*\*) Term: **14 Years**

(21) Appl. No.: **29/520,169**

(22) Filed: **Mar. 11, 2015**

(30) **Foreign Application Priority Data**

Sep. 11, 2014 (GB) ..... 4037092  
Sep. 11, 2014 (GB) ..... 4037093  
Sep. 11, 2014 (GB) ..... 4037094  
Nov. 11, 2014 (JP) ..... 2014-025113  
Nov. 11, 2014 (JP) ..... 2014-025114

(51) **LOC (11) Cl.** ..... **21-01**

(52) **U.S. Cl.**  
USPC ..... **D21/533**; D12/83

(58) **Field of Classification Search**  
USPC ..... D21/533, 548, 549, 550, 560; 446/154, 446/164, 231, 233, 236-242, 265, 266, 446/273, 437, 462, 465, 470; D12/86, D12/88, 92, 108  
CPC .... A63H 17/26; A63H 17/262; A63H 17/264; A63H 17/266; A63H 17/36; A63H 17/38; A63H 29/00; A63H 29/22; A63H 29/24; A63H 30/04

See application file for complete search history.

(56) **References Cited**

**U.S. PATENT DOCUMENTS**

D266,342 S \* 9/1982 Wilkes ..... D21/549  
D311,882 S \* 11/1990 Furst ..... D12/92

D317,485 S \* 6/1991 Mochizuki ..... D21/550  
D317,486 S \* 6/1991 Fujinami ..... D21/550  
D318,924 S \* 8/1991 Yoshino ..... D21/550  
D375,704 S \* 11/1996 Flattery ..... D12/86

(Continued)

*Primary Examiner* — Cynthia M Chin

(74) *Attorney, Agent, or Firm* — Banner & Witcoff, Ltd.

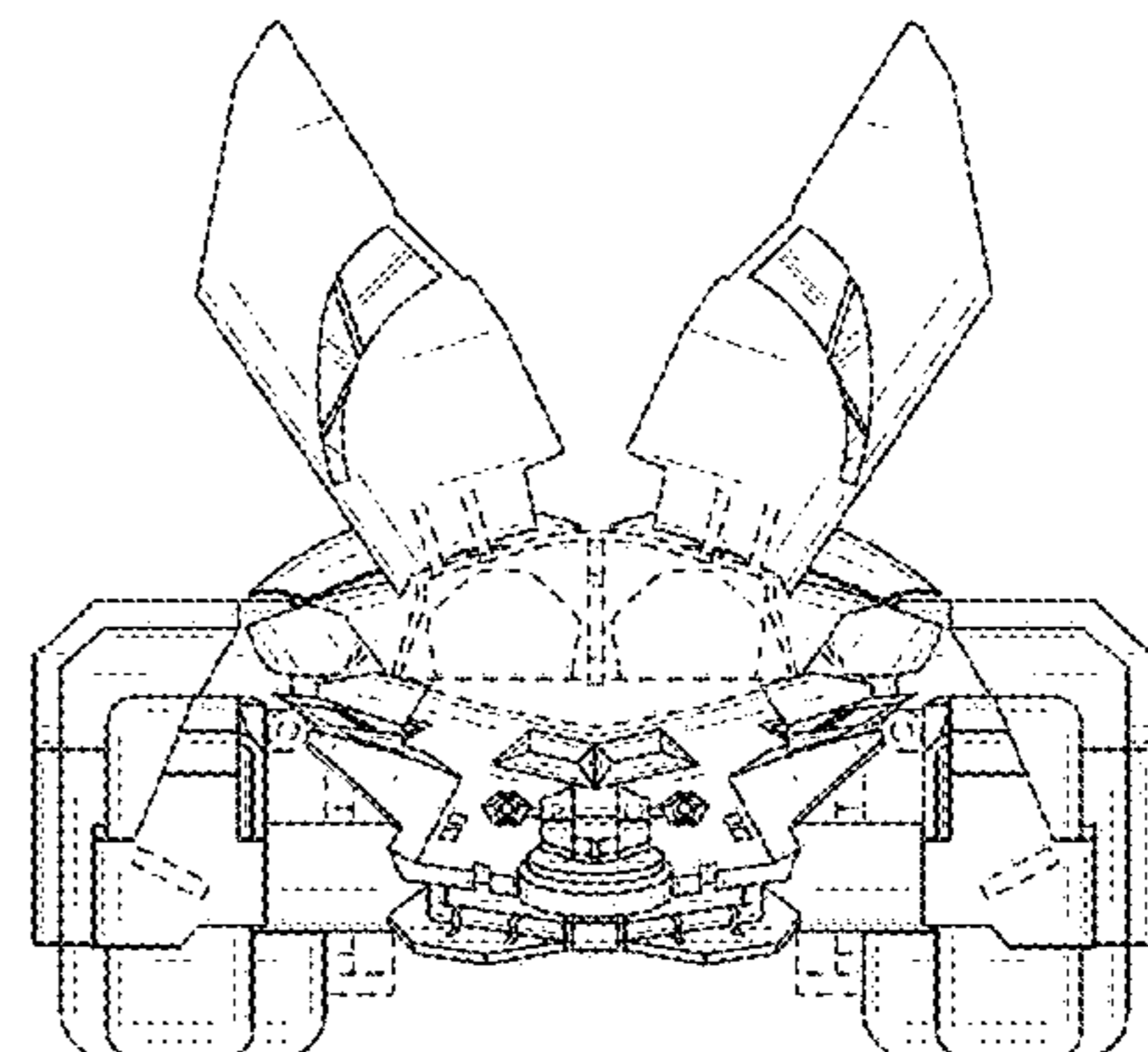
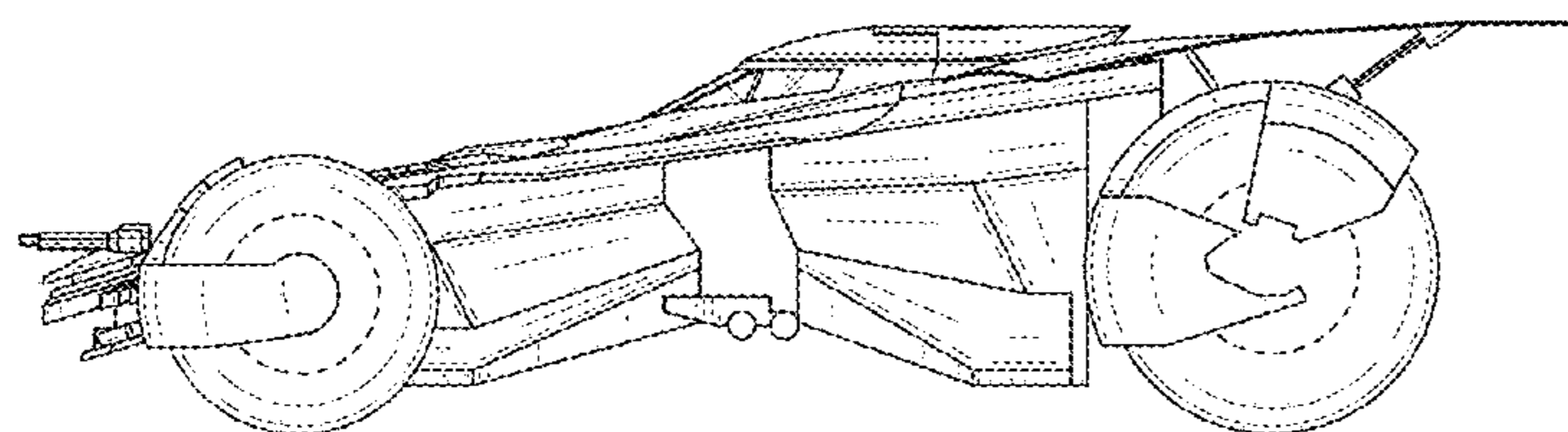
(57) **CLAIM**

The ornamental design for a vehicle and/or replica thereof, as shown and described.

**DESCRIPTION**

FIG. 1 is a left side view of a vehicle and/or replica thereof showing our new design, the right side view being a mirror image thereof;  
FIG. 2 is a left side view of the vehicle and/or replica thereof of FIG. 1 shown with the doors in an open position, the right side view being a mirror image thereof;  
FIG. 3 is a front view thereof;  
FIG. 4 is a rear view thereof;  
FIG. 5 is a front view thereof shown with the doors in an open position;  
FIG. 6 is a top view thereof;  
FIG. 7 is a bottom view thereof;  
FIG. 8 is a perspective of selected side panels from FIGS. 1 and 2 shown in isolation for clarity purpose;  
FIG. 9 is a cross section showing the profile of the side door panel, taken through Line 9-9 of FIG. 2;  
FIG. 10 is a cross section showing the profile of the side door panel, taken through Line 10-10 of FIG. 2; and,  
FIG. 11 is a cross section showing the profile of the side door panel, taken through Line 11-11 of FIG. 2.  
The unshaded surfaces are included to identify parts of the vehicle and/or replica that form no part of the claimed design. The broken lines are for the purpose of illustrating portions of the vehicle and/or replica that form no part of the claim.

**1 Claim, 5 Drawing Sheets**



(56)

**References Cited**

U.S. PATENT DOCUMENTS

D396,662 S *	8/1998	Belker .....	D12/86
D513,630 S *	1/2006	Wei .....	D21/550
D531,233 S *	10/2006	Proch .....	D21/433
D568,419 S *	5/2008	Tombazis .....	D21/549
D690,372 S *	9/2013	Fujiwara .....	D21/550
D691,676 S *	10/2013	Bleyer .....	D21/548
D695,148 S *	12/2013	Bowlby .....	D12/88
D707,590 S *	6/2014	Bowlby .....	D12/88
D729,695 S *	5/2015	Bowlby .....	D12/88
D732,426 S *	6/2015	Bowlby .....	D12/88
D755,906 S *	5/2016	Newey .....	D21/550

\* cited by examiner

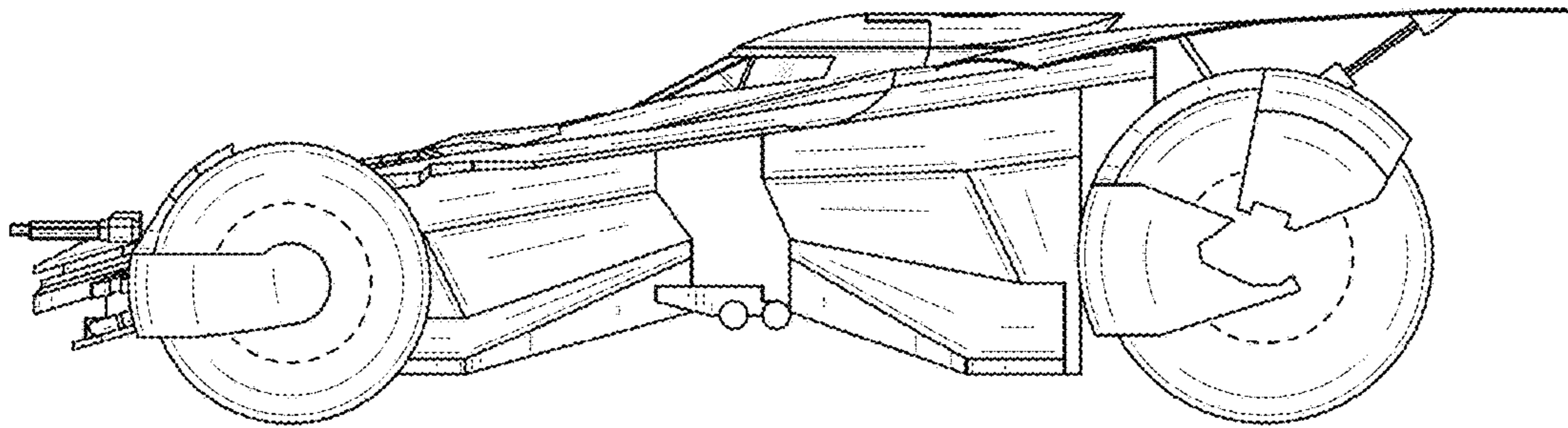


FIG. 1

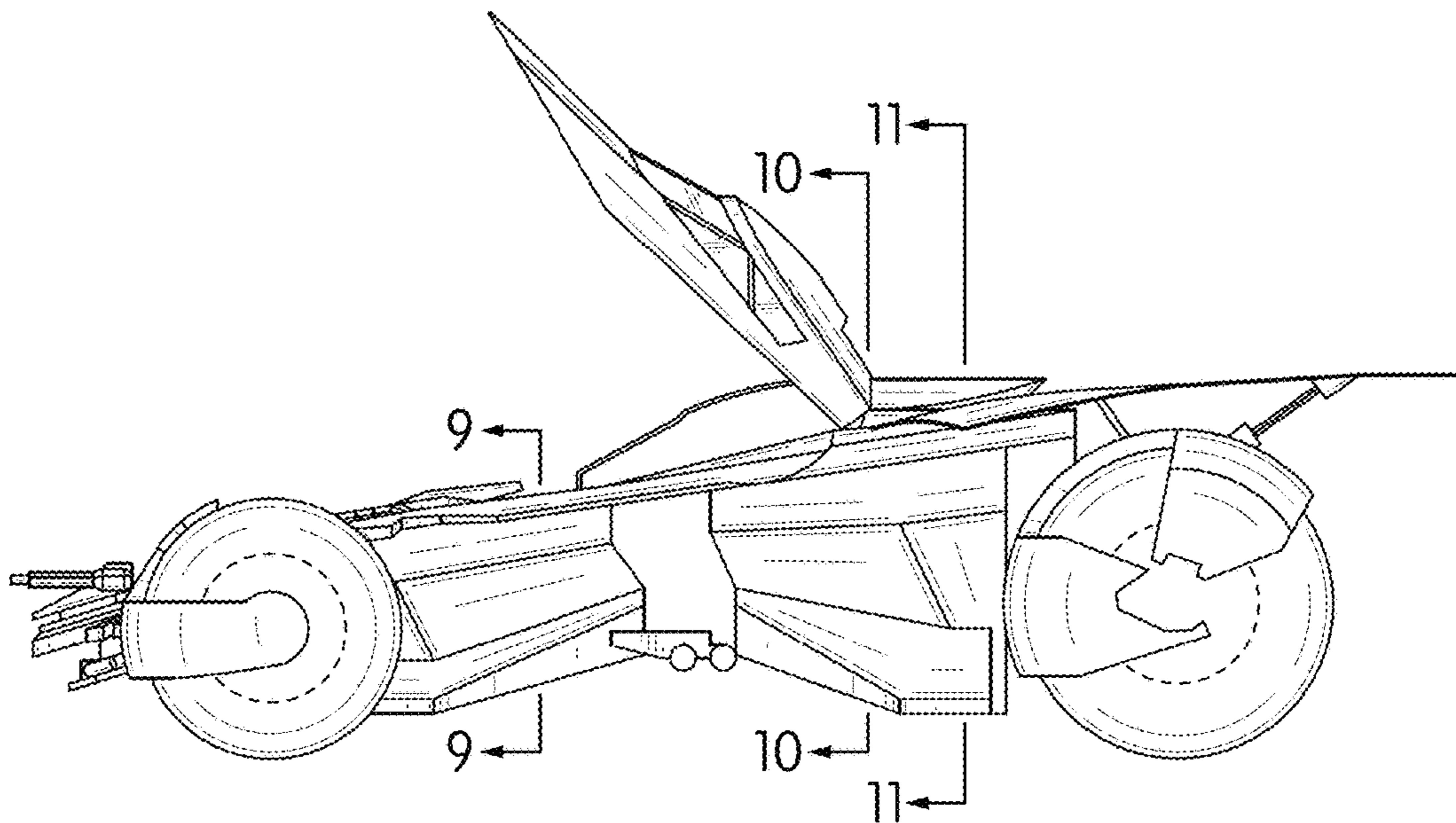


FIG. 2



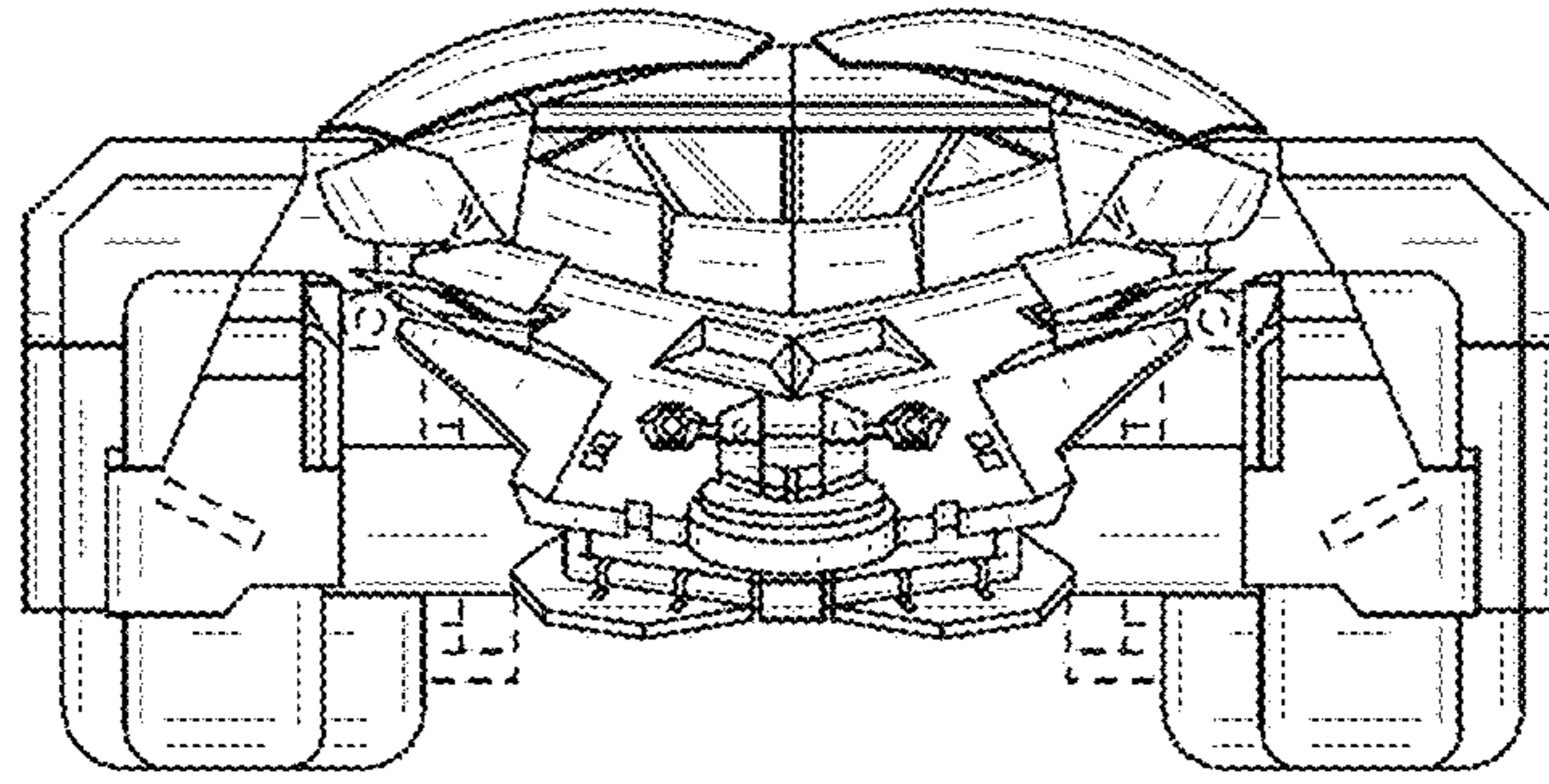


FIG. 3

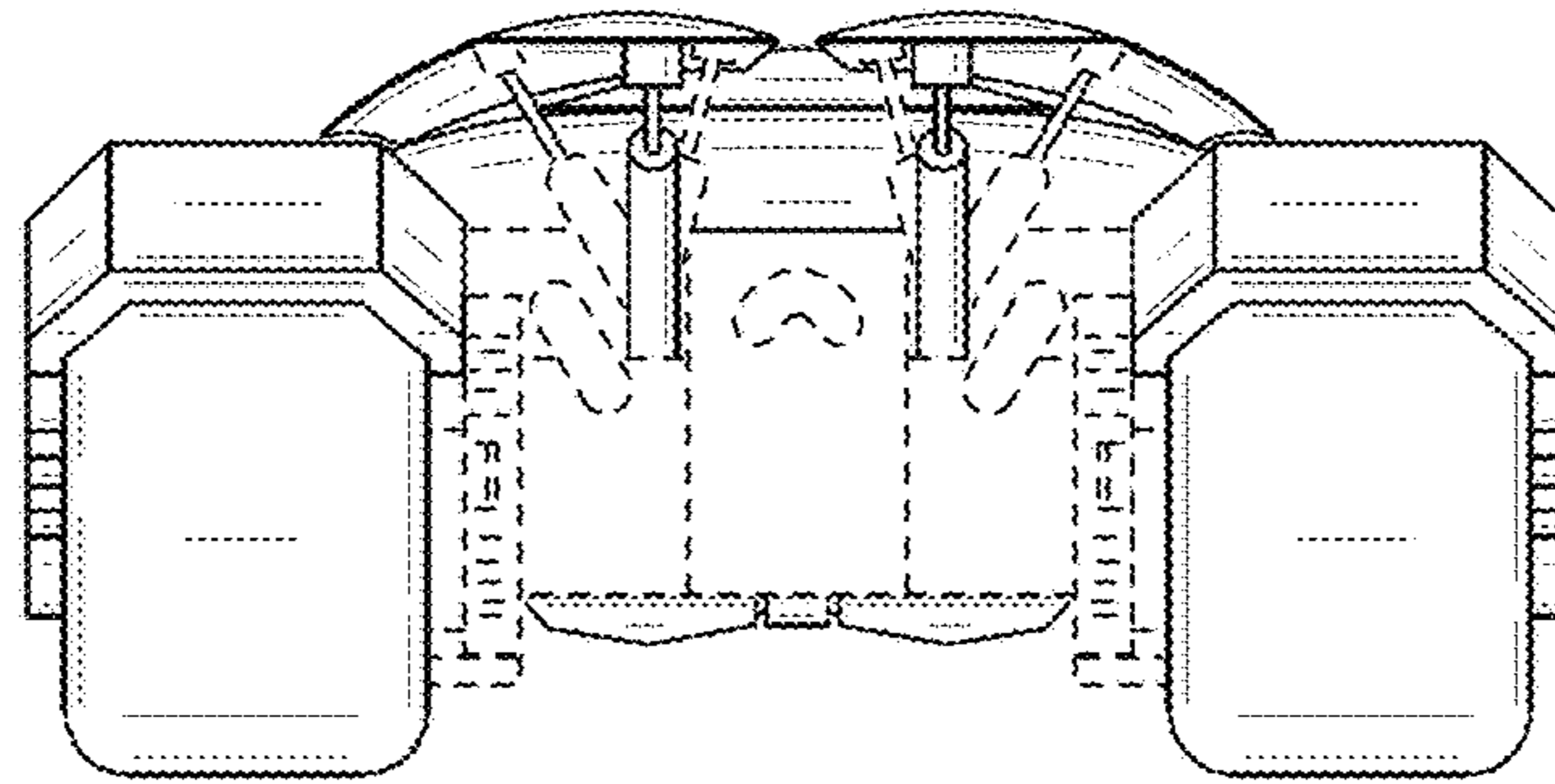


FIG. 4

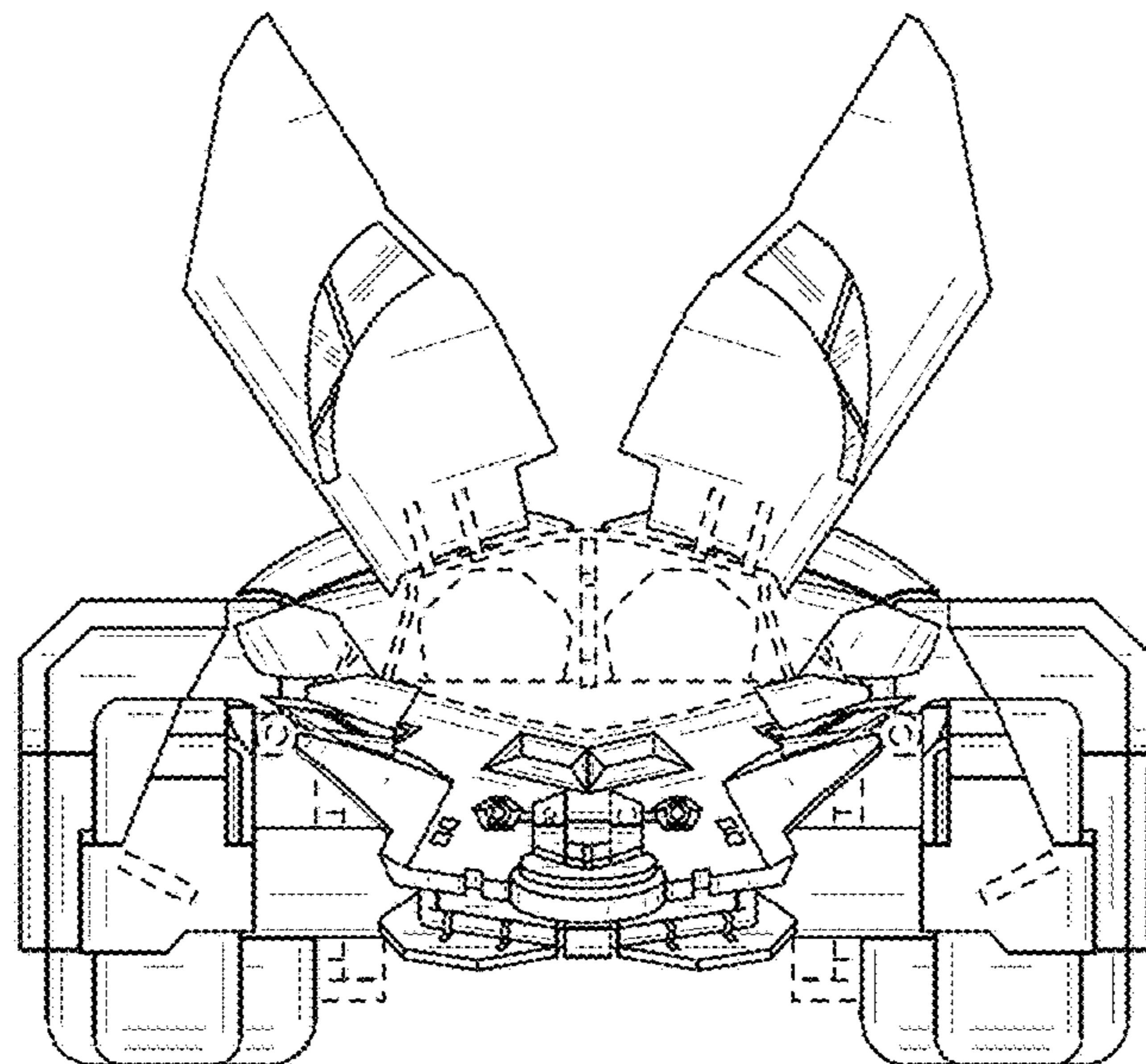


FIG. 5

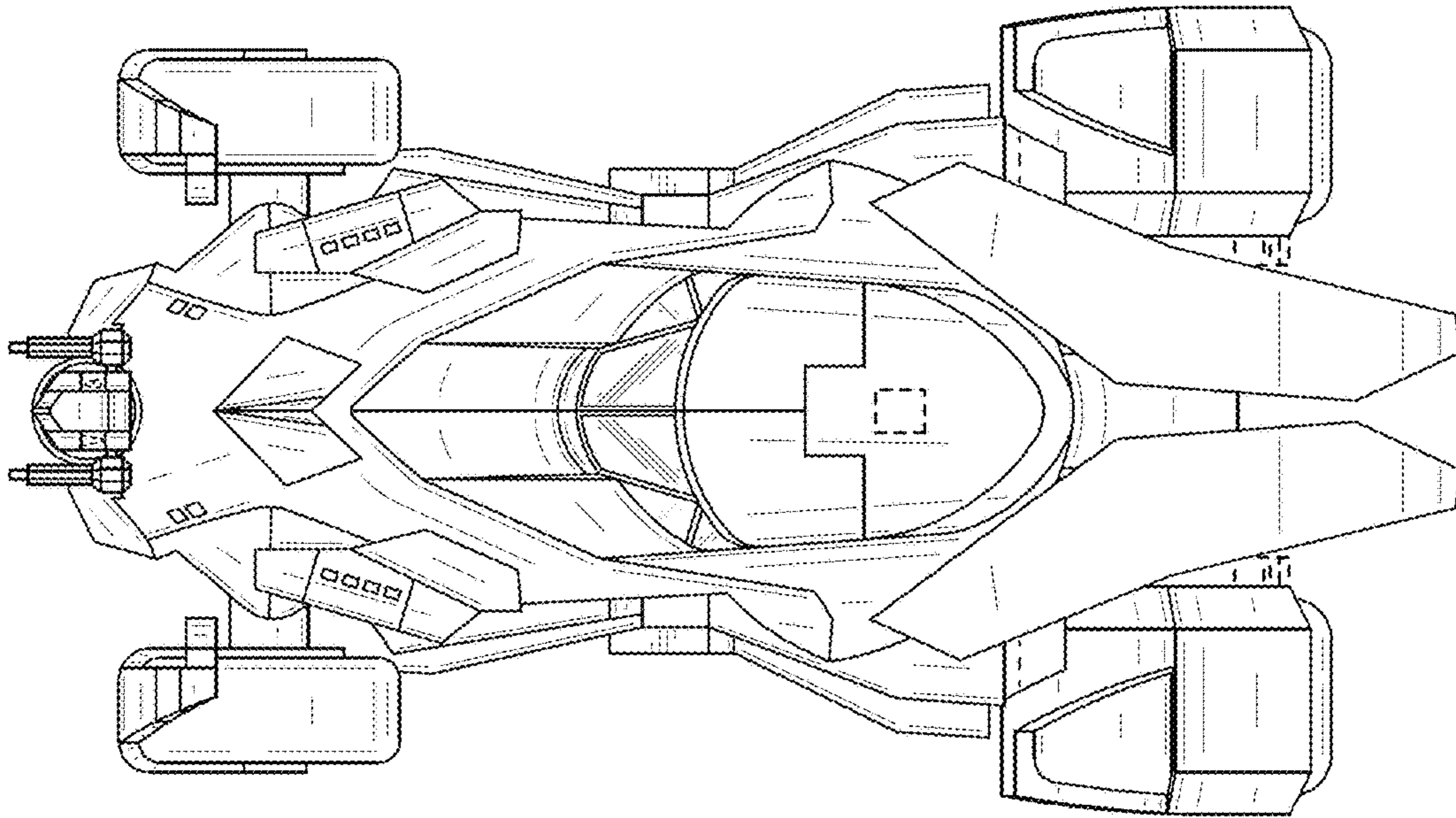


FIG. 6

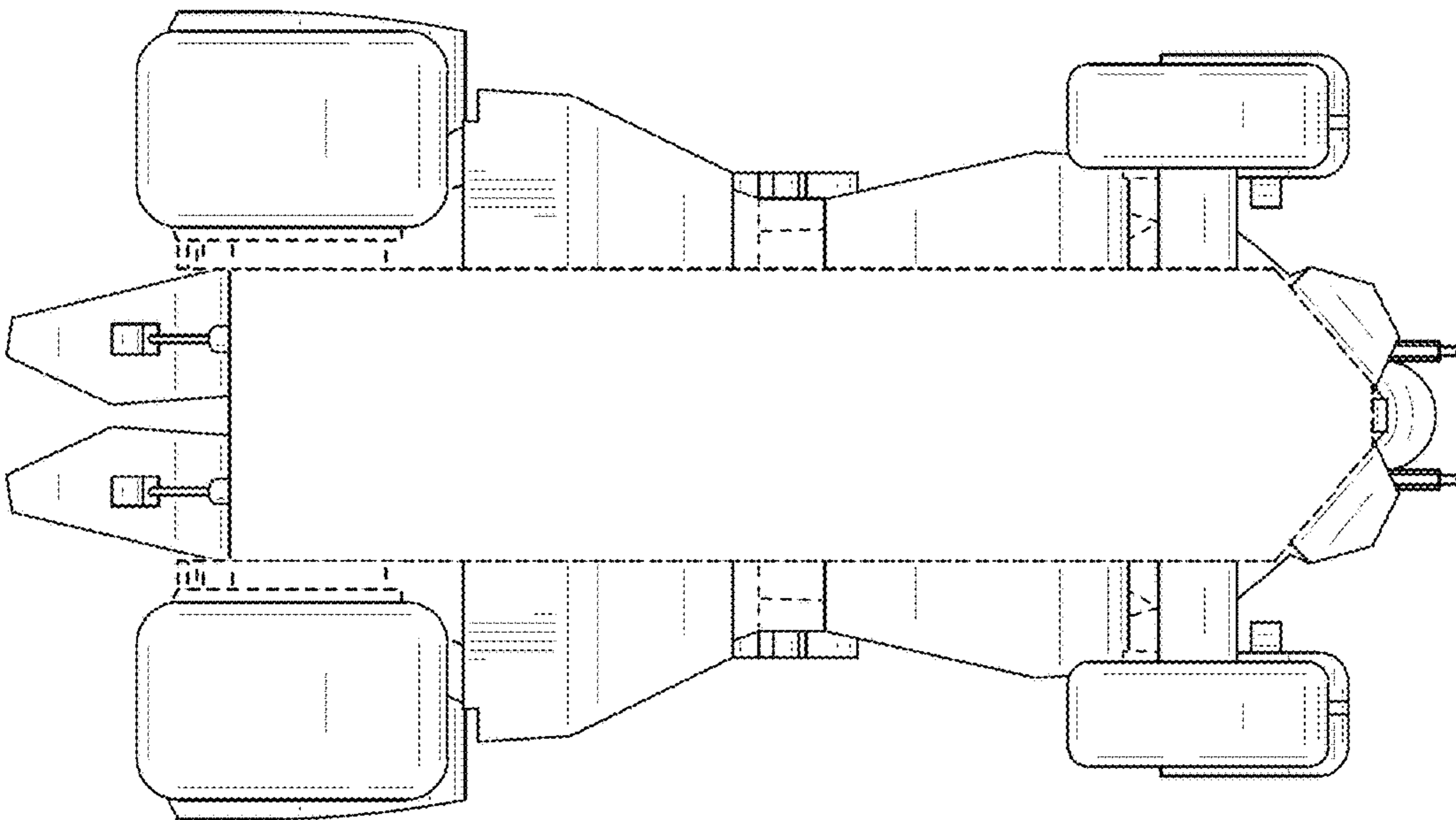


FIG. 7

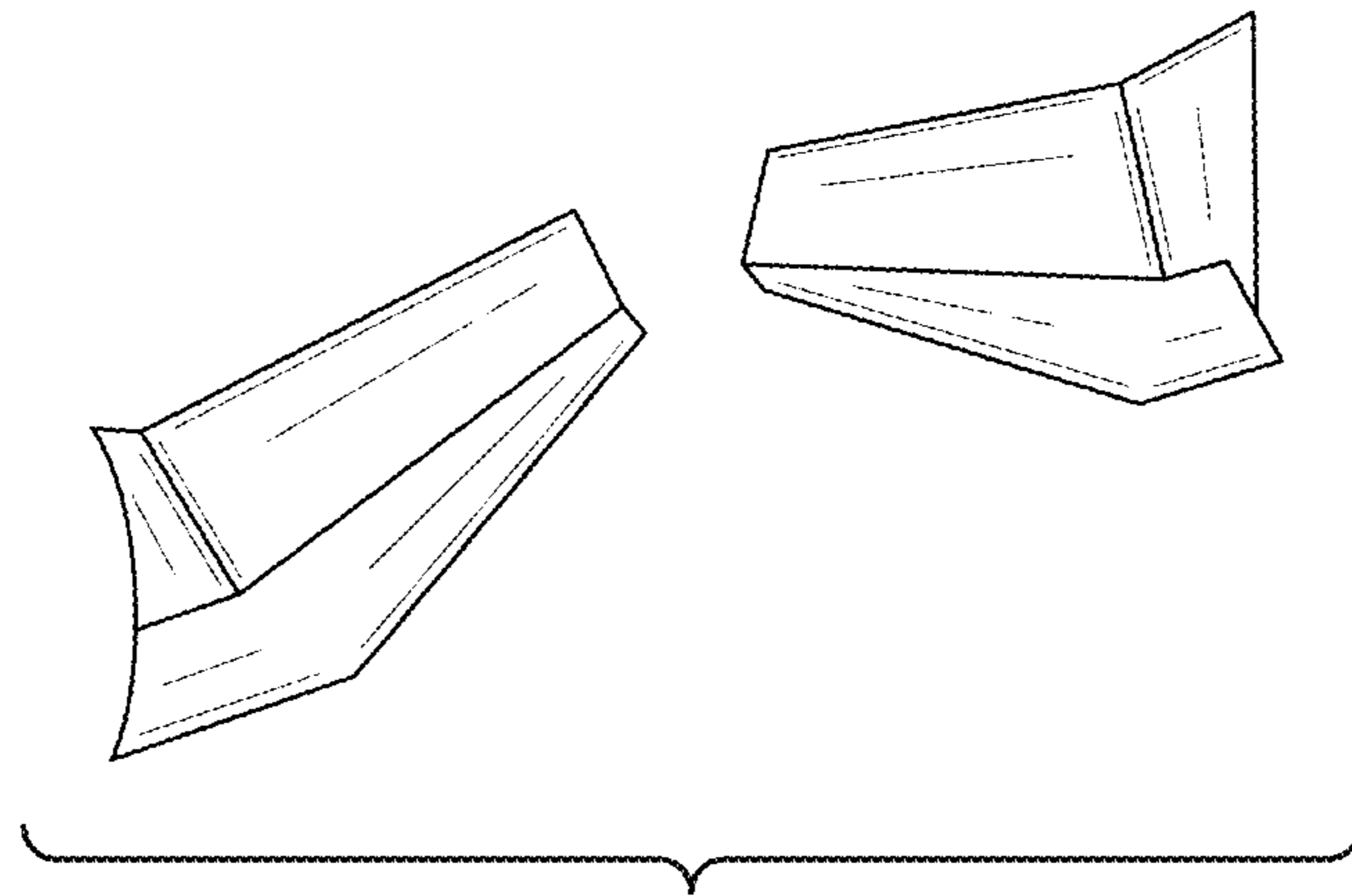


FIG. 8



FIG. 9



FIG. 10

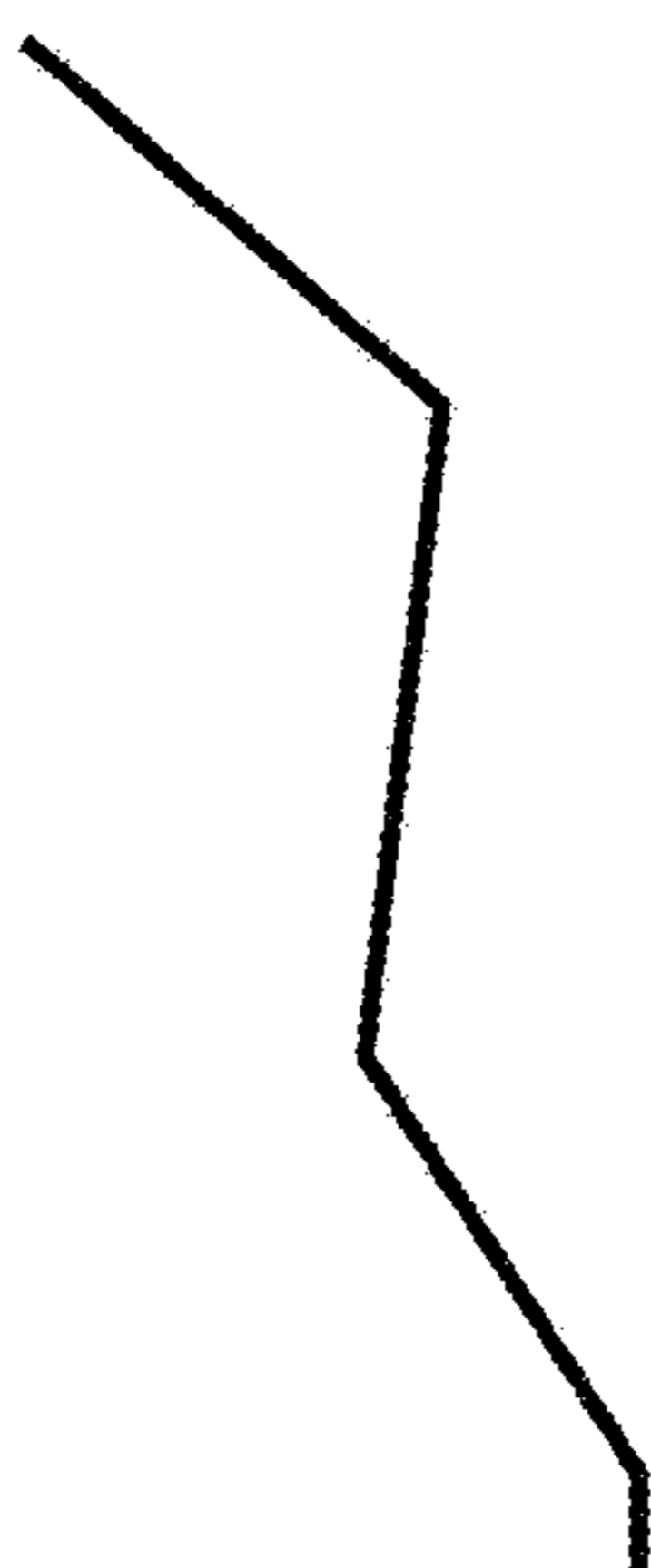


FIG. 11