



US00D822766S

(12) **United States Design Patent**  
**Costa**

(10) **Patent No.:** **US D822,766 S**  
(45) **Date of Patent:** **\*\* Jul. 10, 2018**

- (54) **GAMING MACHINE**
- (71) Applicant: **FBM Systems and Electronics, Inc.,**  
Olongapo (PH)
- (72) Inventor: **Amarilio do Amaral Duarte Costa,**  
Olongapo (PH)
- (73) Assignee: **FBM Systems and Electronics, Inc.,**  
Olongapo (PH)
- (\*\*) Term: **15 Years**
- (21) Appl. No.: **29/604,454**
- (22) Filed: **May 17, 2017**
- (51) **LOC (11) Cl.** ..... **21-01**
- (52) **U.S. Cl.**  
USPC ..... **D21/325; D14/172; D14/369**
- (58) **Field of Classification Search**  
USPC ..... D14/172, 173, 203.1–203.7, 496, 188,  
D14/265; D21/324, 325, 369;  
273/148 B; 463/1, 28–35, 46, 47; 369/1,  
369/6–12, 24.01, 30.06, 30.07, 30.08,  
369/30.23; 710/1; 711/100, 111  
CPC ..... A63F 9/00; A63F 9/24; A63F 1/00; A63F  
3/00; G07F 17/32; G07F 17/3211; G07F  
17/3216; G07F 17/322; G07F 17/3272;  
G07F 17/3283  
See application file for complete search history.

- D449,346 S \* 10/2001 Gatto ..... D21/325
- 6,481,713 B2 \* 11/2002 Perrie ..... G07F 17/34  
273/142 R
- D496,407 S \* 9/2004 Gadda ..... D21/325
- D525,665 S \* 7/2006 Karlsson ..... D21/329
- D559,917 S \* 1/2008 Cole ..... D21/369
- D596,678 S \* 7/2009 Myers ..... D21/370
- D608,396 S \* 1/2010 Wang ..... D21/325
- D623,240 S \* 9/2010 Osuka ..... D21/369
- 7,789,760 B2 \* 9/2010 Roireau ..... G07F 17/3202  
463/20
- D637,238 S \* 5/2011 O'Keene ..... D21/370
- D693,884 S 11/2013 Galdini Ferrazoli
- D706,741 S \* 6/2014 Myers ..... D14/172

\* cited by examiner

*Primary Examiner* — Prabhakar Deshmukh  
(74) *Attorney, Agent, or Firm* — Margaret S. Millikin

(57) **CLAIM**

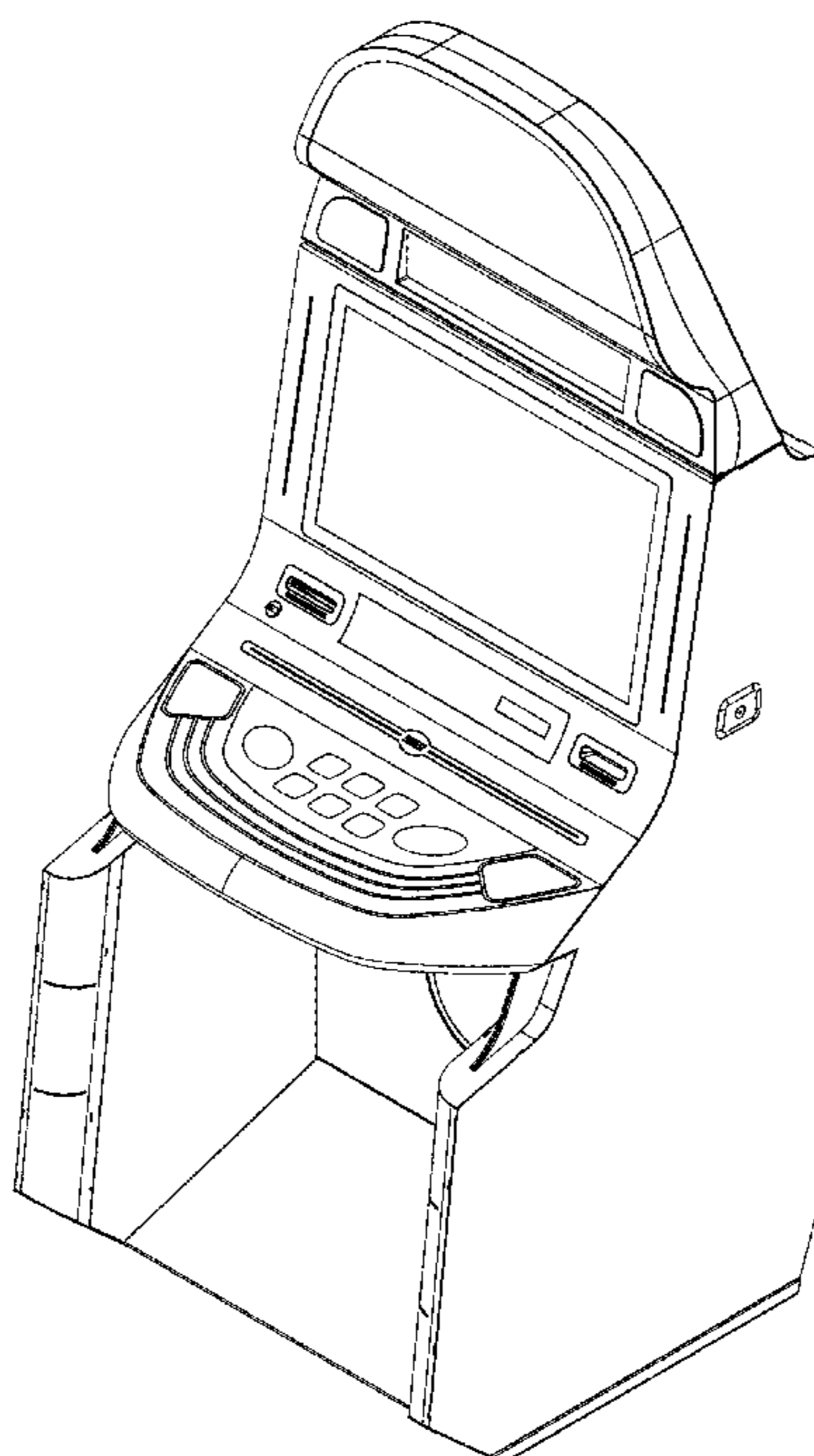
The ornamental design for a gaming machine, as shown and described.

**DESCRIPTION**

FIG. 1 is a perspective view of the gaming machine according to the present design;  
FIG. 2 is a front view thereof;  
FIG. 3 is a left side view thereof;  
FIG. 4 is a right side view thereof;  
FIG. 5 is a back view thereof;  
FIG. 6 is a top view thereof; and,  
FIG. 7 is a bottom view thereof.  
The broken lines illustrate unclaimed portions and form no part of the claimed design.

**1 Claim, 7 Drawing Sheets**

- (56) **References Cited**  
U.S. PATENT DOCUMENTS  
5,813,914 A \* 9/1998 McKay ..... G07F 17/32  
273/143 R  
6,201,532 B1 \* 3/2001 Tode ..... G06F 3/041  
248/917



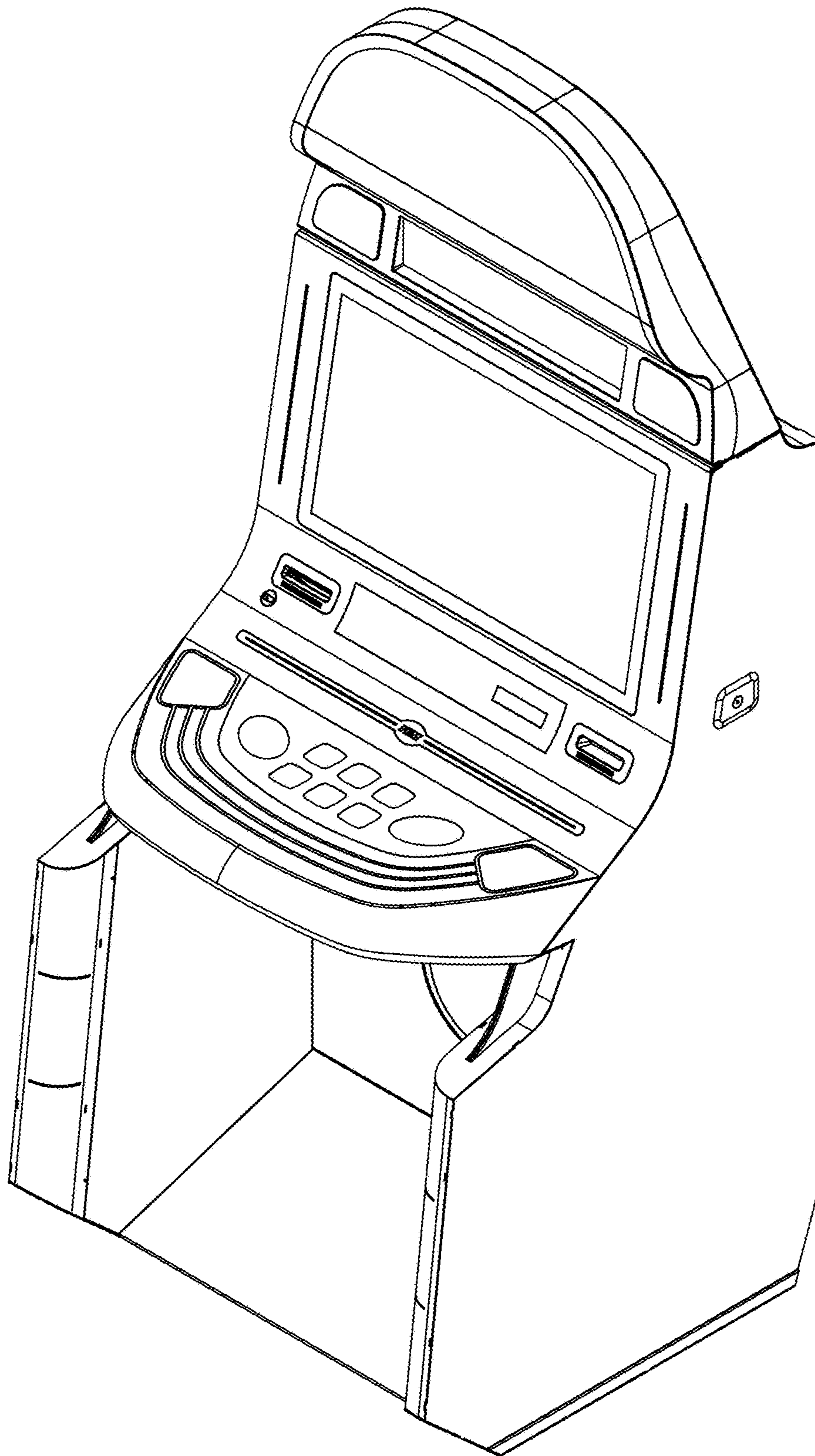


Fig. 1

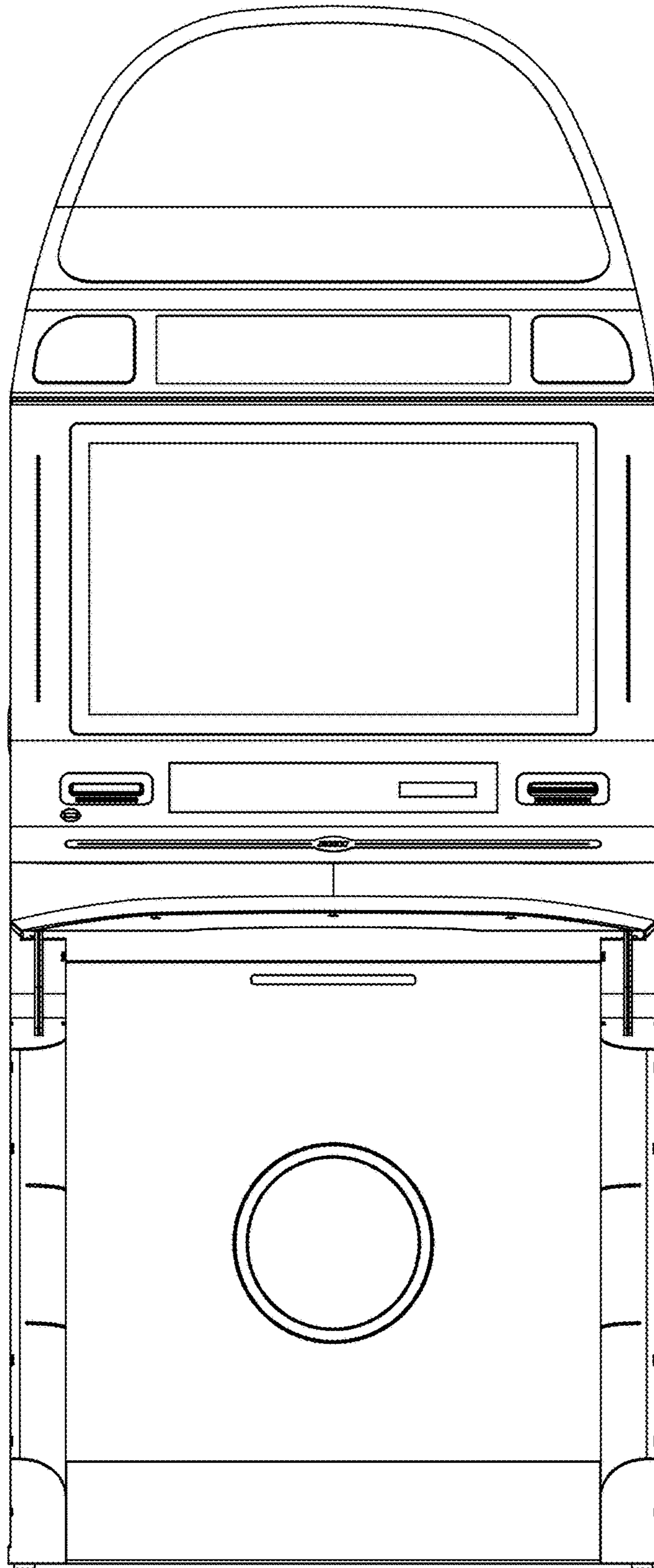


Fig. 2

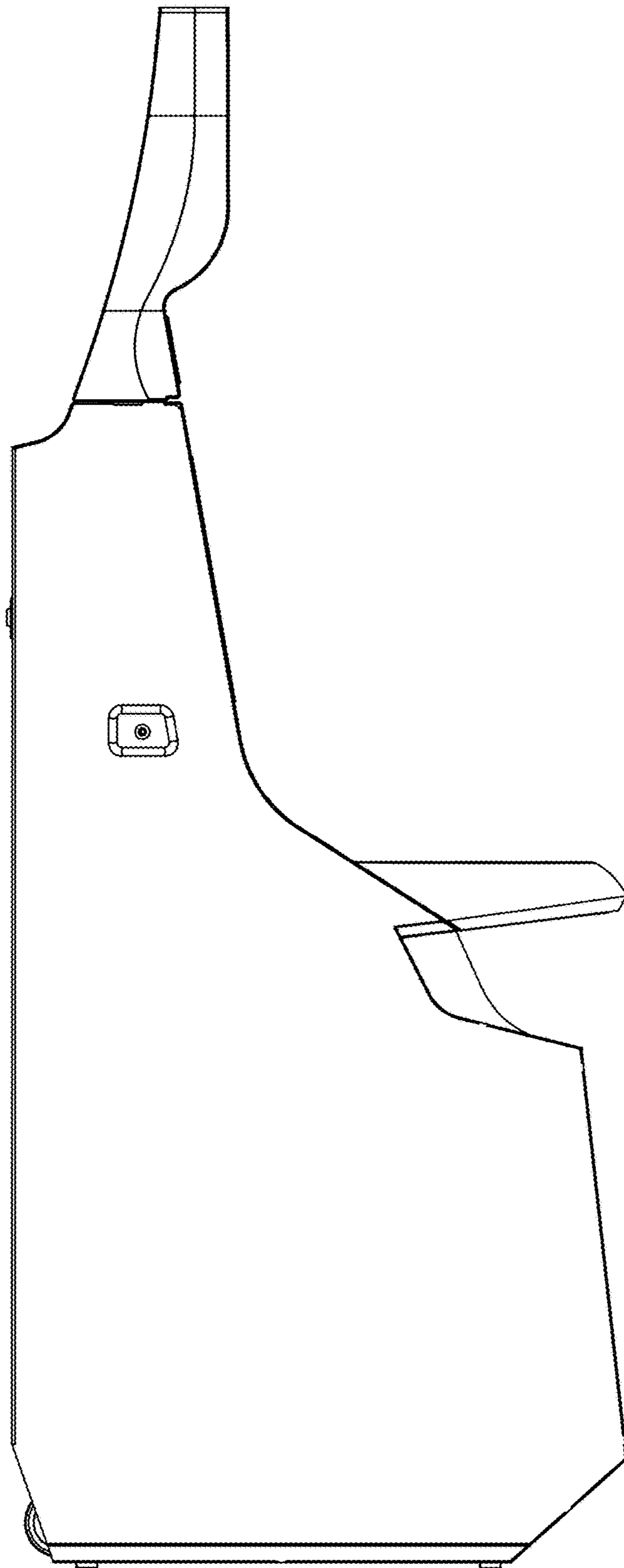


Fig. 3

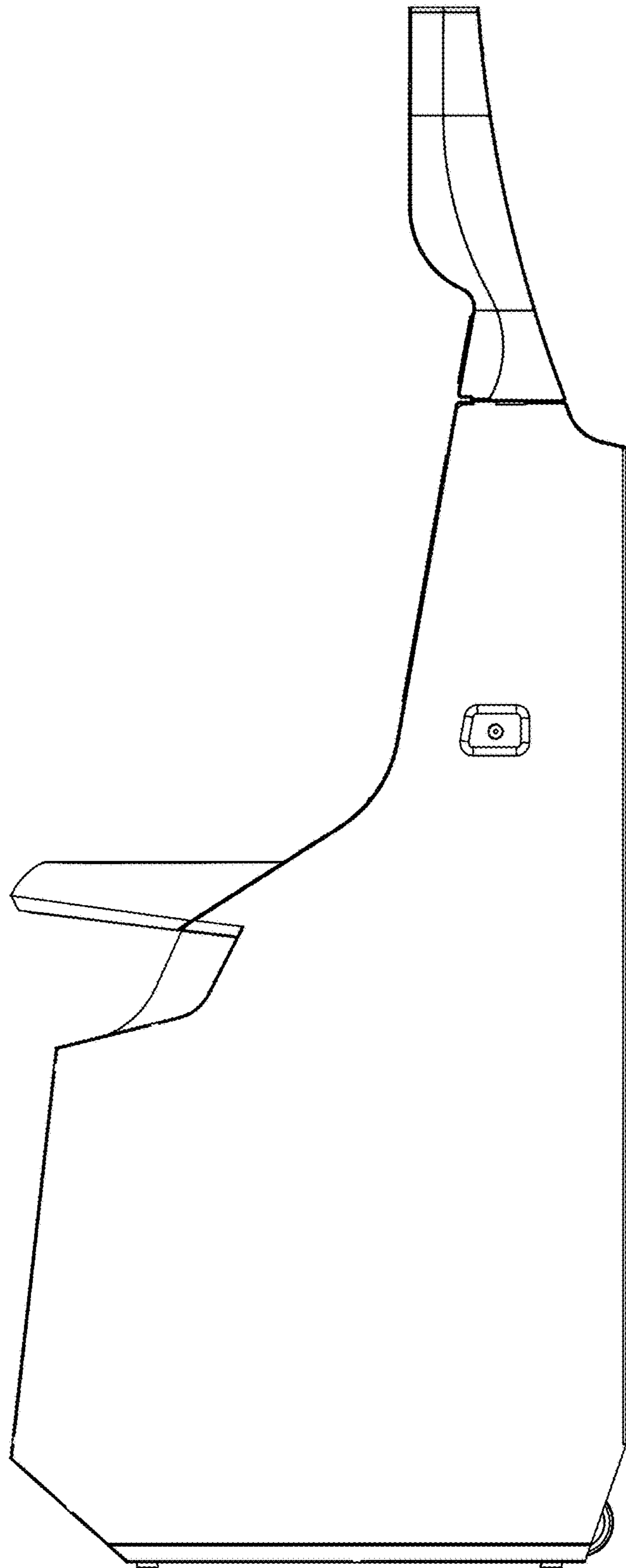


Fig. 4

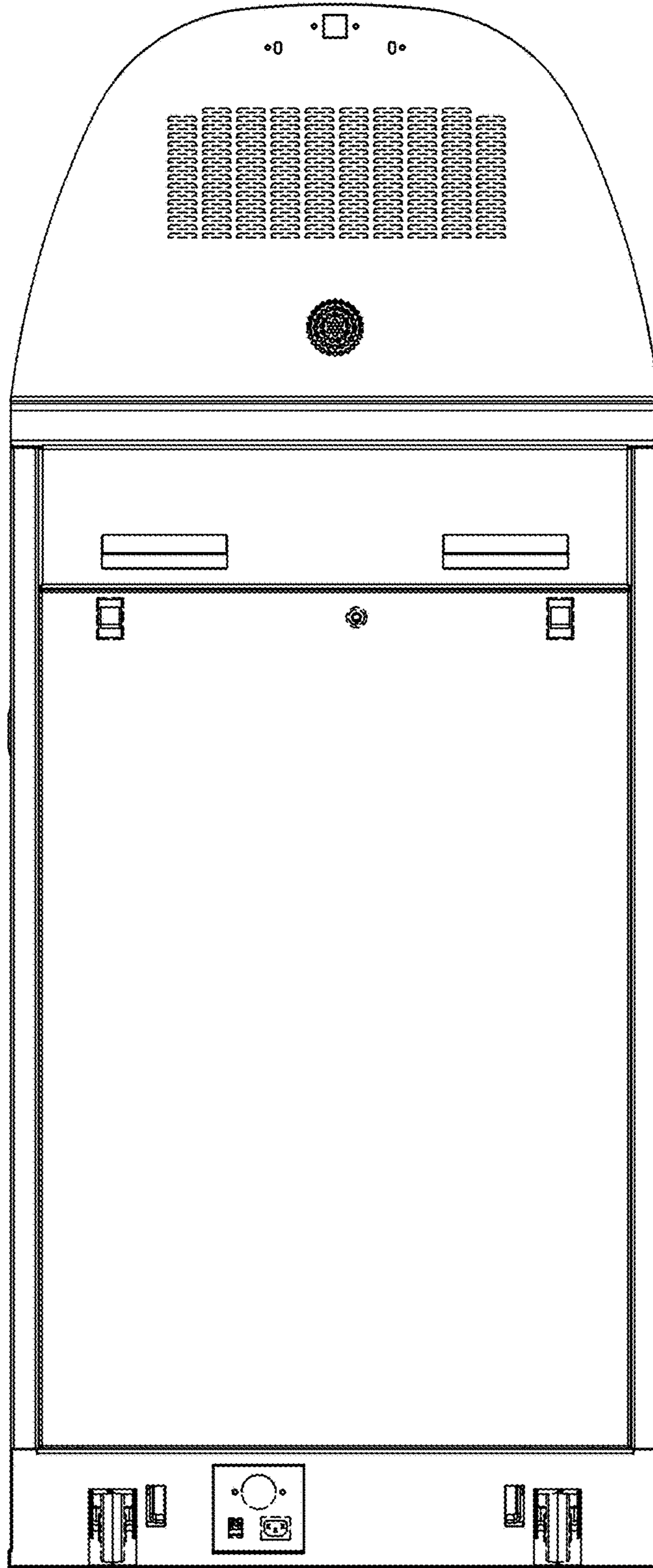


Fig. 5

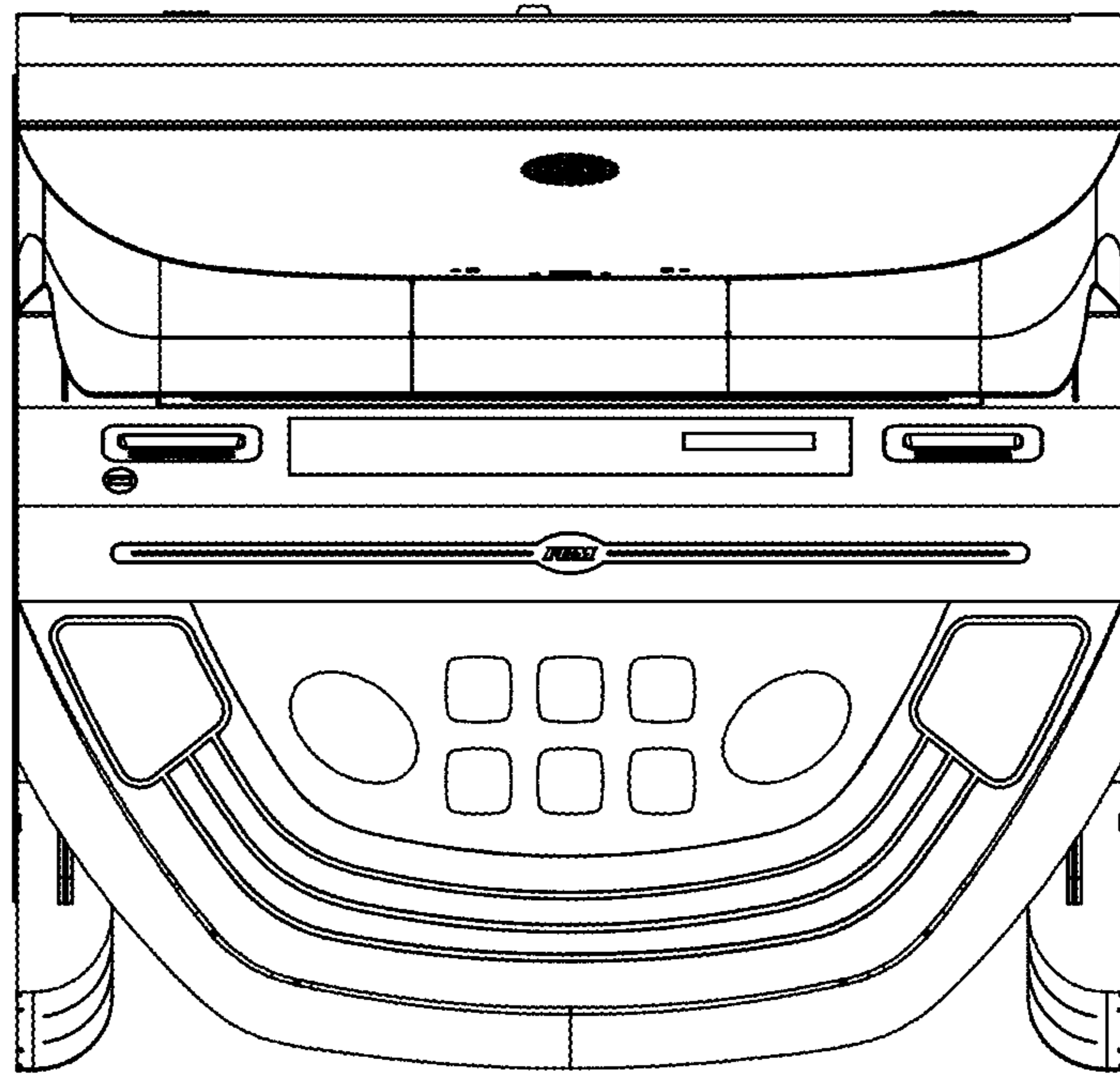


Fig. 6

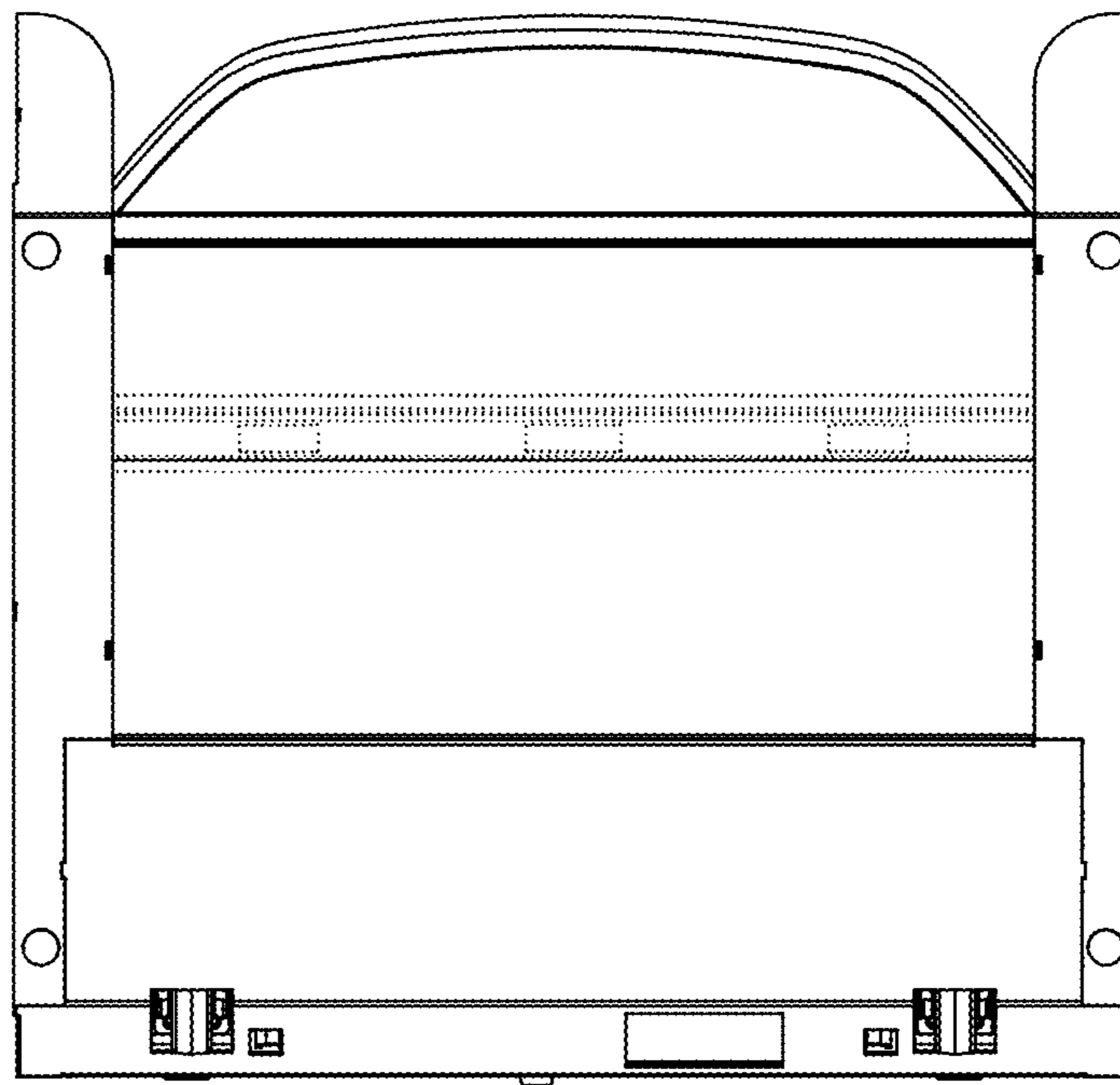


Fig. 7