



US00D822765S

(12) **United States Design Patent** (10) **Patent No.:** **US D822,765 S**
Canon (45) **Date of Patent:** **** Jul. 10, 2018**

(54) **INSTRUCTIONAL AND FIGURATIVE SIGN**

(71) Applicant: **Craig Canon**, Denver, CO (US)

(72) Inventor: **Craig Canon**, Denver, CO (US)

(**) Term: **15 Years**

(21) Appl. No.: **29/559,447**

(22) Filed: **Mar. 28, 2016**

Related U.S. Application Data

(62) Division of application No. 29/489,108, filed on Apr. 25, 2014, now Pat. No. Des. 752,687.

(51) **LOC (11) Cl.** **20-03**

(52) **U.S. Cl.**
USPC **D20/31**

(58) **Field of Classification Search**
USPC D20/10, 13, 19, 29-33, 41, 42, 99;
D10/113.4; D11/160; D21/621, 627, 649
CPC A47F 8/00; A47G 1/14; A63H 3/00; A63H
3/04; G09F 1/08; G09F 7/00; G09F 9/00;
G09F 11/00; G09F 13/00; G09F 15/00
See application file for complete search history.

(56) **References Cited**

U.S. PATENT DOCUMENTS

- 1,422,840 A * 7/1922 De Grasse A63H 3/04
43/42.26
- 1,442,900 A 1/1923 O'Connor
D113,238 S 2/1939 Reghard
D114,199 S 4/1939 Rettenmeyer
D130,025 S 10/1941 Kilgariff
2,349,706 A 5/1944 Collins et al.
D187,177 S 2/1960 Lawson
3,026,648 A 3/1962 Lemelson et al.
D197,427 S 2/1964 Jones et al.
3,234,685 A 2/1966 Harrowe et al.
3,357,610 A 12/1967 Quinby, Jr.
3,395,484 A 8/1968 Smith

- D217,283 S * 4/1970 Horton D20/17
4,208,834 A 6/1980 Lin et al.
4,630,762 A * 12/1986 Stringer A47F 8/02
223/66
- D294,843 S 3/1988 Lund
4,793,082 A 12/1988 Petrick et al.
D307,606 S * 5/1990 Jervis, Sr. D20/31
D308,229 S * 5/1990 Jervis, Sr. D20/31
5,255,457 A * 10/1993 Lipson A47G 1/14
40/744
- D388,724 S * 1/1998 Victor D10/109.1
D414,815 S 10/1999 McDonald
D419,309 S * 1/2000 Leon D6/300
6,186,857 B1 2/2001 Gazit et al.
6,347,470 B1 2/2002 Radovich et al.
6,601,326 B1 8/2003 Bublitz et al.
6,746,303 B2 6/2004 Beidokhti et al.

(Continued)

FOREIGN PATENT DOCUMENTS

- FR 2675167 A1 10/1992
Primary Examiner — Mary Ann Calabrese
(74) *Attorney, Agent, or Firm* — Dorsey & Whitney LLP

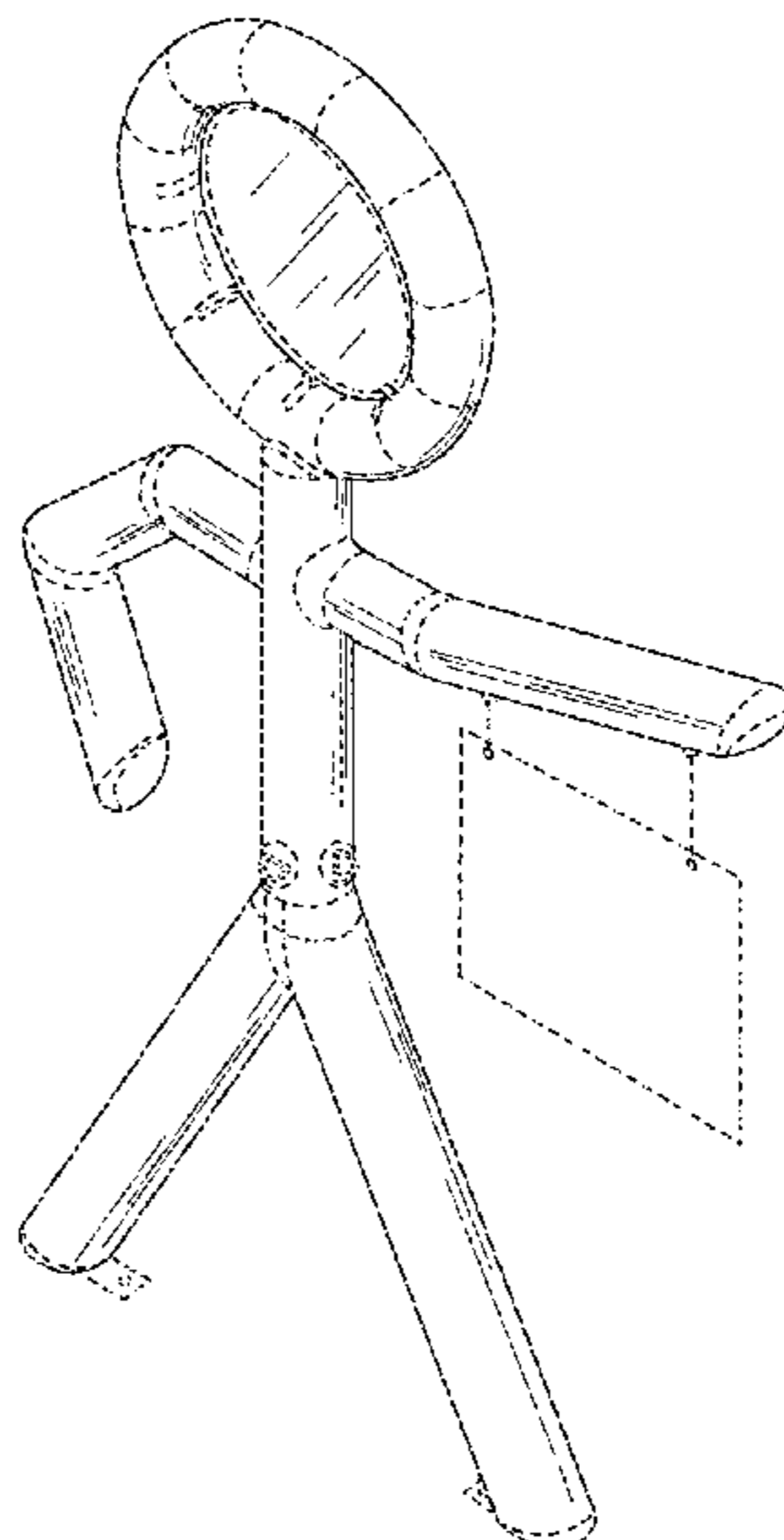
(57) **CLAIM**

The ornamental design for an instructional and figurative sign, as shown and described.

DESCRIPTION

FIG. 1 is an isometric view of an instructional and figurative sign with insert and banner showing my design;
 FIG. 2 is a front view of FIG. 1;
 FIG. 3 is a rear view of FIG. 1;
 FIG. 4 is a right side view of FIG. 1;
 FIG. 5 is a left side view of FIG. 1;
 FIG. 6 is a top view of FIG. 1; and,
 FIG. 7 is a bottom view of FIG. 1.
 The broken lines in FIGS. 1-7 illustrate portions of the sign and form no part of the claimed design.

1 Claim, 5 Drawing Sheets



(56)

References Cited

U.S. PATENT DOCUMENTS

D497,637	S	10/2004	Cetera	
6,991,510	B2	1/2006	Nan et al.	
7,077,301	B2	7/2006	Dudley	
7,198,538	B2	4/2007	Chin-Cheng et al.	
D553,196	S *	10/2007	Canon	D20/31
D589,092	S *	3/2009	Glover	D20/17
D671,602	S *	11/2012	Bradford	D21/621
8,814,729	B2	8/2014	Hartigan et al.	
D752,687	S *	3/2016	Canon	D20/31
2002/0111109	A1	8/2002	Kwan et al.	
2003/0046840	A1 *	3/2003	Evans	G09F 1/08 40/538
2007/0277414	A1	12/2007	Canon	
2009/0191787	A1	7/2009	Rubinstein et al.	
2010/0031546	A1	2/2010	Nwatu et al.	
2016/0086524	A1	3/2016	Canon	

* cited by examiner

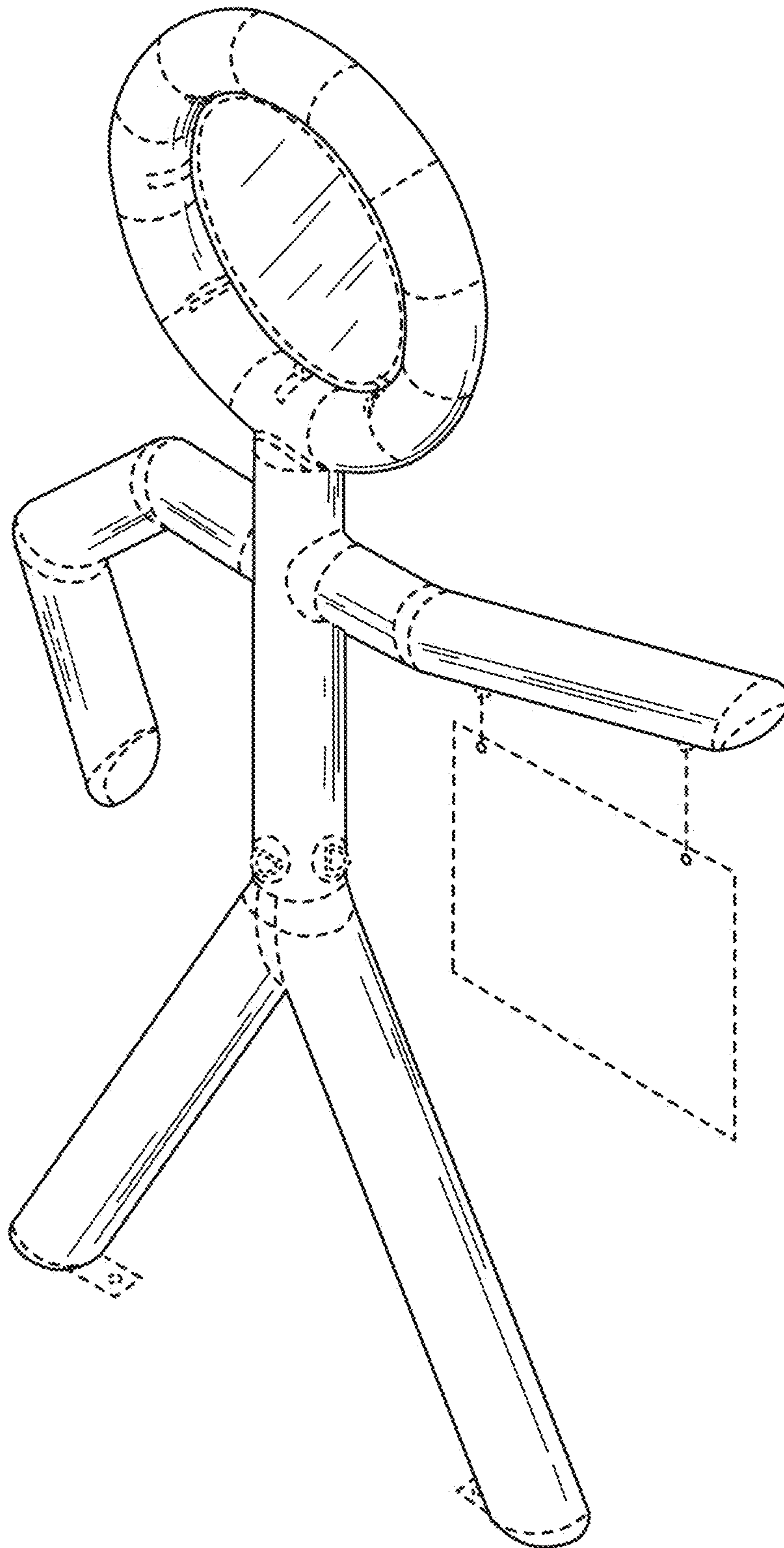


FIG. 1

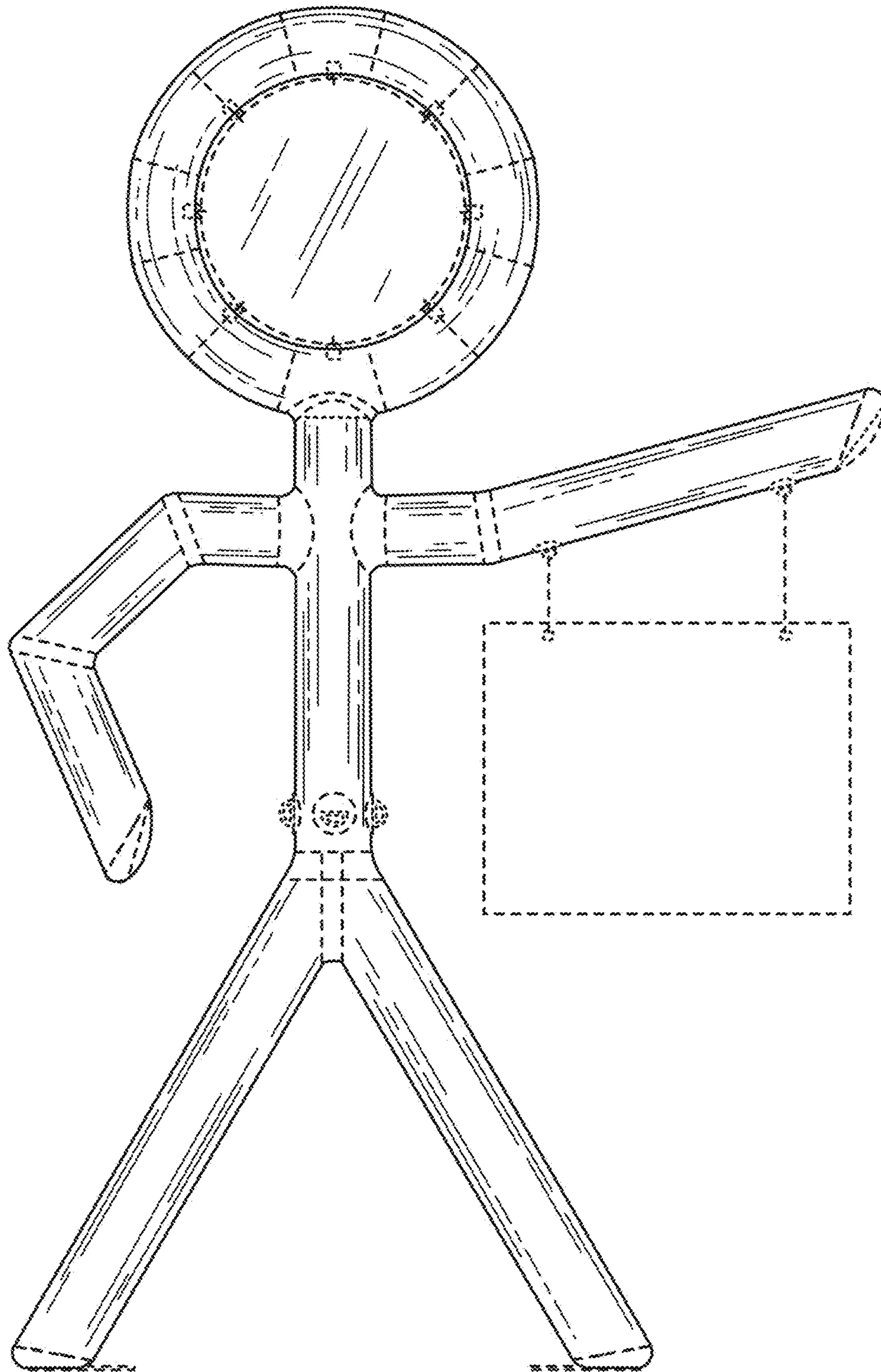


FIG. 2

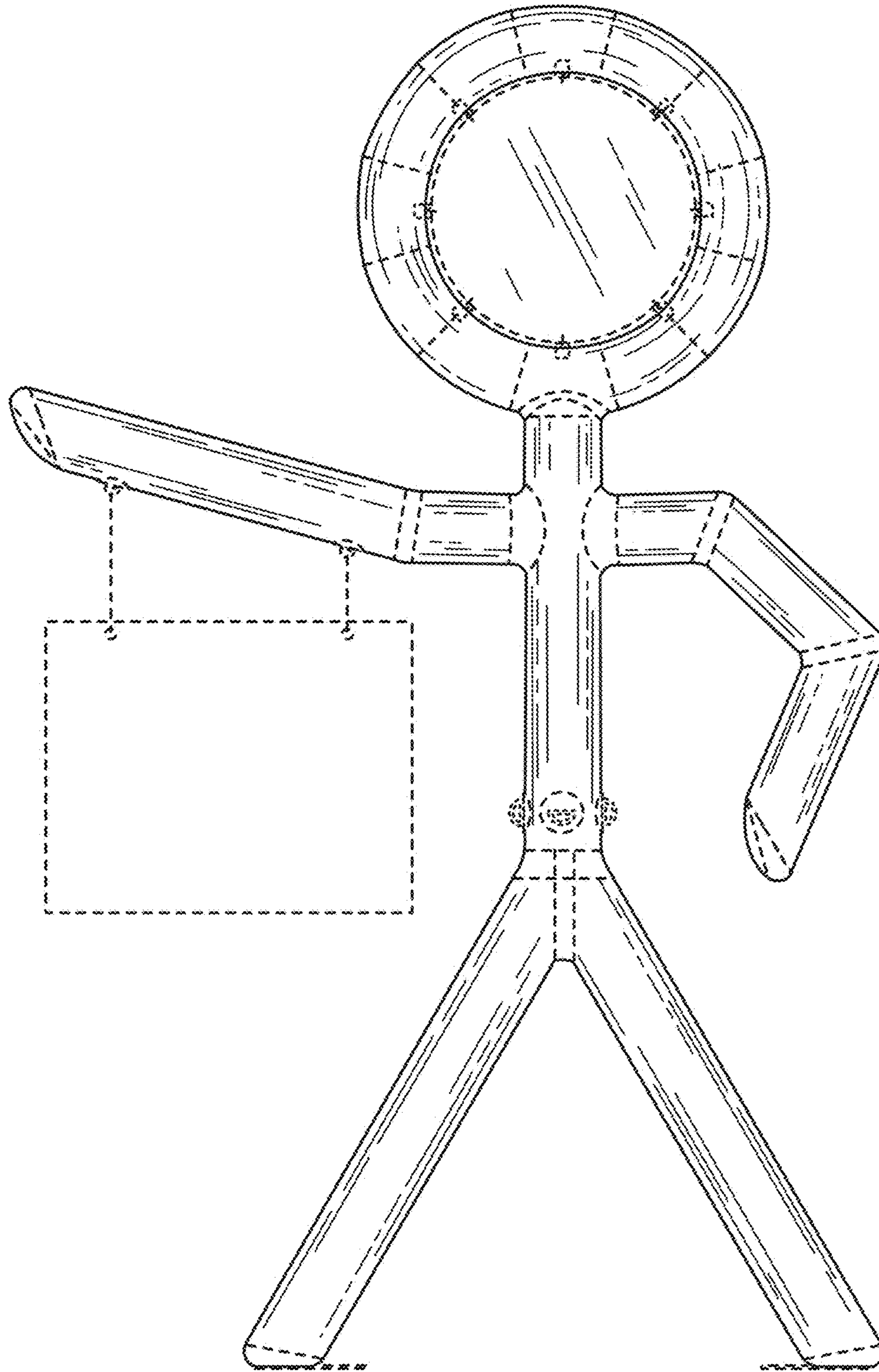


FIG. 3

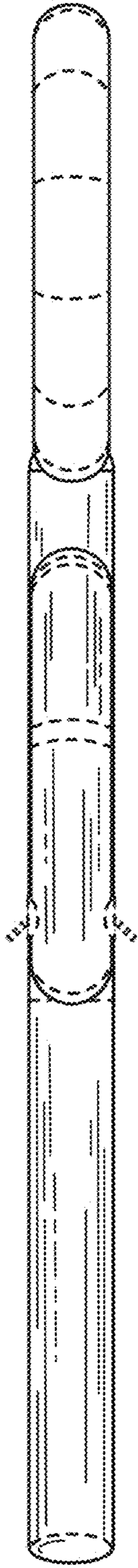


FIG. 4

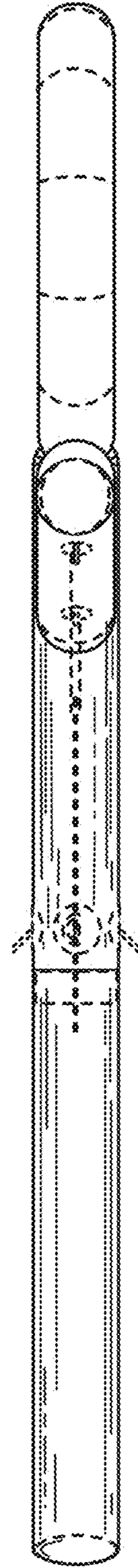


FIG. 5

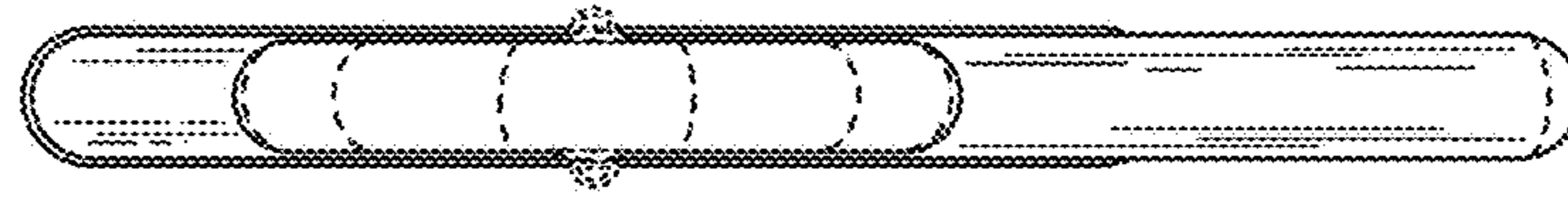


FIG. 6

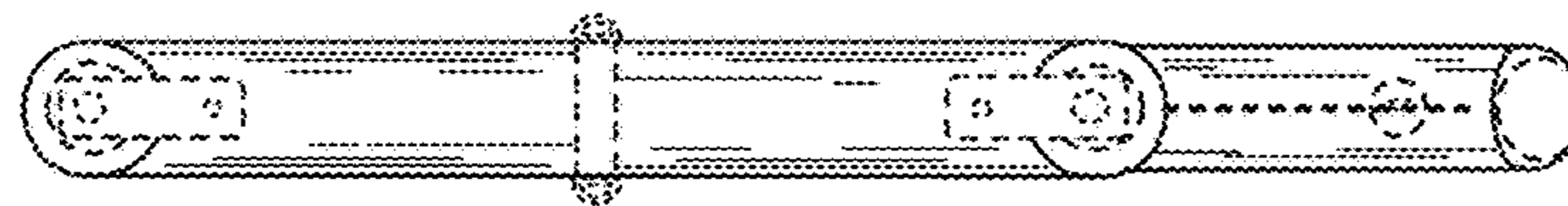


FIG. 7