



US00D822764S

(12) **United States Design Patent**
Broen et al.

(10) **Patent No.:** **US D822,764 S**
(45) **Date of Patent:** **** Jul. 10, 2018**

- (54) **VENDING MACHINE**
- (71) Applicant: **PepsiCo, Inc.**, Purchase, NY (US)
- (72) Inventors: **Martin Eduardo Broen**, New York, NY (US); **Stephen Lim**, Chappaqua, NY (US); **Curtis Barbre**, Brooklyn, NY (US); **Marco Perry**, Brooklyn, NY (US); **Mark Prommel**, Brooklyn, NY (US); **Lisa Yanz**, Brooklyn, NY (US)
- (73) Assignee: **PepsiCo, Inc.**, Purchase, NY (US)
- (**) Term: **15 Years**
- (21) Appl. No.: **29/560,850**
- (22) Filed: **Apr. 11, 2016**
- (51) **LOC (11) Cl.** **20-01**
- (52) **U.S. Cl.**
USPC **D20/8**
- (58) **Field of Classification Search**
USPC D20/1-9; D15/79, 81, 89; D99/28; D7/300, 306, 307-309
CPC G07F 7/0609; G07F 7/069; G07F 9/026; G07F 9/10; G07F 9/16; G07F 11/00; G07F 11/005; G07F 11/007; G07F 11/02; G07F 11/04; G07F 11/10; G07F 11/14; G07F 11/32; G07F 11/46; G07F 11/62; G07F 11/54; G07F 5/00; G07F 5/18; G07F 13/00; G07F 13/065; A47F 1/08; A47F 1/10
See application file for complete search history.

- D151,650 S * 11/1948 Naiden D20/5
- D153,540 S * 4/1949 Otto D20/4
- D175,887 S * 10/1955 Hodgman D20/5
- 2,726,026 A * 12/1955 Gould G07F 13/065
141/104
- D182,277 S 3/1958 Giepen
- 2,963,202 A * 12/1960 Dickinson G07F 13/065
222/135
- 3,548,738 A 12/1970 McDevitt et al.
- D276,924 S * 12/1984 Bellis D20/9
- D387,809 S * 12/1997 Reese D20/8
- D419,193 S 1/2000 Kojima et al.
- D445,594 S 7/2001 McClintock et al.
- D497,269 S 10/2004 Richardson et al.
- 7,311,828 B2 12/2007 Miles et al.
- D641,988 S 7/2011 Giroux
- D641,990 S 7/2011 Giroux
- D641,991 S 7/2011 Giroux
- D650,443 S * 12/2011 Hallenbeck D20/1

(Continued)

Primary Examiner — Mary Ann Calabrese
(74) *Attorney, Agent, or Firm* — Sterne, Kessler, Goldstein & Fox P.L.L.C.

(57) **CLAIM**

The ornamental design for a vending machine, as shown and described.

DESCRIPTION

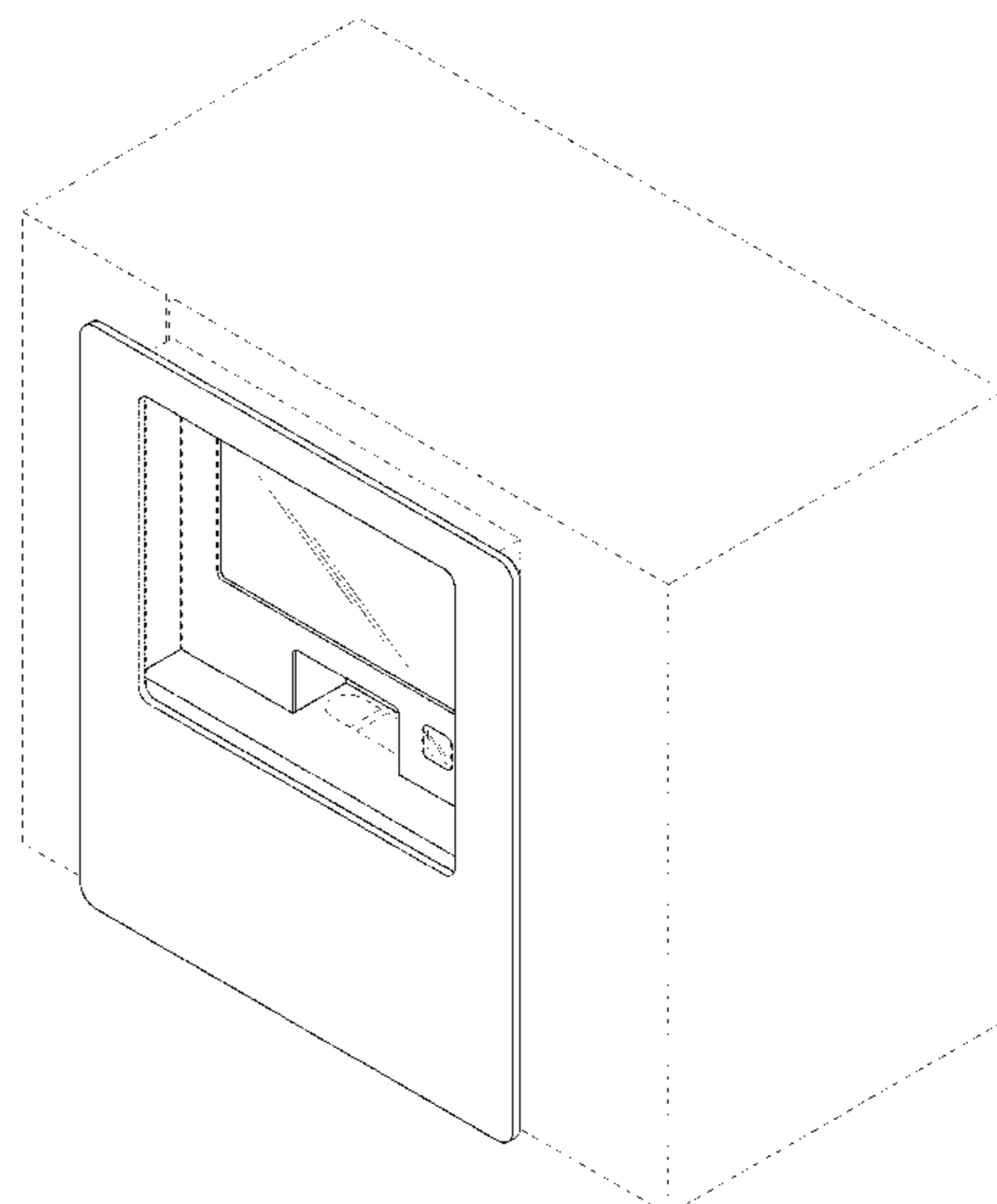
FIG. 1 is a top front perspective view of a vending machine showing the claimed design;
FIG. 2 is a front view thereof;
FIG. 3 is a rear view thereof;
FIG. 4 is a left side view thereof;
FIG. 5 is a right side view thereof;
FIG. 6 is a top view thereof; and,
FIG. 7 is a bottom view thereof.
The broken lines in the figures show portions of the vending machine that form no part of the claimed design.
The oblique shade lines in the figures show transparency or translucency.

1 Claim, 6 Drawing Sheets

(56) **References Cited**

U.S. PATENT DOCUMENTS

- 1,629,211 A * 5/1927 Giambra G07F 11/02
194/234
- 2,191,235 A * 2/1940 Llovera G07F 11/02
232/43.4
- D137,822 S * 5/1944 Schladermundt et al. D20/4



(56)

References Cited

U.S. PATENT DOCUMENTS

D652,244	S	1/2012	Richardson et al.	
D696,350	S	12/2013	d'Amore et al.	
D704,950	S	5/2014	Bogner et al.	
D719,381	S	12/2014	DelaGrange	
D727,055	S	4/2015	Bogner et al.	
D730,538	S	5/2015	Lin	
D746,539	S	* 12/2015	Lee	D99/28
D759,757	S	* 6/2016	Chen	D20/1
D763,355	S	8/2016	Stolarz et al.	
2005/0102918	A1	5/2005	Richardson et al.	
2012/0318635	A1	12/2012	Brown	

* cited by examiner

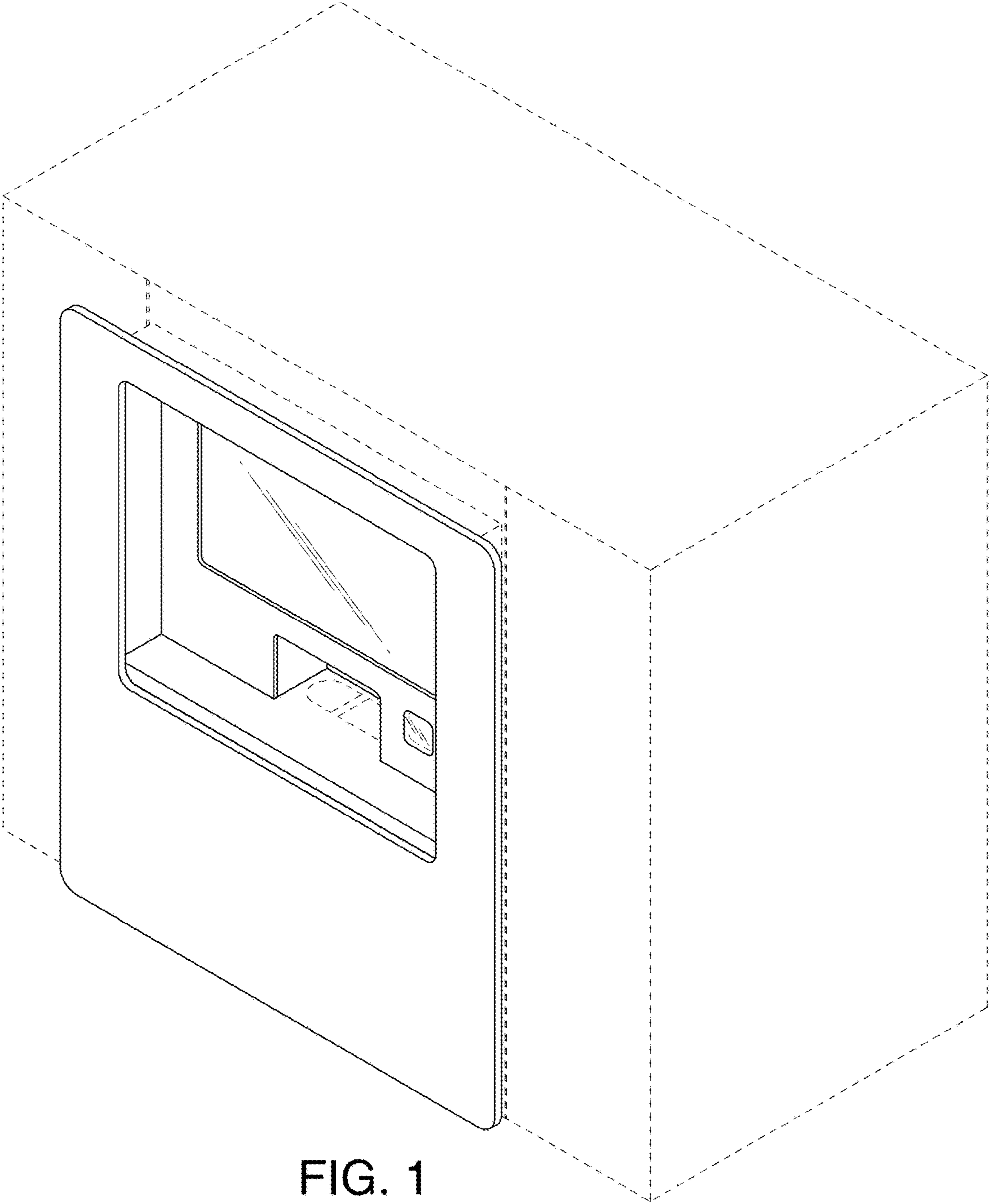


FIG. 1

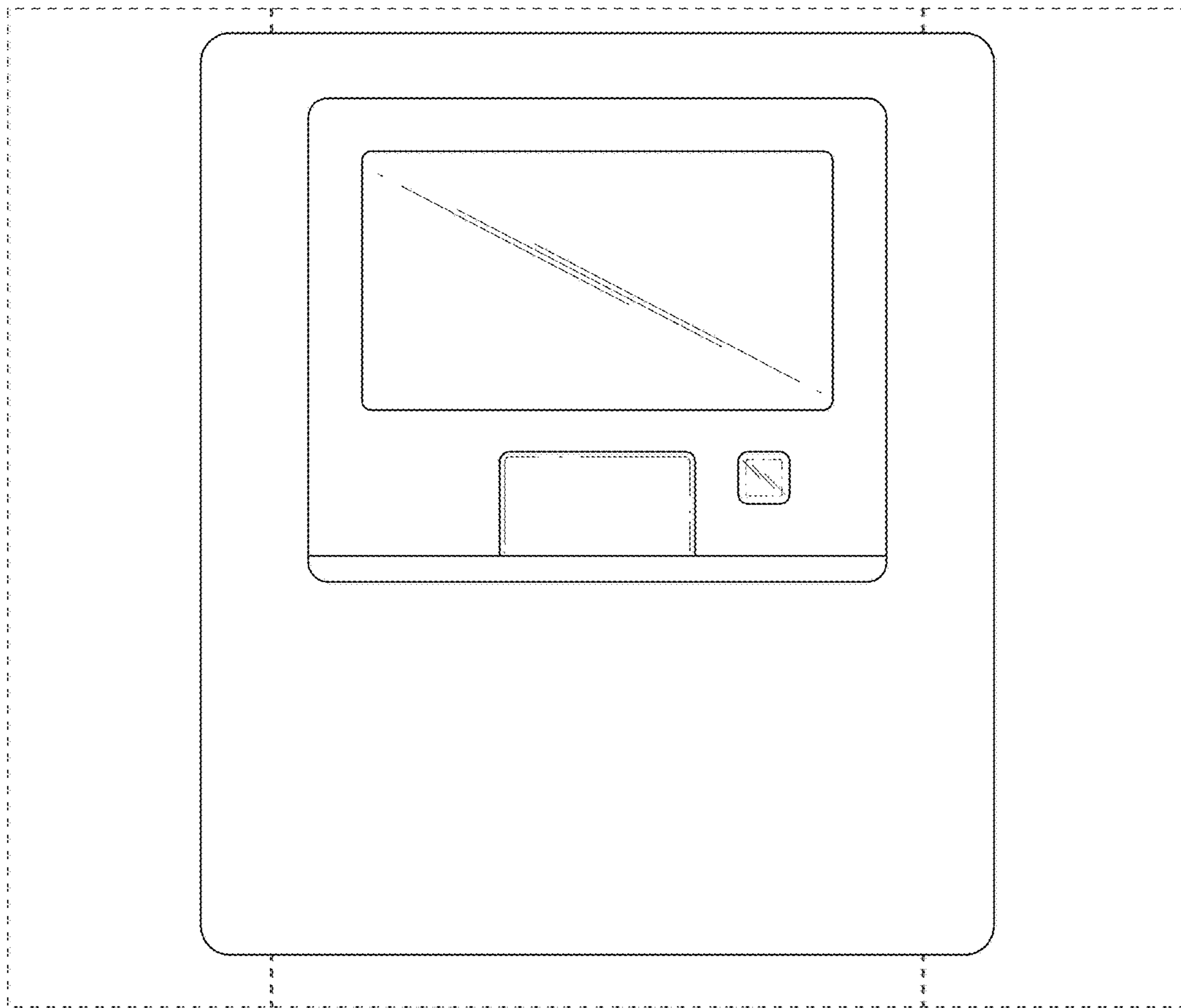


FIG. 2

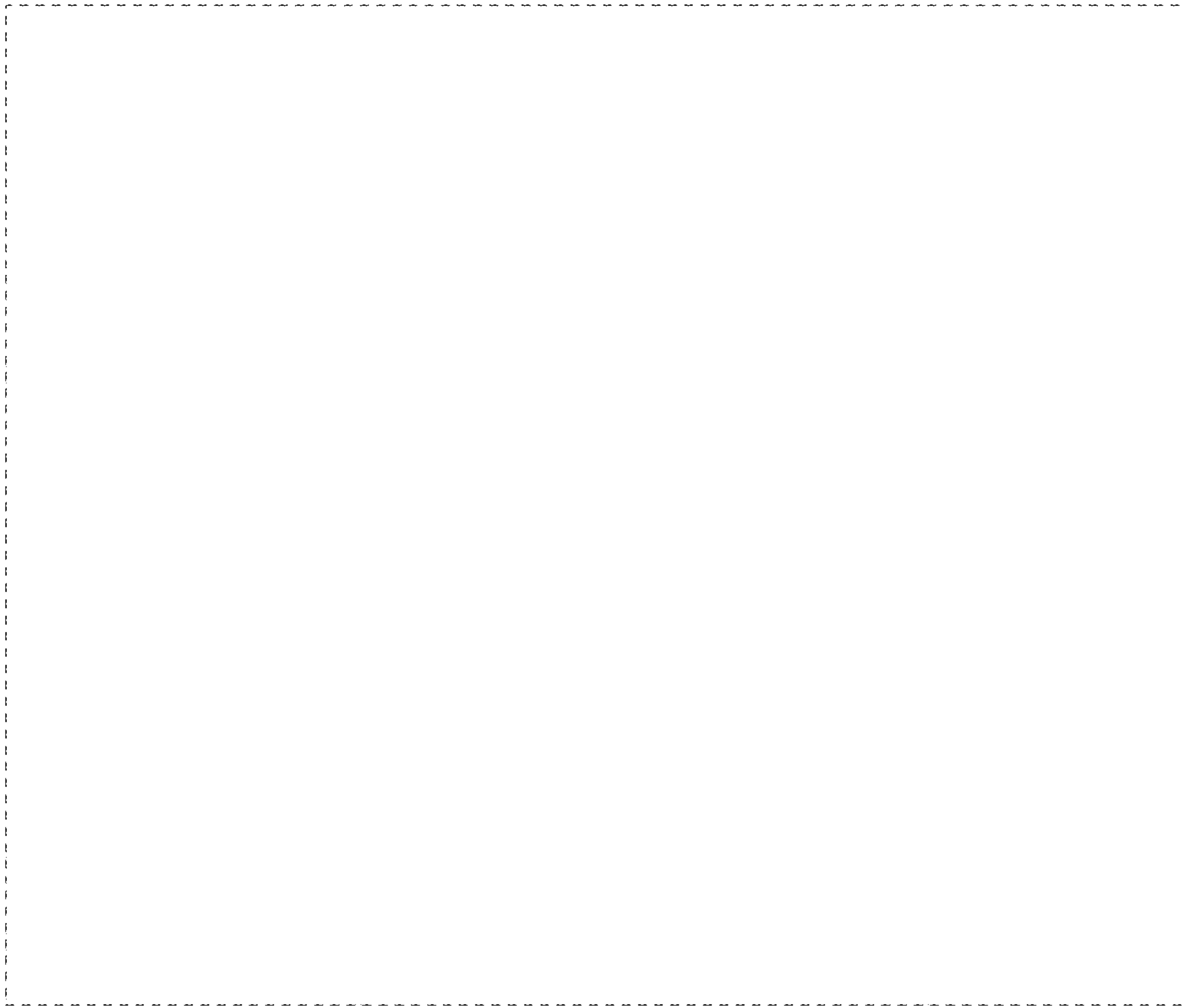


FIG. 3

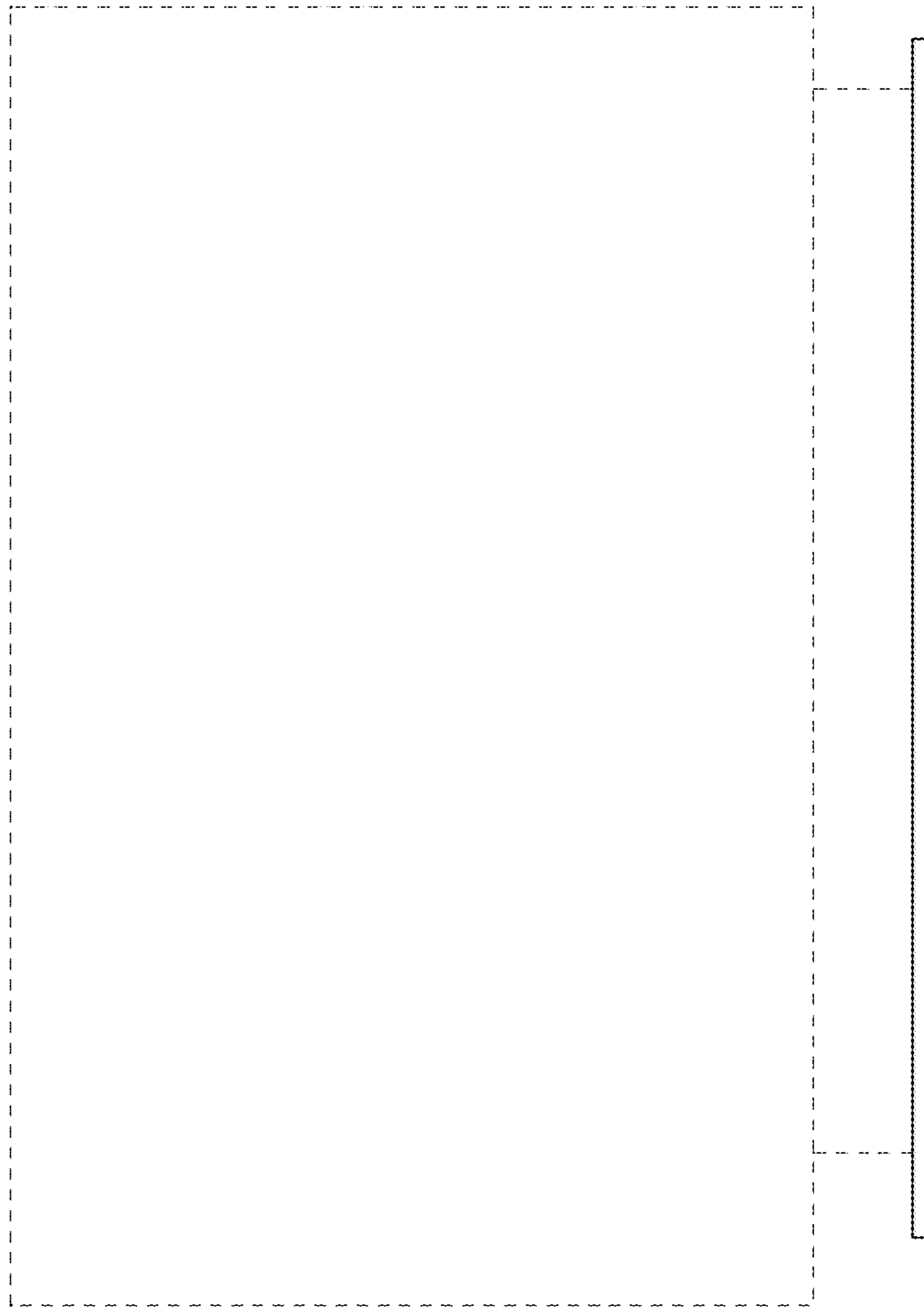


FIG. 4

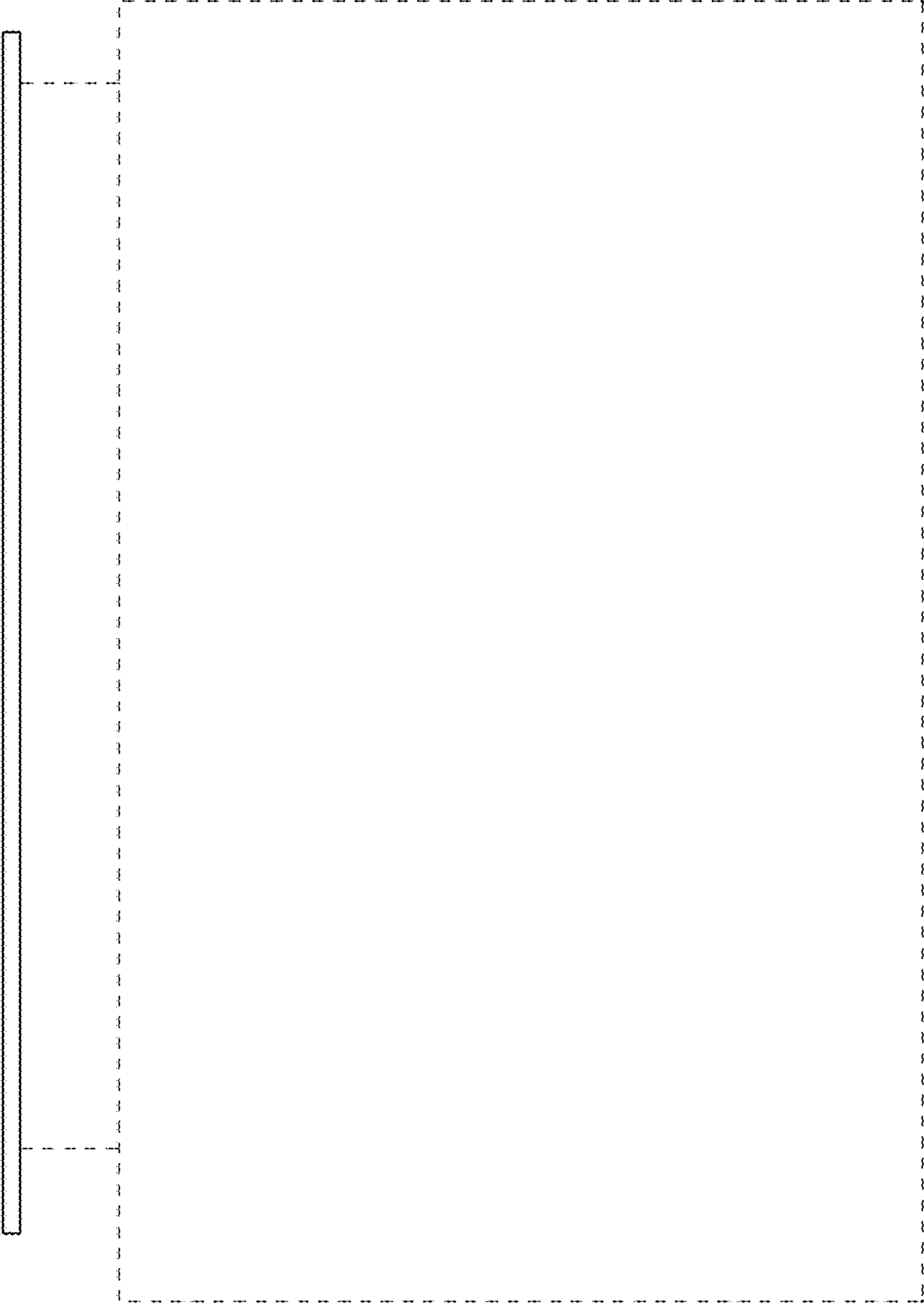


FIG. 5



FIG. 6

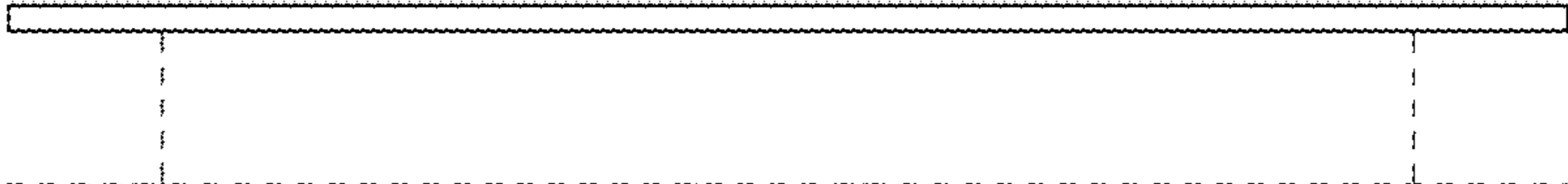


FIG. 7