



US00D822762S

(12) **United States Design Patent**  
**Gwartzman**

(10) **Patent No.:** **US D822,762 S**

(45) **Date of Patent:** **\*\* Jul. 10, 2018**

- (54) **MAGNETIC PAINT CUPS**
- (71) Applicant: **Neil Gwartzman**, Englewood, CO (US)
- (72) Inventor: **Neil Gwartzman**, Englewood, CO (US)
- (\*\*) Term: **15 Years**
- (21) Appl. No.: **29/586,766**
- (22) Filed: **Dec. 7, 2016**

D783,917 S \* 4/2017 Gringer ..... D32/53.1  
 D787,928 S \* 5/2017 Fleming ..... D9/415  
 D794,892 S \* 8/2017 Bergman ..... D32/53.1  
 2015/0151566 A1 \* 6/2015 Abuzarifah ..... B44D 3/127  
 220/570

\* cited by examiner

*Primary Examiner* — Daniel Bui

*Assistant Examiner* — Andrew G Kerr

(74) *Attorney, Agent, or Firm* — Will Hunziker

**Related U.S. Application Data**

- (63) Continuation-in-part of application No. 29/577,437, filed on Sep. 13, 2016, now abandoned.
- (51) **LOC (11) Cl.** ..... **19-06**
- (52) **U.S. Cl.**  
USPC ..... **D19/104**
- (58) **Field of Classification Search**  
USPC ..... D9/414, 430, 432, 434, 721;  
D19/101–105, 107; D3/304, 314, 318,  
D3/319; D7/601–603  
CPC ..... B44D 3/04; B44D 3/12; B44D 3/125  
See application file for complete search history.

(57) **CLAIM**

The ornamental design for the magnetic paint cups, as shown and described.

**DESCRIPTION**

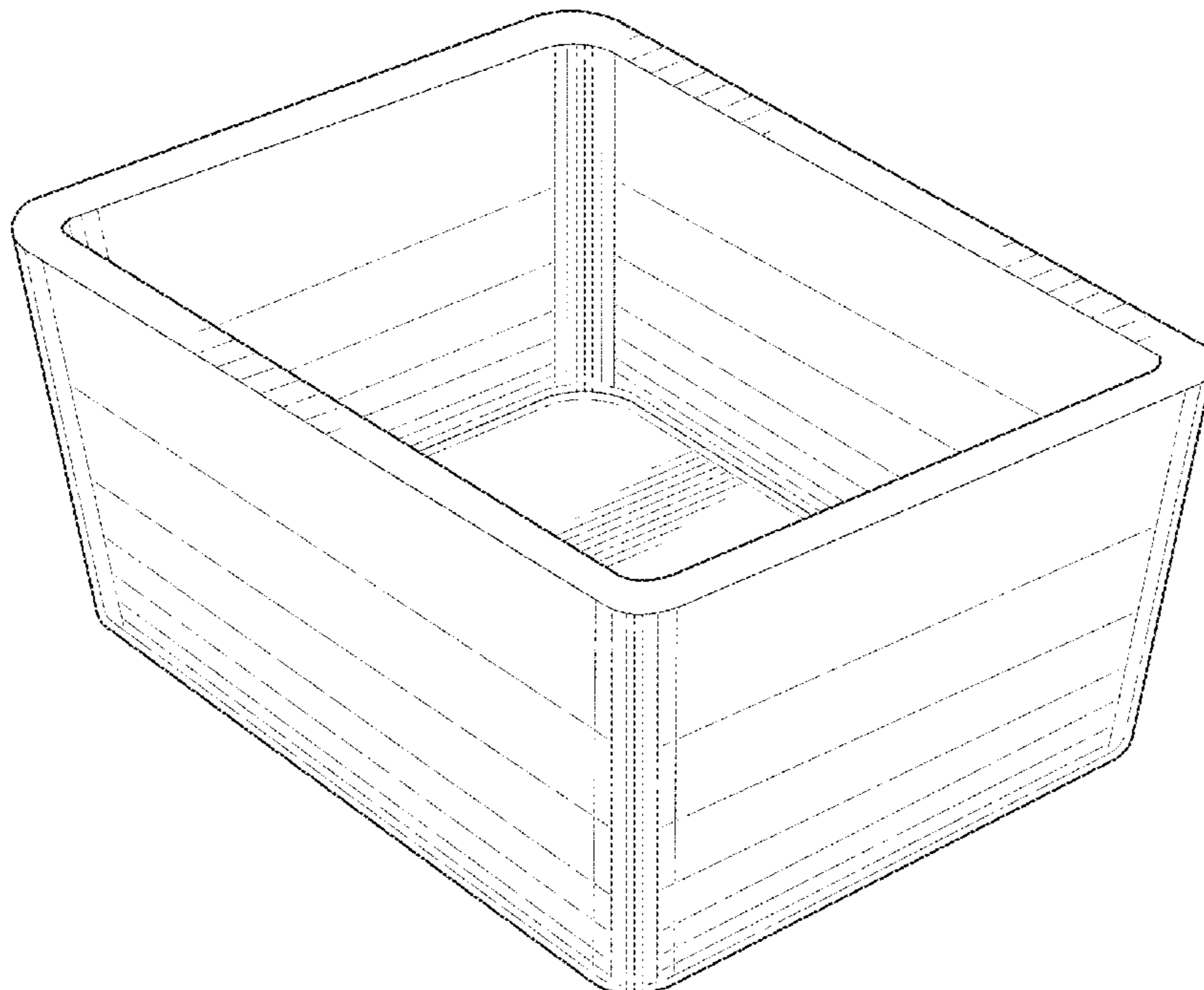
FIG. 1 is a top perspective view of a magnetic paint cups, showing my new design;  
 FIG. 2 is a bottom perspective view thereof;  
 FIG. 3 is a top plan view thereof;  
 FIG. 4 is a bottom plan view thereof;  
 FIG. 5 is a left side elevation view thereof;  
 FIG. 6 is a right side elevation view thereof;  
 FIG. 7 is a front side elevation view thereof; and,  
 FIG. 8 is a rear side elevation view thereof.  
 The broken lines showing a portion of the magnetic paint cups are for the purpose of illustrating environmental structure only and forms no part of the claimed design.

(56) **References Cited**

**U.S. PATENT DOCUMENTS**

D700,435 S \* 3/2014 Gold ..... D3/307  
 D744,711 S \* 12/2015 Gringer ..... D32/53.1  
 D753,918 S \* 4/2016 Lindsay ..... D19/86  
 D773,187 S \* 12/2016 Valks ..... D3/295

**1 Claim, 6 Drawing Sheets**



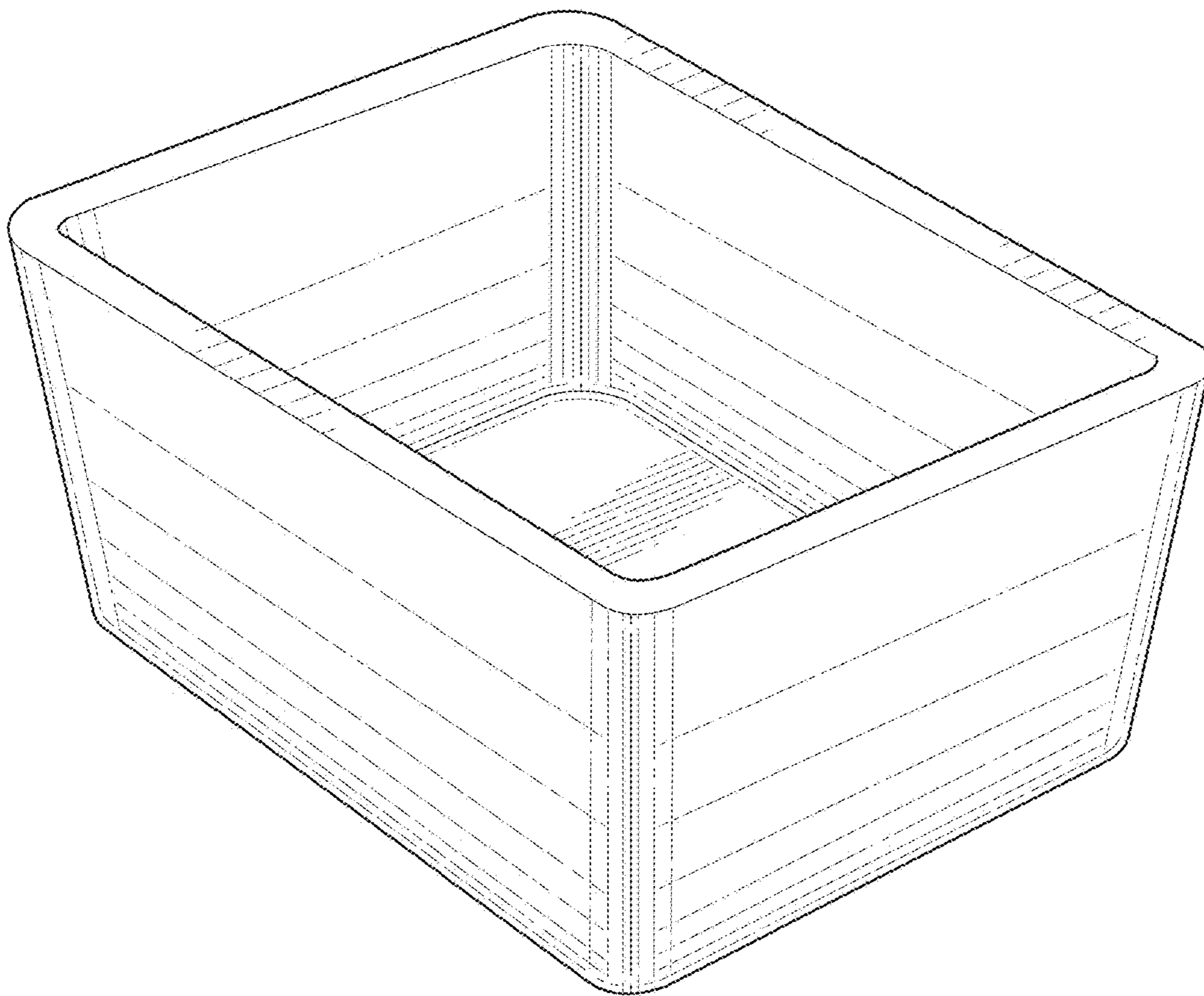


FIG. 1

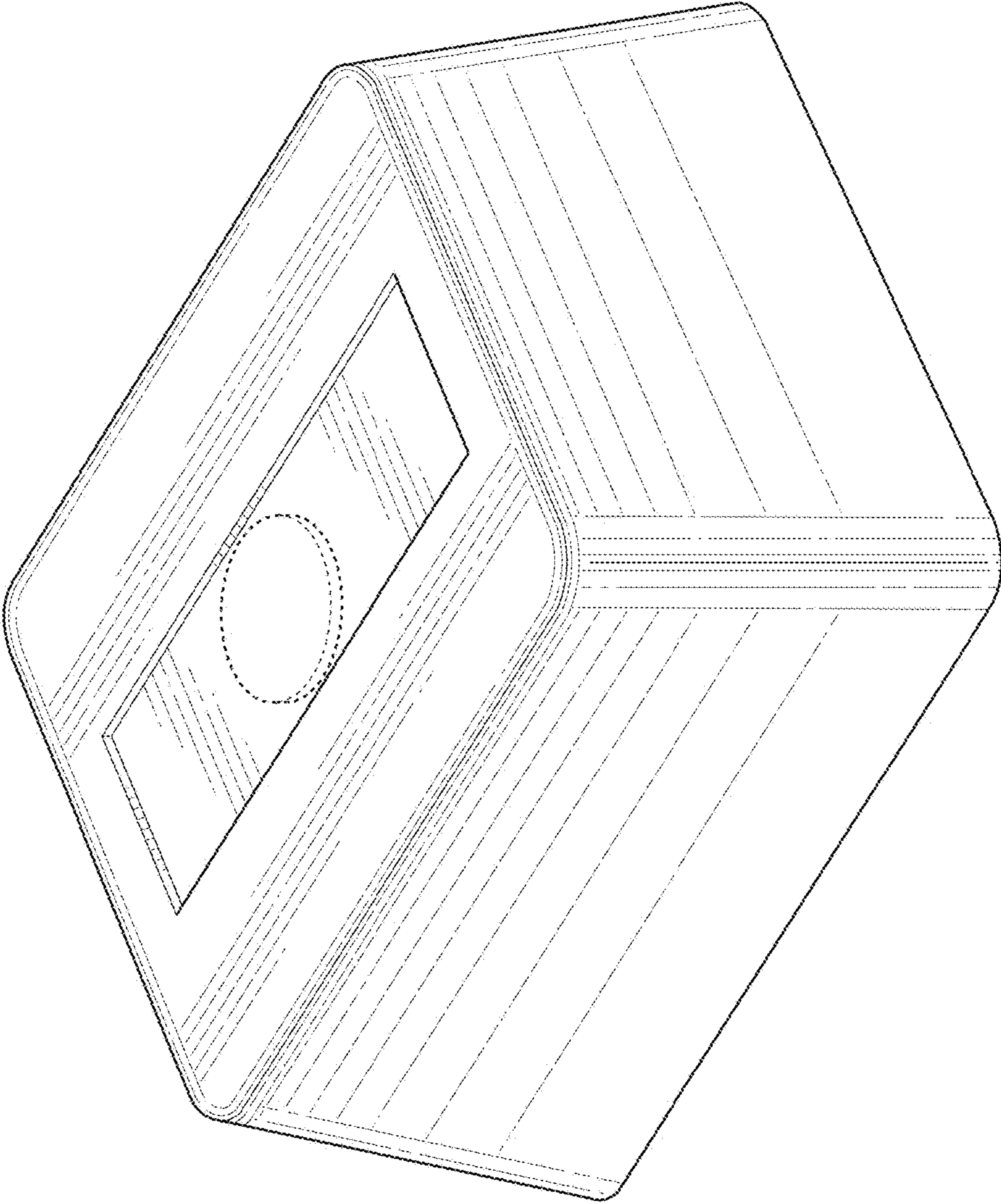


FIG. 2

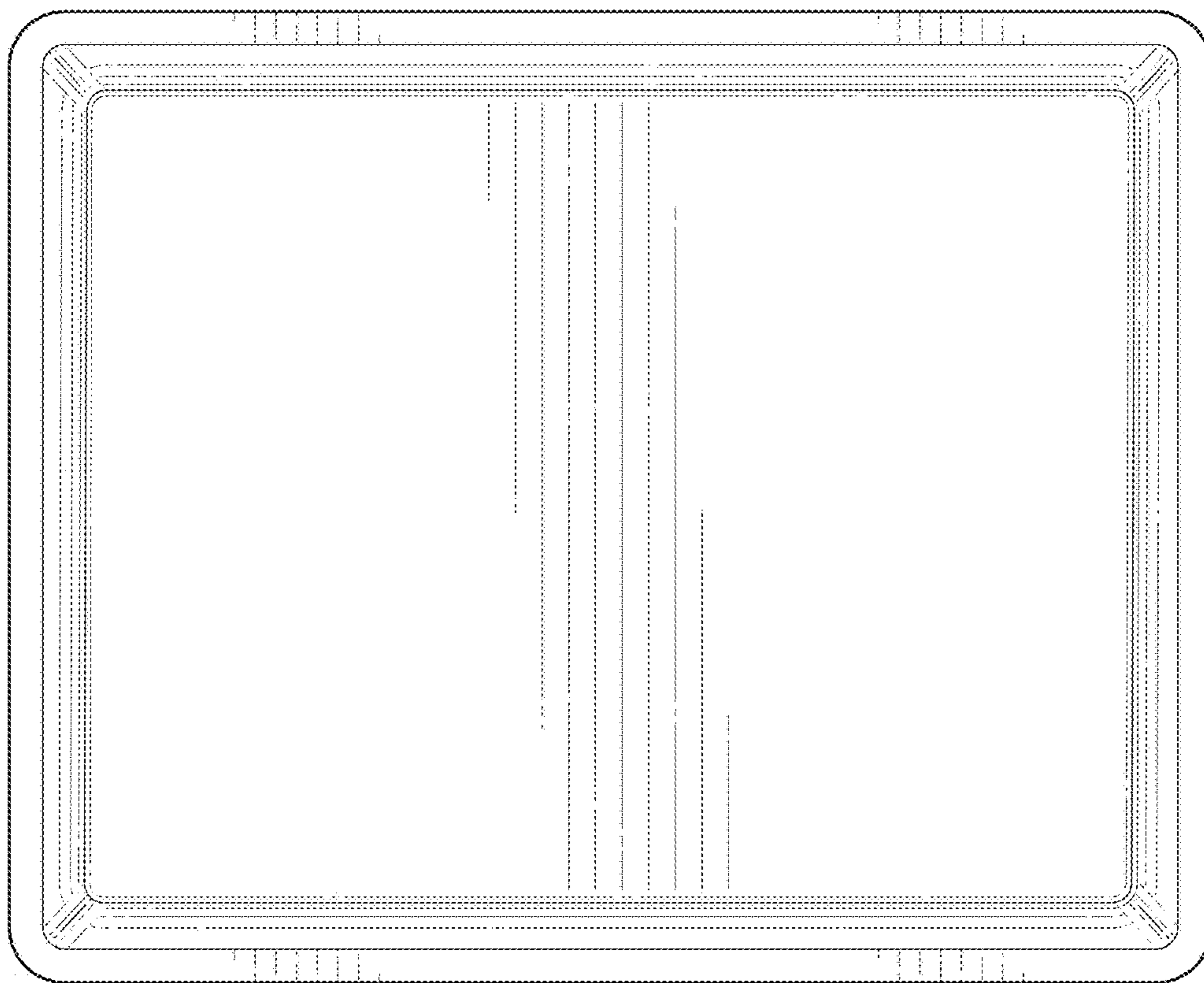


FIG. 3

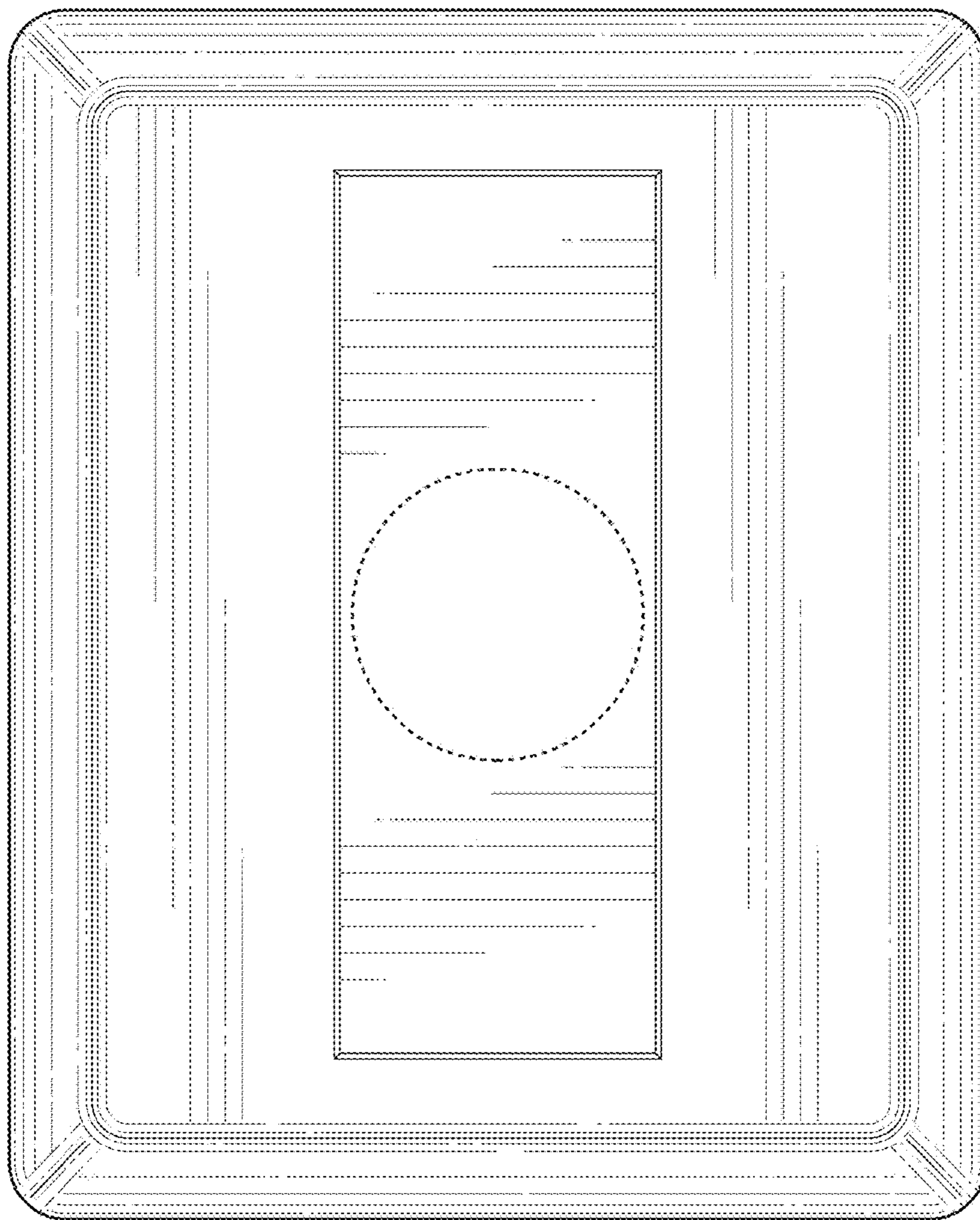


FIG. 4

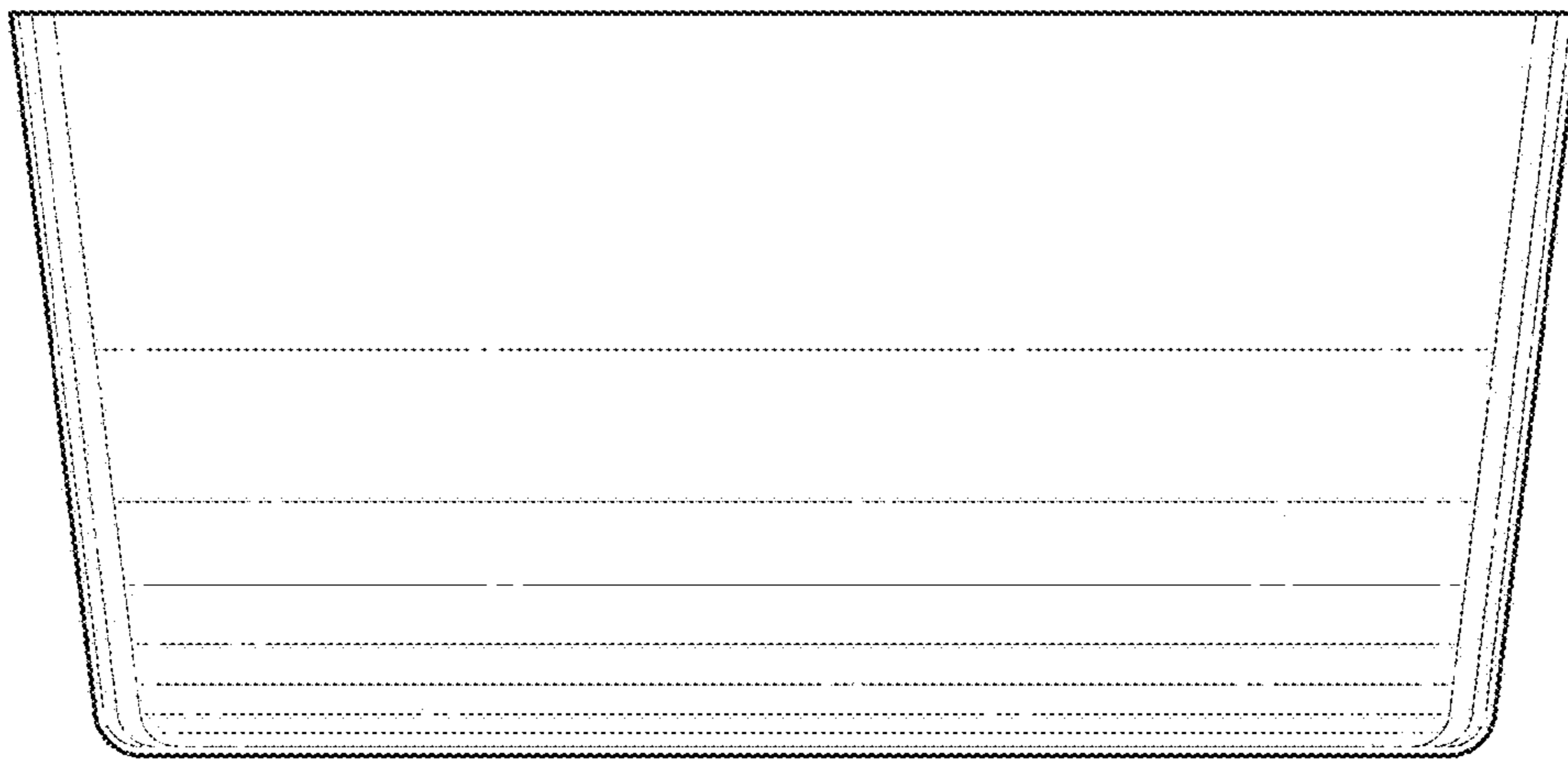


FIG. 5



FIG. 6

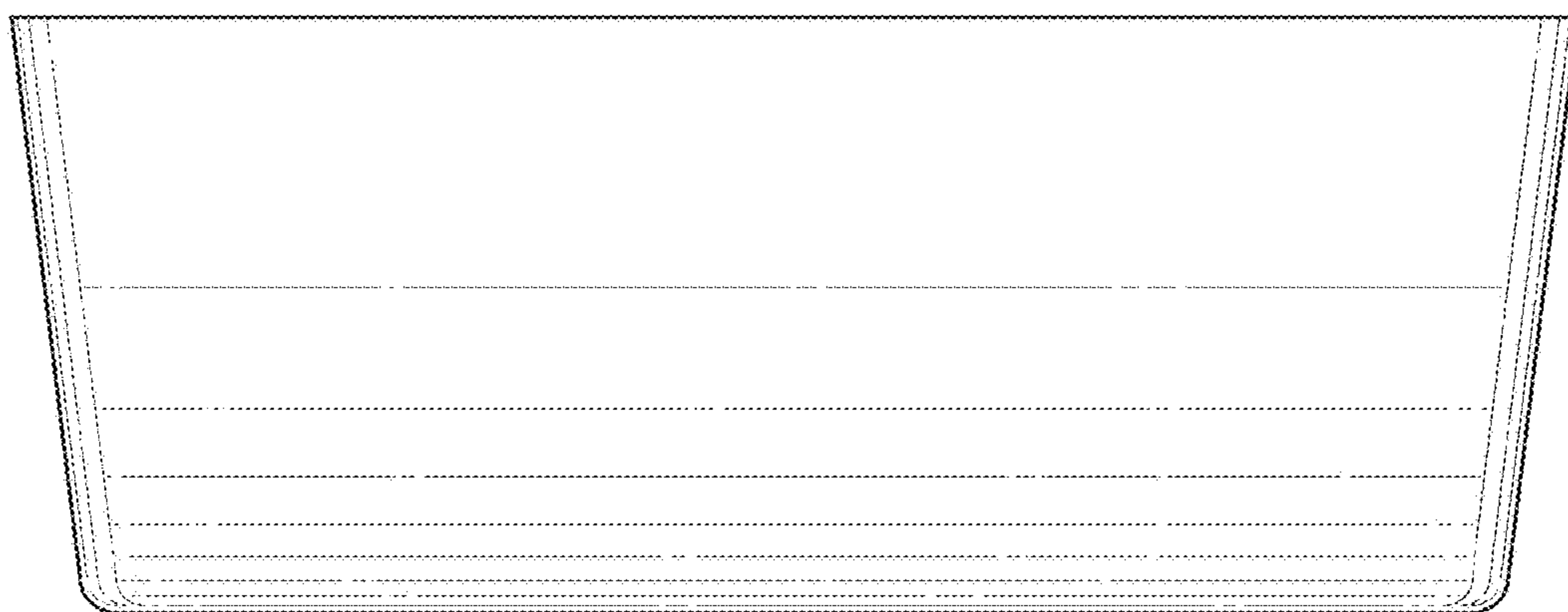


FIG. 7

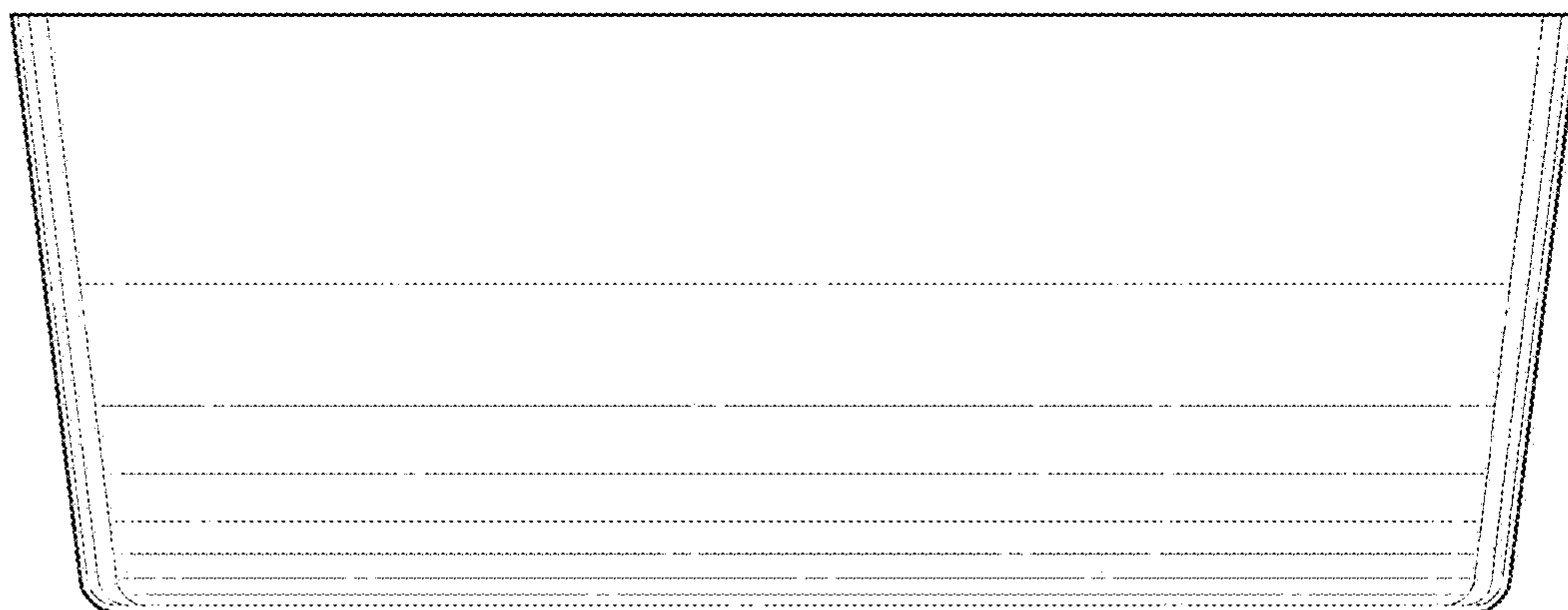


FIG. 8