



US00D822761S

(12) **United States Design Patent** (10) **Patent No.:** **US D822,761 S**
Shoenhair et al. (45) **Date of Patent:** **** *Jul. 10, 2018**

(54) **ENGRAVING MACHINE**

(71) Applicants: **Jordan D. Shoenhair**, Tempe, AZ
(US); **Bryan K. Solace**, Chandler, AZ
(US)

(72) Inventors: **Jordan D. Shoenhair**, Tempe, AZ
(US); **Bryan K. Solace**, Chandler, AZ
(US)

(73) Assignee: **THE HILLMAN GROUP, INC.**,
Cincinnati, OH (US)

(*) Notice: This patent is subject to a terminal disclaimer.

(**) Term: **15 Years**

(21) Appl. No.: **29/555,580**

(22) Filed: **Feb. 23, 2016**

(51) **LOC (11) Cl.** **18-02**

(52) **U.S. Cl.**
USPC **D18/57**

(58) **Field of Classification Search**
USPC D18/57, 14, 19, 50, 53, 54, 56, 59, 36,
D18/38, 39, 40, 41, 45, 34.4, 34.5, 34.6;
D14/301, 307
CPC B44B 5/00; B44B 5/0004; B44B 5/0009;
B44B 5/0014; B44B 5/0019; B44B
5/0023; B44B 5/0028; B44B 5/0033;
B44B 5/0038; B44B 5/0042; B44B
5/0047; B44B 5/0052; B44B 5/0057;
B44B 5/0061; B44B 5/0066; B44B
5/0071; B44B 5/0076; B44B 5/008; B44B
5/0085; B44B 5/009; B44B 5/0095; B44B
5/02; B44B 5/022; B44B 5/024; B44B
5/026; B44B 5/028

See application file for complete search history.

(56) **References Cited**

U.S. PATENT DOCUMENTS

D159,412 S * 7/1950 Franklin D18/57
D209,710 S * 12/1967 Bruce D14/133

D219,496 S * 12/1970 Lebedeff D28/85
D243,648 S * 3/1977 Conroy D11/145
D249,089 S * 8/1978 Studley D11/157
D286,051 S 10/1986 Nakano et al.
D336,896 S 6/1993 Carter
D339,164 S 9/1993 Pearlson
D339,165 S 9/1993 Pearlson

(Continued)

FOREIGN PATENT DOCUMENTS

WO D051596-001 * 7/2000

OTHER PUBLICATIONS

Alpha Card. <URL: [*Primary Examiner* — Thomas Johannes](http://www.alphacard.com/magicard-pronto-id-card-system-pla?kmag=3649-0001-System&utm_source=google&utm_medium=cse&utm_campaign=google&kmas=305&kmca=Product+Listing+Ads&gclid=Cj0KCQjw09zOBRCqARIsAH8XF1ZIZK_pMJ-WMkCDf991PaPqGgFL7Sfr9PT4rGY3WTyMcyjMIm3e9lhUaAhTHEALw_wcB.> Visited Oct. 6, 2017. ID card printer.*</p></div>
<div data-bbox=)

Assistant Examiner — Lauren McVey

(74) *Attorney, Agent, or Firm* — Thompson Hine LLP

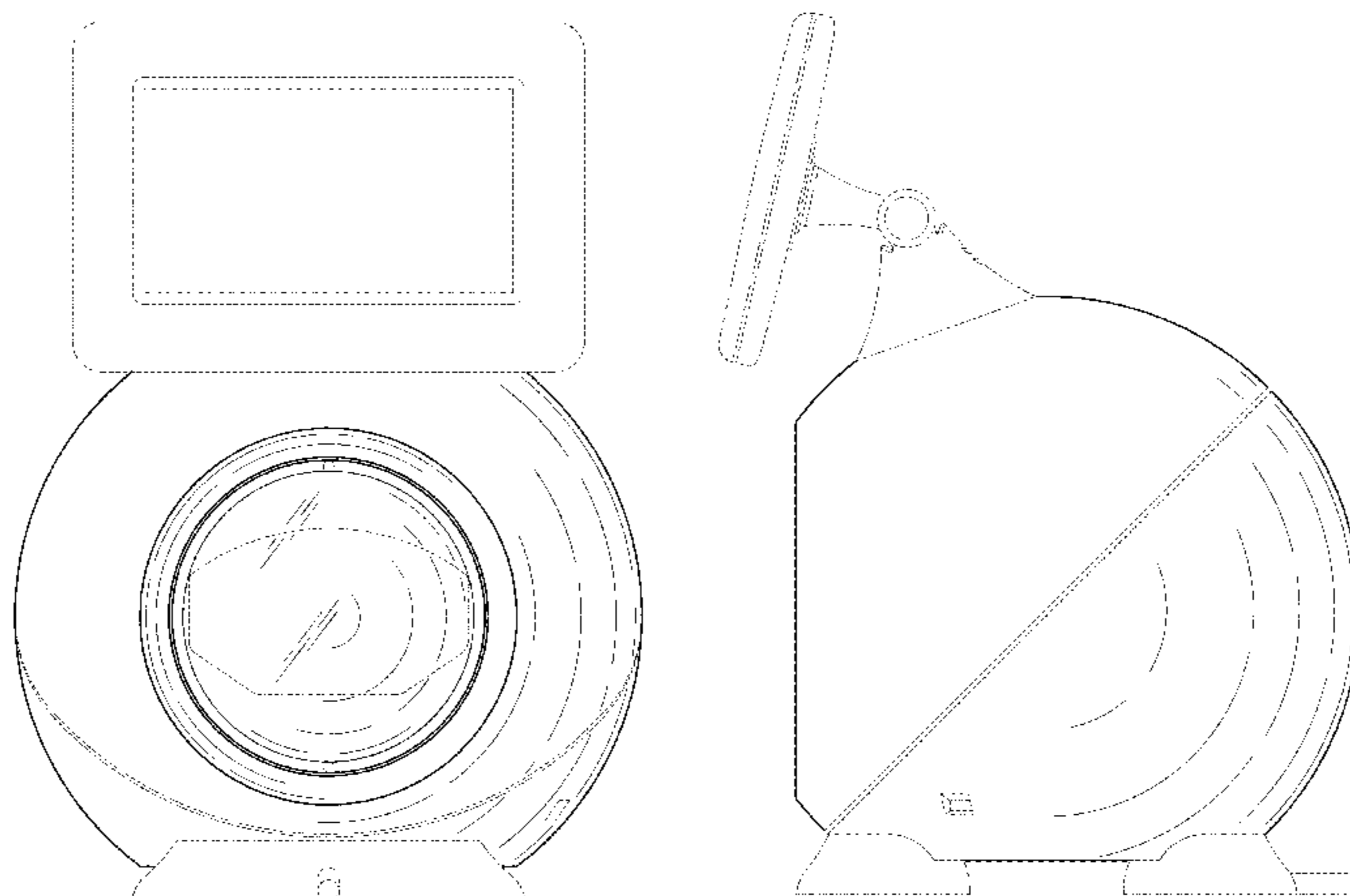
(57) **CLAIM**

The ornamental design for an engraving machine, as shown and described.

DESCRIPTION

FIG. 1 is a perspective view of an engraving machine, showing our new design;
FIG. 2 is a front view thereof;
FIG. 3 is a side view thereof;
FIG. 4 is top view thereof;
FIG. 5 is another side view thereof; and,
FIG. 6 is a rear view thereof.
The broken lines immediately adjacent the shaded areas represent the bounds of the claimed design while all other broken lines are directed to environment and are for illustrative purposes only; the broken lines from no part of the claimed design.

(Continued)



The bottom of the engraving machine forms no part of the claimed design.

1 Claim, 6 Drawing Sheets

(56)

References Cited

U.S. PATENT DOCUMENTS

D339,166 S	9/1993	Pearlson	
D339,167 S	9/1993	Pearlson	
D420,487 S	2/2000	Swaine	
D427,742 S	7/2000	McCormack et al.	
D431,708 S	10/2000	McCormack et al.	
D447,613 S	9/2001	Swaine	
D449,726 S	10/2001	Lin	
D453,754 S	2/2002	Petersen	
D477,838 S	7/2003	Huang	
D511,514 S	11/2005	Sonetaka et al.	
D515,561 S *	2/2006	Sung	D14/300
D517,856 S *	3/2006	Krasne	D7/354
D530,880 S	10/2006	Magee et al.	
D532,826 S *	11/2006	Gomez	D20/3
D550,663 S	9/2007	Olea	
D592,825 S	5/2009	Kang et al.	
D596,373 S	7/2009	Kang et al.	
D609,709 S *	2/2010	Allo Allo	D14/440
D619,649 S *	7/2010	Chen	D18/57
D624,118 S	9/2010	Tarter et al.	
D642,218 S *	7/2011	Sanders	D20/1
D654,079 S *	2/2012	Allo Allo	D14/440
D694,817 S *	12/2013	Adam	D18/19

* cited by examiner

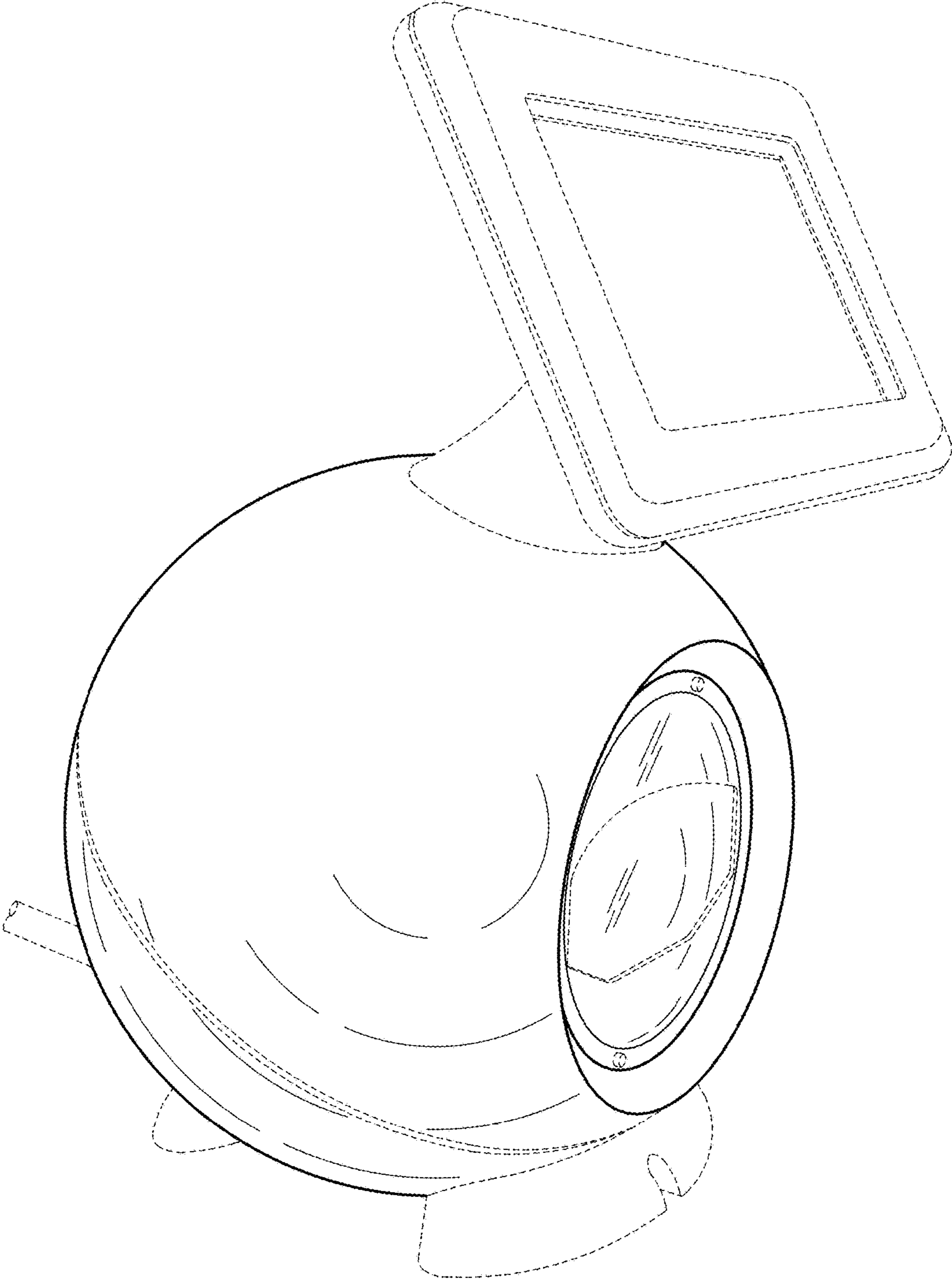


Fig. 1

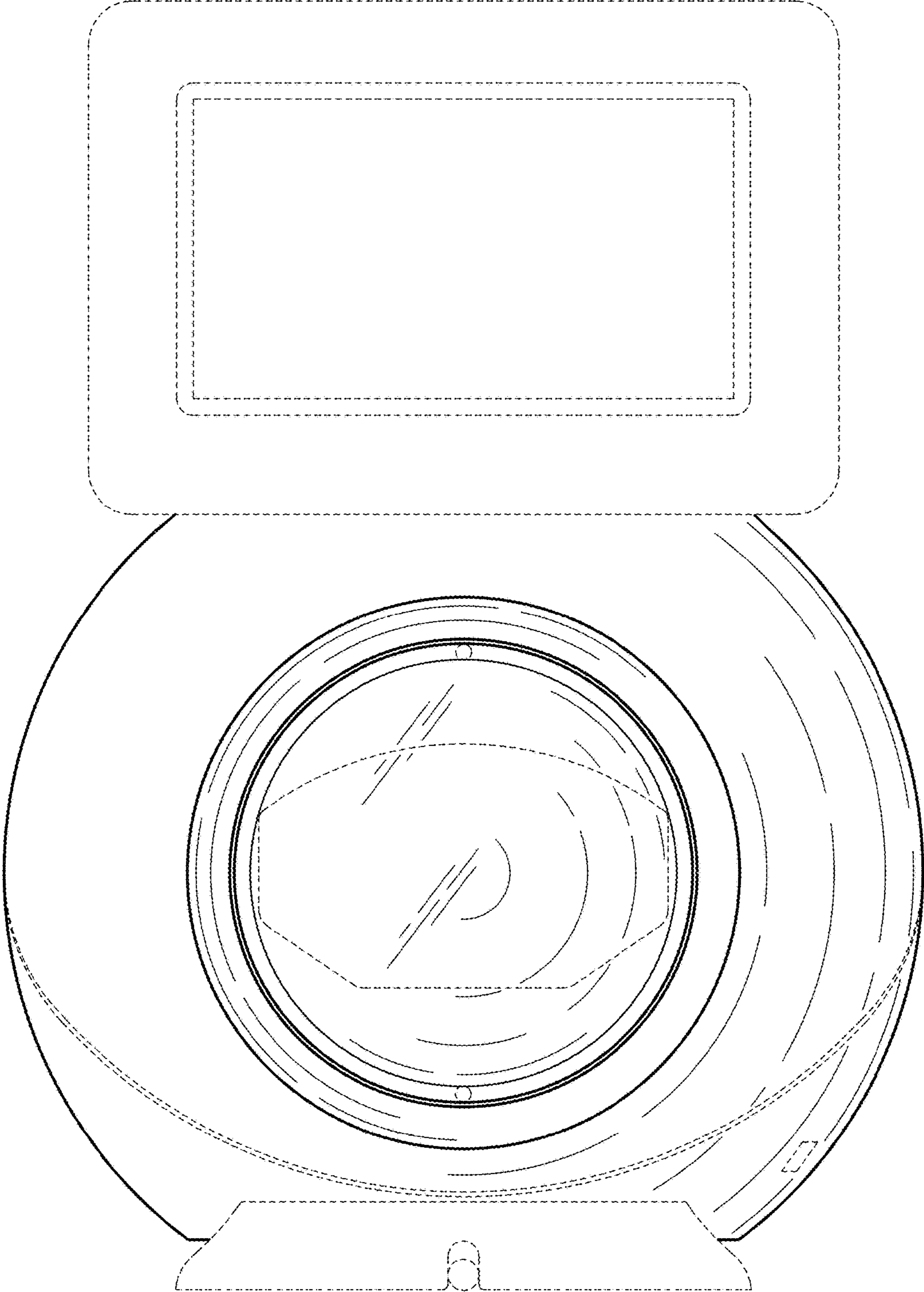


Fig. 2

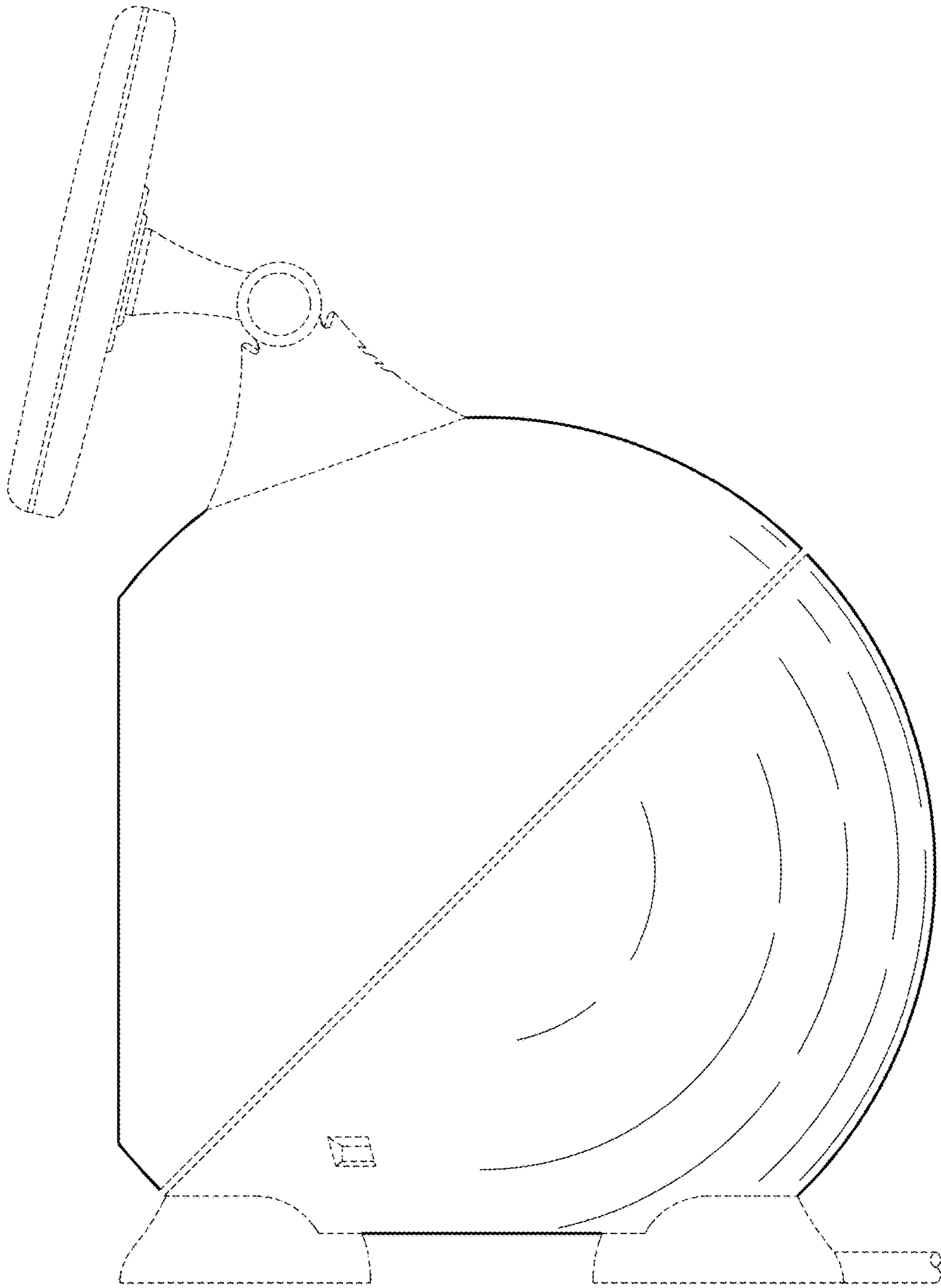


Fig. 3

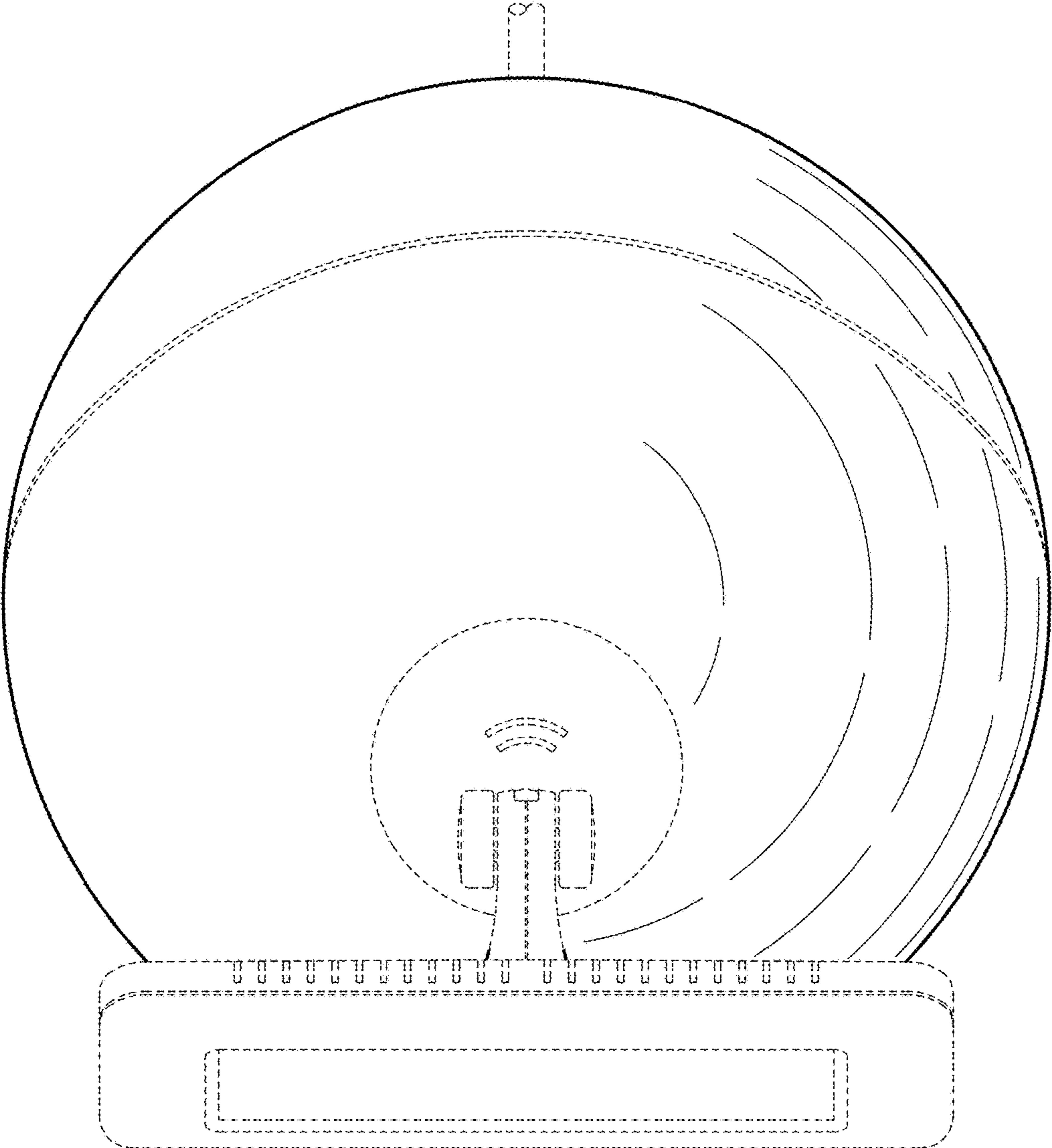


Fig. 4

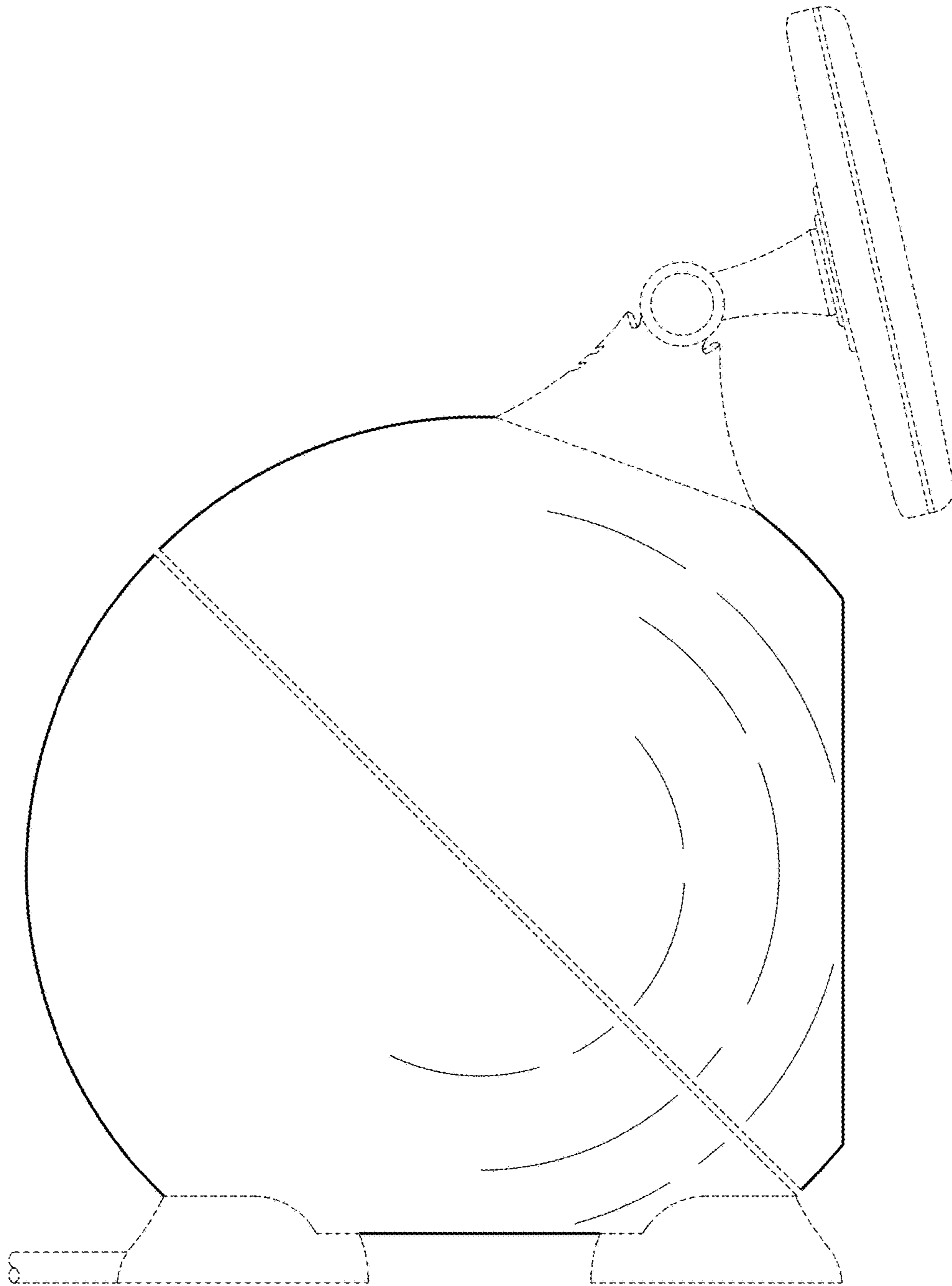


Fig. 5

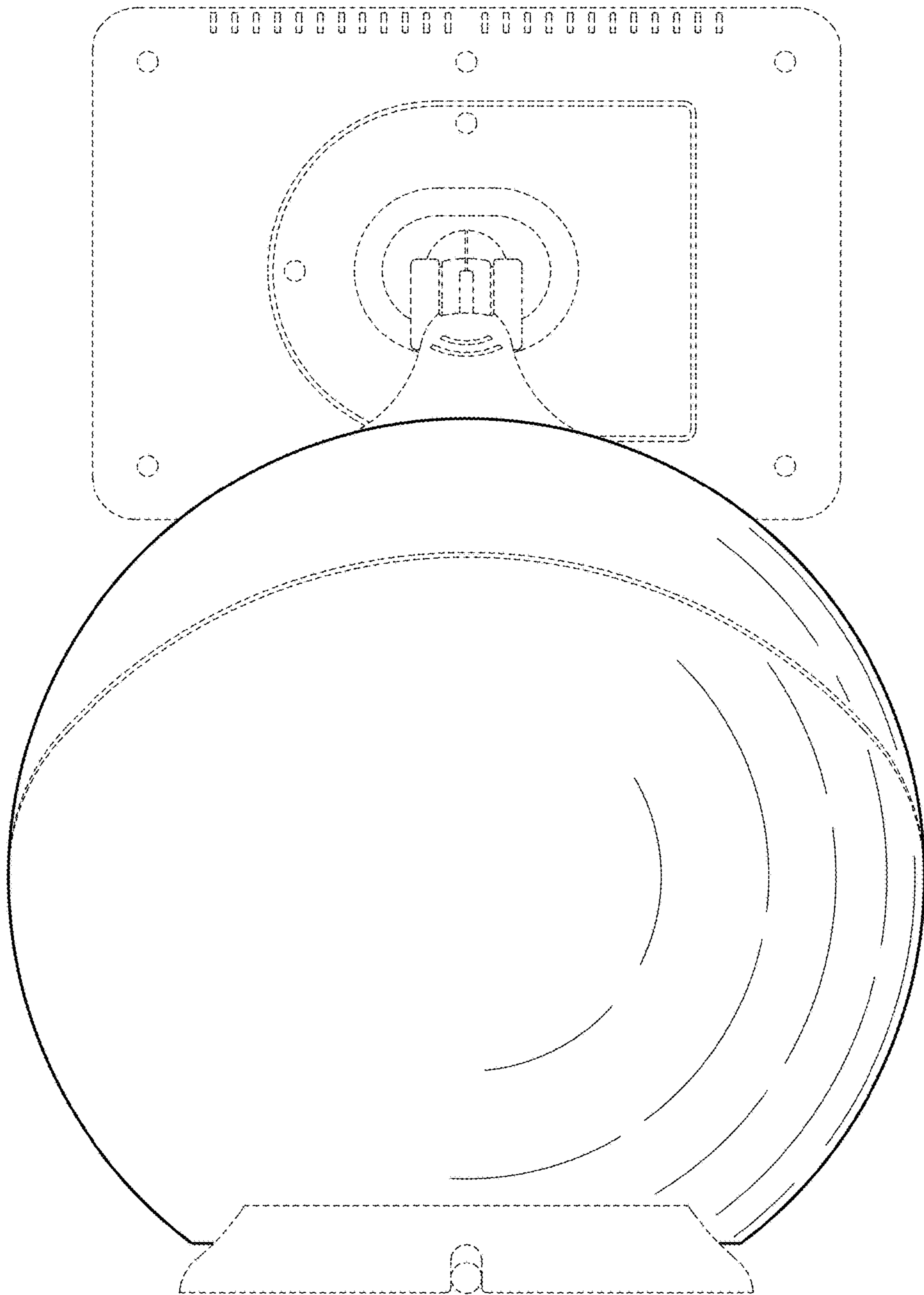


Fig. 6