



US00D822760S

(12) **United States Design Patent** (10) **Patent No.:** **US D822,760 S**
Xia et al. (45) **Date of Patent:** **** Jul. 10, 2018**

(54) **PRINTER**
(71) Applicant: **Zhuhai Seine Technology CO., Ltd.**,
Zhuhai (CN)
(72) Inventors: **Juzheng Xia**, Zhuhai (CN); **Xinchao He**,
Zhuhai (CN); **Tao Liu**, Zhuhai (CN); **Yuechao Ge**,
Zhuhai (CN)
(73) Assignee: **ZHUHAI SEINE TECHNOLOGY CO., LTD.**,
Zhuhai (CN)

D724,141 S * 3/2015 Kim D18/55
D725,184 S * 3/2015 Kim D18/55
D749,169 S * 2/2016 Kil D18/55
D772,977 S * 11/2016 Kim D18/55
D792,923 S * 7/2017 Kim D18/55
D805,578 S * 12/2017 Mita D18/55
D806,791 S * 1/2018 Tashima D18/50
D809,593 S * 2/2018 Tashima D18/50
D810,194 S * 2/2018 Kim D18/50
D814,561 S * 4/2018 Huang D18/55
2016/0332832 A1* 11/2016 Okura B65H 5/26
2017/0248902 A1* 8/2017 Yamamoto G03G 21/1633
2017/0300004 A1* 10/2017 Ohashi G03G 21/1633
2018/0060707 A1* 3/2018 Yoshida B65H 5/062

(**) Term: **15 Years**

* cited by examiner

(21) Appl. No.: **29/576,956**

Primary Examiner — Robin V Webster

(22) Filed: **Sep. 8, 2016**

Assistant Examiner — James C Thorn, Sr.

(30) **Foreign Application Priority Data**

(74) *Attorney, Agent, or Firm* — Anova Law Group,
PLLC

Mar. 11, 2016 (CN) 2016-30069443

(51) **LOC (11) Cl.** **18-02**

(57) **CLAIM**

The ornamental design for a printer, as shown and described.

(52) **U.S. Cl.**
USPC **D18/50**

DESCRIPTION

(58) **Field of Classification Search**
USPC 347/3; D18/50, 55, 36-37, 39, 54.1
CPC ... B41J 11/00; B41J 11/58; B41J 15/00; B41J
15/12; B41J 15/42; G03G 21/1633; G06K
15/12

FIG. 1 is a front perspective view of a printer showing my
new design;
FIG. 2 is a front view thereof;
FIG. 3 is a top view thereof;
FIG. 4 is a left view thereof;
FIG. 5 is a right view thereof;
FIG. 6 is a rear view thereof; and,
FIG. 7 is another front perspective view thereof.

See application file for complete search history.

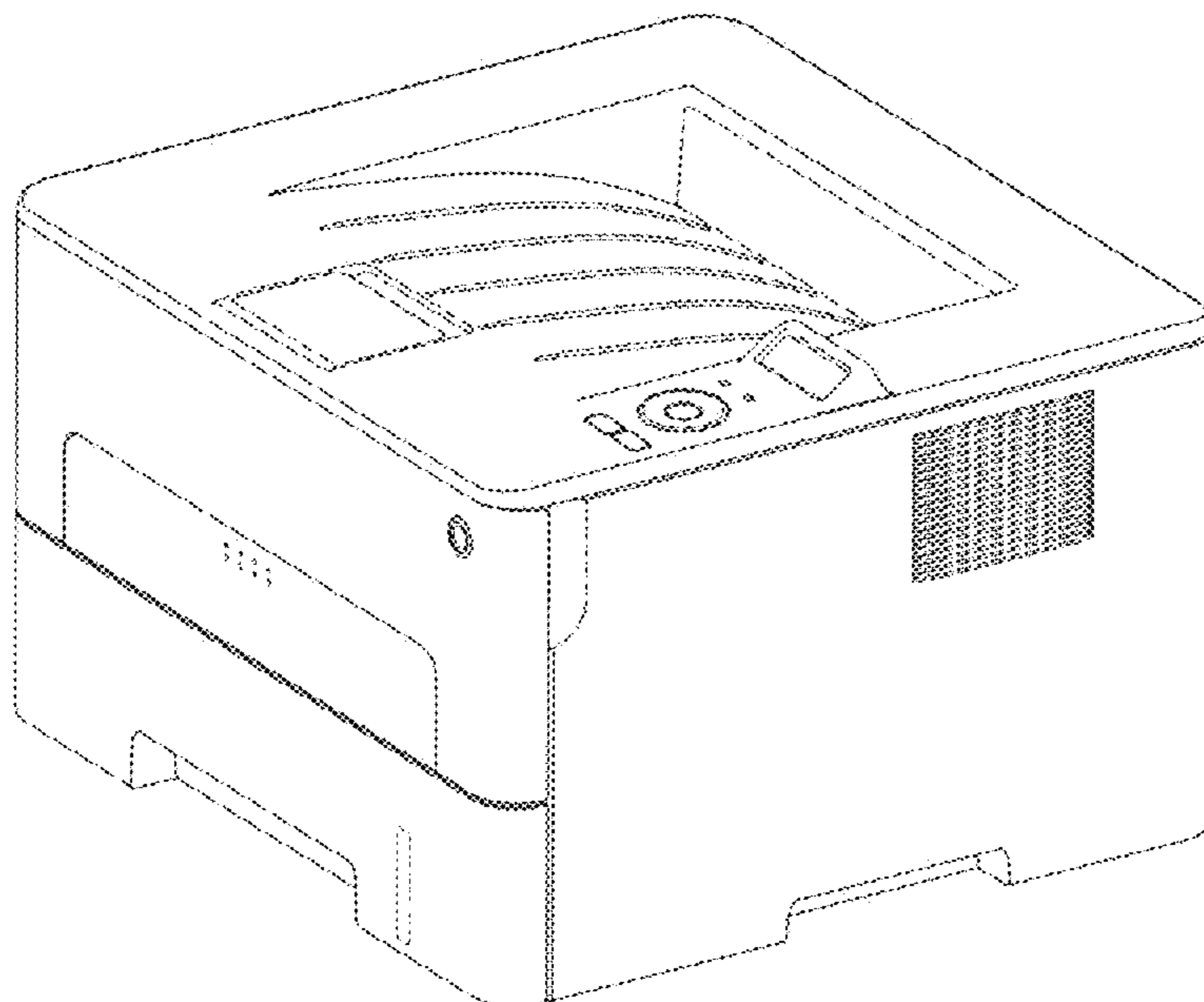
The broken lines in the figures show portions of the printer
that depict environmental subject matter and/or an
unclaimed boundary line, forming no part of the claimed
design.

(56) **References Cited**

U.S. PATENT DOCUMENTS

D584,348 S * 1/2009 Boo D18/55
D647,132 S * 10/2011 Kim D18/55
D696,343 S * 12/2013 Kim D18/55
D723,616 S * 3/2015 Nakagawa D18/55

1 Claim, 4 Drawing Sheets



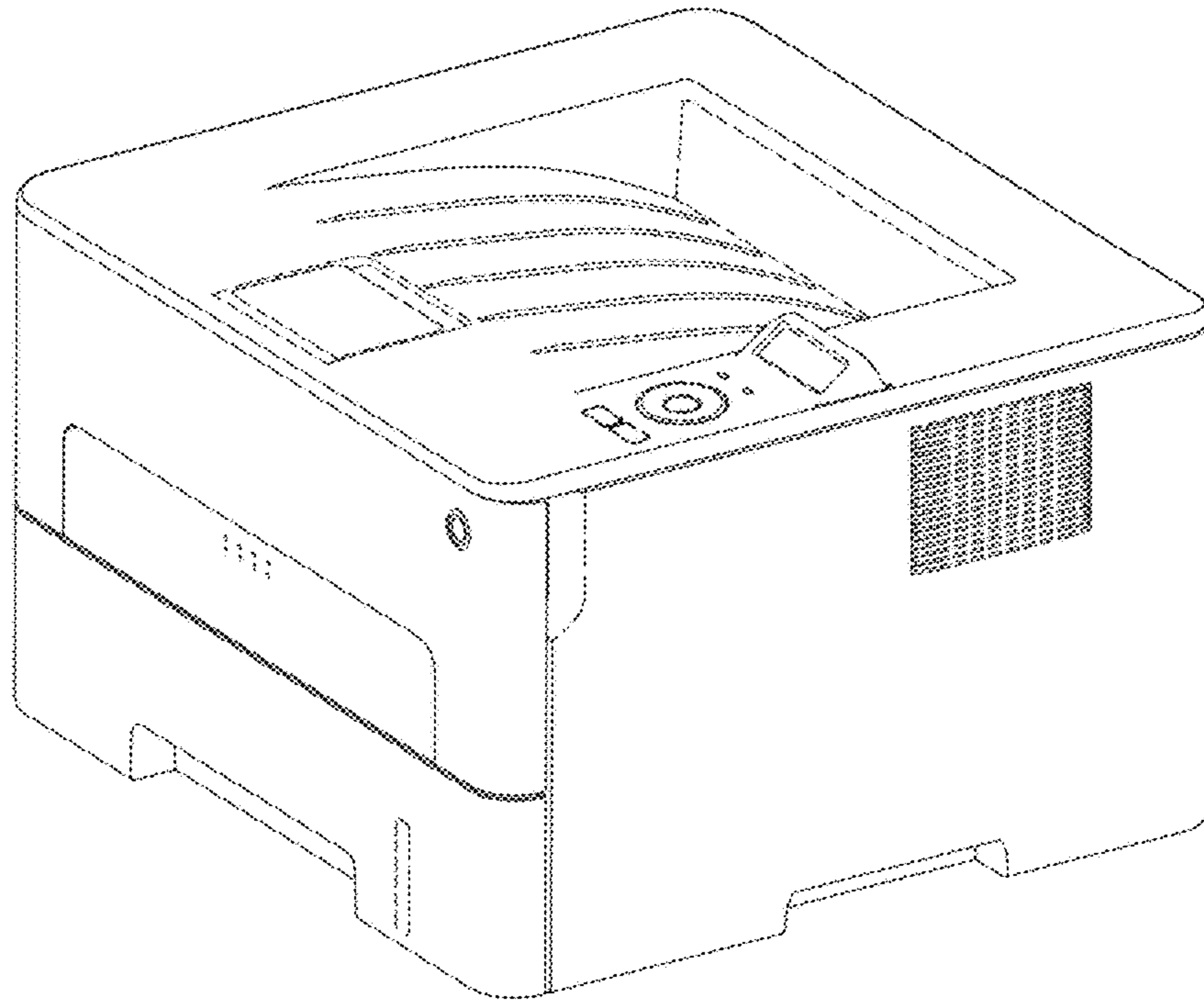


FIG. 1

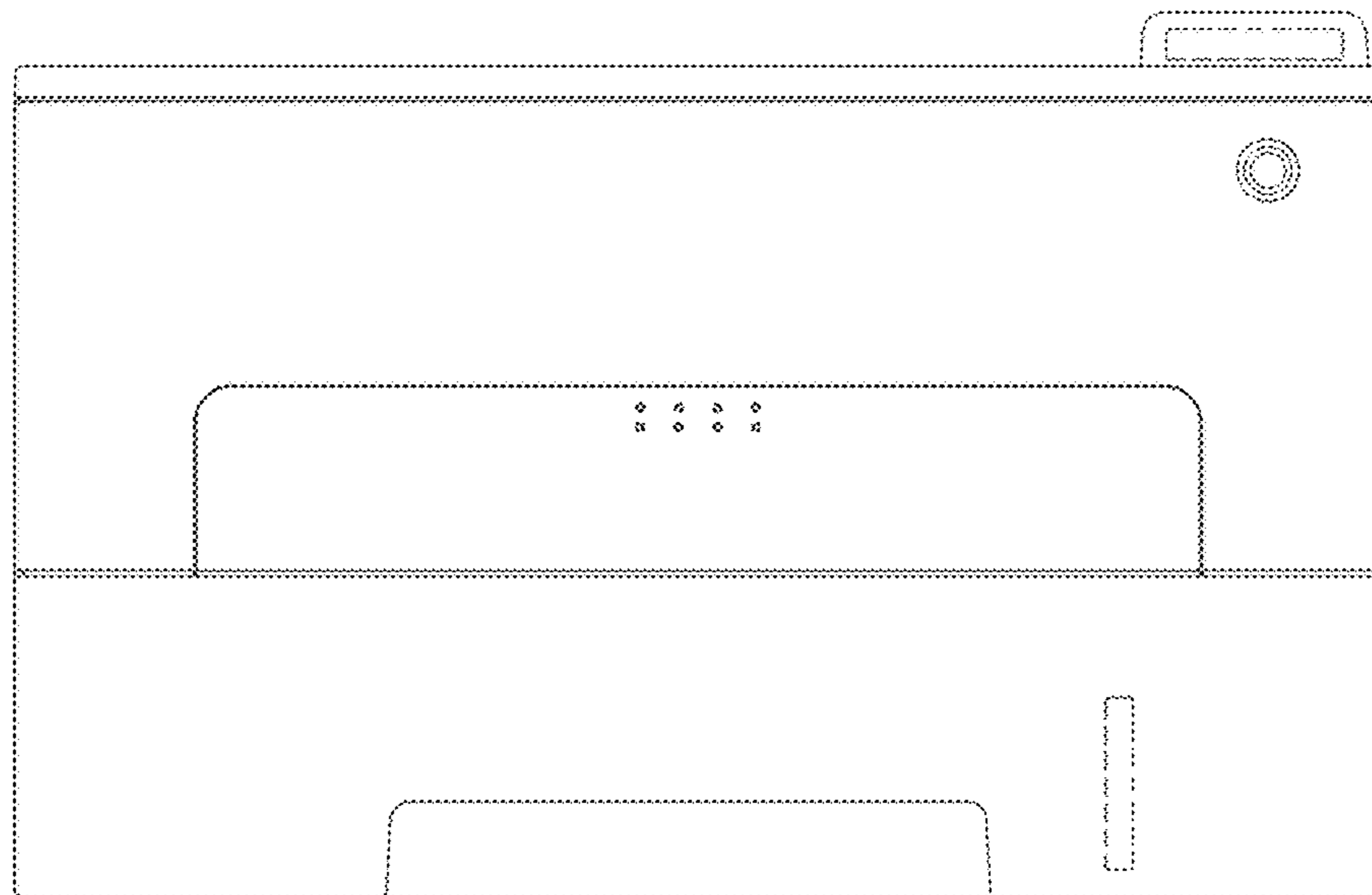


FIG. 2

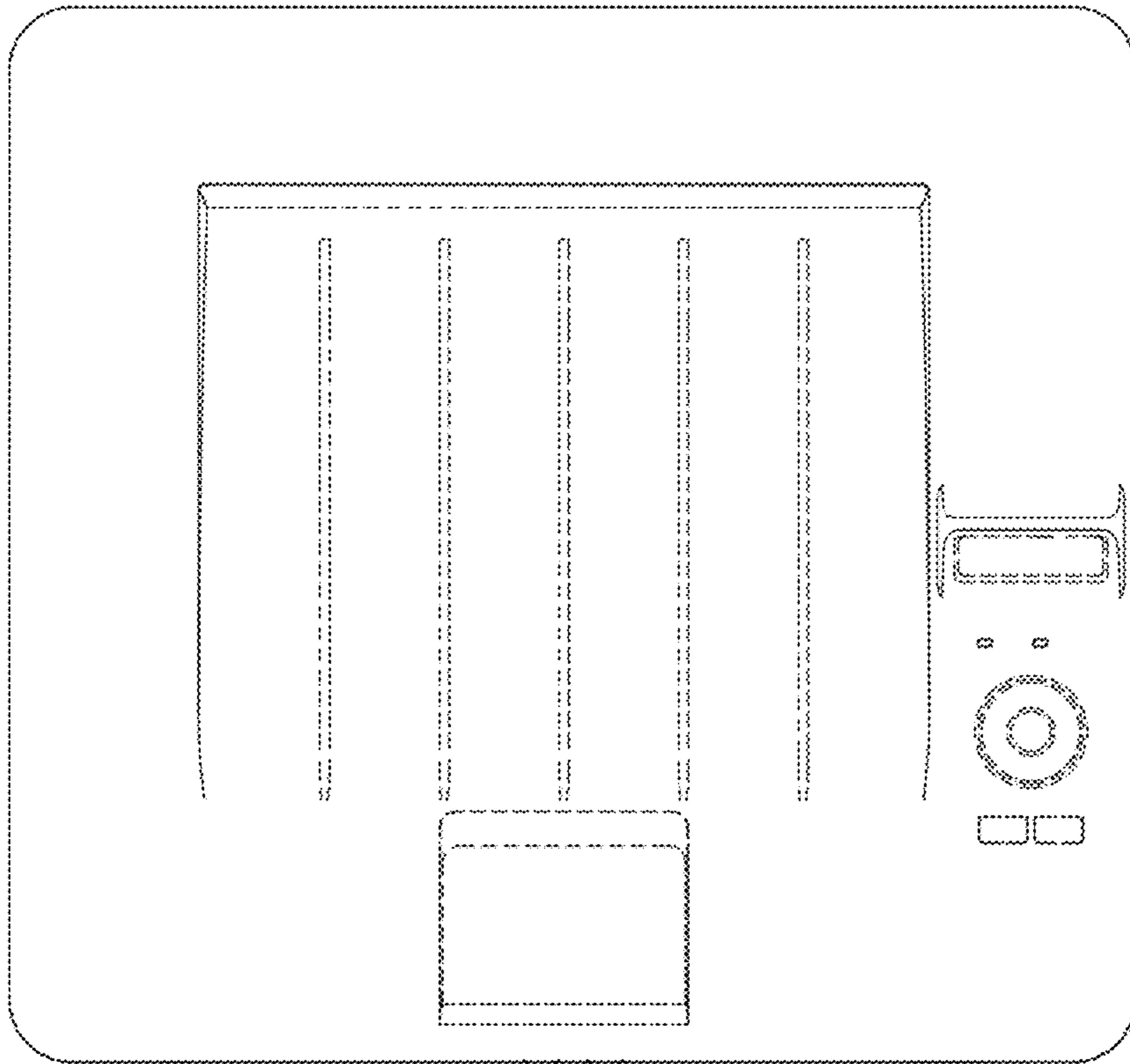


FIG. 3

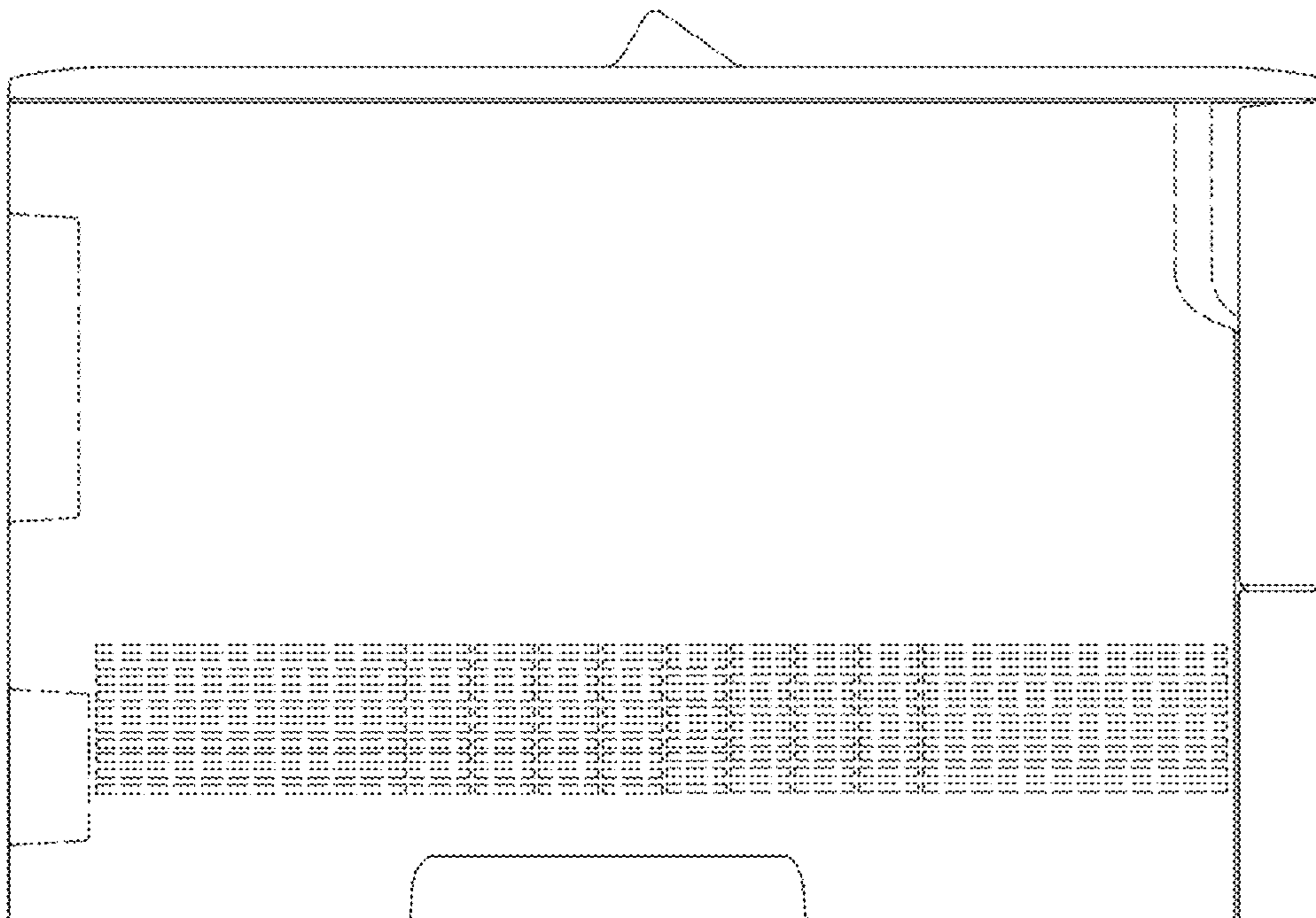


FIG. 4

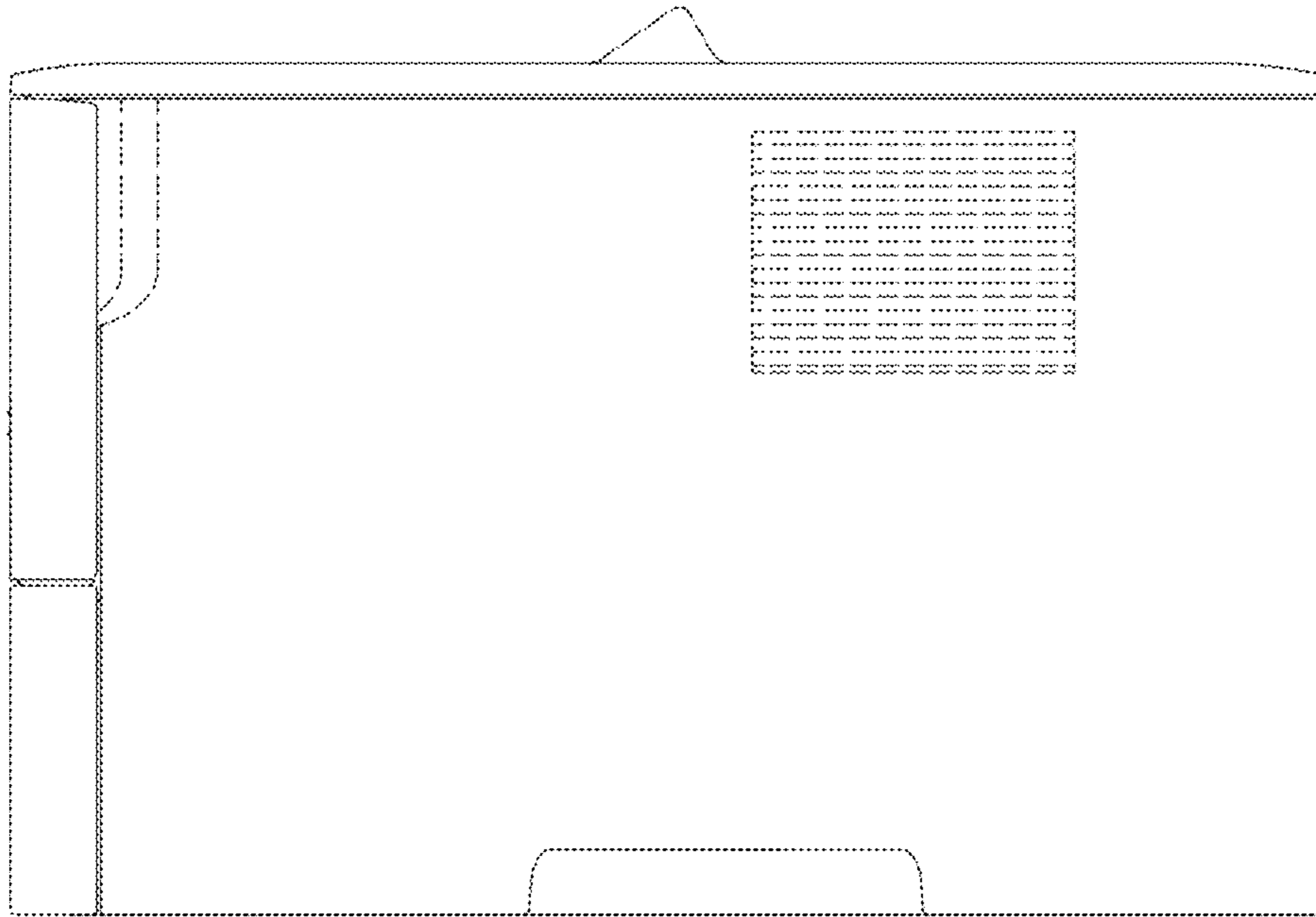


FIG. 5

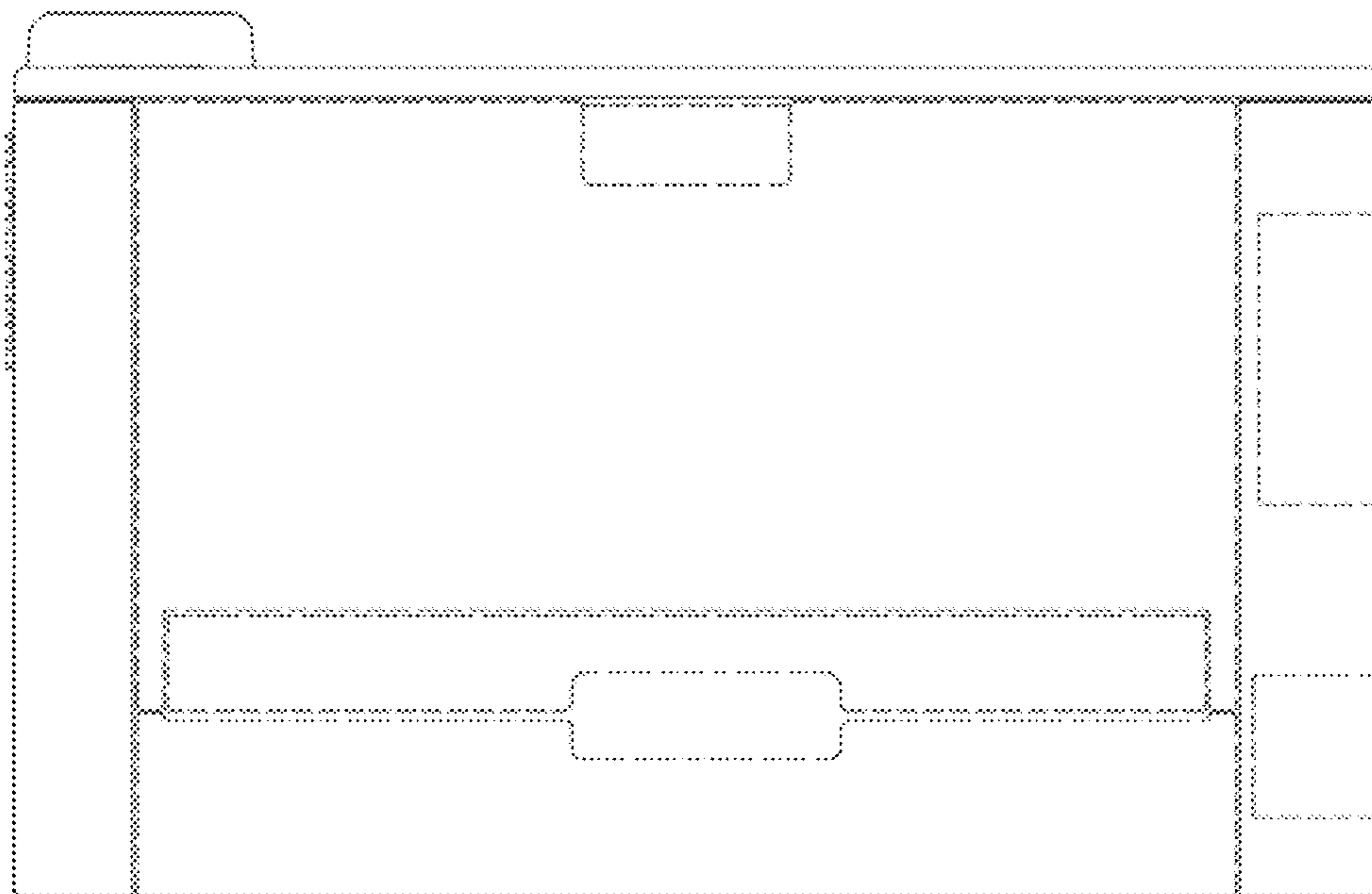


FIG. 6

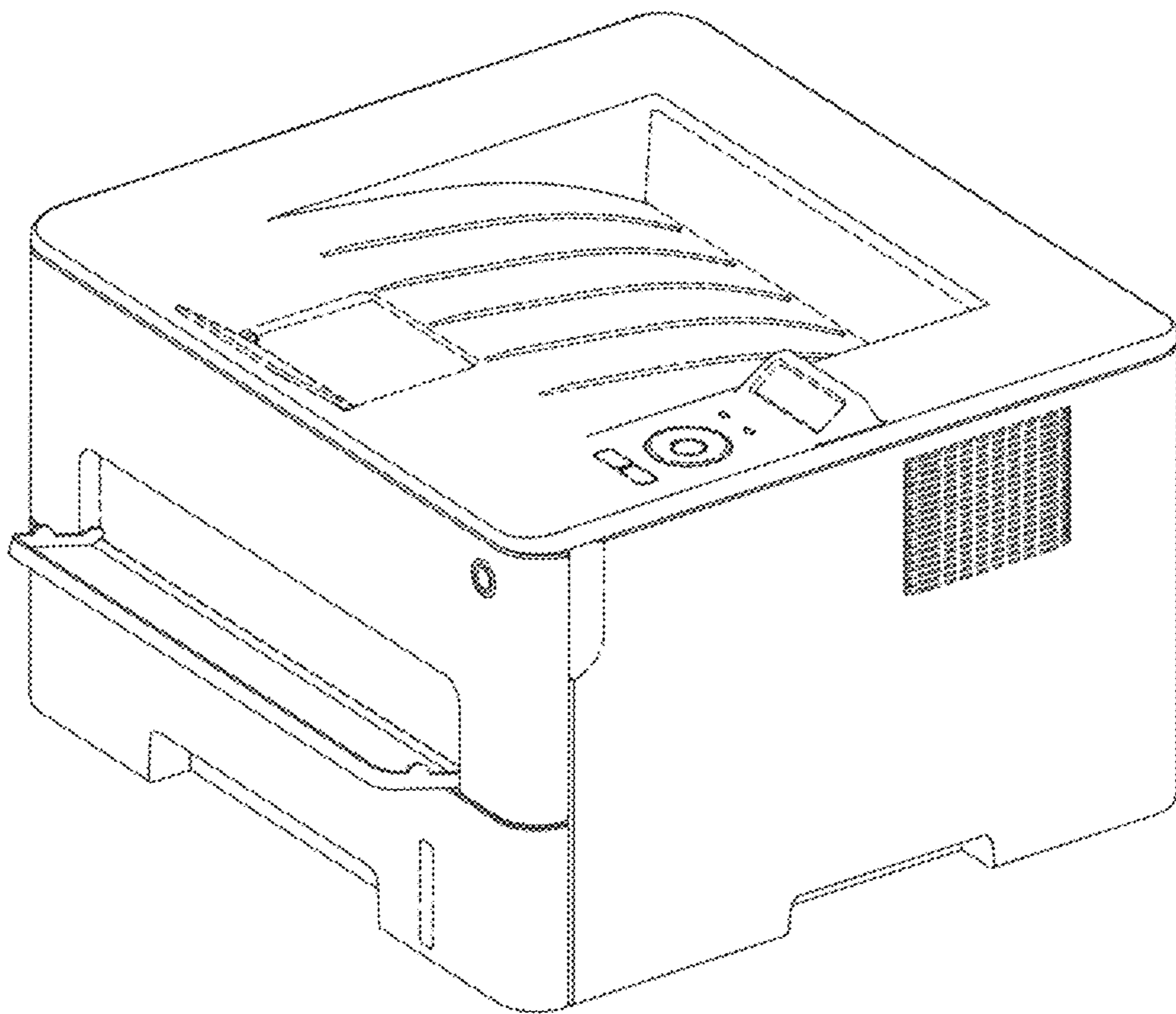


FIG. 7