



US00D822756S

(12) **United States Design Patent** (10) **Patent No.:** **US D822,756 S**
Rognlien et al. (45) **Date of Patent:** **** Jul. 10, 2018**

(54) **INSTRUMENT STRING WINDER**

FOREIGN PATENT DOCUMENTS

(71) Applicant: **Music Nomad, LLC**, Sonoma, CA (US)

DE 2322824 A1 * 11/1974 G10D 3/006
DE 102004004703 A1 * 8/2005 G10D 3/006
(Continued)

(72) Inventors: **Rand Rognlien**, Sonoma, CA (US);
Pieter Schouten, Berkley, CA (US)

OTHER PUBLICATIONS

(73) Assignee: **Music Nomad, LLC**, Sonoma, CA (US)

Amazon, Duramake Heavy Duty Universal Instrument String Winder, first available on Nov. 6, 2015, [online], [site visited on May 3, 2017]. Available from Internet, <URL: https://www.amazon.com/gp/product/B017NCEQB6/ref=s9_hps_ft_g267_i6>.*
(Continued)

(**) Term: **15 Years**

(21) Appl. No.: **29/572,131**

Primary Examiner — Sheryl Lane
Assistant Examiner — Samantha N Wood
(74) *Attorney, Agent, or Firm* — Bond Schoeneck & King, PLLC; George McGuire

(22) Filed: **Jul. 25, 2016**

(51) **LOC (11) Cl.** **17-03**

(52) **U.S. Cl.**
USPC **D17/20**

(58) **Field of Classification Search**
USPC D17/20, 21, 99; D8/14, 51, 52, 56, 300, D8/307, 308, 309, 349, 354, 355, 356, D8/358, 359; D19/74
CPC G10G 7/00; G10G 7/005; G10G 7/02; G10D 3/00; G10D 3/003; G10D 3/006; G10D 3/10; G10D 3/14; G10D 3/143; G10D 3/146

See application file for complete search history.

(57) **CLAIM**

The ornamental design for an instrument string winder, as shown and described.

DESCRIPTION

FIG. 1 is a perspective view of an instrument string winder; FIG. 2 is a top plan view of the instrument string winder shown in FIG. 1; FIG. 3 is a bottom plan of the instrument string winder shown in FIG. 1; FIG. 4 is a front elevation view of the instrument string winder shown in FIG. 1; and FIG. 5 is a rear elevation view of the instrument string winder shown in FIG. 1; FIG. 6 is a right side elevation view of the instrument string winder shown in FIG. 1; and, FIG. 7 is a left side elevation view of the instrument string winder shown in FIG. 1. The broken lines are included for the purpose of illustrating portions of an instrument string winder and form no part of the claimed design.

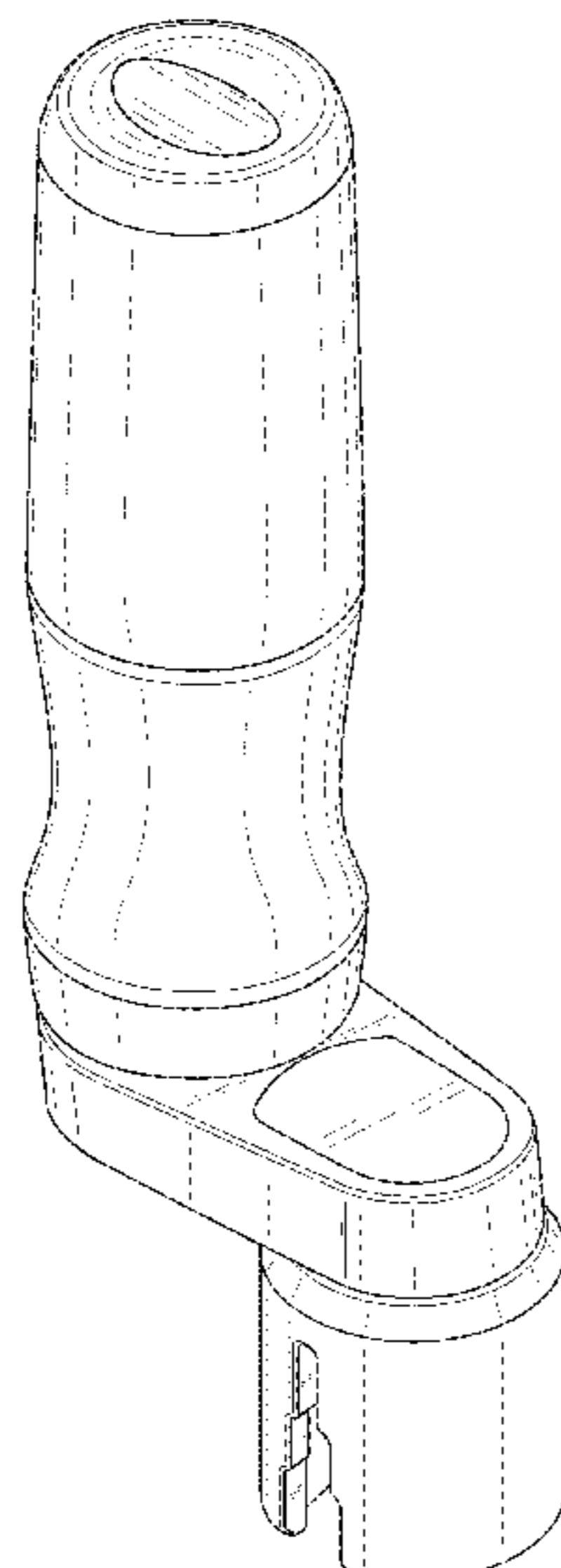
(56) **References Cited**

U.S. PATENT DOCUMENTS

2,812,682 A * 11/1957 Longone G10D 3/006
16/426
3,706,254 A * 12/1972 Morin G10D 3/006
84/297 R
D258,486 S * 3/1981 Wallace D7/395
D292,550 S * 11/1987 Jackson 74/545
5,445,339 A * 8/1995 Reazer B65H 18/103
242/350

(Continued)

1 Claim, 6 Drawing Sheets



(56)

References Cited

U.S. PATENT DOCUMENTS

D373,299 S * 9/1996 Hall D8/309
 D412,011 S * 7/1999 Rice 84/458
 D442,209 S * 5/2001 Dervis 84/458
 D530,977 S * 10/2006 Timm D7/395
 D553,738 S * 10/2007 Simonson D24/133
 D554,480 S * 11/2007 Richwine D8/359
 D570,659 S * 6/2008 Lin D8/51
 7,534,946 B1 * 5/2009 Oxenhandler G10D 3/006
 84/298
 D725,977 S * 4/2015 Tsai D8/14
 D745,361 S * 12/2015 Glasband D8/309
 2006/0027075 A1 * 2/2006 Hirayama G10D 3/14
 84/455
 2007/0012157 A1 * 1/2007 D'Addario G10D 3/006
 84/304
 2007/0193430 A1 * 8/2007 Jang G10D 3/006
 84/313
 2011/0017047 A1 * 1/2011 Barron G10D 3/006
 84/458
 2014/0124149 A1 * 5/2014 Ho E06B 9/303
 160/170

FOREIGN PATENT DOCUMENTS

GB 1395865 A * 5/1975 G10D 3/006
 JP 2009042698 A * 2/2009
 WO WO 9510829 A1 * 4/1995 G10D 3/006
 WO WO 0023980 A1 * 4/2000 G10D 3/006

OTHER PUBLICATIONS

Amazon, String Winder, first available on Jan. 29, 2006, [online], [site visited on May 3, 2017]. Available from Internet, <URL: https://www.amazon.com/Shubb-W1-String-Winder/dp/B000EEH8LG/ref=sr_1_1?s=musical-instruments&ie=UTF8&clid=1493830261&sr=1-1&keywords=instrument+string+winder>.*
 Amazon, Sodial Guitar Bass Peg String Winder, first available on Sep. 26, 2013, [online], [site visited on May 3, 2016]. Available from Internet, <URL: https://www.amazon.com/Sodial-Guitar-String-Winder-Remover-Black/dp/B00C3BRHOG/ref=sr_1_74?s=musical-instruments&ie=UTF8&qid=1493830705&sr=1-74&keywords=instrument+string+winder>.*

* cited by examiner

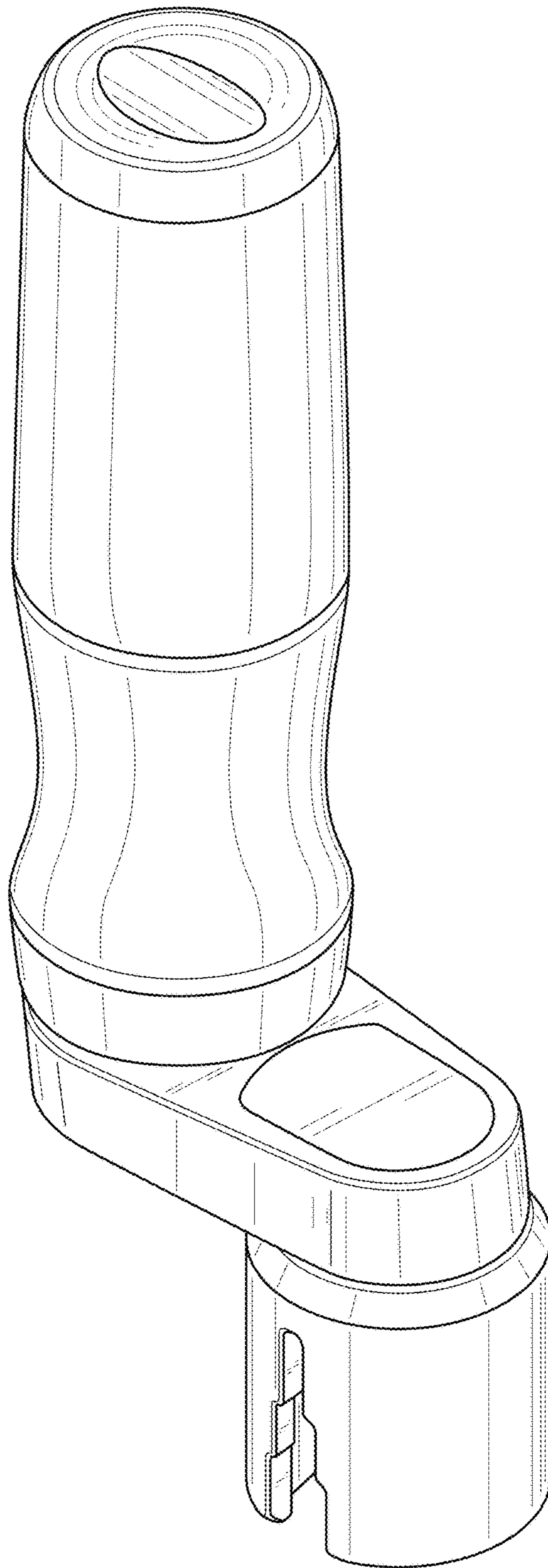


FIG. 1

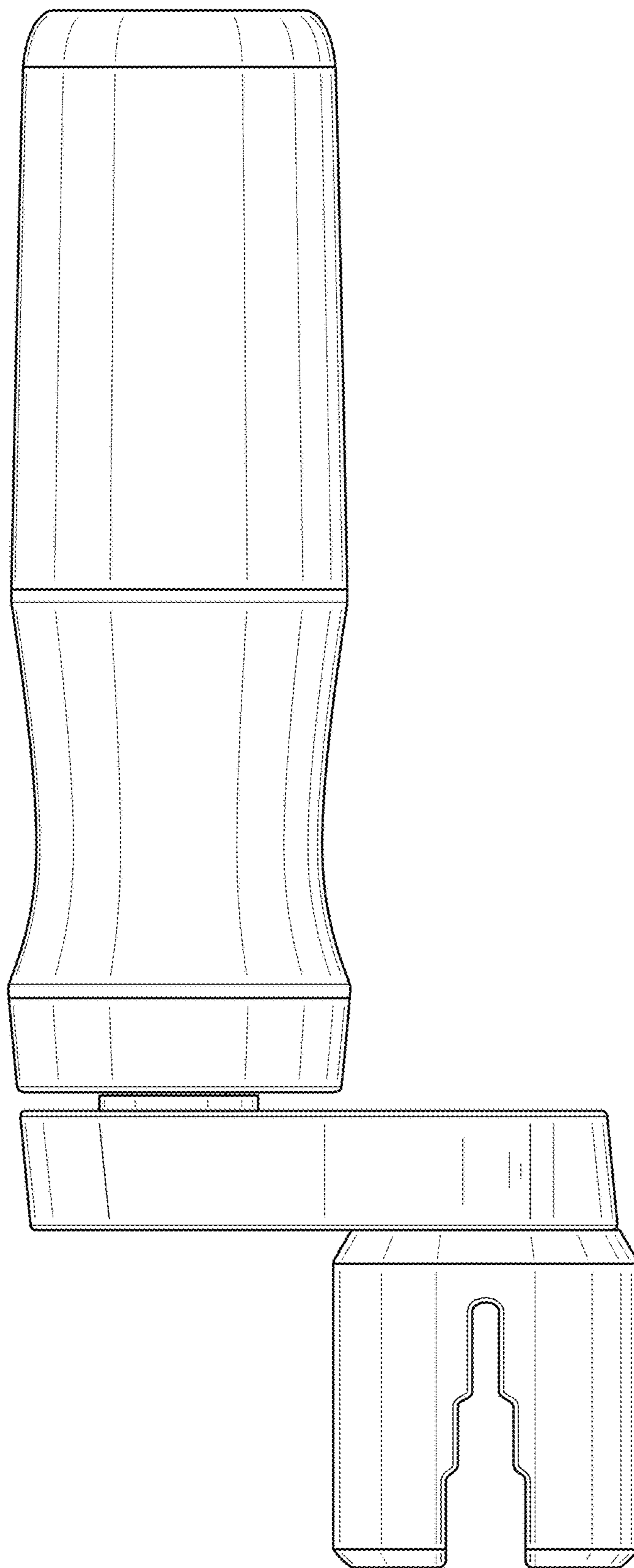


FIG. 2

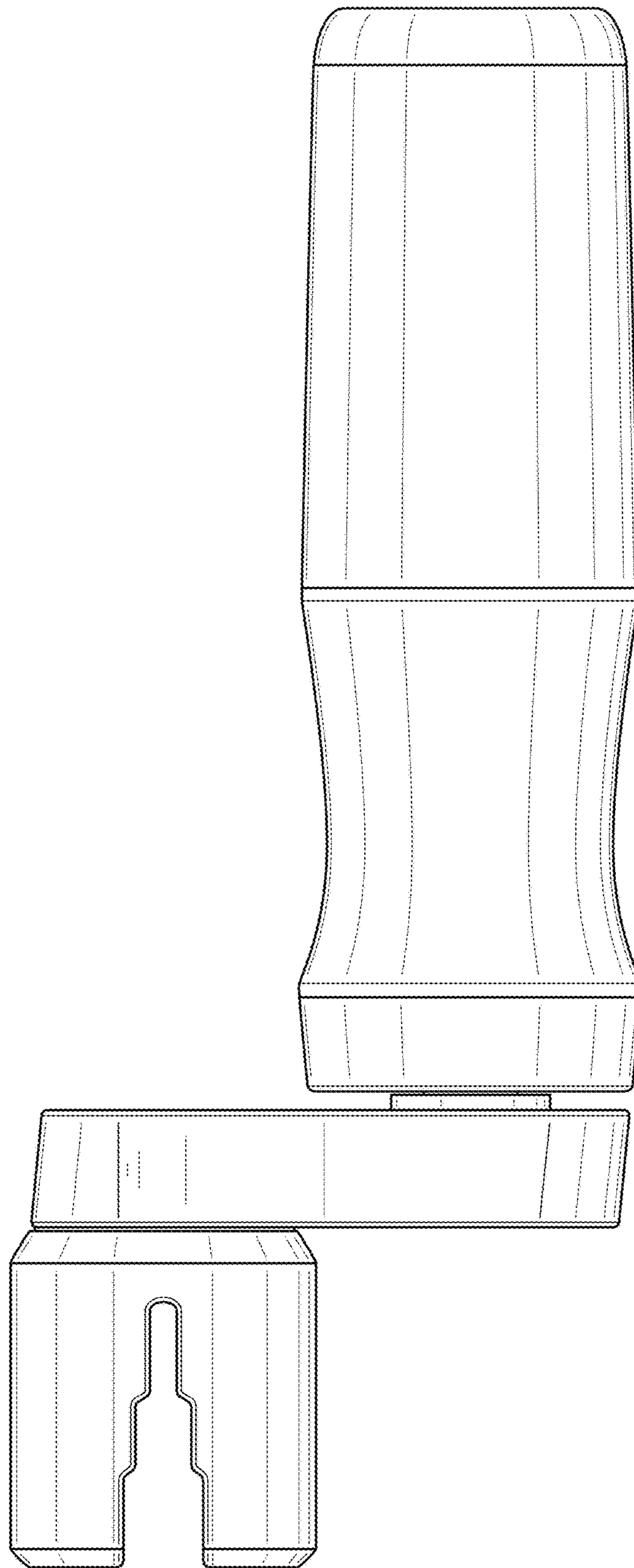


FIG. 3

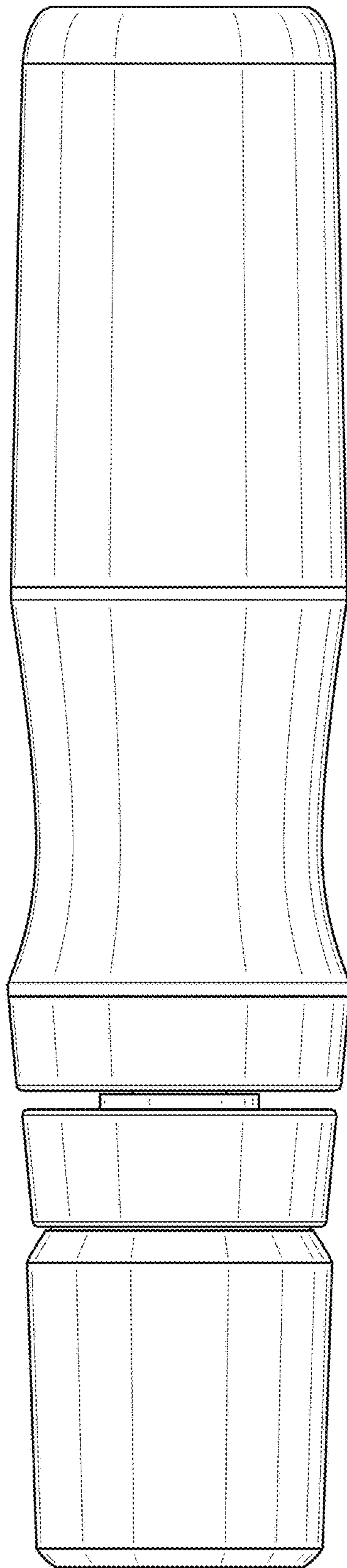


FIG. 4

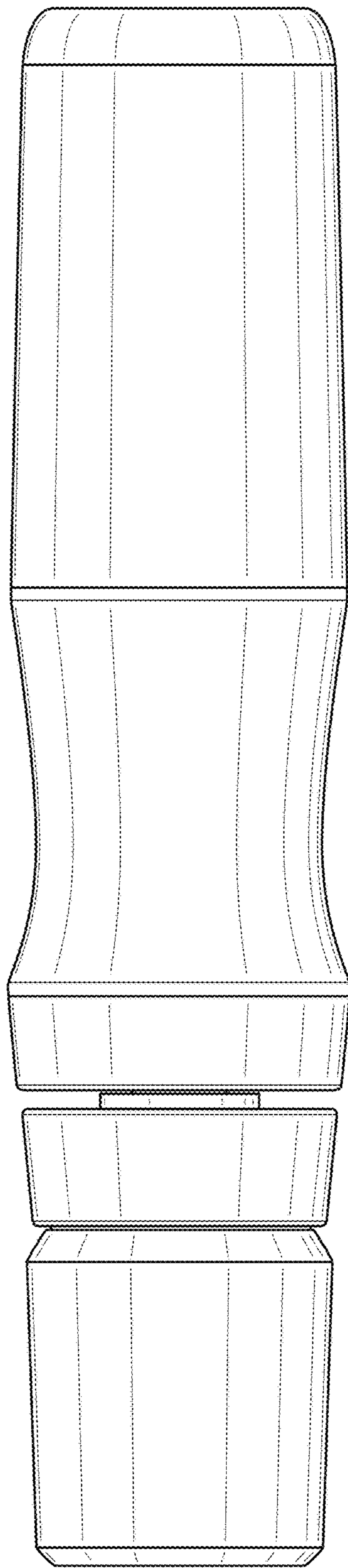


FIG. 5

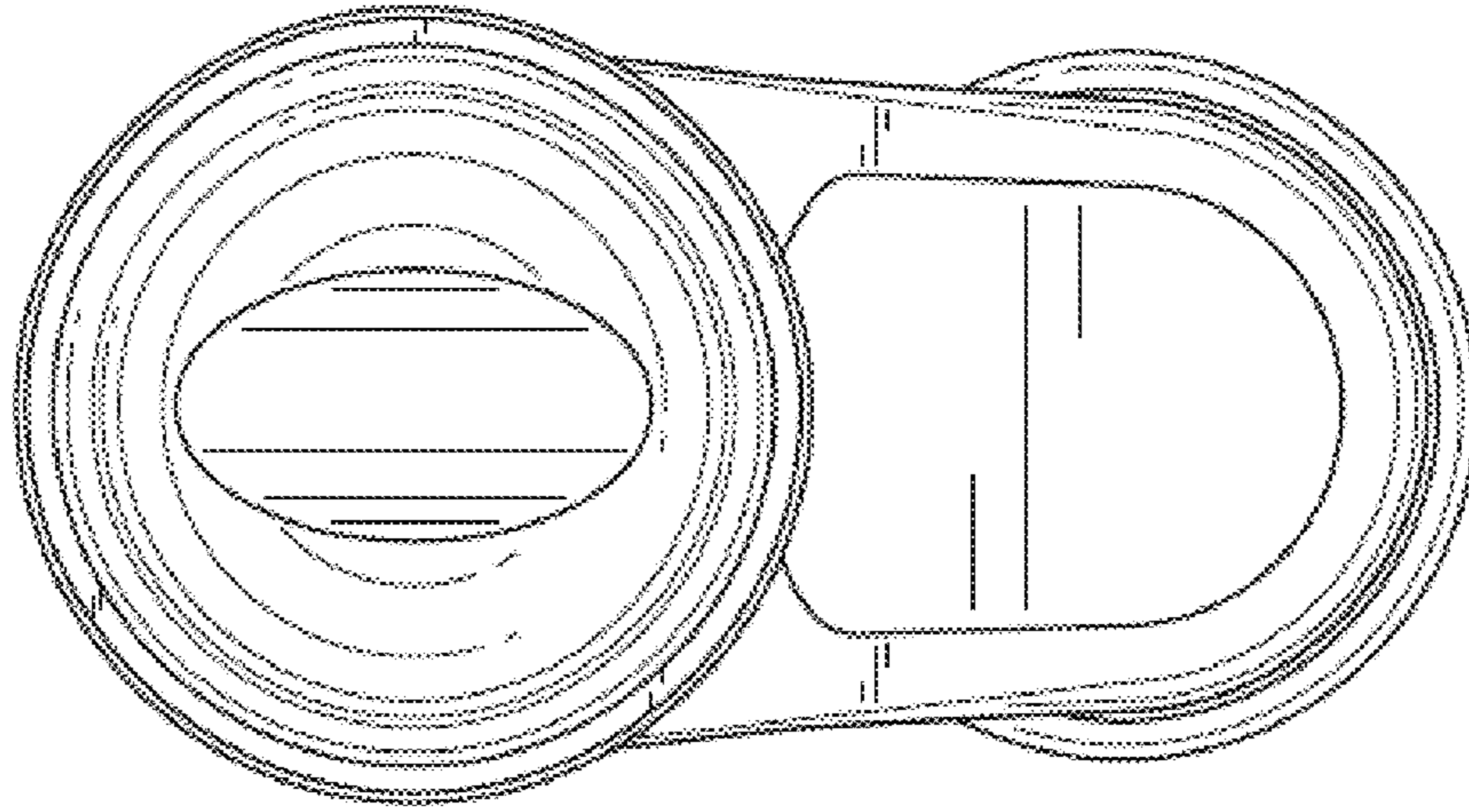


FIG. 6

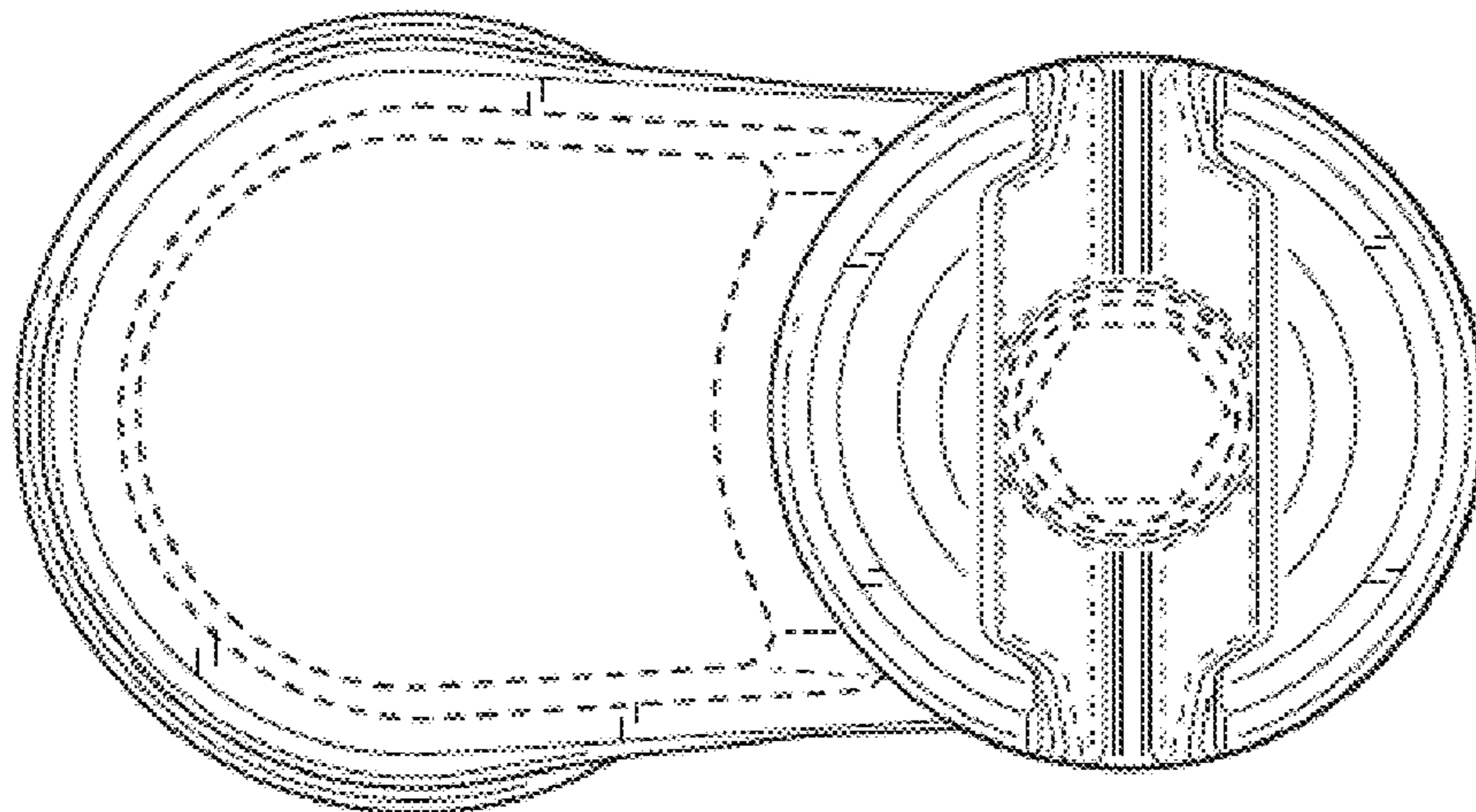


FIG. 7