



US00D822754S

(12) **United States Design Patent** (10) **Patent No.:** **US D822,754 S**
Fang (45) **Date of Patent:** **** Jul. 10, 2018**

(54) **SELFIE STICK**
(71) Applicant: **Guixiong Fang**, Guangdong (CN)
(72) Inventor: **Guixiong Fang**, Guangdong (CN)
(**) Term: **15 Years**
(21) Appl. No.: **29/608,867**
(22) Filed: **Jun. 26, 2017**

(30) **Foreign Application Priority Data**
Dec. 30, 2016 (CN) 2016 3 0660865
(51) **LOC (11) Cl.** **16-05**
(52) **U.S. Cl.**
USPC **D16/243**; D14/253; D14/226
(58) **Field of Classification Search**
USPC D16/219, 237-250; D14/224, 226, 229,
D14/238, 251, 253, 447, 451, 457;
D8/354, 355, 363, 373, 382, 383, 394,
D8/395, 396
CPC G03B 17/56; G03B 17/561-17/568; G02B
7/00-7/002; H04N 5/2253-5/2254; F16M
11/06-11/10; F16M 11/14; A45F 5/10
See application file for complete search history.

(56) **References Cited**
U.S. PATENT DOCUMENTS
D637,895 S * 5/2011 Quinlan D8/382
D765,650 S * 9/2016 Huang D14/253
D766,230 S * 9/2016 Shepard D14/253
D780,247 S * 2/2017 Anari, III D16/242
D780,248 S * 2/2017 Anari, III D16/242
D788,081 S * 5/2017 Austin-Smith D14/226
D796,482 S * 9/2017 Zheng D14/217
D799,465 S * 10/2017 Sukphist D14/253
9,800,786 B1 * 10/2017 Wei G03B 17/568
D812,126 S * 3/2018 Paterson D16/243
2009/0003822 A1 * 1/2009 Tyner F16M 11/32
396/428

2015/0261070 A1 * 9/2015 Feng G03B 17/561
396/421
2015/0346590 A1 * 12/2015 Lewis G03B 17/561
362/109
2016/0191755 A1 * 6/2016 Fromm H04N 5/2252
348/373
2017/0009802 A1 * 1/2017 Uke G03B 17/561
2017/0037995 A1 * 2/2017 Pan F16M 11/18
2017/0064176 A1 * 3/2017 Kim F16M 11/18
2017/0146892 A1 * 5/2017 Wei F16M 11/045
(Continued)

OTHER PUBLICATIONS

Original Xiaomi 2 in 1 Bluetooth Mini Extendable Folding Tripod Selfie Stick. [online] Published on Mar. 21, 2017. Retrieved Apr. 24, 2018 from URL: https://us.banggood.com/Wholesale-Warehouse-Original-Xiaomi-2-in-1-Mini-Extendable-Folding-Tripod-Wired-Selfie-Stick-For-Mobile-Phone-wp-Usa-1128242.html?rmmds=search.*

(Continued)

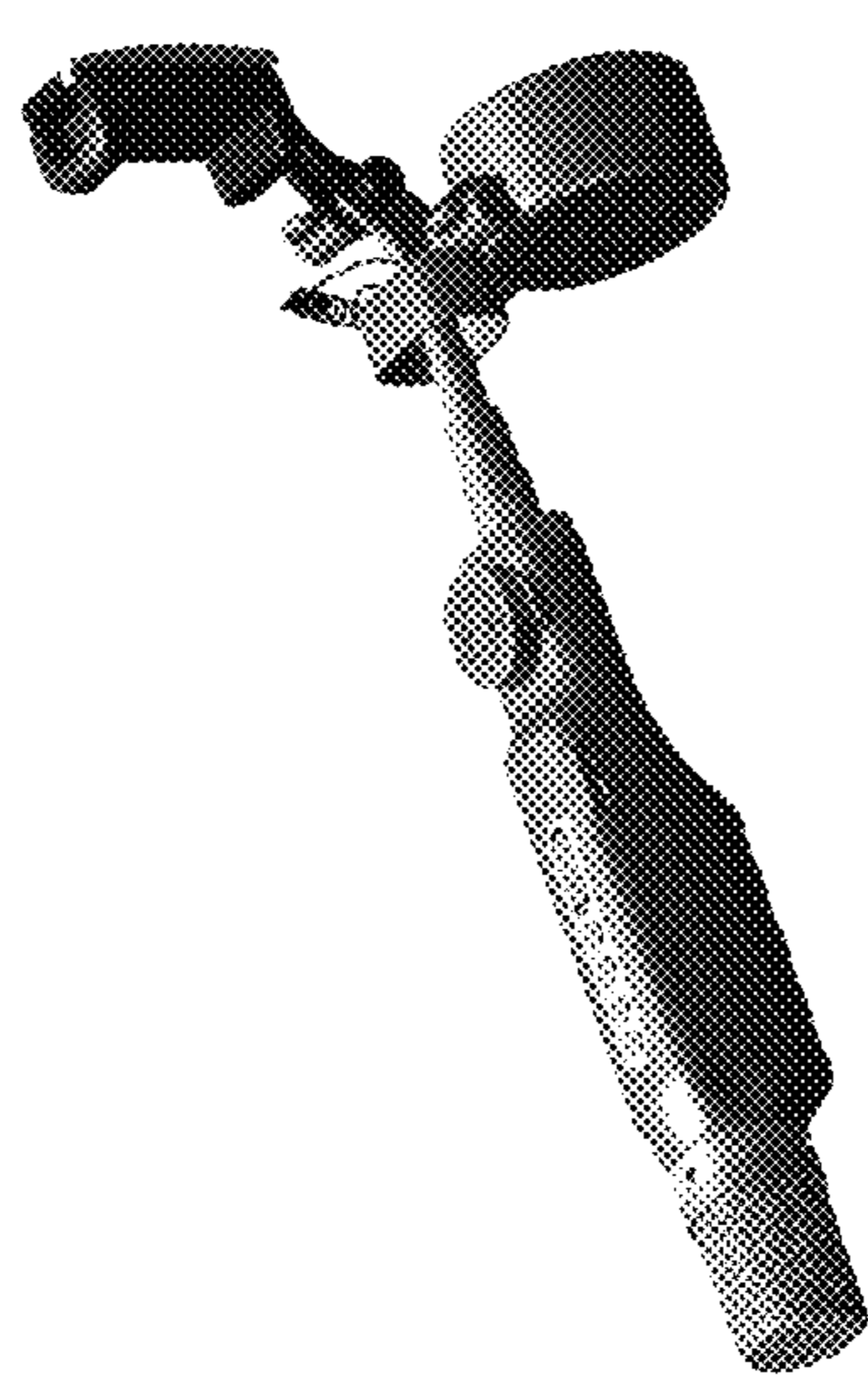
Primary Examiner — Vy N Koenig

(57) **CLAIM**
The ornamental design for a selfie stick, as shown and described.

DESCRIPTION

FIG. 1 is a front elevational view of a selfie stick showing my new design;
FIG. 2 is a rear elevational view thereof;
FIG. 3 is a left side view thereof;
FIG. 4 is a right side view thereof;
FIG. 5 is a top plan view thereof;
FIG. 6 is a bottom plan view thereof;
FIG. 7 is a first perspective view thereof;
FIG. 8 is a second perspective view showing the selfie stick in a use state; and,
FIG. 9 is a third perspective view showing the selfie stick in a use state.

1 Claim, 9 Drawing Sheets



(56)

References Cited

U.S. PATENT DOCUMENTS

2017/0241589 A1* 8/2017 Wang F16M 11/18
2017/0307136 A1* 10/2017 Wei G03B 17/561
2018/0031951 A1* 2/2018 Wang G03B 17/561
2018/0066792 A1* 3/2018 Chen F16M 11/10
2018/0073673 A1* 3/2018 Pan G05D 3/12

OTHER PUBLICATIONS

Lifetrans Photo Essentials Selfie Stick. [online] Published on Sep. 19, 2017. Retrieved Apr. 24, 2018 from URL: <https://lifetrans.ch/en/photo/3-photo-essentials-selfie-stick-4897018823679.html>.*

* cited by examiner



Fig. 1



Fig. 2



Fig. 3



Fig. 4

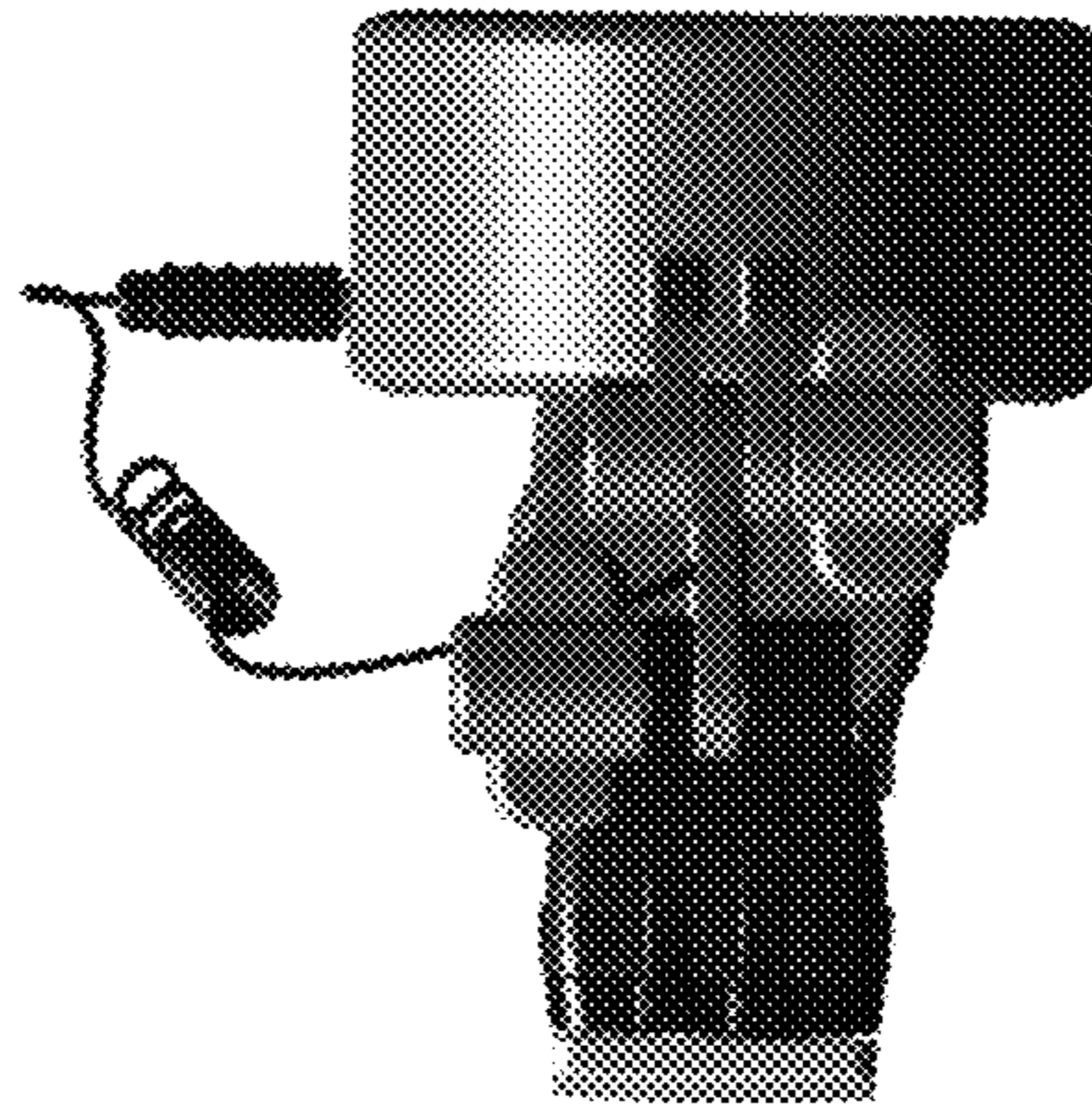


Fig. 5



Fig. 6



Fig. 7



Fig. 8

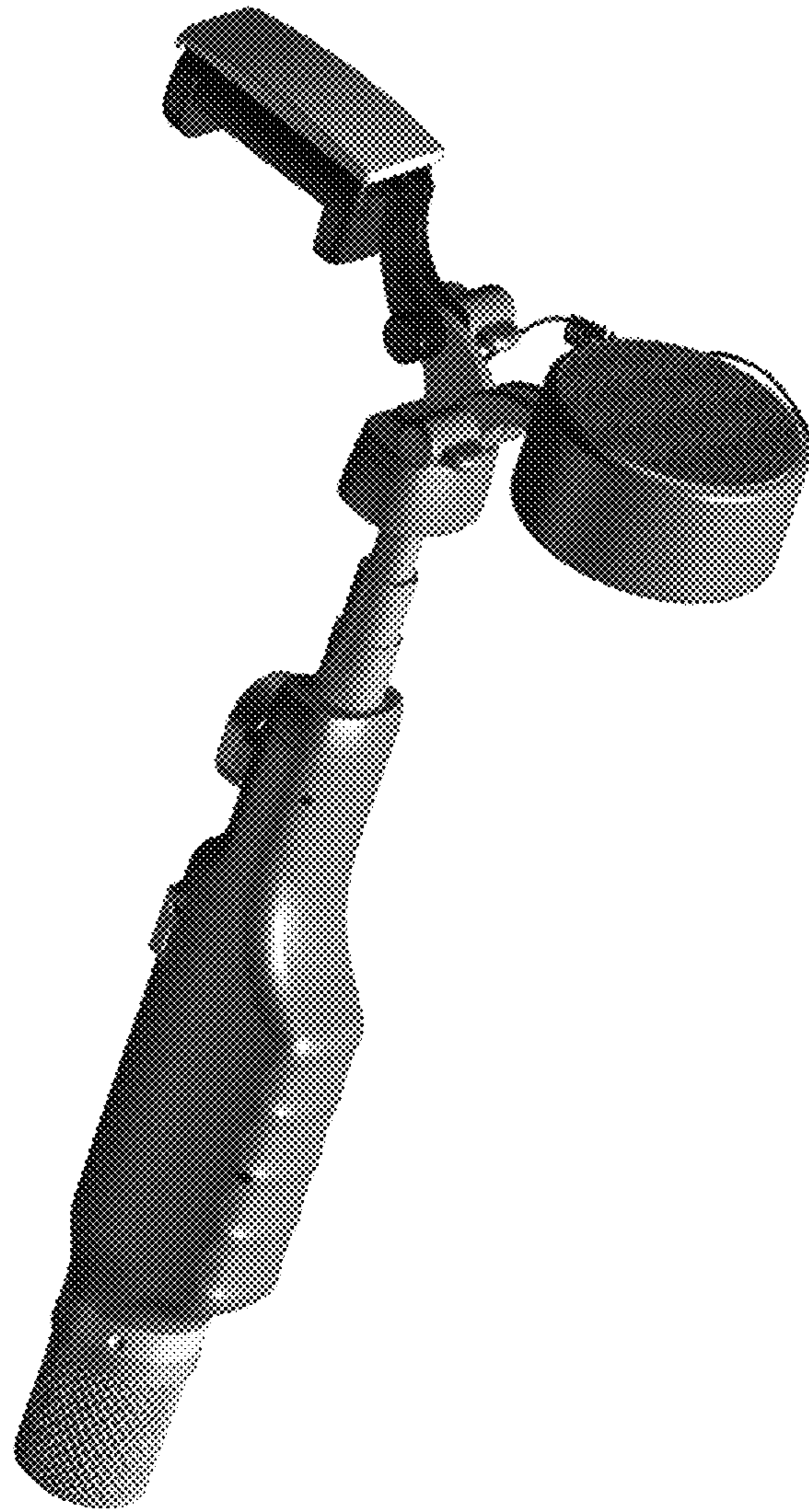


Fig. 9